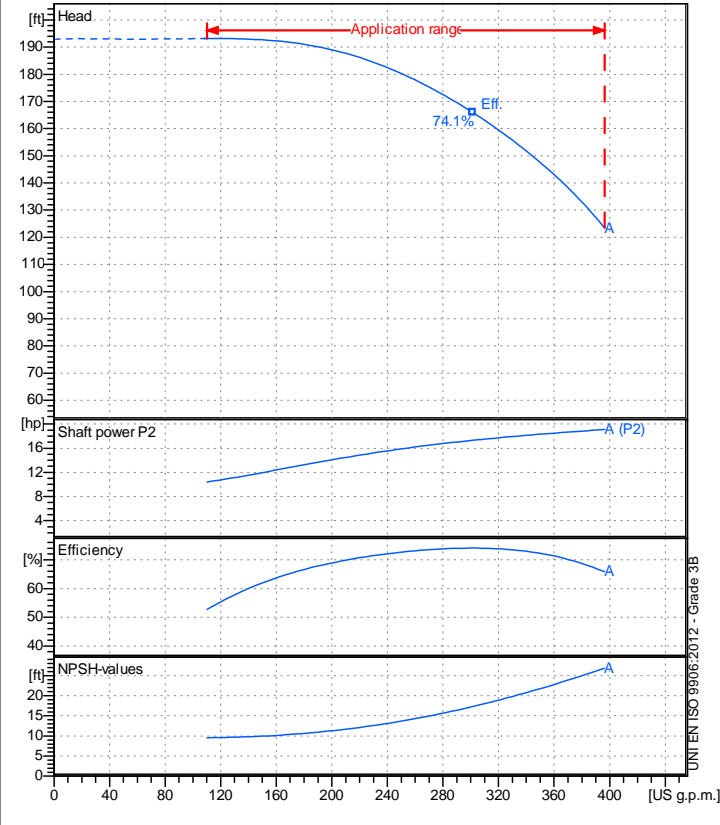


Company name
 Respons. Department
 Person in charge
 Phone number
 Fax no
 E-mail address

Receiver	From



Operating data specification

Nominal flow	US g.p.m. 0
Nominal head	ft 0
Static head	ft 0
NPSH - v value of plant	ft 0
Inlet pressure	psi 1.42
Fluid	Water, pure
Operating temperature t A	°F 68
Density at t A	lb/ft³ 62.32
Kin. viscosity at t A	ft²/s 1.082E-5

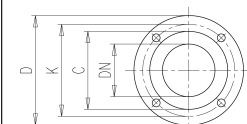
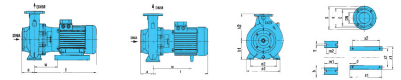
Pump		6MG2 50-160 A	
Pump name	6MG2 50-160 A		
Size	50/32/200		
Design			
Speed rpm	3600	No of stages	1
Impeller type			
Flow	Nominal	US g.p.m.	
	Max-	US g.p.m.	396
	Min-	US g.p.m.	110
Head	Nominal	ft	
	Max-	ft	193
	Min-	ft	123
Head H(Q=0)	ft 193		
NPSH 3%	ft		
Max. working pressure	psi 83.5		
Shaft power	hp		
Efficiency	%		
Max absorbed power	hp 19.081		

Materials Pump

Shaft	Stainless steel AISI 431 (1.4057)
Impeller	Cast iron EN-GJL-250
Pump body	Cast iron EN-GJL-250
Seal disc	Cast iron EN-GJL-250
Gasket	Natural fiber
Mechanical seal	BVEG (Grafito/Ossido Allumina/EPDM)

Dimensions in inch

a	4 ¹⁵ / ₁₆	z1	12 ⁹ / ₁₆
b	1 ¹⁵ / ₁₆	z2	10
d	14*4		
DNA	2 ⁹ / ₁₆		
DNM	1 ¹⁵ / ₁₆		
h1	7 ¹ / ₁₆		
h2	8 ⁷ / ₈		
l	39 ¹⁵ / ₁₆		
m1	3 ¹⁵ / ₁₆		
m2	2 ³ / ₄		
n1	10 ⁷ / ₁₆		
n2	8 ³ / ₈		
s	9 ⁹ / ₁₆		
w	13 ¹ / ₂		
x1	16 ¹ / ₈		
x2	14 ⁹ / ₁₆		



C	4	C	4 ¹³ / ₁₆
D	6 ¹ / ₂	D	7 ⁵ / ₁₆
DN	1 ¹⁵ / ₁₆	DN	2 ⁹ / ₁₆
K	4 ¹⁵ / ₁₆	K	5 ¹¹ / ₁₆
n°	3 ³ / ₁₆	n°	3 ³ / ₁₆
Øn	3 ³ / ₄	Øn	3 ³ / ₄

Motor	Frame size	160 M		
Manufacturer / Type	SAER	MEC160M-2P-15		
Rated power	hp	20.115	Efficiency 4/4	88.5 %
Electric current	A	24.7	Speed	rpm 3600
Electric voltage	V	460 V	3~	Hz 60
Starting mode	Unknown			
Degree of protection	IP 55	Insulation class	F	

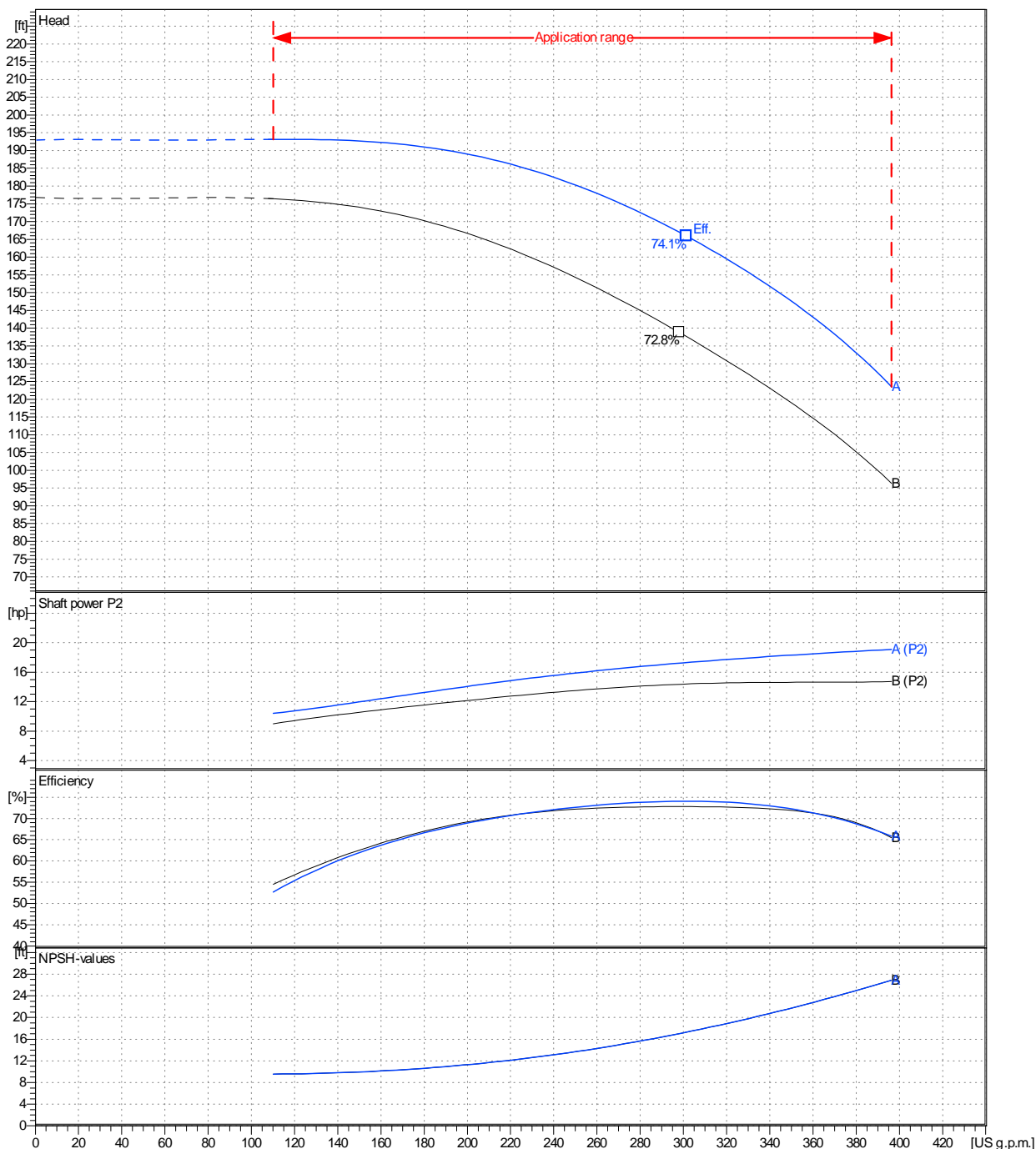
Remarks:				
Project	Project ID	Created by	Created on	Last update
			2022-09-16	

Receiver	From
Company name	
Respons. Department	
Person in charge	
Phone number	
Fax no	
E-mail address	

Operating area	Flow	Head	Impeller type
Operating data specification	0 US g.p.m.	0 ft	Impeller construction: Closed
Pump data	US g.p.m.	ft	Sense of rotation: Clockwise from the drive end
			Outlet width: DN 50
	Flow	Head	Speed
	Min. Max. η Max.	H(Q=0) η Max.	rpm 3600
	US g.p.m. US g.p.m. US g.p.m.	ft ft	Frequency Hz 60 Hz
	110 396 301	193 166	
		Shaft power P2	
		P2(Q=0) Max. η Max.	
		hp hp hp	
		19.1 17.3	

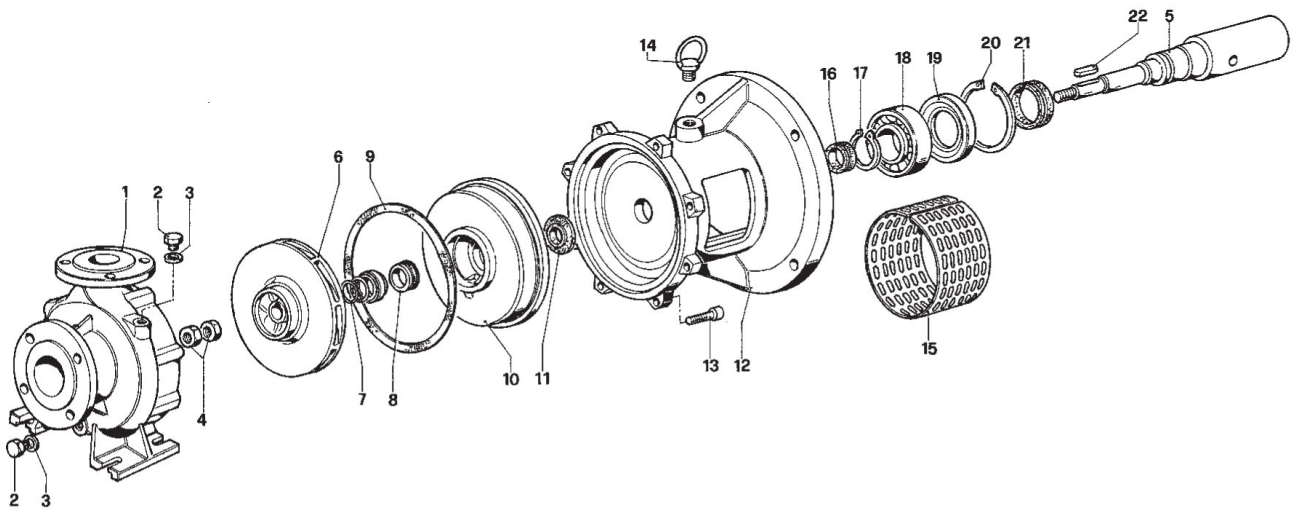
Performance data based to: Water, pure [100%]; 68°F; 62.3lb/ft³; 1.08E-5ft²/s

UNI EN ISO 9906:2012 - Grade 3B



Project	Project ID	Created by	Created on 2022-09-16	Last update
---------	------------	------------	---------------------------------	-------------

Company name
Respons. Department
Person in charge
Phone number
Fax no
E-mail address



Project	Project ID	Created by	Created on 2022-09-16	Last update
---------	------------	------------	---------------------------------	-------------