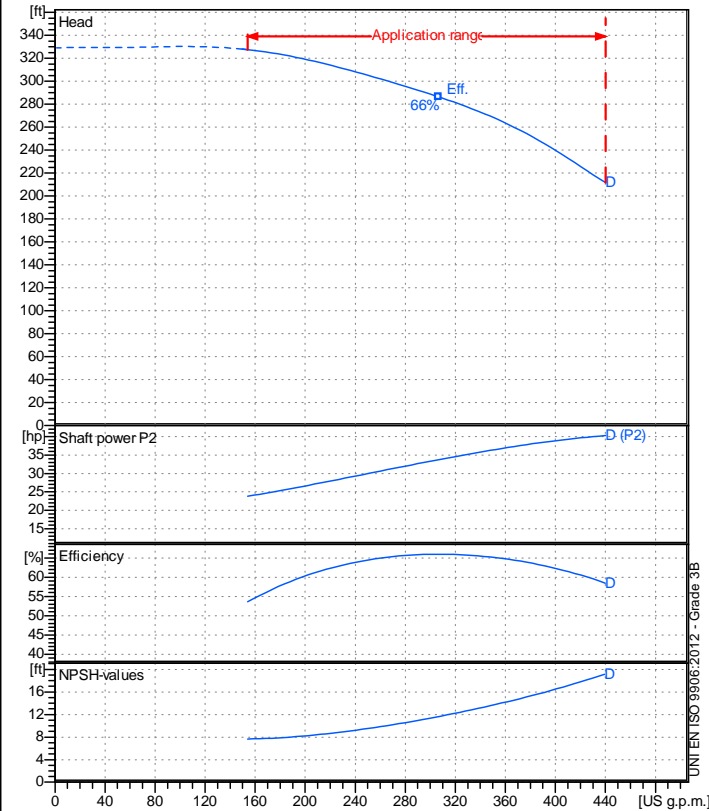


Receiver

From

 Company name
 Respons. Department
 Person in charge
 Phone number
 Fax no
 E-mail address

Operating data specification

Nominal flow	US g.p.m.	0
Nominal head	ft	0
Static head	ft	0
NPSH - v value of plant	ft	0
Inlet pressure	psi	1.42
Fluid		Water, pure
Operating temperature t A	°F	68
Density at t A	lb/ft³	62.32
Kin. viscosity at t A	ft²/s	1.082E-5

Pump

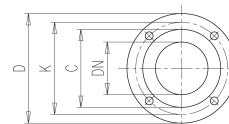
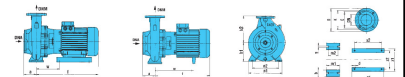
Pump name		6MG2 50-250N D	
Size		50/32/200	
Design			
Speed	rpm	3600	No of stages 1
Impeller type			
Flow	Nominal	US g.p.m.	
	Max-	US g.p.m.	440
	Min-	US g.p.m.	154
Head	Nominal	ft	
	Max-	ft	328
	Min-	ft	212
Head H(Q=0)		ft 329	
NPSH 3%		ft	
Max. working pressure		psi 142	
Shaft power		hp	
Efficiency		%	
Max absorbed power		hp 40.269	

Materials Pump

Shaft	Stainless steel AISI 431 (1.4057)		
Impeller	Cast iron EN-GJL-250		
Pump body	Cast iron EN-GJL-250		
Seal disc	Cast iron EN-GJL-250		
Gasket	Natural fiber		
Mechanical seal	BVEG (Grafito/Ossido Allumina/EPDM)		

Dimensions in inch

a	3 ¹⁵ / ₁₆	z1	15 ⁹ / ₁₆
b	2 ⁹ / ₁₆	z2	12 ¹ / ₂
d	14*4		
DNA	2 ⁹ / ₁₆		
DNM	1 ¹⁵ / ₁₆		
h1	7 ¹ / ₁₆		
h2	8 ⁷ / ₈		
l	39 ¹⁵ / ₁₆		
m1	4 ¹⁵ / ₁₆		
m2	3 ³ / ₄		
n1	12 ⁵ / ₈		
n2	9 ¹³ / ₁₆		
s	9 ⁹ / ₁₆		
w	17 ¹¹ / ₁₆		
x1	14 ³ / ₈		
x2	12		



C	4	C	4 ¹³ / ₁₆
D	6 ¹ / ₂	D	7 ⁵ / ₁₆
DN	1 ¹⁵ / ₁₆	DN	2 ⁹ / ₁₆
K	4 ¹⁵ / ₁₆	K	5 ¹¹ / ₁₆
n°	3 ⁹ / ₁₆	n°	3 ⁷ / ₁₆
ø n	3 ³ / ₄	ø n	3 ³ / ₄

Motor	Frame size	200 L		
Manufacturer / Type	SAER	MEC200L-2P-30		
Rated power	hp	40.231	Efficiency 4/4	90.2 %
Electric current	A	100/50	Speed	rpm 3600
Electric voltage	V	230/460 V	3~	Hz 60
Starting mode	Unknown			
Degree of protection	IP 55	Insulation class	F	

Remarks:

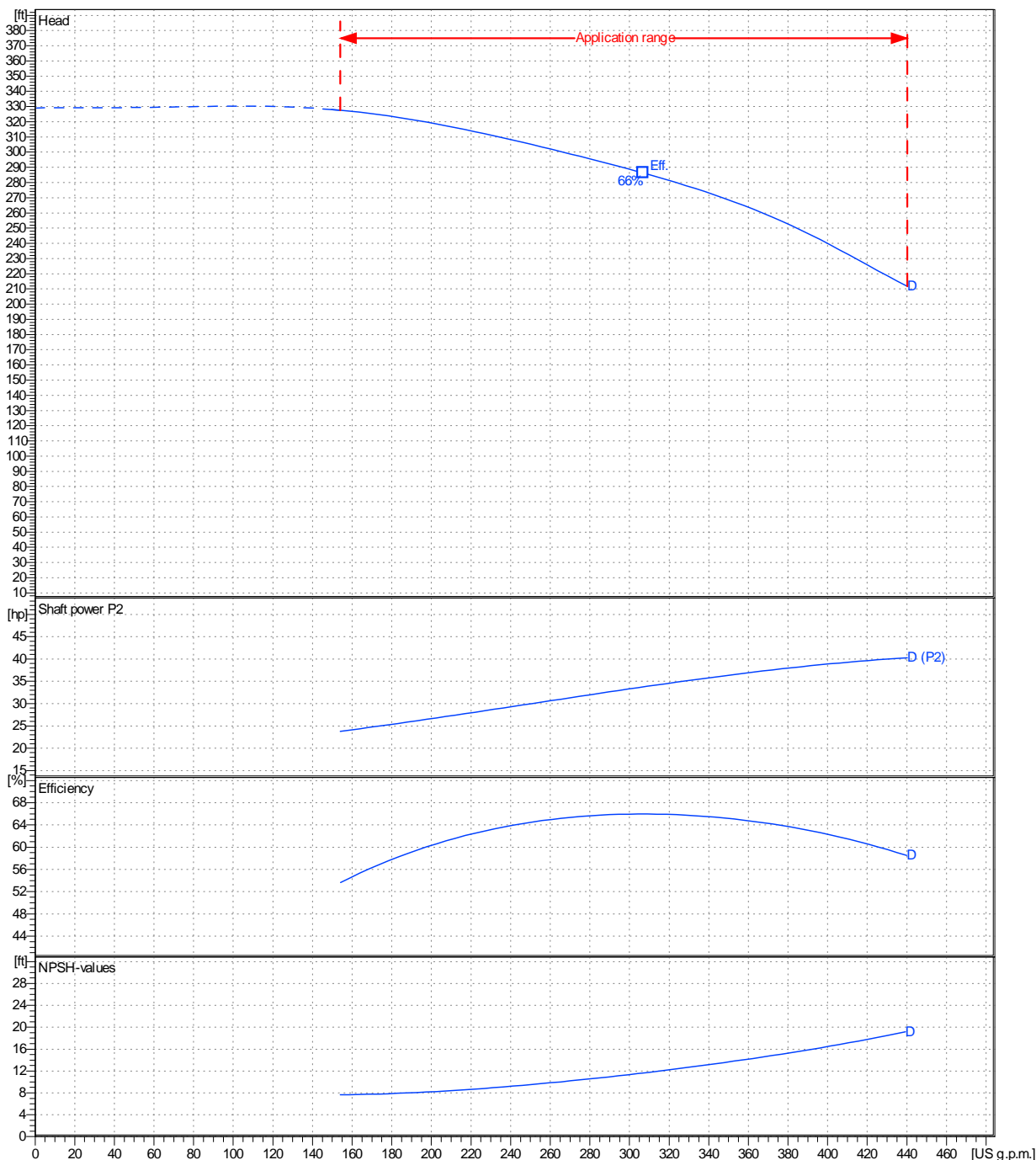
Project	Project ID	Created by	Created on	Last update
			2022-09-16	

Receiver	From
Company name Respons. Department Person in charge Phone number Fax no E-mail address	

Operating area	Flow	Head	Impeller type																																												
Operating data specification	0 US g.p.m.	0 ft	Impeller construction: Closed																																												
Pump data	US g.p.m.	ft	Sense of rotation: Clockwise from the drive end																																												
			Outlet width: DN 50																																												
	<table border="1" style="width: 100%; border-collapse: collapse;"> <tr> <th colspan="3">Flow</th> <th colspan="2">Head</th> <th colspan="3">Shaft power P2</th> <th>Speed</th> <th>rpm</th> <th>3600</th> </tr> <tr> <th>Min.</th> <th>Max.</th> <th>η Max.</th> <th>H(Q=0)</th> <th>η Max.</th> <th>P2(Q=0)</th> <th>Max.</th> <th>η Max.</th> <th>Frequency</th> <th>Hz</th> <th>60 Hz</th> </tr> <tr> <td>154</td> <td>440</td> <td>307</td> <td>329</td> <td>286</td> <td>hp</td> <td>hp</td> <td>hp</td> <td></td> <td></td> <td></td> </tr> <tr> <td>US g.p.m.</td> <td>US g.p.m.</td> <td>US g.p.m.</td> <td>ft</td> <td>ft</td> <td></td> <td></td> <td></td> <td></td> <td></td> <td></td> </tr> </table>	Flow			Head		Shaft power P2			Speed	rpm	3600	Min.	Max.	η Max.	H(Q=0)	η Max.	P2(Q=0)	Max.	η Max.	Frequency	Hz	60 Hz	154	440	307	329	286	hp	hp	hp				US g.p.m.	US g.p.m.	US g.p.m.	ft	ft								
Flow			Head		Shaft power P2			Speed	rpm	3600																																					
Min.	Max.	η Max.	H(Q=0)	η Max.	P2(Q=0)	Max.	η Max.	Frequency	Hz	60 Hz																																					
154	440	307	329	286	hp	hp	hp																																								
US g.p.m.	US g.p.m.	US g.p.m.	ft	ft																																											

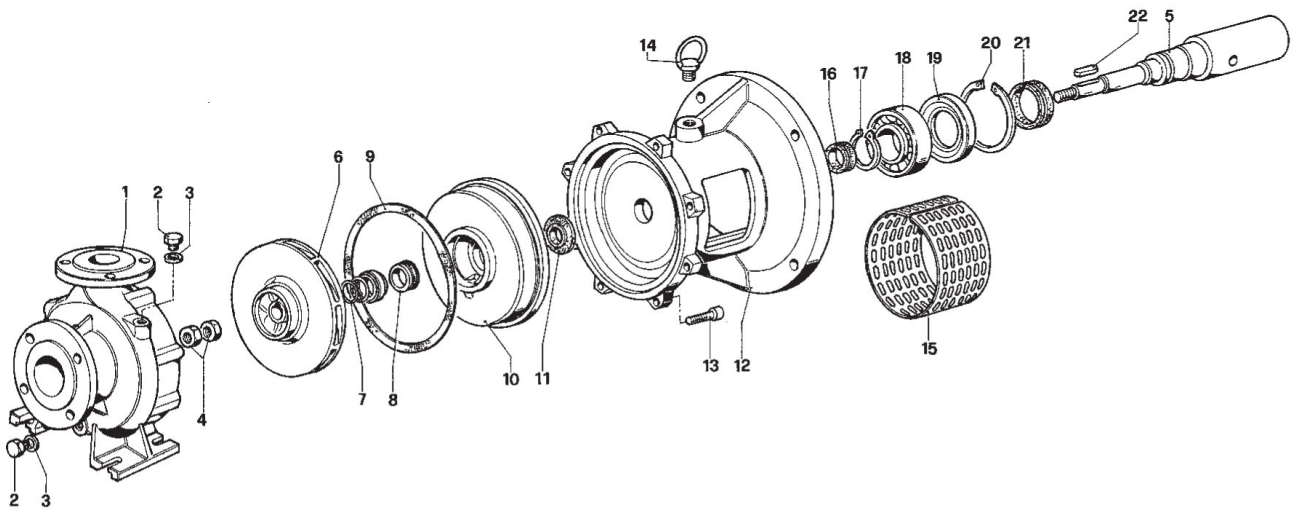
Performance data based to: Water, pure [100%]; 68°F; 62.3lb/ft³; 1.08E-5ft²/s

UNI EN ISO 9906:2012 - Grade 3B



Project	Project ID	Created by	Created on 2022-09-16	Last update
---------	------------	------------	---------------------------------	-------------

Company name
Respons. Department
Person in charge
Phone number
Fax no
E-mail address



Project

Project ID

Created by

Created on
2022-09-16

Last update