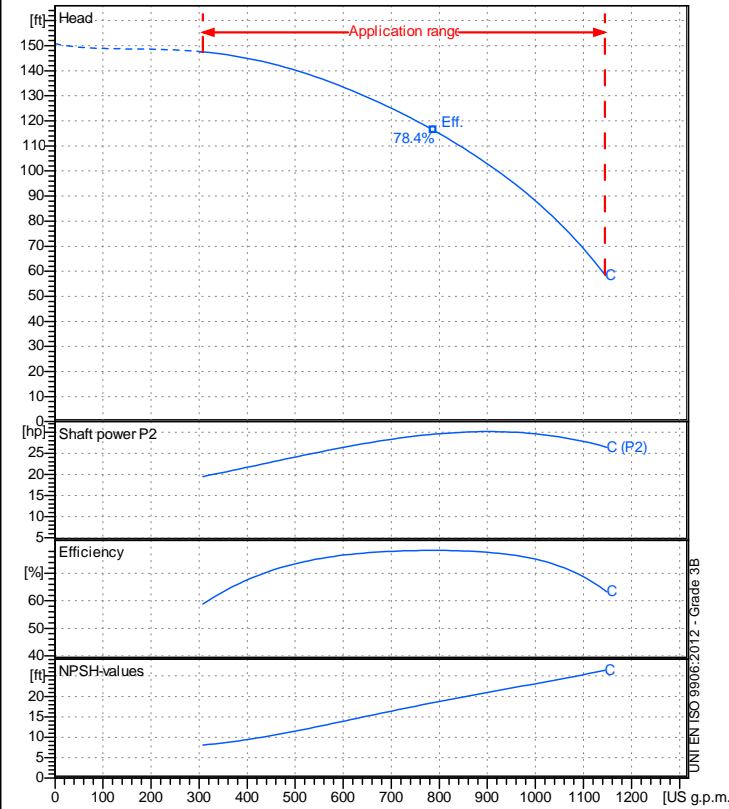


Receiver

From

 Company name  
 Respons. Department  
 Person in charge  
 Phone number  
 Fax no  
 E-mail address

**Operating data specification**

Nominal flow	US g.p.m.	0
Nominal head	ft	0
Static head	ft	0
NPSH - v value of plant	ft	0
Inlet pressure	psi	1.42
Fluid	Water, pure	
Operating temperature t A	°F	68
Density at t A	lb/ft <sup>3</sup>	62.32
Kin. viscosity at t A	ft <sup>2</sup> /s	1.082E-5

**Pump**

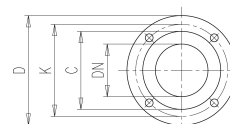
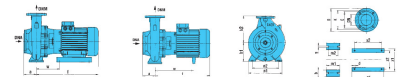
Pump name	6MGX2 80-160 C		
Size	50/32/200		
Design			
Speed rpm	3600	No of stages	1
Impeller type			
Flow	Nominal	US g.p.m.	
	Max-	US g.p.m.	1150
	Min-	US g.p.m.	308
Head	Nominal	ft	
	Max-	ft	148
	Min-	ft	58.2
Head H(Q=0)	ft	151	
NPSH 3%	ft		
Max. working pressure	psi	65.3	
Shaft power	hp		
Efficiency	%		
Max absorbed power	hp	30.142	

**Materials Pump**

Shaft	Duplex Stainless steel (1.4362)
Impeller	Precision cast Stainless steel AISI 316 (1.4408)
Pump body	Cast Stainless steel AISI 316 (1.4408)
Seal disc	Cast Stainless steel AISI 316 (1.4408)
Gasket	Natural fiber
Mechanical seal	Q1Q1VG (SiC/SiC/FPM)

**Dimensions in inch**

a	4 <sup>15</sup> / <sub>16</sub>	z1	10 <sup>1</sup> / <sub>4</sub>
b	2 <sup>9</sup> / <sub>16</sub>	z2	8 <sup>1</sup> / <sub>2</sub>
d	14*4		
DNA	3 <sup>15</sup> / <sub>16</sub>		
DNM	3 <sup>1</sup> / <sub>8</sub>		
h1	7 <sup>1</sup> / <sub>16</sub>		
h2	8 <sup>7</sup> / <sub>8</sub>		
l	42 <sup>5</sup> / <sub>16</sub>		
m1	4 <sup>15</sup> / <sub>16</sub>		
m2	3 <sup>3</sup> / <sub>4</sub>		
n1	12 <sup>5</sup> / <sub>8</sub>		
n2	9 <sup>13</sup> / <sub>16</sub>		
s	9 <sup>9</sup> / <sub>16</sub>		
w	17 <sup>15</sup> / <sub>16</sub>		
x1	12 <sup>5</sup> / <sub>8</sub>		
x2	11		



C	5 <sup>7</sup> / <sub>16</sub>	C	6 <sup>1</sup> / <sub>4</sub>
D	7 <sup>7</sup> / <sub>8</sub>	D	8 <sup>11</sup> / <sub>16</sub>
DN	3 <sup>1</sup> / <sub>8</sub>	DN	3 <sup>15</sup> / <sub>16</sub>
K	6 <sup>9</sup> / <sub>16</sub>	K	7 <sup>1</sup> / <sub>16</sub>
n°	3 <sup>9</sup> / <sub>16</sub>	n°	5 <sup>9</sup> / <sub>16</sub>
Øn	3 <sup>3</sup> / <sub>4</sub>	Øn	3 <sup>3</sup> / <sub>4</sub>

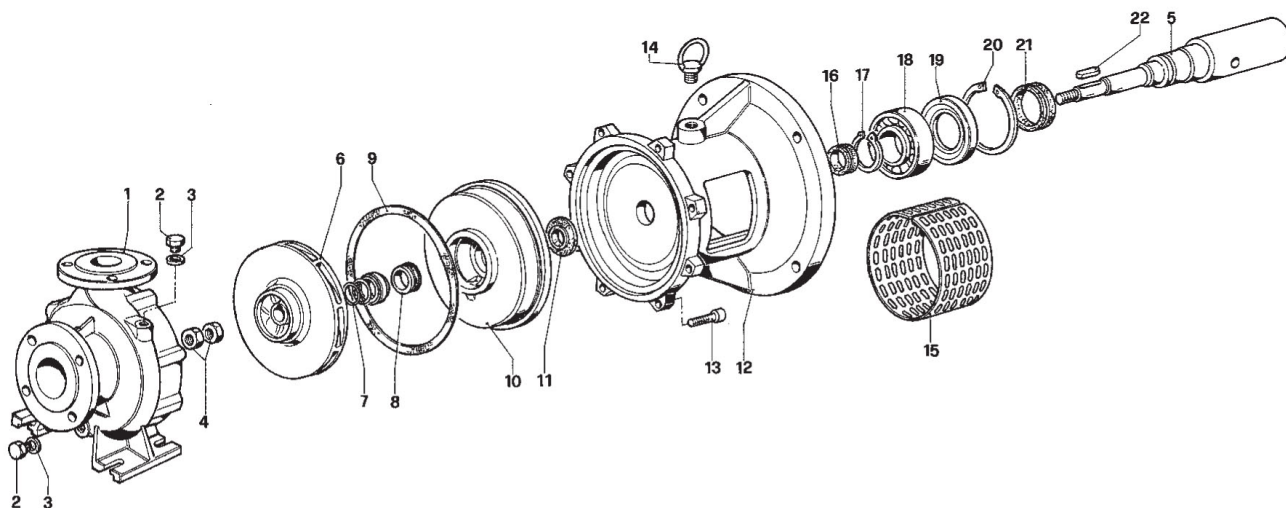
<b>Motor</b>	Frame size	180 M		
Manufacturer / Type	SAER	MEC180M-2P-22		
Rated power	hp	29.502	Efficiency 4/4	89.5 %
Electric current	A	35	Speed rpm	3600
Electric voltage	V	460 V	3~ Hz	60
Starting mode	Unknown			
Degree of protection	IP 55	Insulation class	F	

Remarks:

Project	Project ID	Created by	Created on	Last update
			2022-09-16	



Company name  
Respons. Department  
Person in charge  
Phone number  
Fax no  
E-mail address

Project

Project ID

Created by

Created on  
**2022-09-16**

Last update