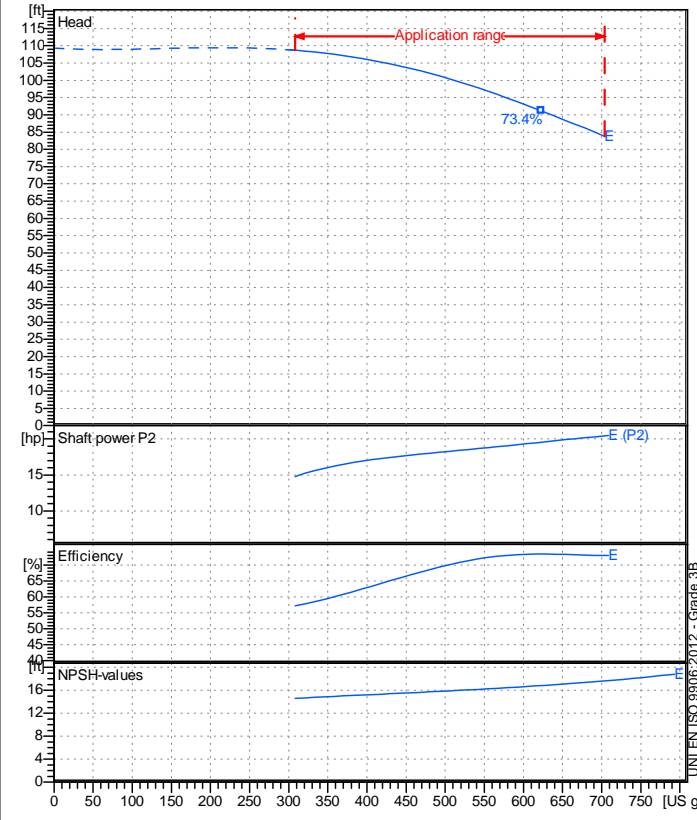


Company name
 Respons. Department
 Person in charge
 Phone number
 Fax no
 E-mail address

Receiver	From



Operating data specification

Nominal flow	US g.p.m. 0
Nominal head	ft 0
Static head	ft 0
NPSH - v value of plant	ft 0
Inlet pressure	psi 1.42
Fluid	Water, pure
Operating temperature t A	°F 68
Density at t A	lb/ft³ 62.32
Kin. viscosity at t A	ft²/s 1.082E-5

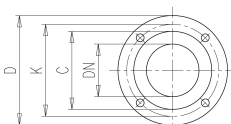
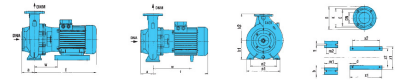
Pump		6MGX2 80-160 E	
Pump name	6MGX2 80-160 E		
Size	50/32/200		
Design			
Speed rpm	3600	No of stages	1
Impeller type			
Flow	Nominal	US g.p.m.	
	Max-	US g.p.m. 704	
	Min-	US g.p.m. 308	
Head	Nominal	ft	
	Max-	ft 109	
	Min-	ft 83.8	
Head H(Q=0)	ft 109		
NPSH 3%	ft		
Max. working pressure	psi 47.3		
Shaft power	hp		
Efficiency	%		
Max absorbed power	hp 20.47		

Materials Pump

Shaft	Duplex Stainless steel (1.4362)
Impeller	Precision cast Stainless steel AISI 316 (1.4408)
Pump body	Cast Stainless steel AISI 316 (1.4408)
Seal disc	Cast Stainless steel AISI 316 (1.4408)
Gasket	Natural fiber
Mechanical seal	Q1Q1VG (SiC/SiC/FPM)

Dimensions in inch

a	4 ¹⁵ / ₁₆	z1	12 ⁹ / ₁₆
b	2 ⁹ / ₁₆	z2	10
d	14*4		
DNA	3 ¹⁵ / ₁₆		
DNM	3 ¹ / ₈		
h1	7 ¹ / ₁₆		
h2	8 ⁷ / ₈		
l	38 ³ / ₄		
m1	4 ¹⁵ / ₁₆		
m2	3 ³ / ₄		
n1	12 ⁵ / ₈		
n2	9 ¹³ / ₁₆		
s	9 ⁹ / ₁₆		
w	13 ¹¹ / ₁₆		
x1	16 ¹ / ₈		
x2	14 ⁹ / ₁₆		



C	5 ⁷ / ₁₆	C	6 ¹ / ₄
D	7 ⁷ / ₈	D	8 ¹¹ / ₁₆
DN	3 ³ / ₈	DN	3 ⁹ / ₁₆
K	6 ⁵ / ₁₆	K	7 ¹ / ₁₆
n°	3 ³ / ₁₆	n°	5 ⁵ / ₁₆
Øn	3 ³ / ₄	Øn	3 ³ / ₄

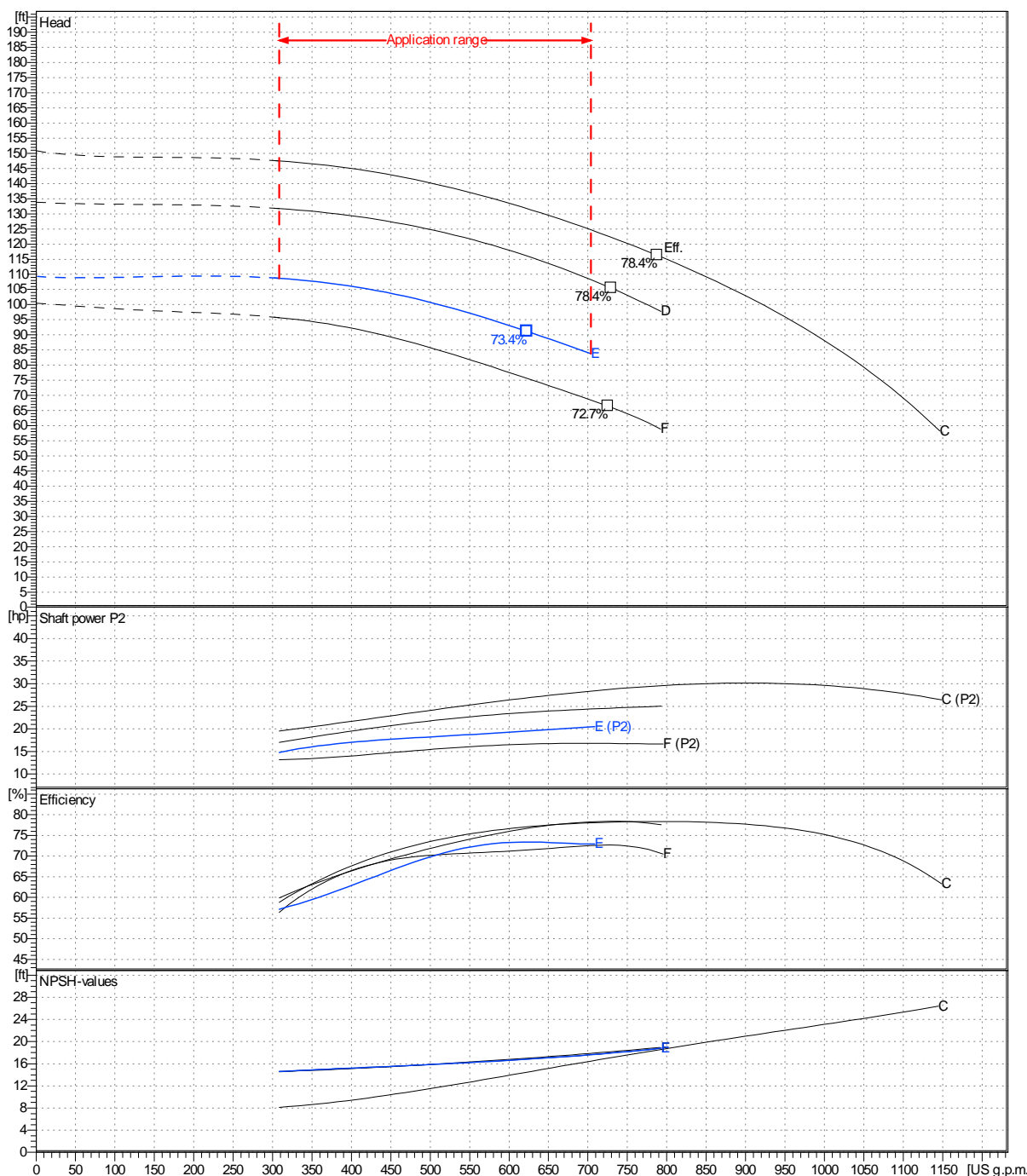
Motor	Frame size	160 M		
Manufacturer / Type	SAER	MEC160M-2P-15		
Rated power	hp	20.115	Efficiency 4/4	88.5 %
Electric current	A	24.7	Speed rpm	3600
Electric voltage	V	460 V	3~ Hz	60
Starting mode	Unknown			
Degree of protection	IP 55	Insulation class	F	

Remarks:		Project ID	Created by	Created on	Last update
				2022-09-19	

Receiver		From	
Company name			
Respons. Department			
Person in charge			
Phone number			
Fax no			
E-mail address			
Operating area	Flow	Head	Impeller type
Operating data specification	0 US g.p.m.	0 ft	Impeller construction
			Sense of rotation
Pump data	US g.p.m.	ft	Outlet width
			DN 80
	Flow	Head	Shaft power P2
	Min. Max. η Max.	H(Q=0) η Max.	P2(Q=0) Max. η Max.
	US g.p.m. US g.p.m. US g.p.m.	ft ft	hp hp hp
	308 704 623	109 91.2	20.5 19.5
			Speed rpm 3600
			Frequency Hz 60 Hz

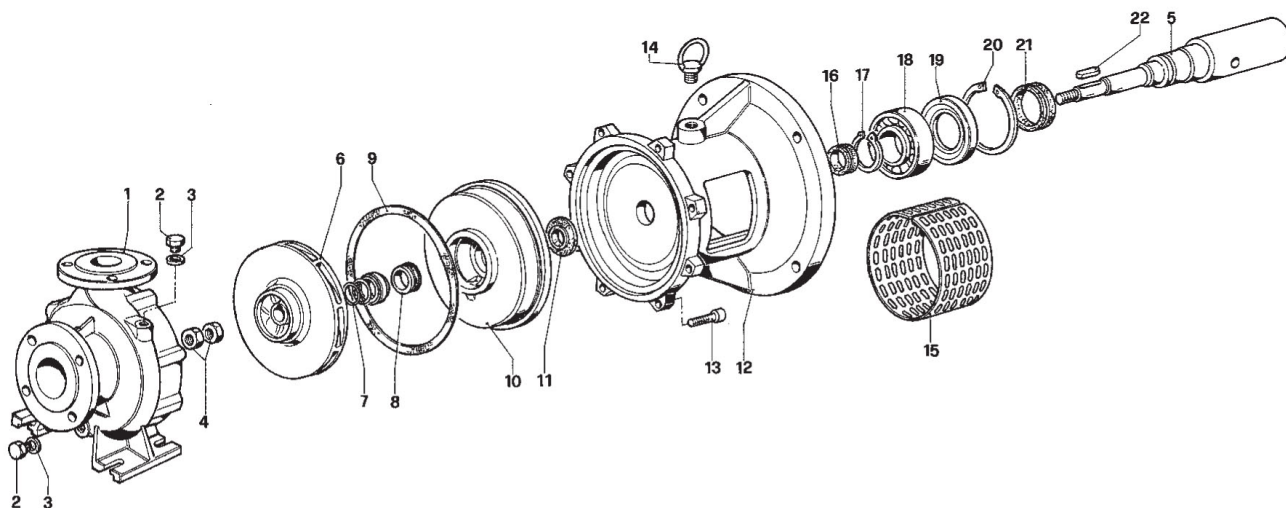
 Performance data based to: Water, pure [100%]; 68°F; 62.3lb/ft³; 1.08E-5ft²/s

UNI EN ISO 9906:2012 - Grade 3B



Project	Project ID	Created by	Created on	Last update
			2022-09-19	

Company name
Respons. Department
Person in charge
Phone number
Fax no
E-mail address



Project

Project ID

Created by

Created on
2022-09-19

Last update