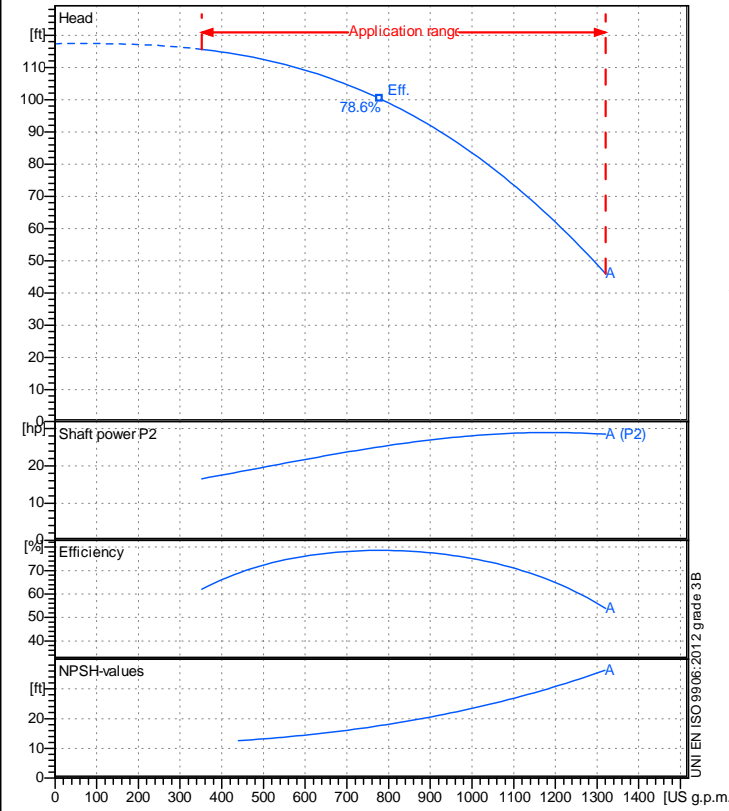


Receiver

From

 Company name
 Respons. Department
 Person in charge
 Phone number
 Fax no
 E-mail address

Operating data specification

Nominal flow	US g.p.m.	0
Nominal head	ft	0
Static head	ft	0
NPSH - v value of plant	ft	0
Inlet pressure	psi	1.42
Fluid		Water, pure
Operating temperature t A	°F	68
Density at t A	lb/ft³	62.32
Kin. viscosity at t A	ft²/s	1.082E-5

Pump

Pump name	6GM4-4P 100-250A		
Size	100/80/200		
Design			
Speed rpm	1800	No of stages	1
Impeller type			
Flow	Nominal	US g.p.m.	
	Max-	US g.p.m.	1320
	Min-	US g.p.m.	352
Head	Nominal	ft	
	Max-	ft	116
	Min-	ft	45.9
Head H(Q=0)	ft	117	
NPSH 3%	ft		
Max. working pressure	psi	50.8	
Shaft power	hp		
Efficiency	%		
Max absorbed power	hp	28.961	

Materials Pump

Shaft	Stainless steel AISI 431 (1.4057)
Impeller	Cast iron EN-GJL-250
Pump body	Cast iron EN-GJL-250
Seal disc	Cast iron EN-GJL-250
Gasket	Natural fiber
Mechanical seal	BVEG (Grafite/Ossido Allumina/EPDM)

Motor	Frame size	180 L		
Manufacturer / Type	SAER	MEC180L-4P-22		
Rated power	hp	29.502	Efficiency 4/4	87 %
Electric current	A	36.5 A	Speed	rpm 1800
Electric voltage	V	460V	3~	Hz 60
Starting mode	Unknown			
Degree of protection	IP 55	Insulation class	F	

Remarks:

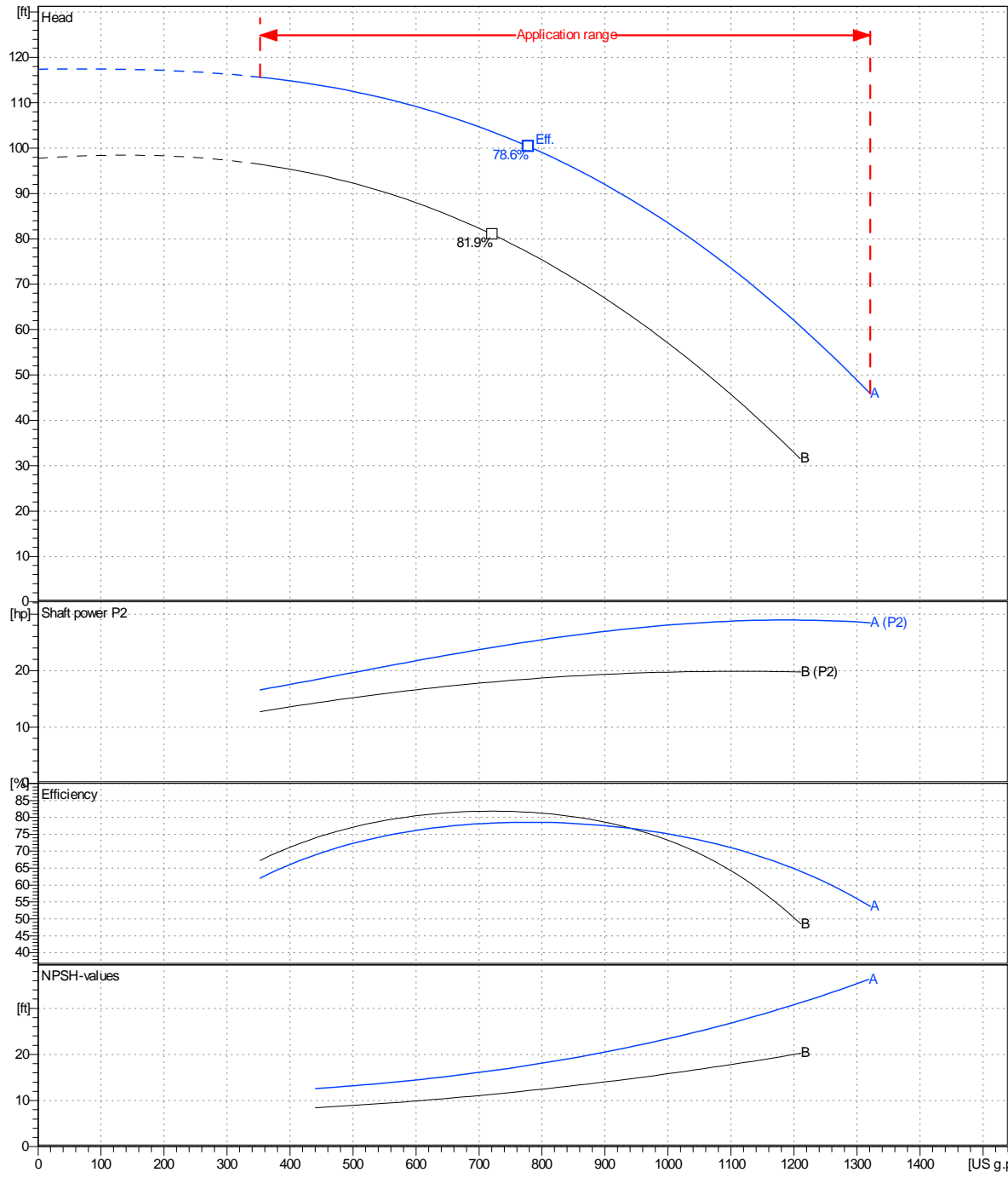
Project	Project ID	Created by	Created on	Last update
			2022-09-26	

Receiver	From

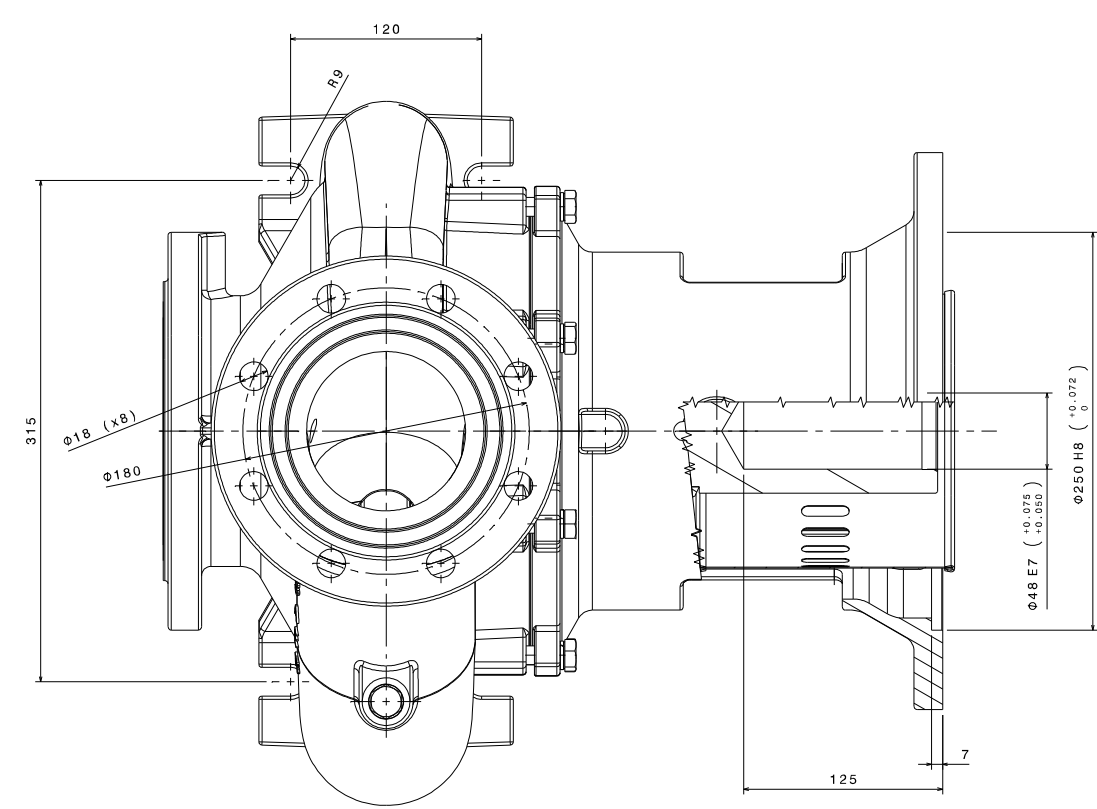
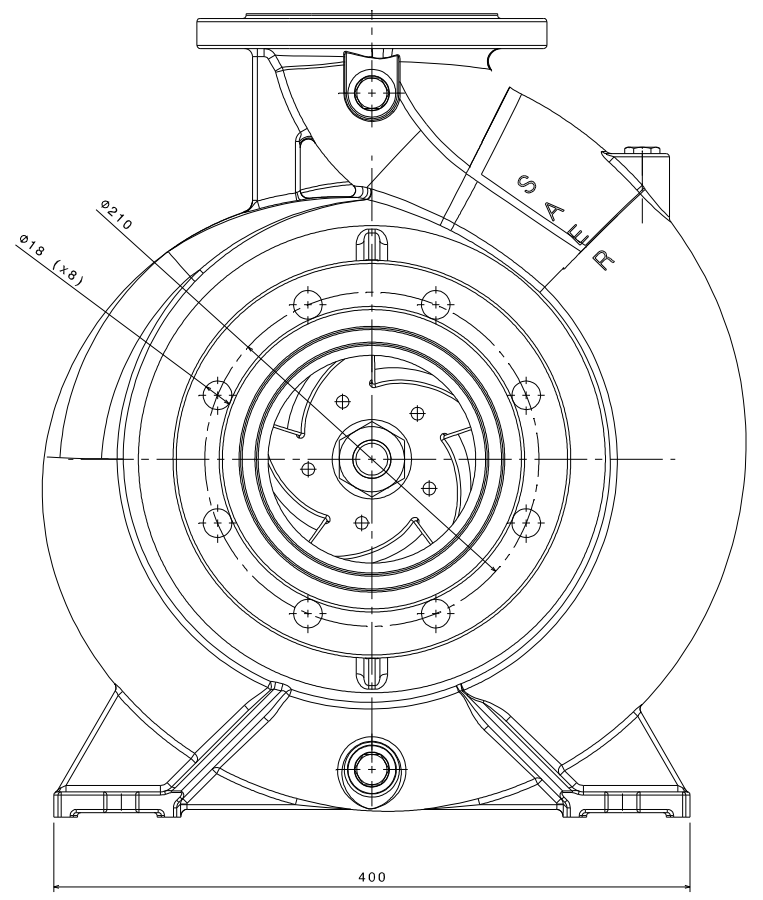
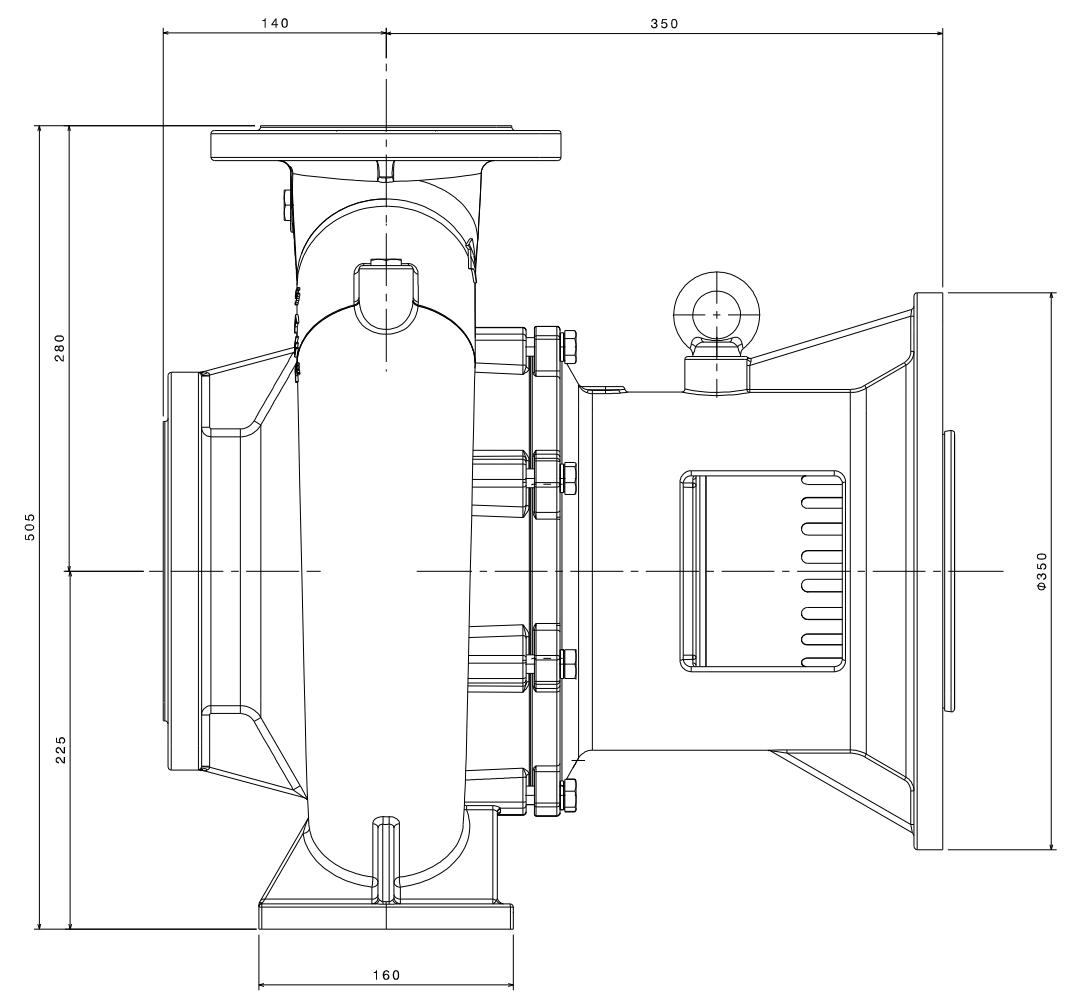
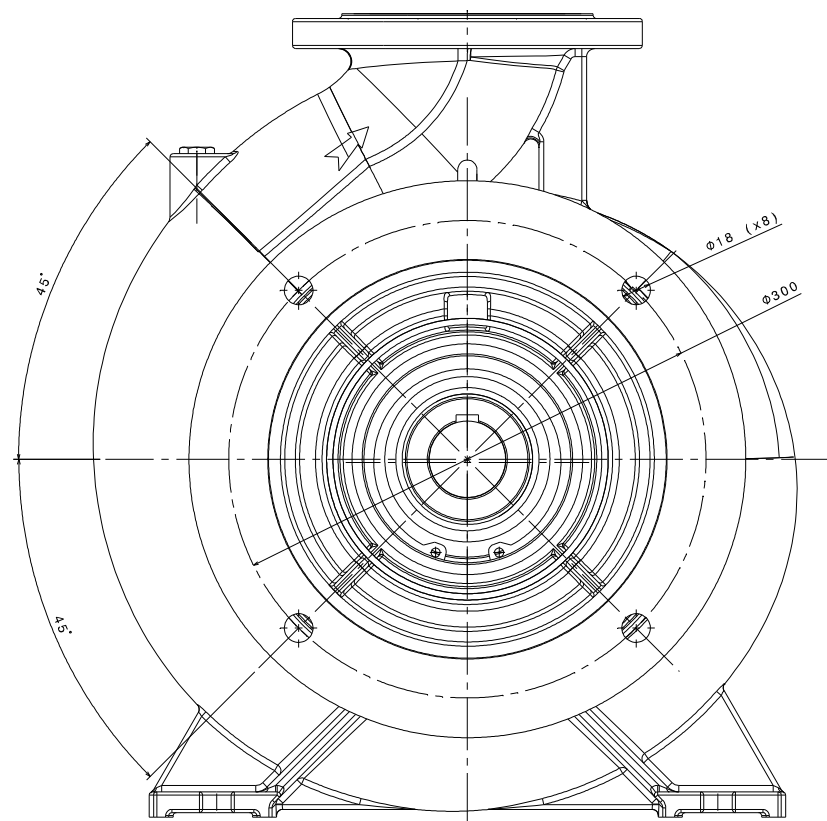
Company name
 Respons. Department
 Person in charge
 Phone number
 Fax no
 E-mail address

Operating area	Flow	Head	Impeller type
Operating data specification	0 US g.p.m.	0 ft	Impeller construction Closed
Pump data	US g.p.m.	ft	Sense of rotation Clockwise f from the drive end
			Outlet width DN 100
	Flow	Head	Speed rpm 1800
	Min. Max. η Max.	H(Q=0) η Max.	Frequency Hz 60 Hz
	US g.p.m. US g.p.m. US g.p.m.	ft ft	
	352 1320 779	117 100	
		Shaft power P2	
		P2(Q=0) Max. η Max.	
		hp hp hp	
		29 25.1	

Performance data based to: Water, pure [100%]; 68°F; 62.3lb/ft³; 1.08E-5ft²/s UNI EN ISO 9906:2012 - Grade 3B



Project	Project ID	Created by	Created on 2022-09-26	Last update
---------	------------	------------	---------------------------------	-------------



MATERIALE		TRATTAMENTO TERMICO		SCALA	
DESIGNATO DG	DATA 16-07-2021	QUOTI ESTERNA TOLLEMANZA Secondo ISO 2768-m	RAGGI NON QUOTATI	3.5	
APPROVATO	DATA	SMISURE NON QUOTATE			
DESCRIZIONE COMPLESSIVO MG1 100-250		PESO GREZZO	PESO FINITO		
MEC 180		GRUPPO MG1 100-250			
CODICE		GRUPPO PZ047A004	VERSIONE 00		
Proprietà della SAER ELETTROPOMPE S.p.A. - Senza autorizzazione scatta della stessa, il presente disegno non potrà essere utilizzato per la costruzione di progetti rappresentati, né venire comunicato a terzi o riprodotti. La società applica i limiti precisi di cui a riga di legge.			All proprietary rights reserved by SAER ELETTROPOMPE S.p.A. - This drawing shall not be reproduced, or in any way utilized, for the manufacture of the equipment or unit herein illustrated and must not be released to other parties, without written consent. Any infringement will be legally pursued.		