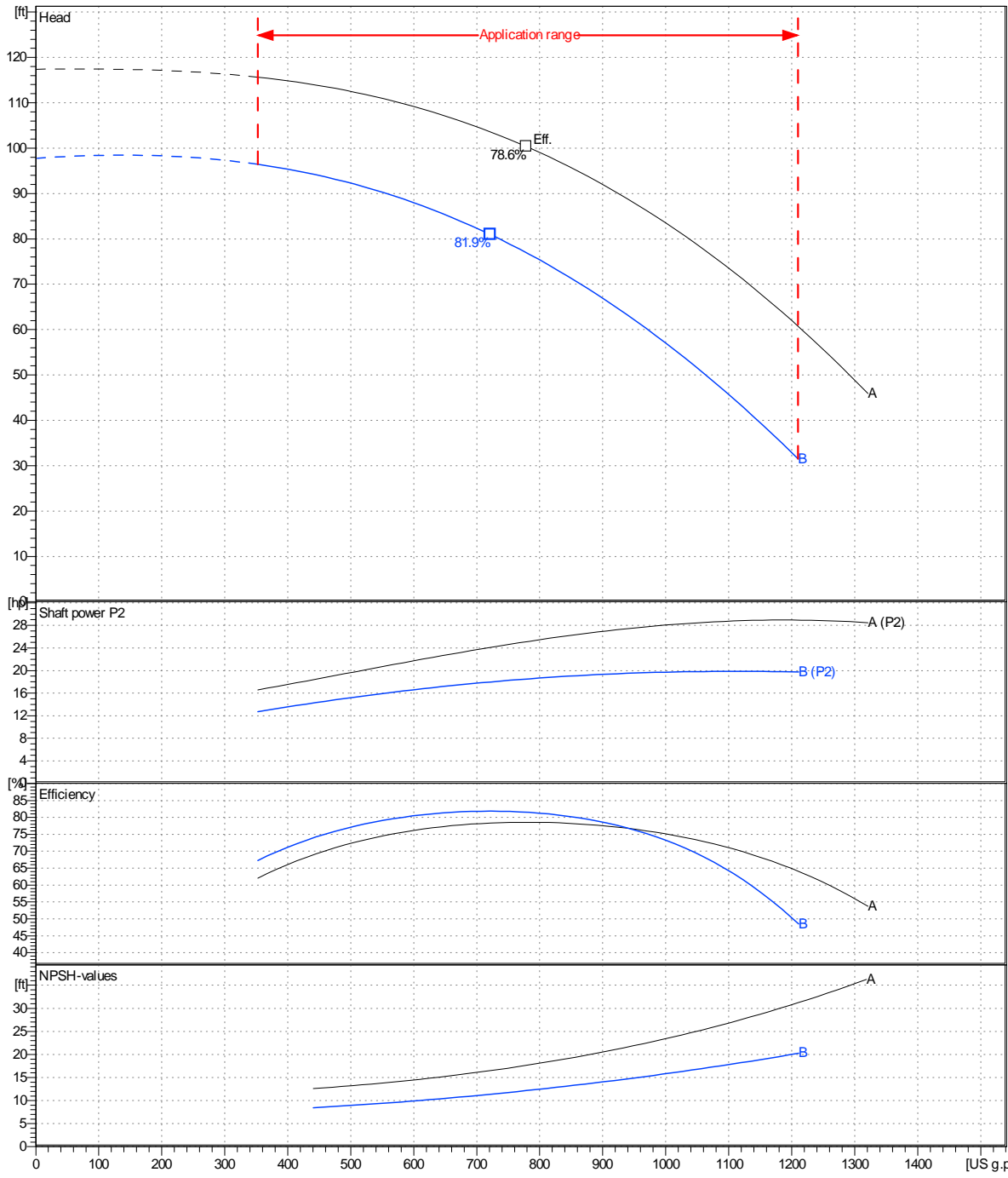


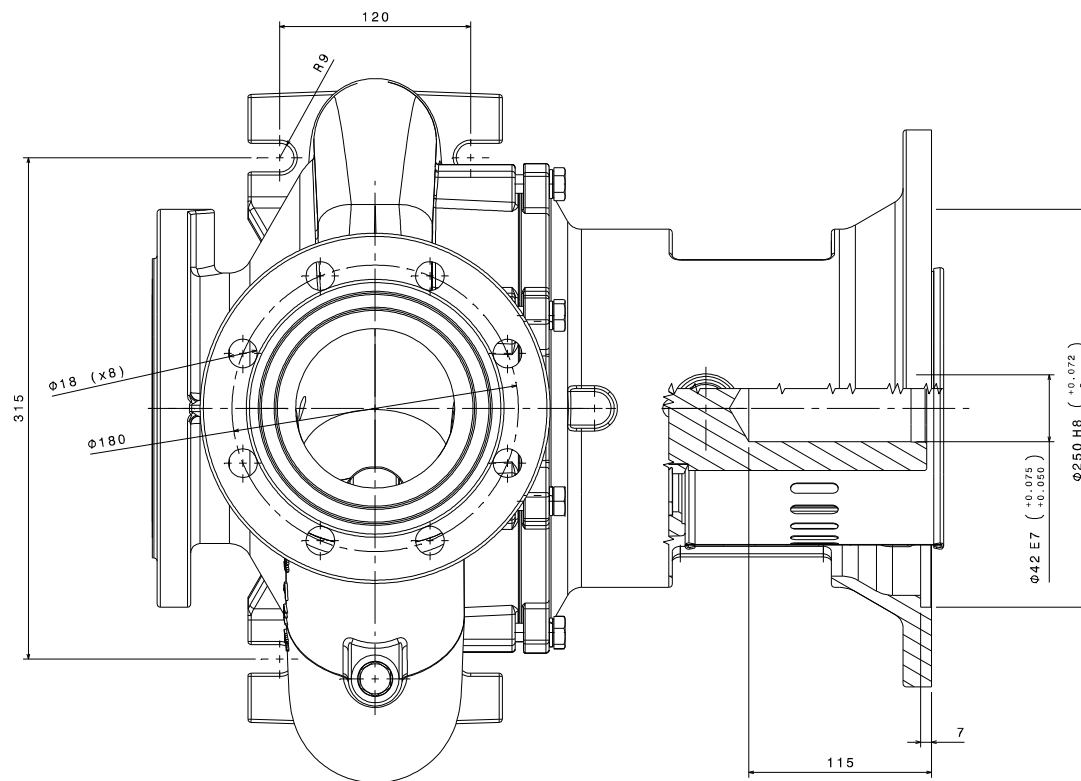
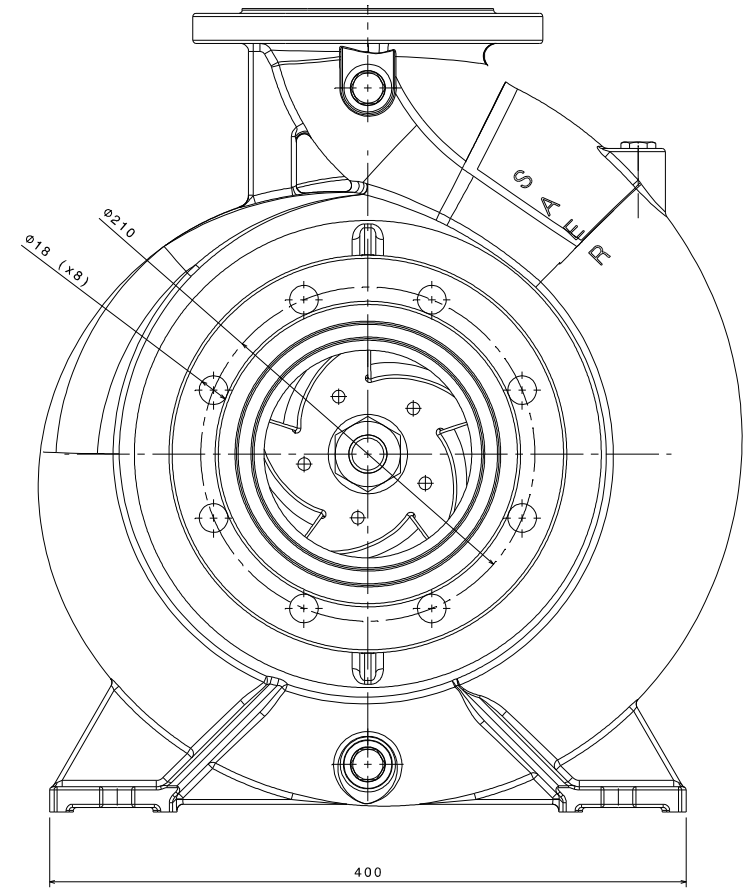
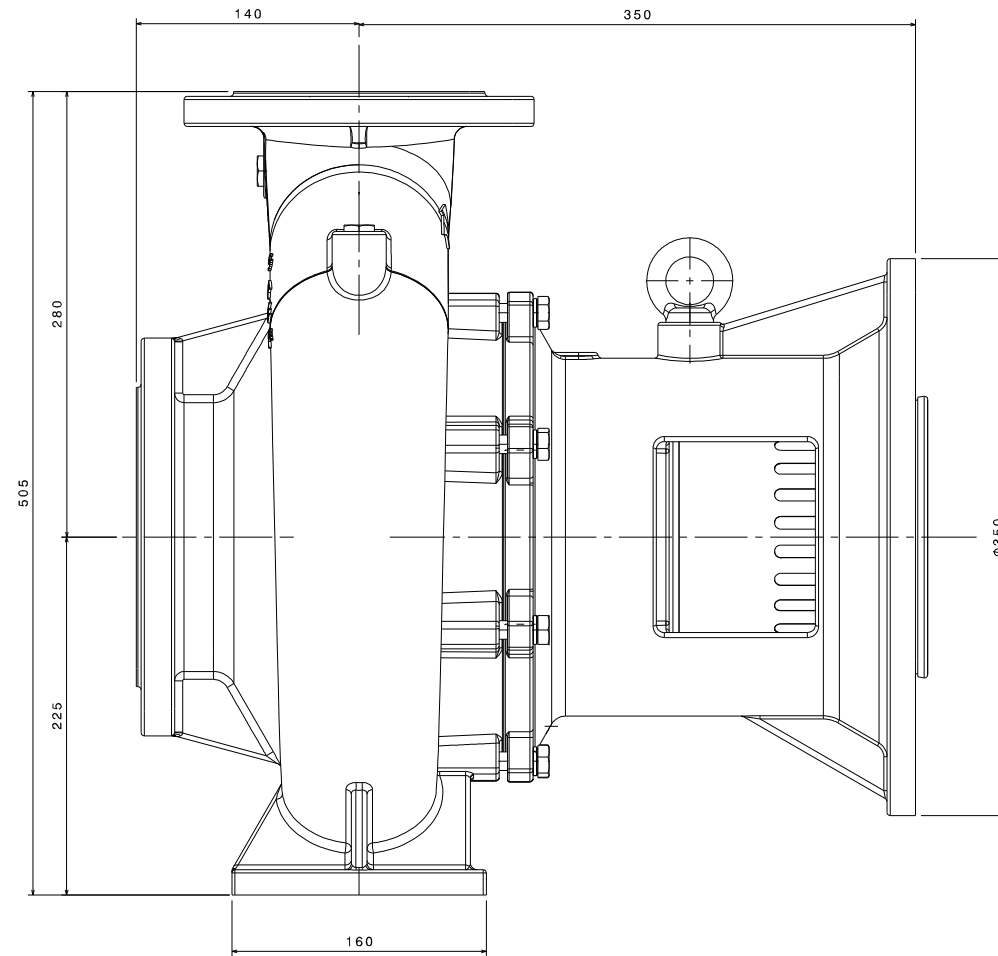
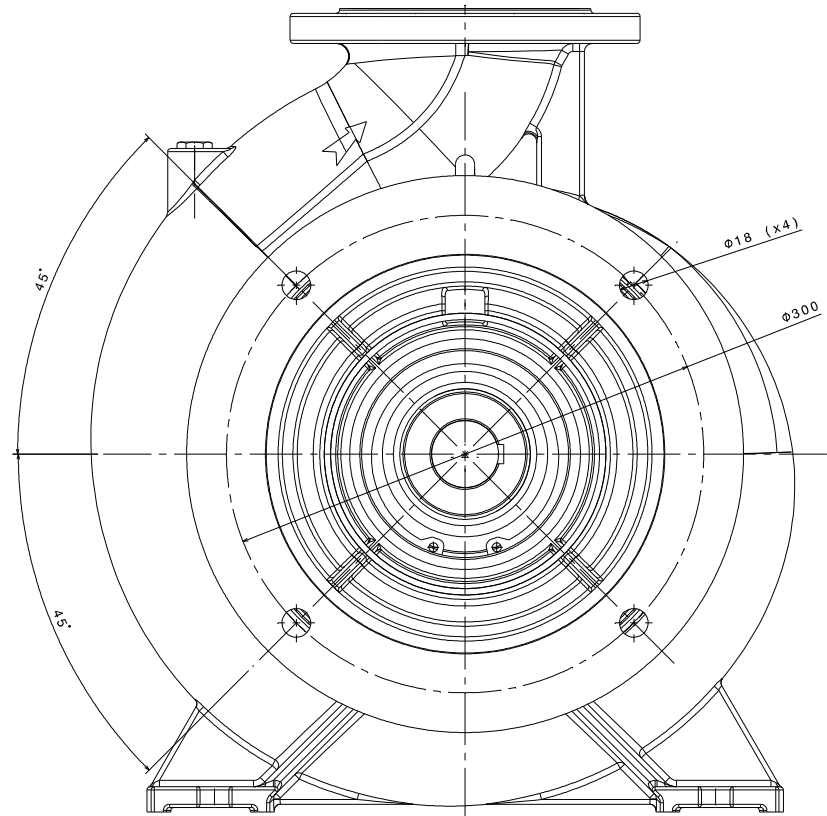
	Receiver	From
Company name		
Respons. Department		
Person in charge		
Phone number		
Fax no		
E-mail address		

Operating area	Flow	Head	Impeller type
Operating data specification	0 US g.p.m.	0 ft	Impeller construction Closed
Pump data	US g.p.m.	ft	Sense of rotation Clockwise from the drive end
			Outlet width DN 100
	Flow	Head	Speed rpm 1800
	Min. Max. η Max.	H(Q=0) η Max.	Frequency Hz 60 Hz
	US g.p.m. US g.p.m. US g.p.m.	ft ft	
	352 1210 722	97.8 81	
		Shaft power P2	
		P2(Q=0) Max. η Max.	
		hp hp hp	
		19.9 18	

Performance data based to: Water, pure [100%] ; 68°F; 62.3lb/ft³; 1.08E-5ft²/s UNI EN ISO 9906:2012 - Grade 3B



Project	Project ID	Created by	Created on 2022-09-26	Last update
---------	------------	------------	---------------------------------	-------------



MATERIALE		TRATTAMENTO TERMICO		SCALA	
DESIGNATO DG	DATA 16-07-2021	QUOTI E DIMI TOLLEMANZA Secondo ISO 2768-m	RAGGI NON QUOTATI	3.5	
APPROVATO	DATA	SMISSIONI QUOTATI		PESO GREZZO	PESO FINITO
DESCRIZIONE COMPLESSIVO MG1 100-250			GRUPPO MG1 100-250		
MEC 160			DISPOSIT PZ047A003		VERSIONE 00
SAER ELETTROPOMPE S.p.A. - ITALY			All proprietary rights reserved by SAER ELETTROPOMPE S.p.A. - This drawing shall not be reproduced, or in any way utilized, for the manufacture of the equipment or unit herein illustrated and must not be released to other parties, without written consent. Any infringement will be legally pursued.		