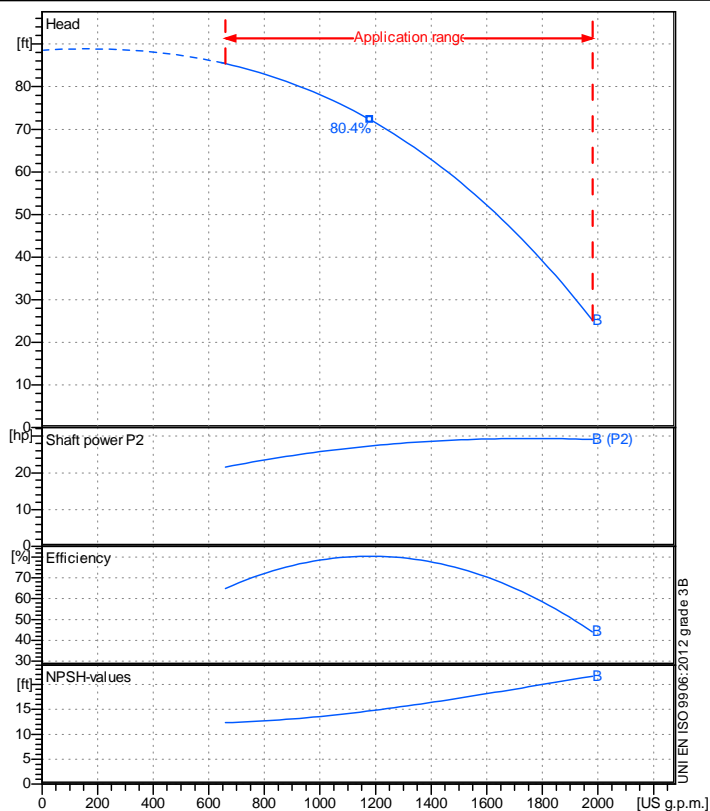


Receiver

From

 Company name
 Respons. Department
 Person in charge
 Phone number
 Fax no
 E-mail address


Operating data specification

Nominal flow	US g.p.m. 0
Nominal head	ft 0
Static head	ft 0
NPSH - v value of plant	ft 0
Inlet pressure	psi 1.42
Fluid	Water, pure
Operating temperature t A	°F 68
Density at t A	lb/ft³ 62.32
Kin. viscosity at t A	ft²/s 1.082E-5

Pump

Pump name		6MG4-4P 125-250B	
Size		100/80/200	
Design			
Speed	rpm	1800	No of stages 1
Impeller type			
Flow	Nominal		US g.p.m.
	Max-		US g.p.m. 1980
	Min-		US g.p.m. 660
Head	Nominal		ft
	Max-		ft 85.4
	Min-		ft 25.1
Head H(Q=0)			ft 88.6
NPSH 3%			ft
Max. working pressure			psi 38.3
Shaft power			hp
Efficiency			%
Max absorbed power			hp 29.341

Materials Pump

Shaft	Stainless steel AISI 431 (1.4057)		
Impeller	Cast iron EN-GJL-250		
Pump body	Cast iron EN-GJL-250		
Seal disc	Cast iron EN-GJL-250		
Gasket	Natural fiber		
Mechanical seal	BVEG (Grafite/Ossido Allumina/EPDM)		
Motor	Frame size	180 L	
Manufacturer / Type	SAER	MEC180L-4P-22	
Rated power	hp	29.502	Efficiency 4/4 87 %
Electric current	A	36.5 A	Speed rpm 1800
Electric voltage	V	460V	3~ Hz 60
Starting mode	Unknown		
Degree of protection	IP 55	Insulation class	F

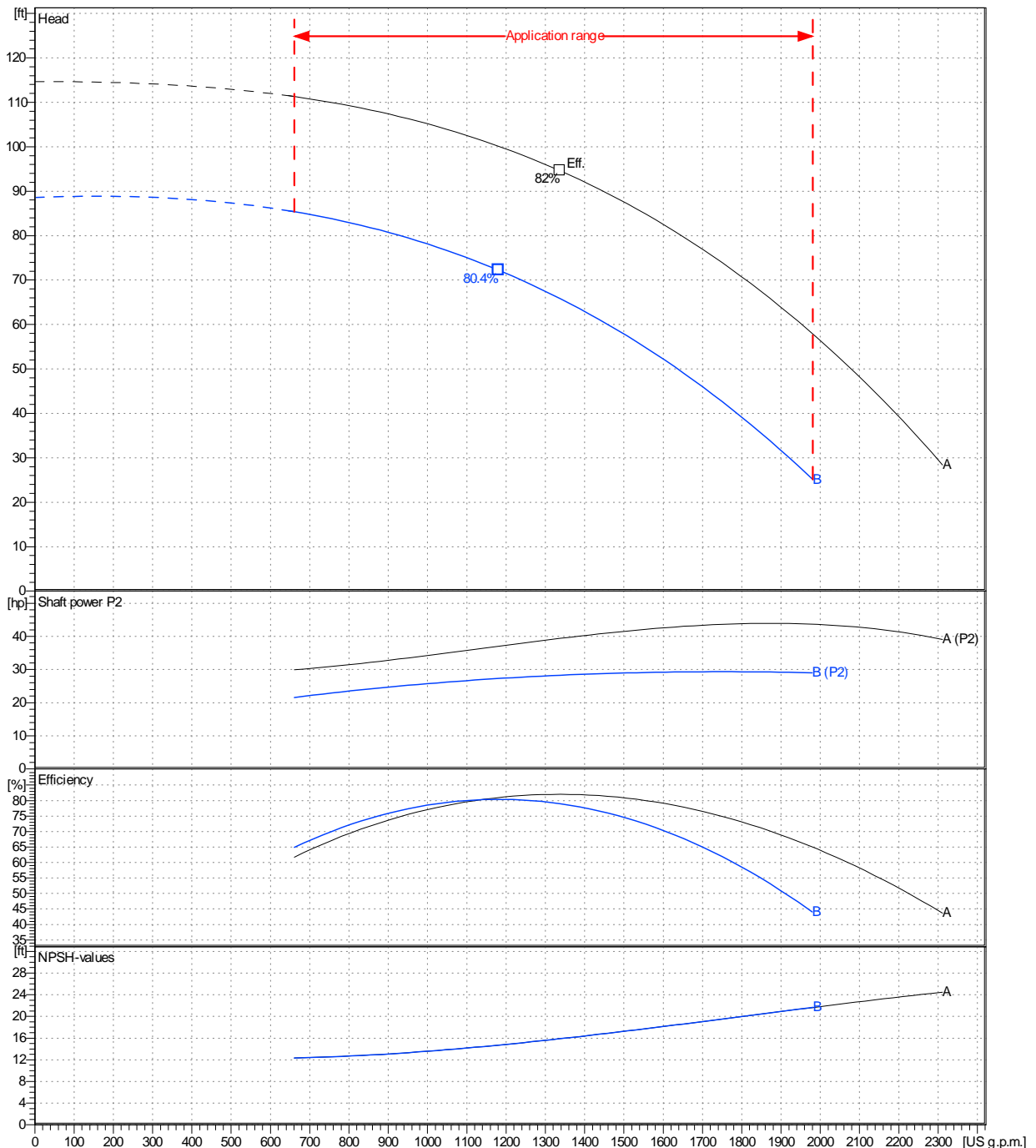
Remarks:

Project	Project ID	Created by	Created on	Last update
			2022-09-26	

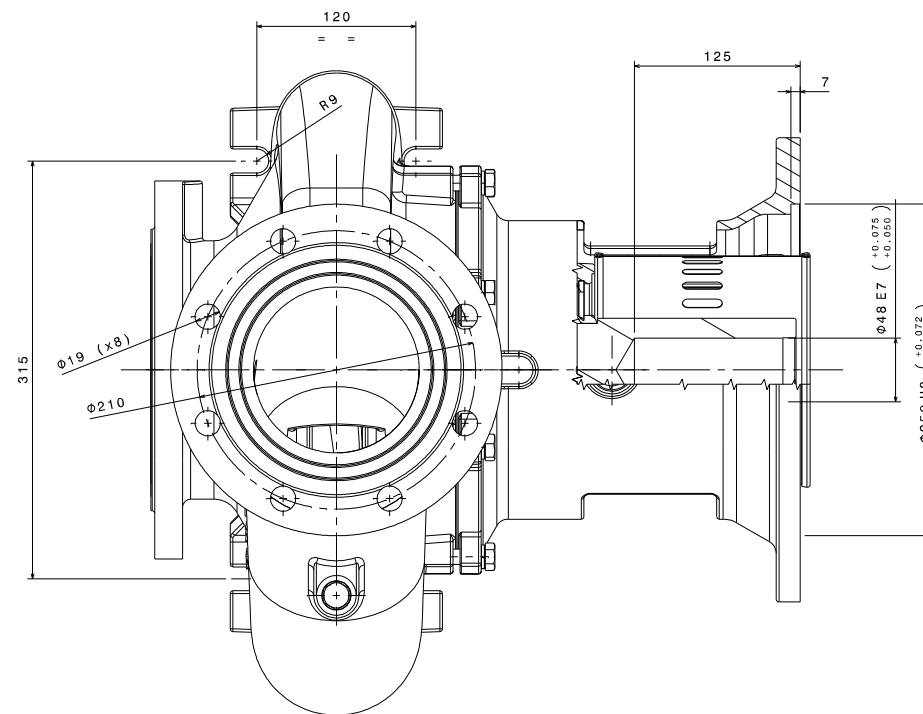
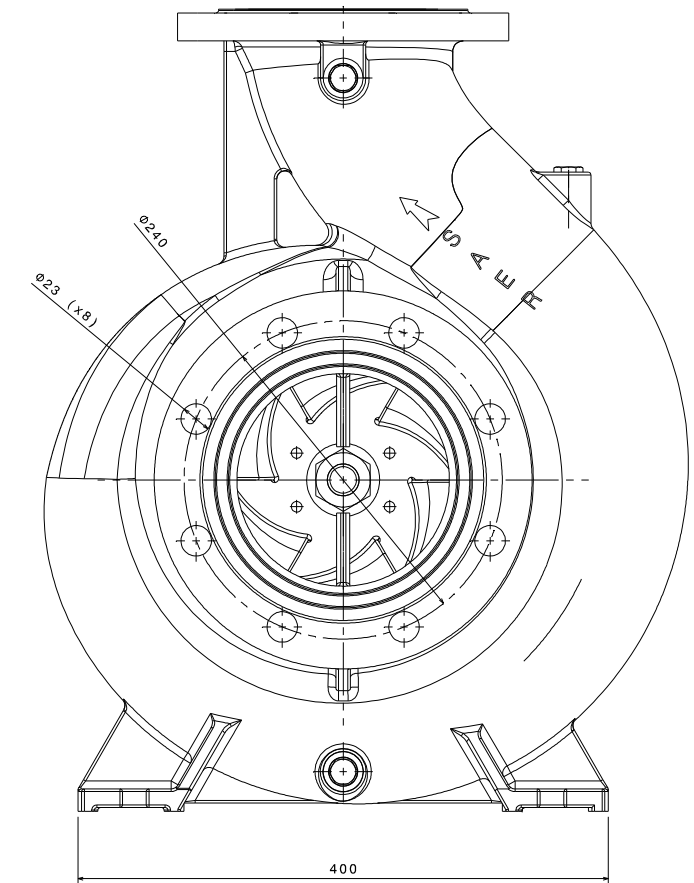
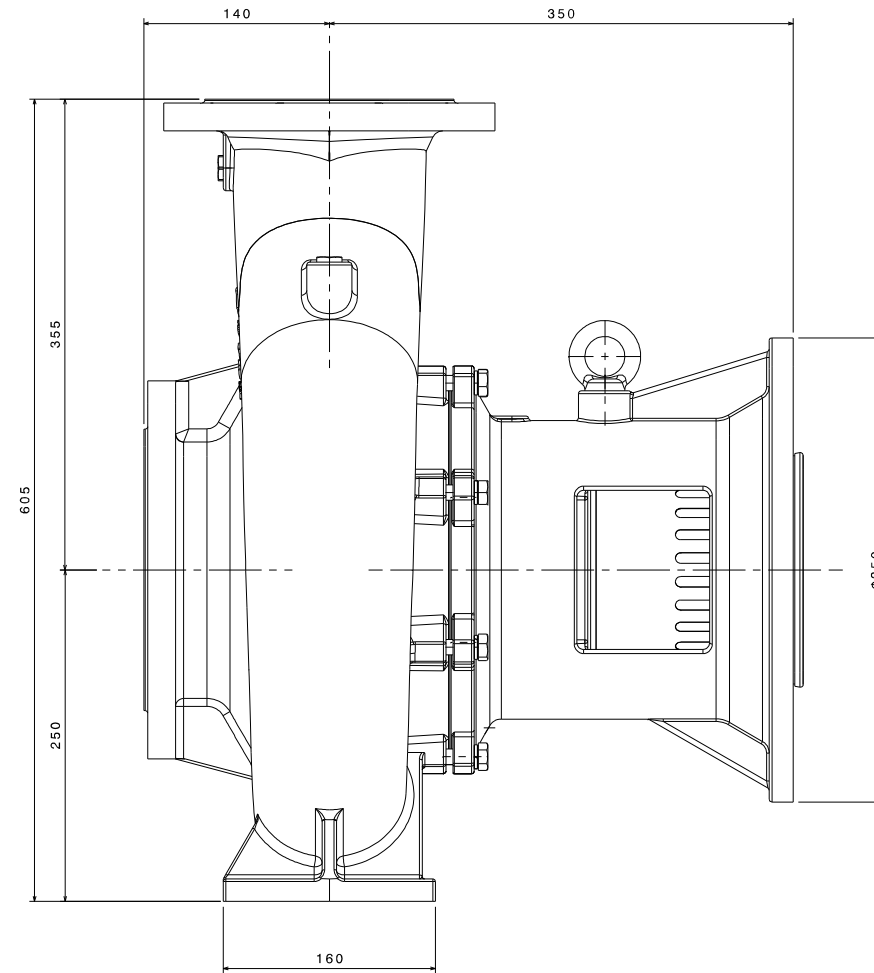
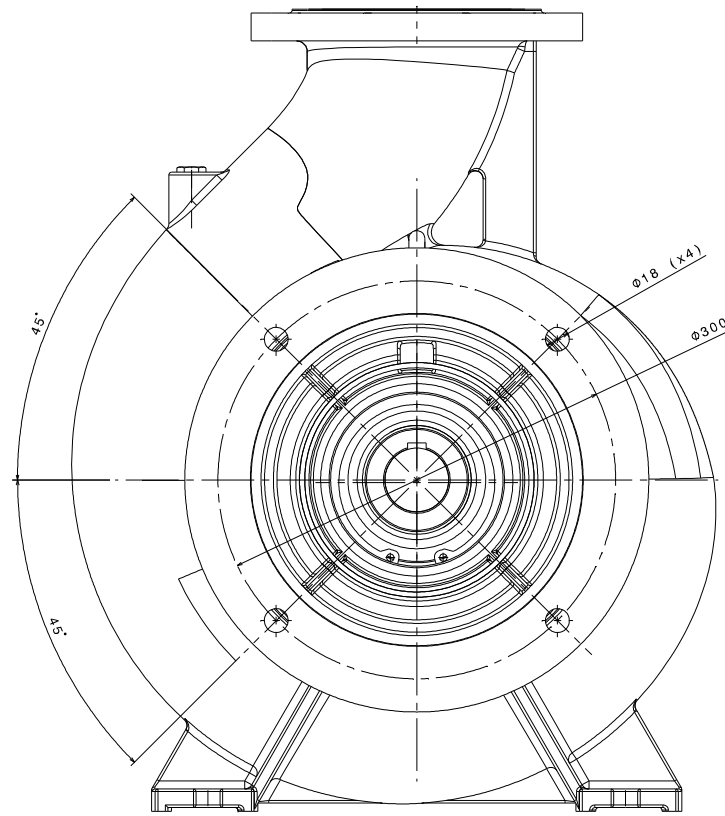
Receiver		From	
Company name			
Respons. Department			
Person in charge			
Phone number			
Fax no			
E-mail address			

Operating area	Flow	Head	Impeller type
Operating data specification	0 US g.p.m.	0 ft	Impeller construction: Closed
Pump data	US g.p.m.	ft	Sense of rotation: Clockwise from the drive end
			Outlet width: DN 125
	Flow	Head	Shaft power P2
	Min. Max. η Max.	H(Q=0) η Max.	P2(Q=0) Max. η Max.
	US g.p.m. US g.p.m. US g.p.m.	ft ft	hp hp hp
	660 1980 1180	88.6 72.2	29.3 27.3
			Speed rpm: 1800
			Frequency Hz: 60 Hz

Performance data based to: Water, pure [100%]; 68°F; 62.3lb/ft³; 1.08E-5ft²/s UNI EN ISO 9906:2012 - Grade 3B



Project	Project ID	Created by	Created on	Last update
			2022-09-26	



MATERIALE		TRATTAMENTO TERMICO	
DESIGNATO DG	DATA 04-11-2020	QUOTI ESTERNA TOLLEMANA Secondo ISO 2768-m	RAGGI NON QUOTATI
APPROVATO	DATA	SMUSSI NON QUOTATI	
DESCRIZIONE COMPLESSIVO MG1 125-250		PESO GREZZO	PESO FINITO
MEC 180		GRUPPO MG1 125-250	
CODICE		GRUPPO PZ047A004	VERSIONE 00
<small>Proprietà della SAER ELETTROPOMPE S.p.A. - Senza autorizzazione scatta dalla stessa, il presente disegno non potrà essere utilizzato per la costruzione di progetti rappresentati, né venire comunicato a terzi o riprodotti. La società si riserva tutti i propri diritti a rigore di legge.</small>		<small>All proprietary rights reserved by SAER ELETTROPOMPE S.p.A. - This drawing shall not be reproduced, or in any way utilized, for the manufacture of the equipment or unit herein illustrated and must not be released to other parties, without written consent. Any infringement will be legally pursued.</small>	