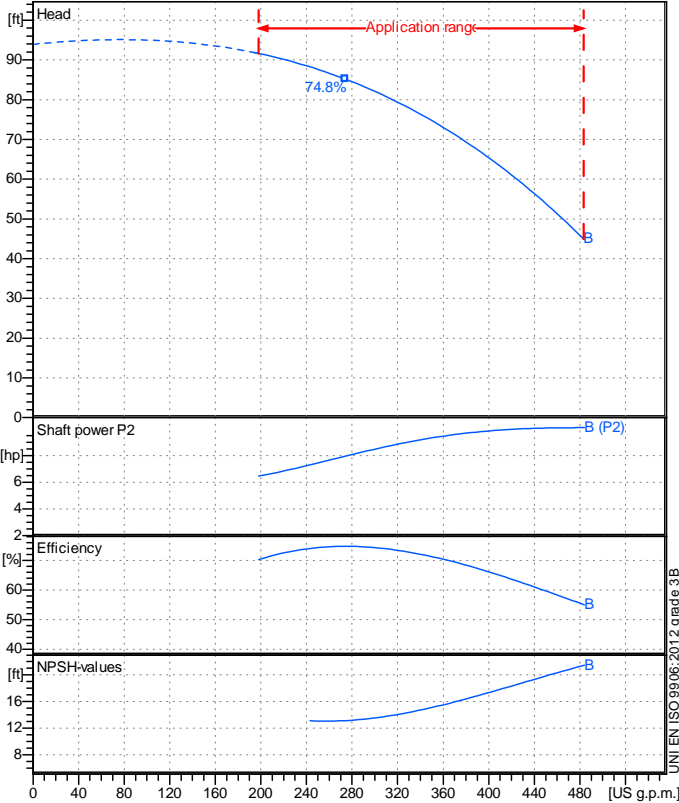


Receiver

From

 Company name
 Respons. Department
 Person in charge
 Phone number
 Fax no
 E-mail address

Operating data specification

Nominal flow	US g.p.m.	0
Nominal head	ft	0
Static head	ft	0
NPSH - v value of plant	ft	0
Inlet pressure	psi	1.42
Fluid		Water, pure
Operating temperature t A	°F	68
Density at t A	lb/ft³	62.32
Kin. viscosity at t A	ft²/s	1.082E-5

Pump

Pump name	6MG4-4P 65-250NB		
Size	80/65/200		
Design			
Speed rpm	1800	No of stages	1
Impeller type			
Flow	Nominal	US g.p.m.	
	Max-	US g.p.m.	483
	Min-	US g.p.m.	198
Head	Nominal	ft	
	Max-	ft	91.6
	Min-	ft	44.9
Head H(Q=0)	ft	93.9	
NPSH 3%	ft		
Max. working pressure	psi	40.7	
Shaft power	hp		
Efficiency	%		
Max absorbed power	hp	10.111	

Materials Pump

Shaft	Stainless steel AISI 431 (1.4057)
Impeller	Cast iron EN-GJL-250
Pump body	Cast iron EN-GJL-250
Seal disc	Cast iron EN-GJL-250
Gasket	Natural fiber
Mechanical seal	BVEG (Grafito/Ossido Allumina/EPDM)

Motor	Frame size	132L		
Manufacturer / Type	SAER	MEC132L-4P-7.5		
Rated power	hp	10.058	Efficiency 4/4	86 %
Electric current	A	24/12 A	Speed	rpm 1800
Electric voltage	V	230/460V	3~	Hz 60
Starting mode	Unknown			
Degree of protection	IP 55	Insulation class	F	

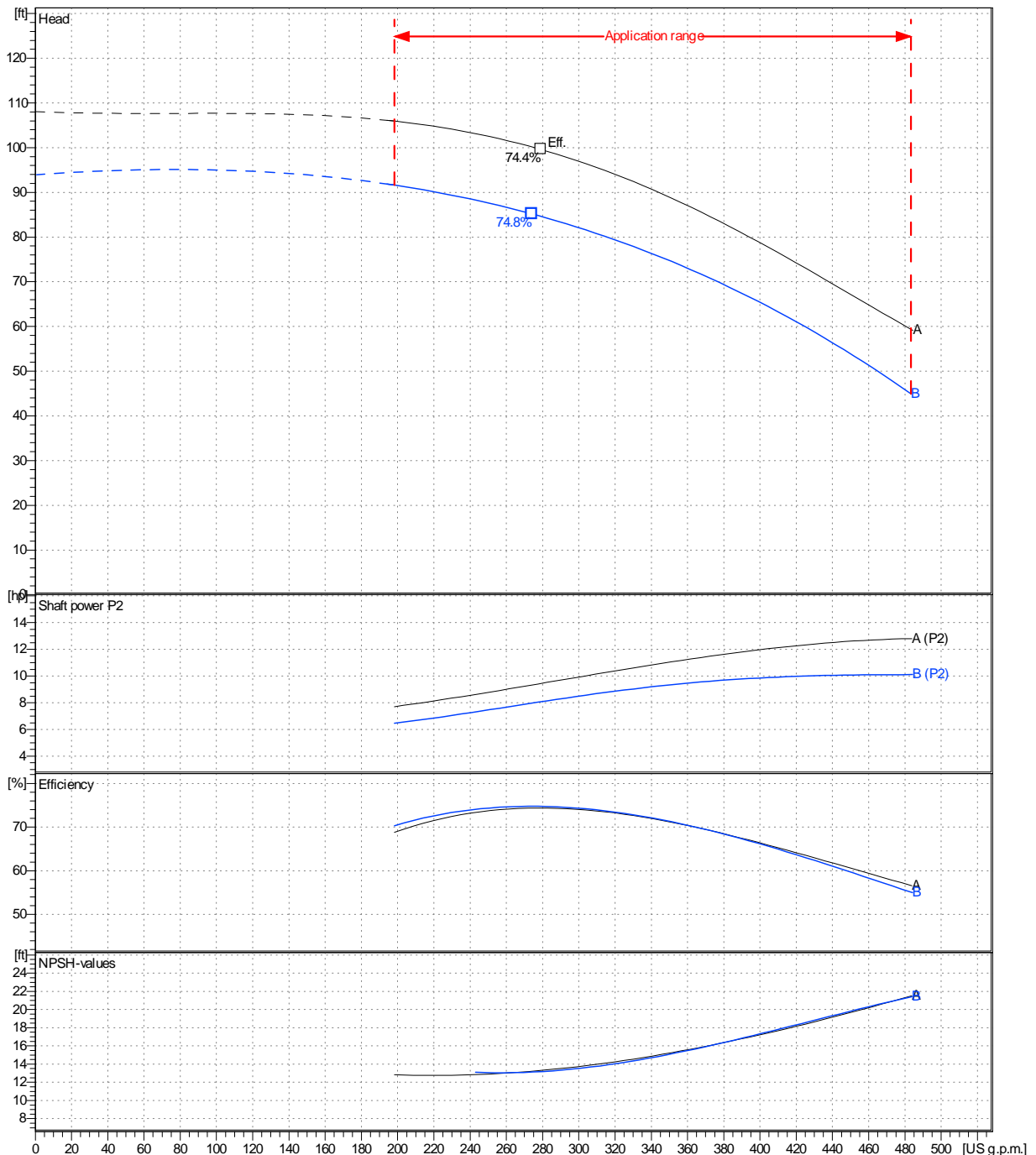
Remarks:

Project	Project ID	Created by	Created on 9/26/2022	Last update
---------	------------	------------	--------------------------------	-------------

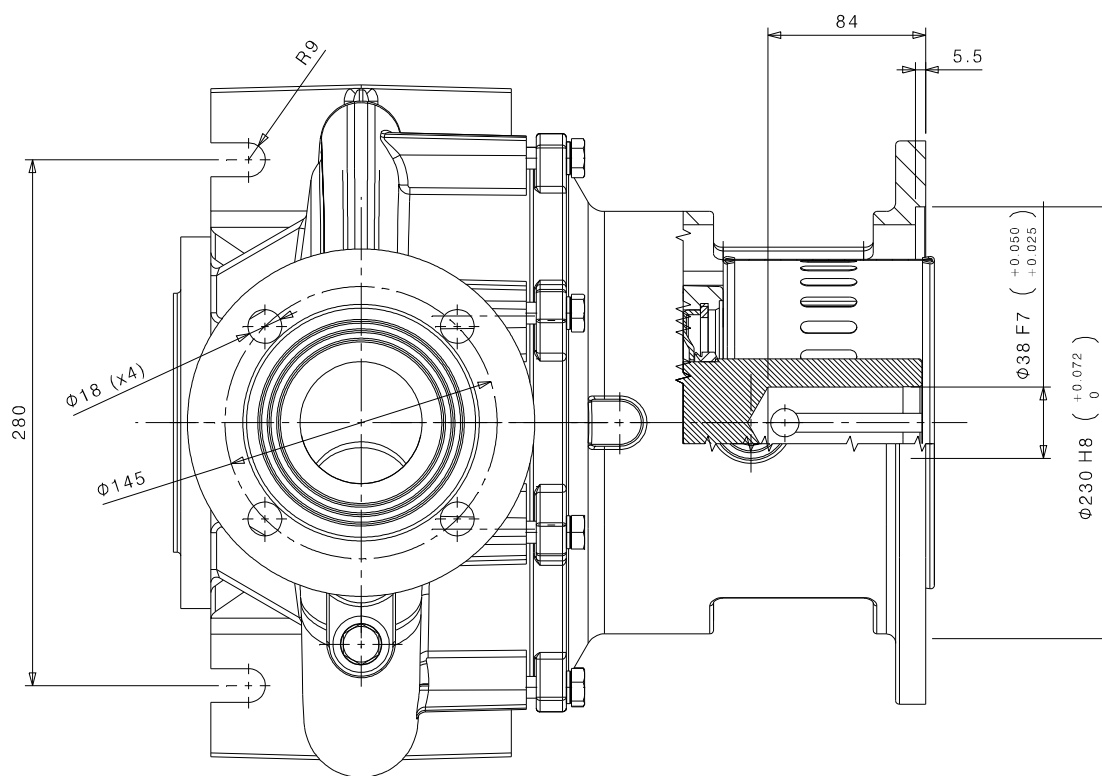
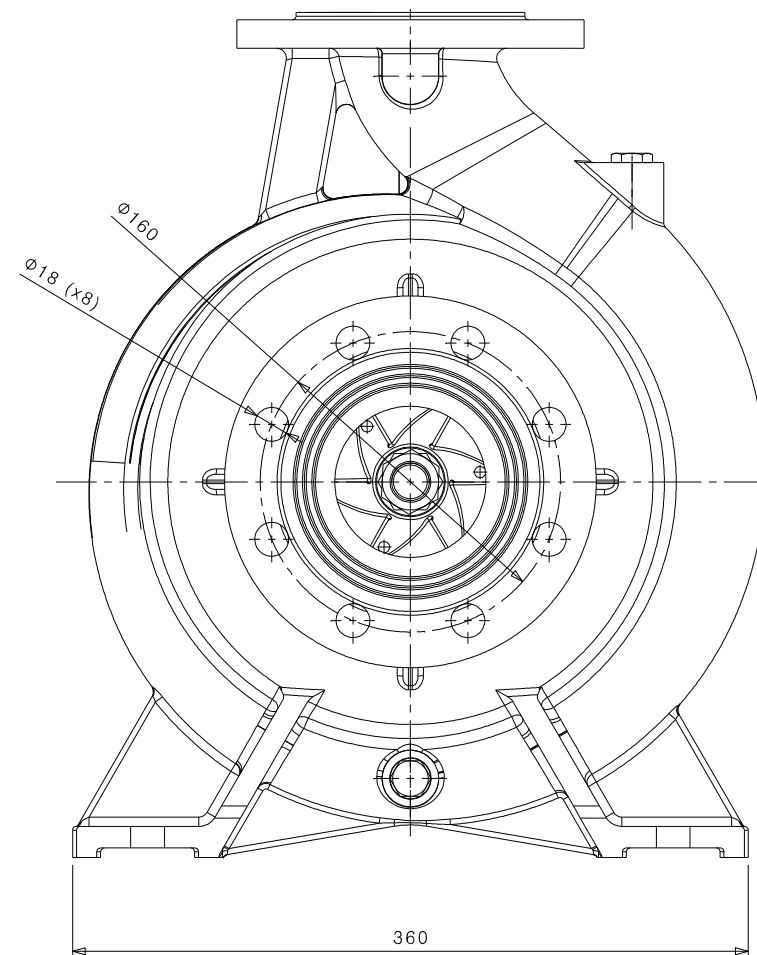
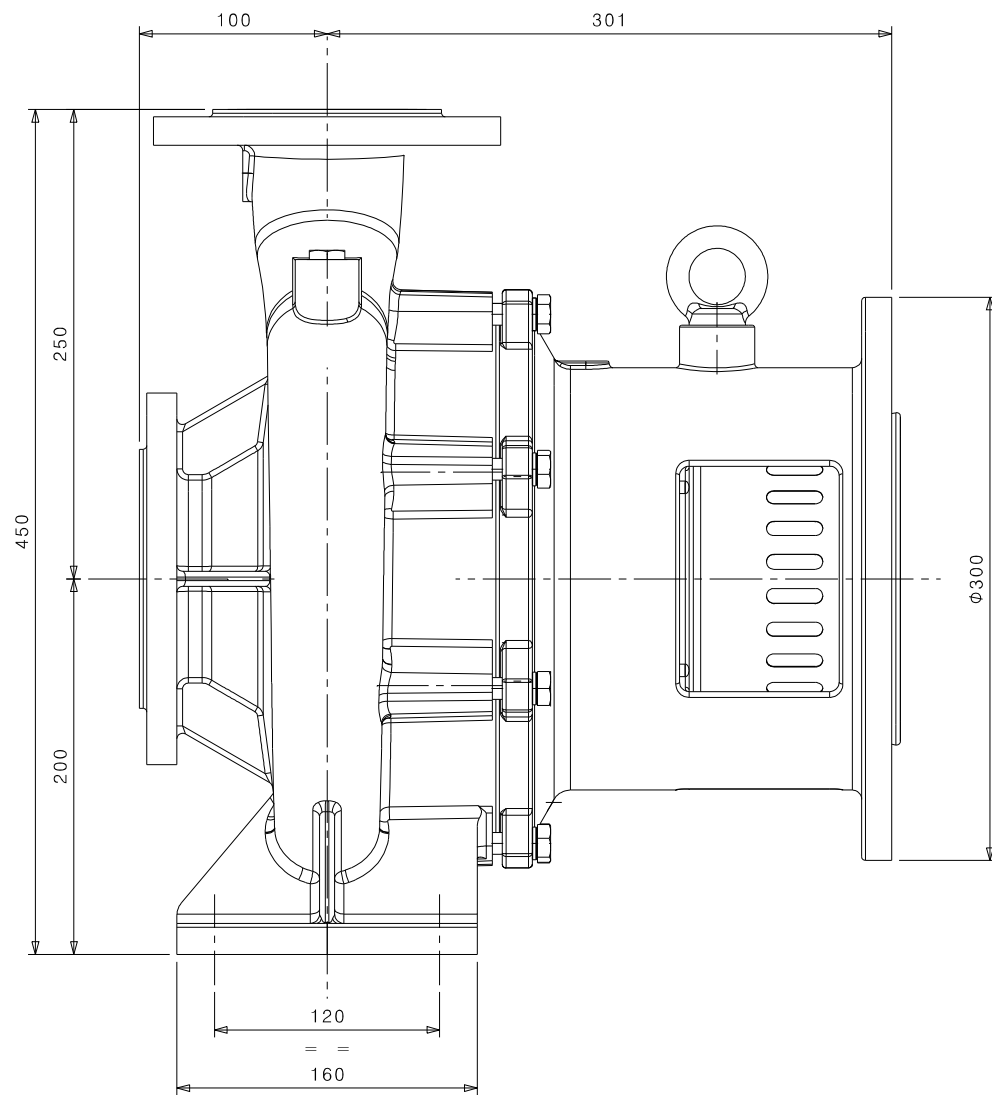
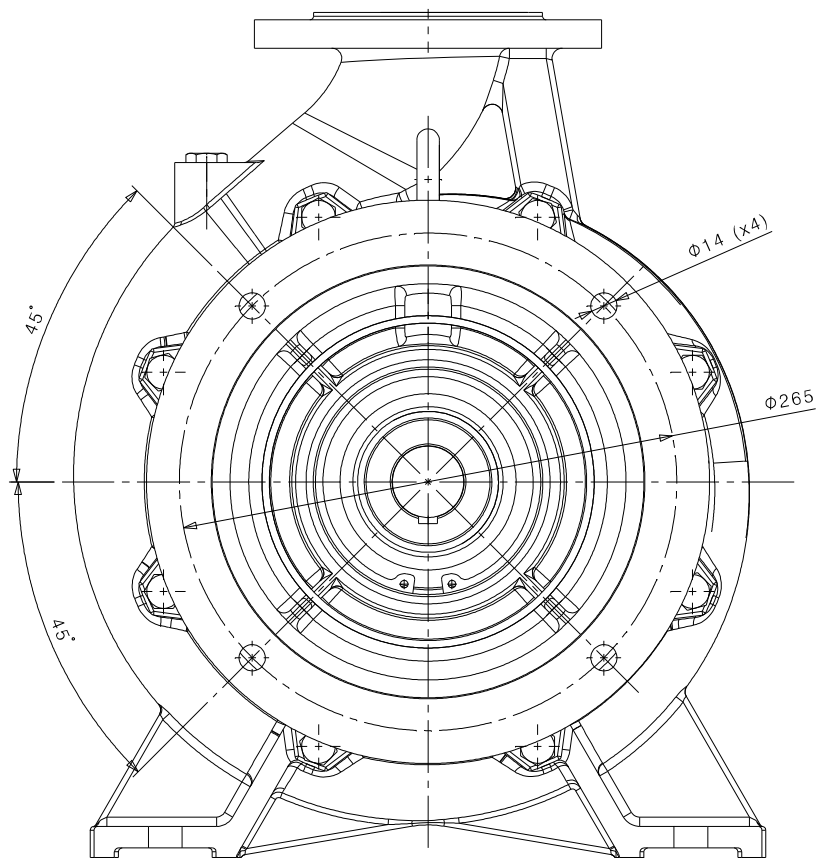
Receiver	From
Company name Respons. Department Person in charge Phone number Fax no E-mail address	

Operating area	Flow	Head	Impeller type
Operating data specification	0 US g.p.m.	0 ft	Impeller construction: Closed
Pump data	US g.p.m.	ft	Sense of rotation: Clockwise from the drive end
			Outlet width: DN 65
	Flow	Head	Shaft power P2
	Min. Max. η Max.	H(Q=0) η Max.	P2(Q=0) Max. η Max.
	US g.p.m. US g.p.m. US g.p.m.	ft ft	hp hp hp
	198 483 274	93.9 85.2	10.1 7.97
			Speed rpm: 1800
			Frequency Hz: 60 Hz

Performance data based to: Water, pure [100%]; 68°F; 62.3lb/ft³; 1.08E-5ft²/s UNI EN ISO 9906:2012 - Grade 3B



Project	Project ID	Created by	Created on	Last update
			9/26/2022	



MATERIALE		TRATTAMENTO TERMICO			
DISEGNATO DG	DATA 17-03-2021	QUOTE SENZA TOLLERANZA	RAGGI NON QUOTATI	SCALA 1:2	
APPROVATO	DATA	Secondo ISO 2768-m	SMUSSI NON QUOTATI		
DESCRIZIONE COMPLESSIVO MG1 65-250 PER MOTORE MEC 132		PESO GREZZO	PESO FINITO	GRUPPO MG1 65-250	
CODICE		GREZZO	DISEGNO P2027A001	VERSIONE 00	
Proprietà della SAER ELETTROPOMPE S.p.A. - Senza autorizzazione scritta della stessa, il presente disegno non potrà essere utilizzato per la costruzione dell'oggetto rappresentato, né venire comunicato a terzi o riprodotto. La società proprietaria tutela i propri diritti a rigore di legge.			All proprietary rights reserved by SAER ELETTROPOMPE S.p.A. - This drawing shall not be reproduced, or in any way utilized, for the manufacture of the component or unit herein illustrated and must not be released to other parties, without written consent. Any infringement will be legally pursued.		