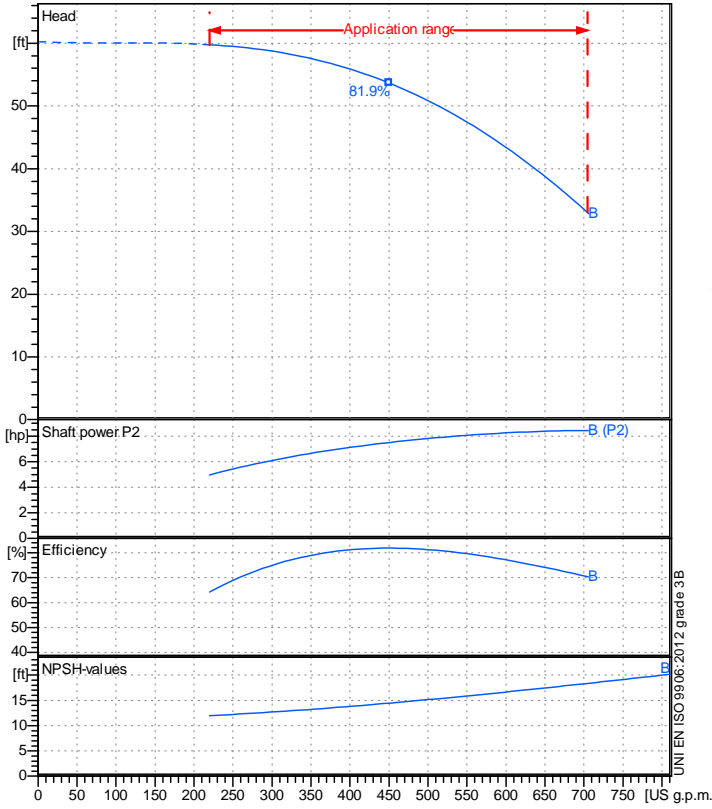


Receiver

From

 Company name  
 Respons. Department  
 Person in charge  
 Phone number  
 Fax no  
 E-mail address



**Operating data specification**

Nominal flow	US g.p.m.	0
Nominal head	ft	0
Static head	ft	0
NPSH - v alue of plant	ft	0
Inlet pressure	psi	1.42
Fluid		Water, pure
Operating temperature t A	°F	68
Density at t A	lb/ft³	62.32
Kin. viscosity at t A	ft²/s	1.082E-5

**Pump**

Pump name	6MG4-4P 80-200B		
Size	100/80/200		
Design			
Speed rpm	1800	No of stages	1
Impeller type			
Flow	Nominal	US g.p.m.	
	Max-	US g.p.m.	706
	Min-	US g.p.m.	220
Head	Nominal	ft	
	Max-	ft	59.8
	Min-	ft	32.9
Head H(Q=0)	ft	60.2	
NPSH 3%	ft		
Max. working pressure	psi	26.1	
Shaft power	hp		
Efficiency	%		
Max absorbed power	hp	8.4412	

**Materials Pump**

Shaft	Stainless steel AISI 431 (1.4057)
Impeller	Cast iron EN-GJL-250
Pump body	Cast iron EN-GJL-250
Seal disc	Cast iron EN-GJL-250
Gasket	Natural fiber
Mechanical seal	BVEG (Grafite/Ossido Allumina/EPDM)

<b>Motor</b>	Frame size	132L		
Manufacturer / Type	SAER	MEC132L-4P-7.5		
Rated power	hp	10.058	Efficiency 4/4	86 %
Electric current	A	24/12 A	Speed rpm	1800
Electric voltage	V	230/460V	3~	Hz 60
Starting mode	Unknown			
Degree of protection	IP 55	Insulation class	F	

Remarks:

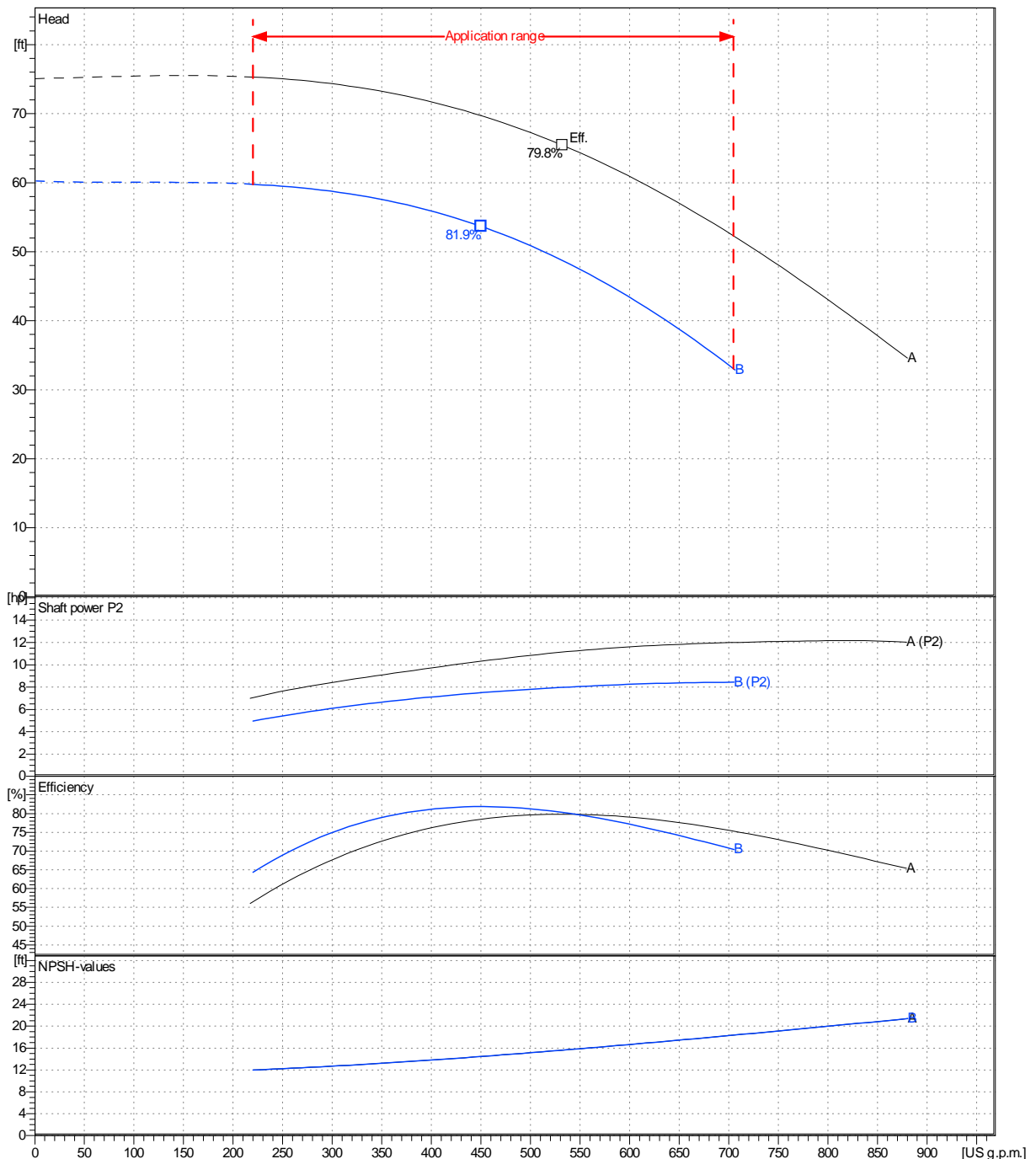
Project	Project ID	Created by	Created on	Last update
			9/26/2022	

Receiver	From

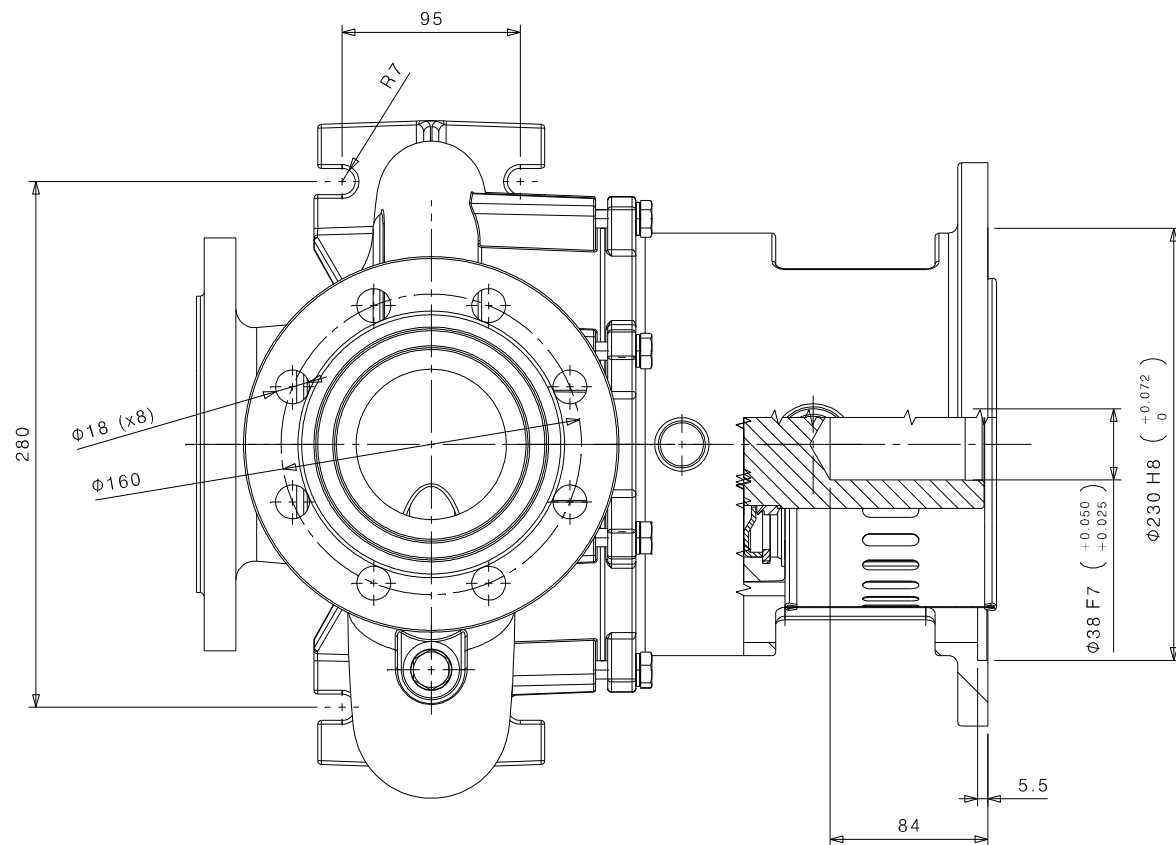
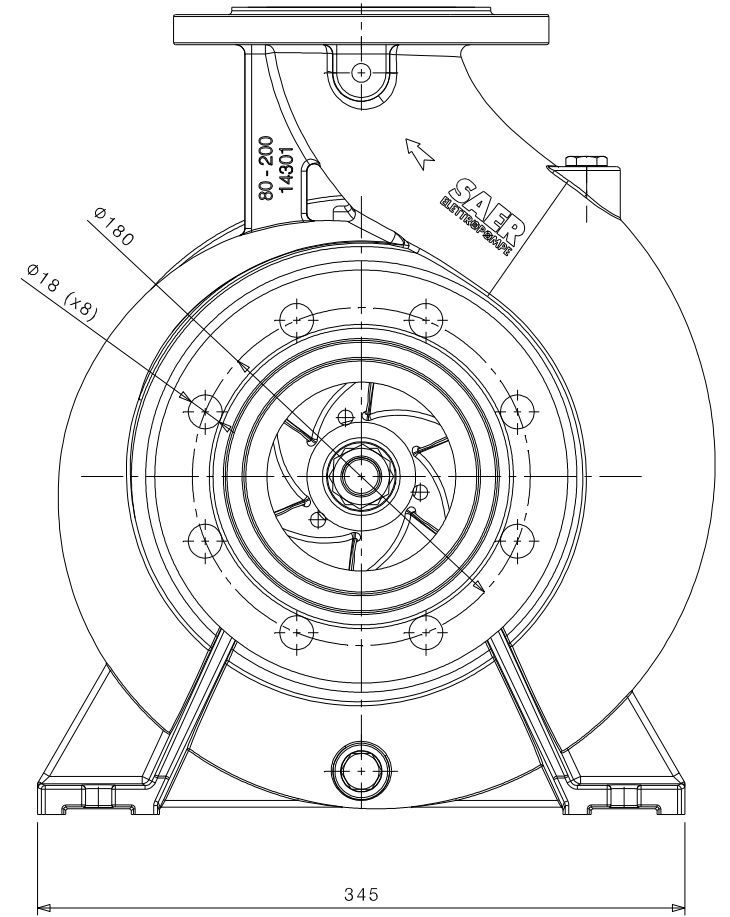
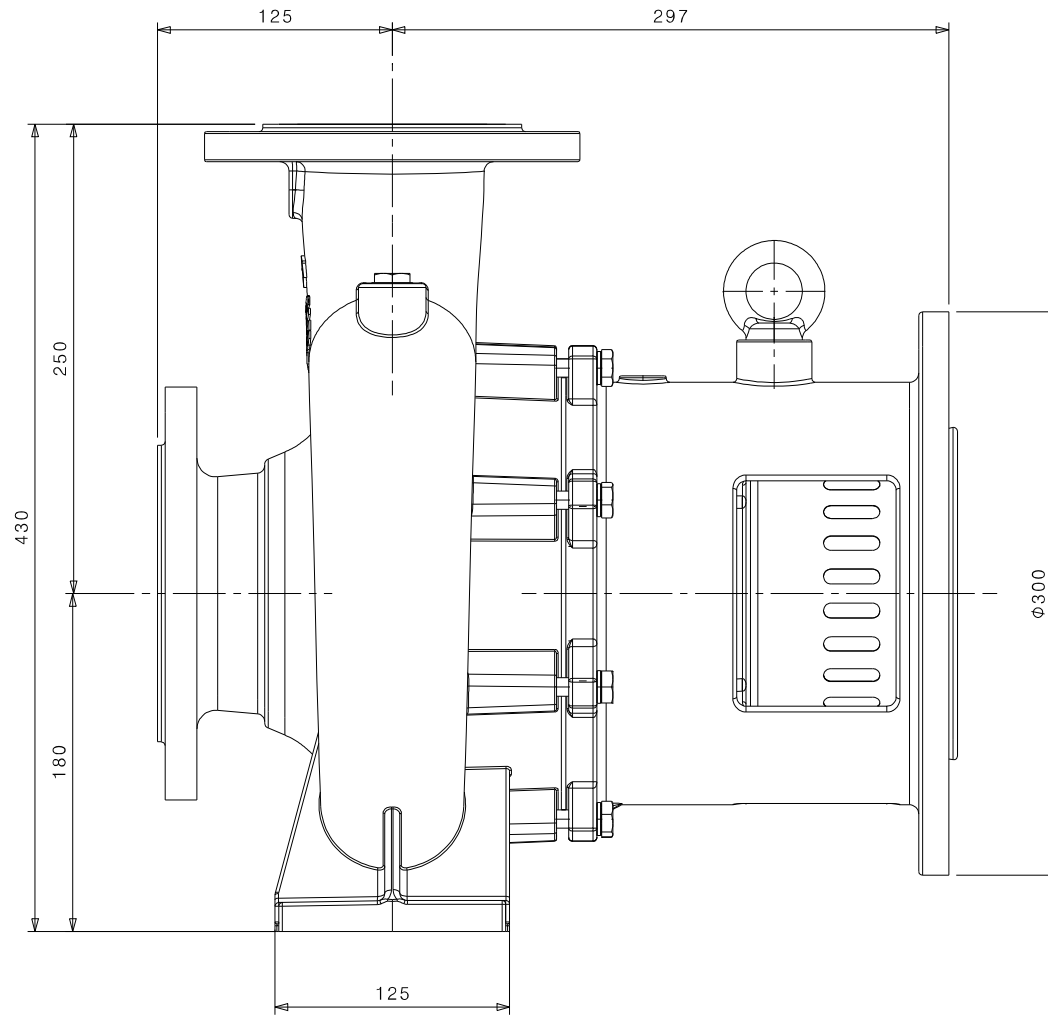
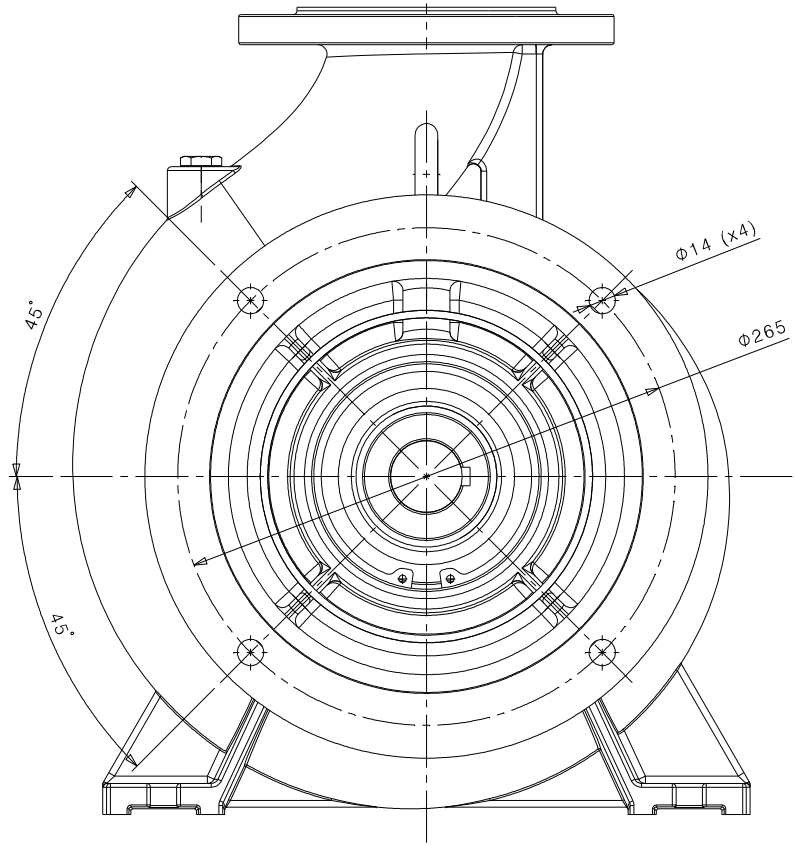
Company name  
Respons. Department  
Person in charge  
Phone number  
Fax no  
E-mail address

Operating area	Flow	Head	Impeller type																								
	0 US g.p.m.	0 ft	Impeller construction: Closed																								
Operating data specification			Sense of rotation: Clockwise from the drive end																								
Pump data	US g.p.m.	ft	Outlet width: DN 80																								
			Speed: rpm 1800																								
			Frequency: Hz 60 Hz																								
	<table border="1" style="font-size: small;"> <tr> <th colspan="3">Flow</th> <th colspan="2">Head</th> <th colspan="3">Shaft power P2</th> </tr> <tr> <th>Min.</th> <th>Max.</th> <th><math>\eta</math> Max.</th> <th>H(Q=0)</th> <th><math>\eta</math> Max.</th> <th>P2(Q=0)</th> <th>Max.</th> <th><math>\eta</math> Max.</th> </tr> <tr> <td>220</td> <td>704</td> <td>450</td> <td>60.2</td> <td>53.7</td> <td>hp</td> <td>hp</td> <td>hp</td> </tr> </table>	Flow			Head		Shaft power P2			Min.	Max.	$\eta$ Max.	H(Q=0)	$\eta$ Max.	P2(Q=0)	Max.	$\eta$ Max.	220	704	450	60.2	53.7	hp	hp	hp		
Flow			Head		Shaft power P2																						
Min.	Max.	$\eta$ Max.	H(Q=0)	$\eta$ Max.	P2(Q=0)	Max.	$\eta$ Max.																				
220	704	450	60.2	53.7	hp	hp	hp																				

Performance data based to: Water, pure [100%]; 68°F; 62.3lb/ft<sup>3</sup>; 1.08E-5ft<sup>2</sup>/s UNI EN ISO 9906:2012 - Grade 3B



Project	Project ID	Created by	Created on	Last update
			9/26/2022	



MATERIALE		TRATTAMENTO TERMICO			
DISEGNATO DG	DATA 18-03-2021	QUOTE SENZA TOLLERANZA	RAGGI NON QUOTATI	SCALA 1:2	
APPROVATO	DATA	Secondo ISO 2768-m	SMUSSI NON QUOTATI		
		DESCRIZIONE COMPLESSIVO MG1 80-200 PER MOTORE MEC 132		PESO GREZZO	PESO FINITO
QUASTALLA (RE) ITALY		CODICE	GREZZO	DISEGNO P2026A002	VERSIONE 00
<small>Proprietà della SAER ELETTROPOMPE S.p.A. - Senza autorizzazione scritta della stessa, il presente disegno non potrà essere utilizzato per la costruzione dell'oggetto rappresentato, né venire comunicato a terzi o riprodotto. La società proprietaria tutela i propri diritti a rigore di legge.</small>			<small>All proprietary rights reserved by SAER ELETTROPOMPE S.p.A. - This drawing shall not be reproduced, or in any way utilized, for the manufacture of the component or unit herein illustrated and must not be released to other parties, without written consent. Any infringement will be legally pursued.</small>		