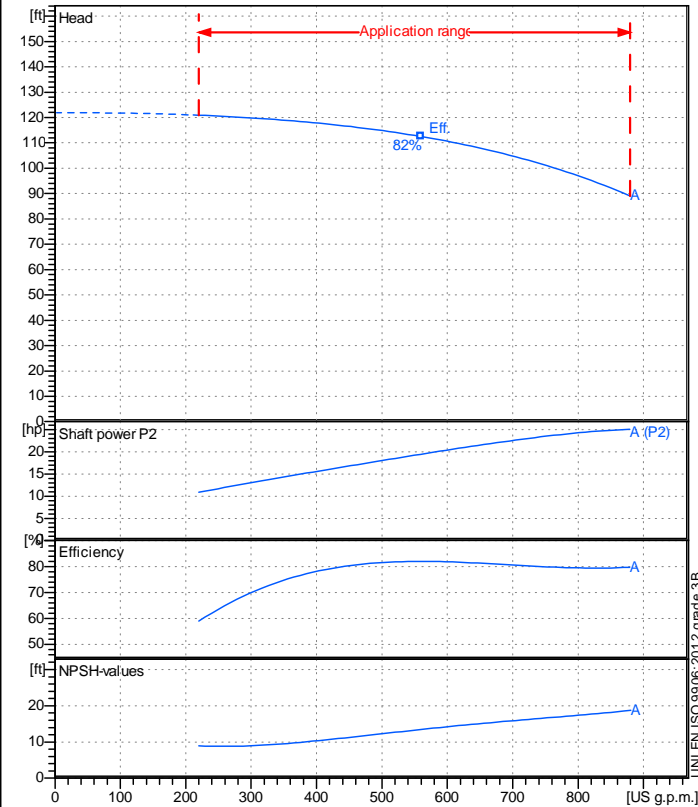


Receiver

From

 Company name
 Respons. Department
 Person in charge
 Phone number
 Fax no
 E-mail address

Operating data specification

Nominal flow	US g.p.m.	0
Nominal head	ft	0
Static head	ft	0
NPSH - v value of plant	ft	0
Inlet pressure	psi	1.42
Fluid		Water, pure
Operating temperature t A	°F	68
Density at t A	lb/ft³	62.32
Kin. viscosity at t A	ft²/s	1.082E-5

Pump

Pump name		6MG4-4P 80-250A	
Size		100/80/200	
Design			
Speed	rpm	1800	No of stages 1
Impeller type			
Flow	Nominal	US g.p.m.	
	Max-	US g.p.m.	880
	Min-	US g.p.m.	220
Head	Nominal	ft	
	Max-	ft	121
	Min-	ft	89.1
Head H(Q=0)		ft	122
NPSH 3%		ft	
Max. working pressure		psi	52.7
Shaft power		hp	
Efficiency		%	
Max absorbed power		hp	25.12

Materials Pump

Shaft	Stainless steel AISI 431 (1.4057)
Impeller	Cast iron EN-GJL-250
Pump body	Cast iron EN-GJL-250
Seal disc	Cast iron EN-GJL-250
Gasket	Natural fiber
Mechanical seal	BVEG (Grafite/Ossido Allumina/EPDM)

Motor	Frame size	180 L		
Manufacturer / Type	SAER	MEC180L-4P-18.5		
Rated power	hp	24.809	Efficiency 4/4	86 %
Electric current	A	32 A	Speed	rpm 1800
Electric voltage	V	460V	3~	Hz 60
Starting mode	Unknown			
Degree of protection	IP 55	Insulation class	F	

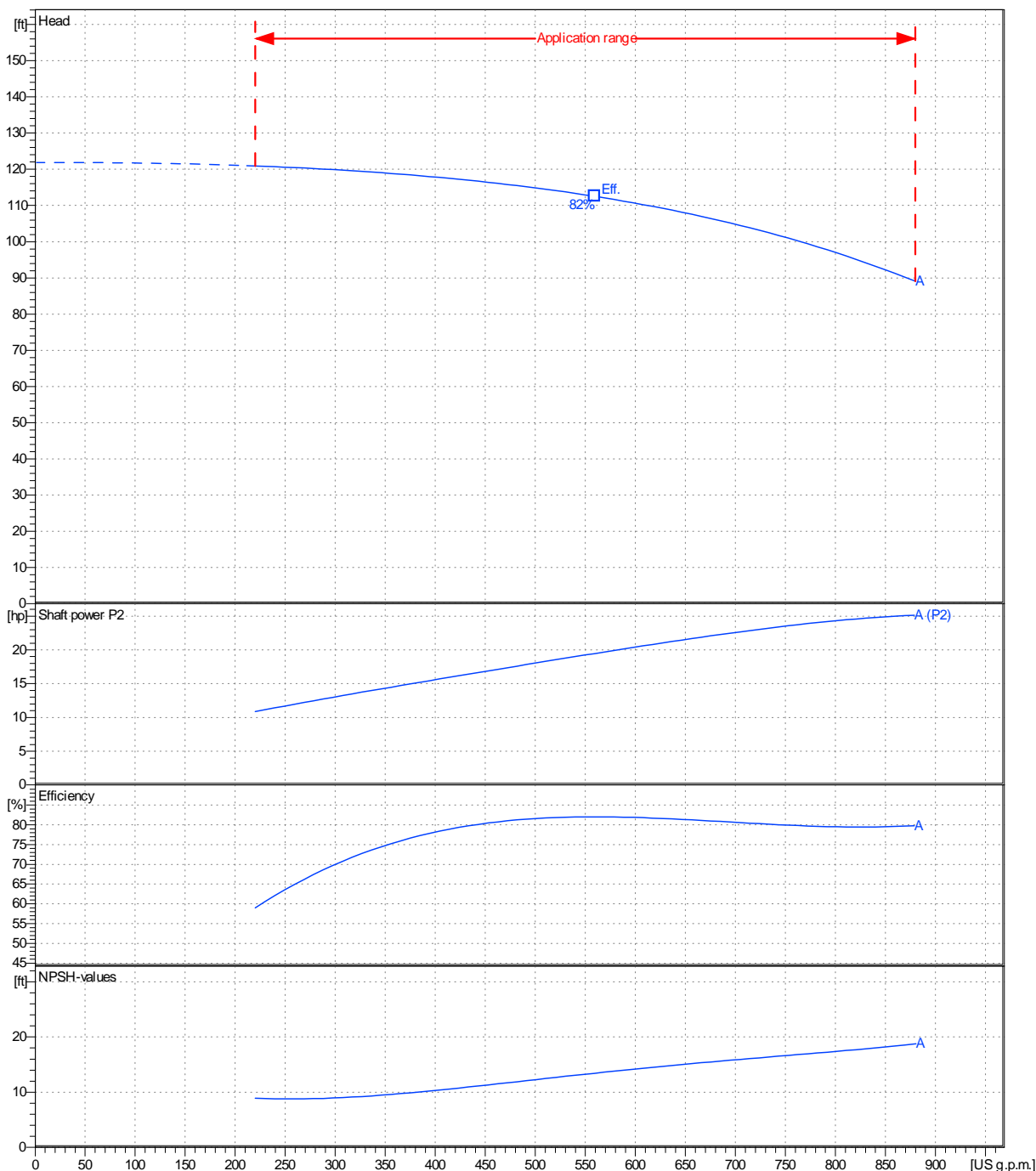
Remarks:

Project	Project ID	Created by	Created on	Last update
			2022-09-26	

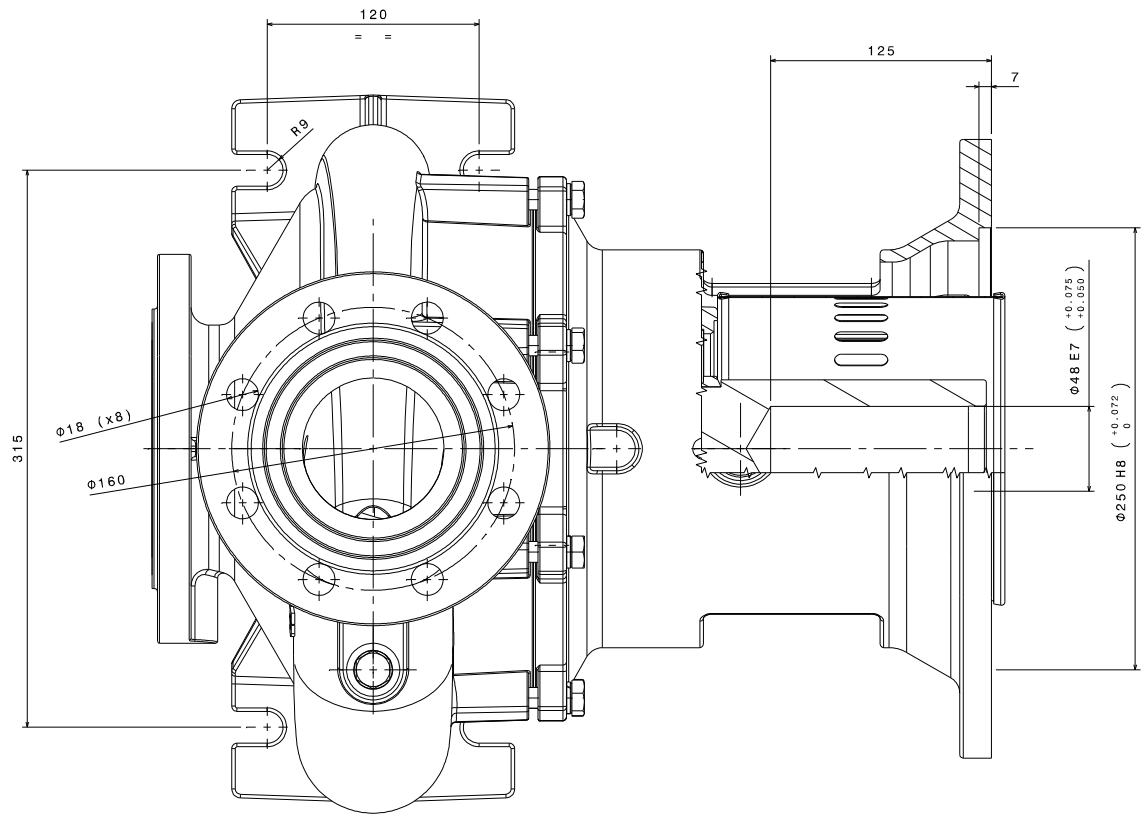
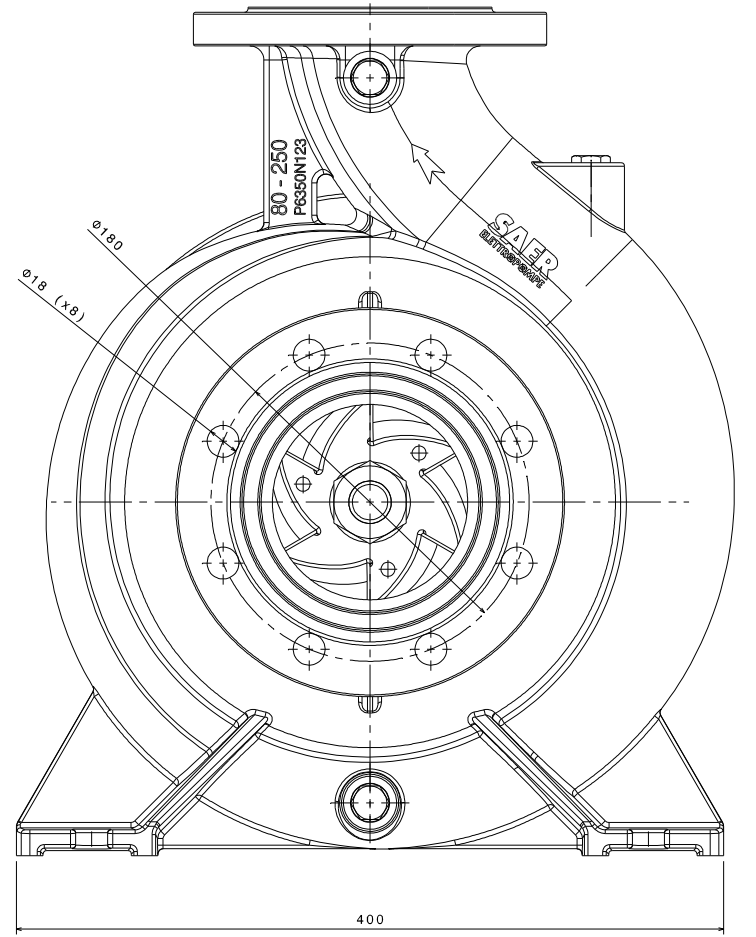
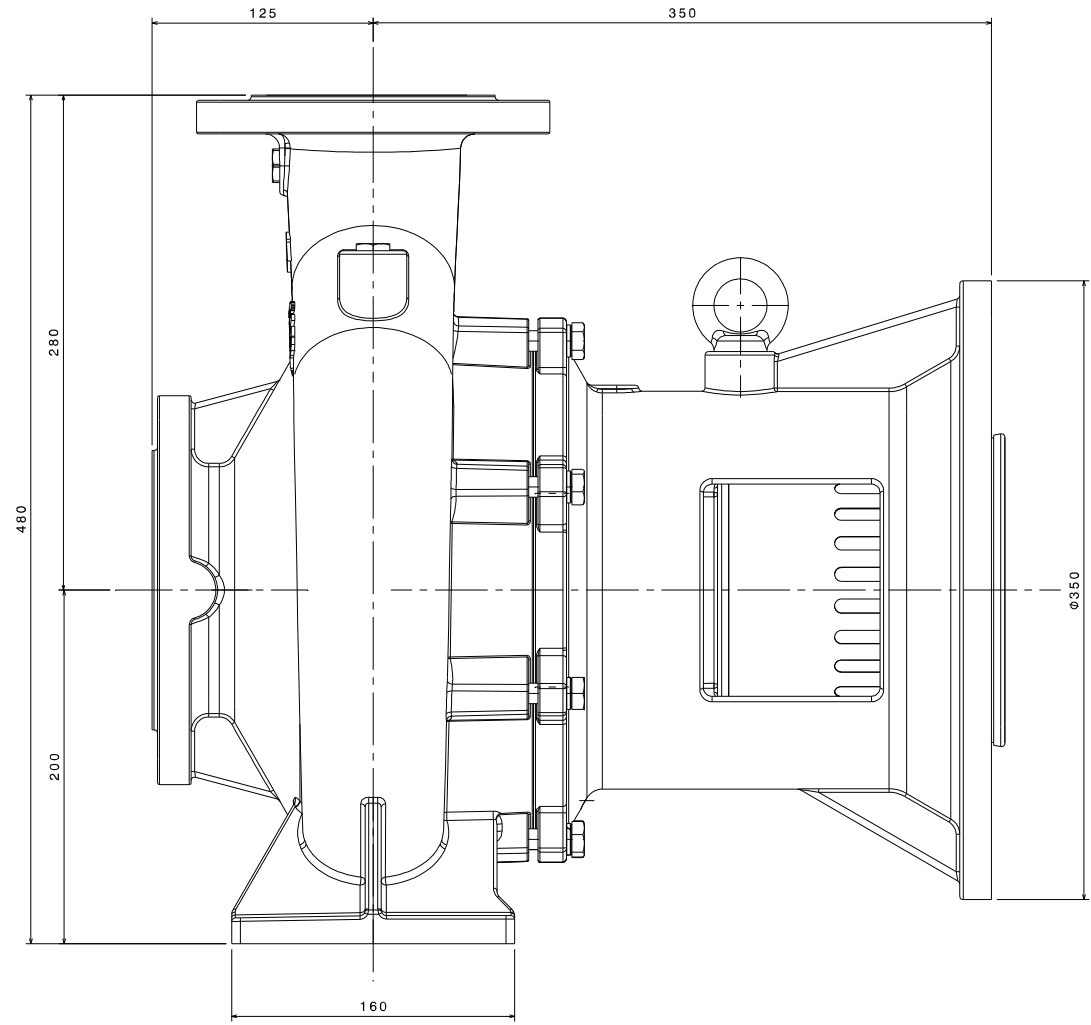
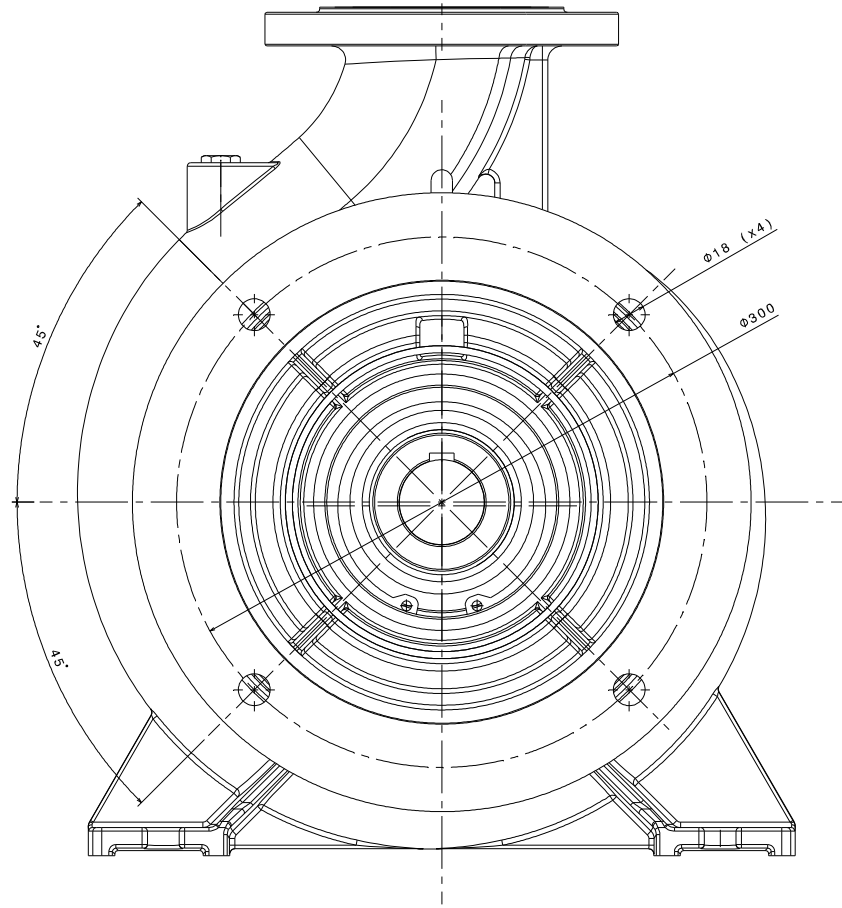
Receiver	From	
Company name		
Respons. Department		
Person in charge		
Phone number		
Fax no		
E-mail address		

Operating area	Flow	Head	Impeller type
Operating data specification	0 US g.p.m.	0 ft	Impeller construction: Closed
Pump data	US g.p.m.	ft	Sense of rotation: Clockwise from the drive end
			Outlet width: DN 80
	Flow	Head	Shaft power P2
	Min. Max. η Max.	H(Q=0) η Max.	P2(Q=0) Max. η Max.
	US g.p.m. US g.p.m. US g.p.m.	ft ft	hp hp hp
	220 880 559	122 113	25.1 19.5
			Speed rpm: 1800
			Frequency Hz: 60 Hz

Performance data based to: Water, pure [100%] ; 68°F; 62.3lb/ft³; 1.08E-5ft²/s UNI EN ISO 9906:2012 - Grade 3B



Project	Project ID	Created by	Created on	Last update
			2022-09-26	



MATERIALE		TRATTAMENTO TERMICO	
DESIGNATO DG	DATA 16-07-2021	QUOTE ESTIMA TOLLEMANIA Secondo ISO 2768-m	SCALA PAGGI NON QUOTATI 2.3
APPROVATO	DATA	SMISSIONI QUOTATI	
DESCRIZIONE COMPLESSIVO MG1 80-250		PESO GREZZO	PESO FINITO
SAER ELETTROPOMPE S.p.A. - ITALY		GRUPPO MG1 80-250	VERSIONE 00
CODICE		GRUPPO	VERSIONE
P22047A005			

Proprietà della SAER ELETTROPOMPE S.p.A. - Senza autorizzazione scatta della stessa, il presente disegno non potrà essere utilizzato per la costruzione di progetti riprodotti, né venire comunicato a terzi o prodotti. La società si riserva tutti i propri diritti a rigore di legge.

All proprietary rights reserved by SAER ELETTROPOMPE S.p.A. - This drawing shall not be reproduced, or in any way utilized, for the manufacture of the equipment or unit herein illustrated and must not be released to other parties, without written consent. Any infringement will be legally pursued.