



Technical Data

End Suction Pump - EA32/16

Revision no.

Page:
 1

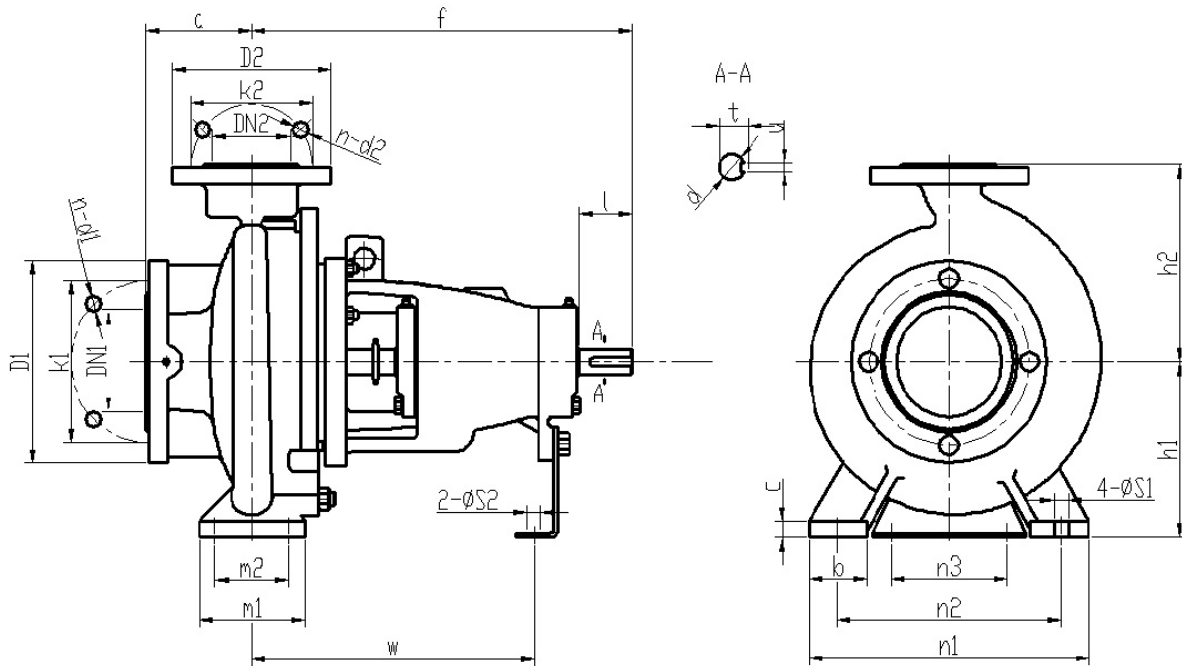
	Receiver	From
Company name		
Respons. Department		
Person in charge		
Phone number		
Fax no		
E-mail address		



Brand: Gol Pumps
Model: EA32/16

Weight (lb)	
Pump	78

Dimensions:



Flange standard: ISO7005.2 DIN2501 PN16 GB/T17241.6 PN1.6													
DN1 / DN2	1.25	1.5	2	2.5	3	4	5	6	8	10	12	14	16
D1 / D2	5.5	5.9	6.5	7.3	7.9	8.7	9.8	11.2	13.4	15.9	18.1	20.5	22.8
K1 / K2	3.9	4.3	4.9	5.7	6.3	7.1	8.3	9.4	11.6	14.0	16.1	18.5	20.7
n-d1 / n-d2	4-Ø18	4-Ø18	4-Ø18	4-Ø18	8-Ø18	8-Ø18	8-Ø18	8-Ø22	12-Ø22	12-Ø26	12-Ø26	16-Ø26	16-Ø30

Bearing inner diameter	Inlet and outlet flange	
	DN1	DN2
1	2	1.25

Pump installation size (inch)																	
a	f	h1	h2	b	c	n3	m1	m2	n1	n2	S1	S2	w	d	l	t	u
3	14.2	5.2	6.3	2	0.6	4	4	2.7	9.5	7.5	0.6	0.6	10.5	1	2	1.1	0.3

Project	Project ID	Created by	Created on	Last update
---------	------------	------------	------------	-------------



Performance Curves

End Suction Pump - EA32/16

Revision no.

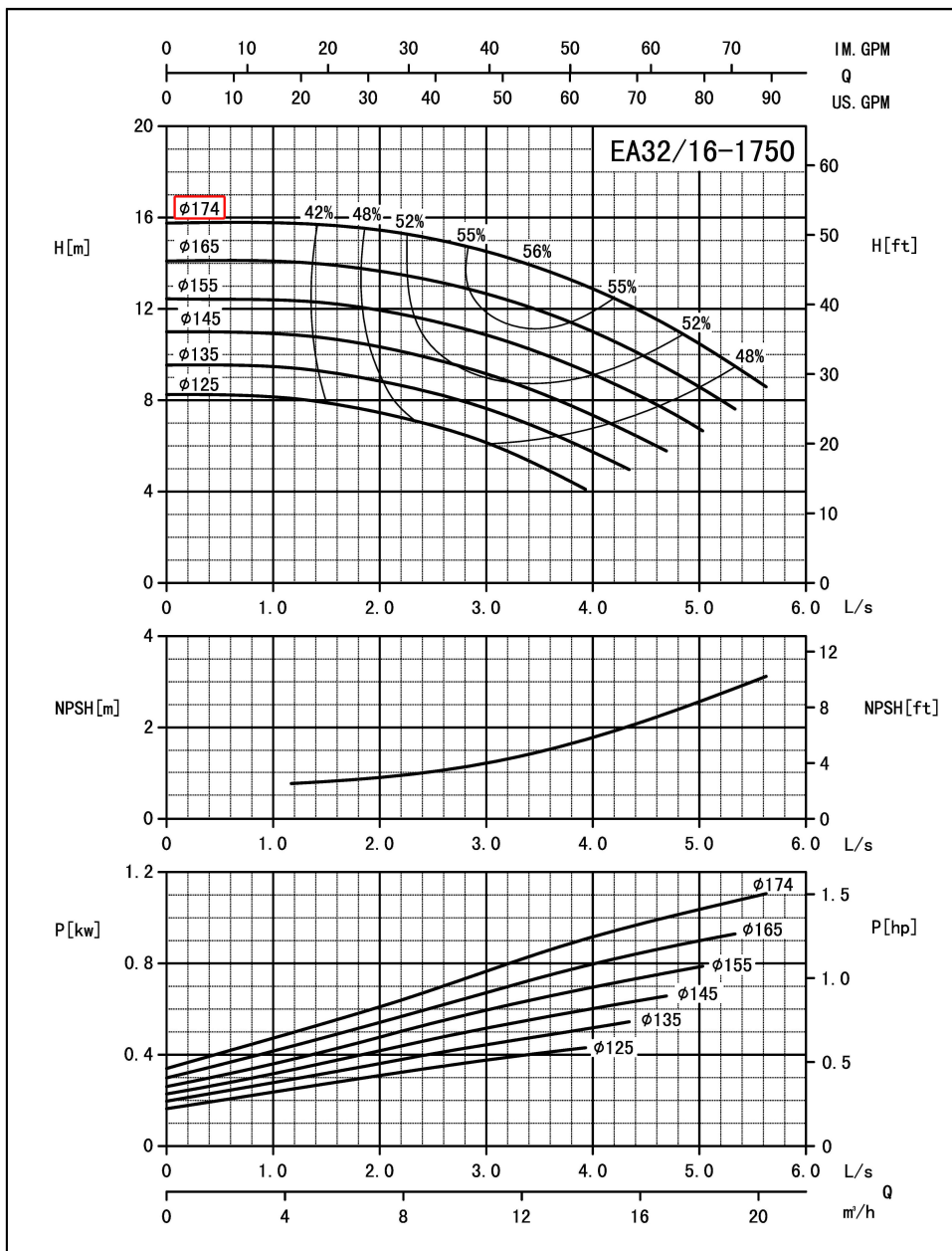
Page:
2

Receiver

From

Company name
Respons. Department
Person in charge
Phone number
Fax no
E-mail address

Model	Capacity			Head		Speed r/min	Power			Motor Model	Eff %	Impeller Dia. mm/in	In mm/in	OUT mm/in	
	m ³ /h	L/s	GPM	m	ft		Shaft kw	Motor kw	HP						
	EA32/16	5.2	1.75	22.9	15.4		50.6	1750	0.46						0.75
	8.7	2.91	38.3	14.7	48.3	0.63	1.1	1.5	1.1KW	55	2				
	10.4	3.49	45.8	13.8	45.4	0.70	1.1	1.5	1.1KW	56	2.2				



Performance to ISO9906 Grade 2 for clean cold water only

EF-A01/1405

Project	Project ID	Created by	Created on	Last update
---------	------------	------------	------------	-------------



Performance Curves

End Suction Pump - EA32/16

Revision no.

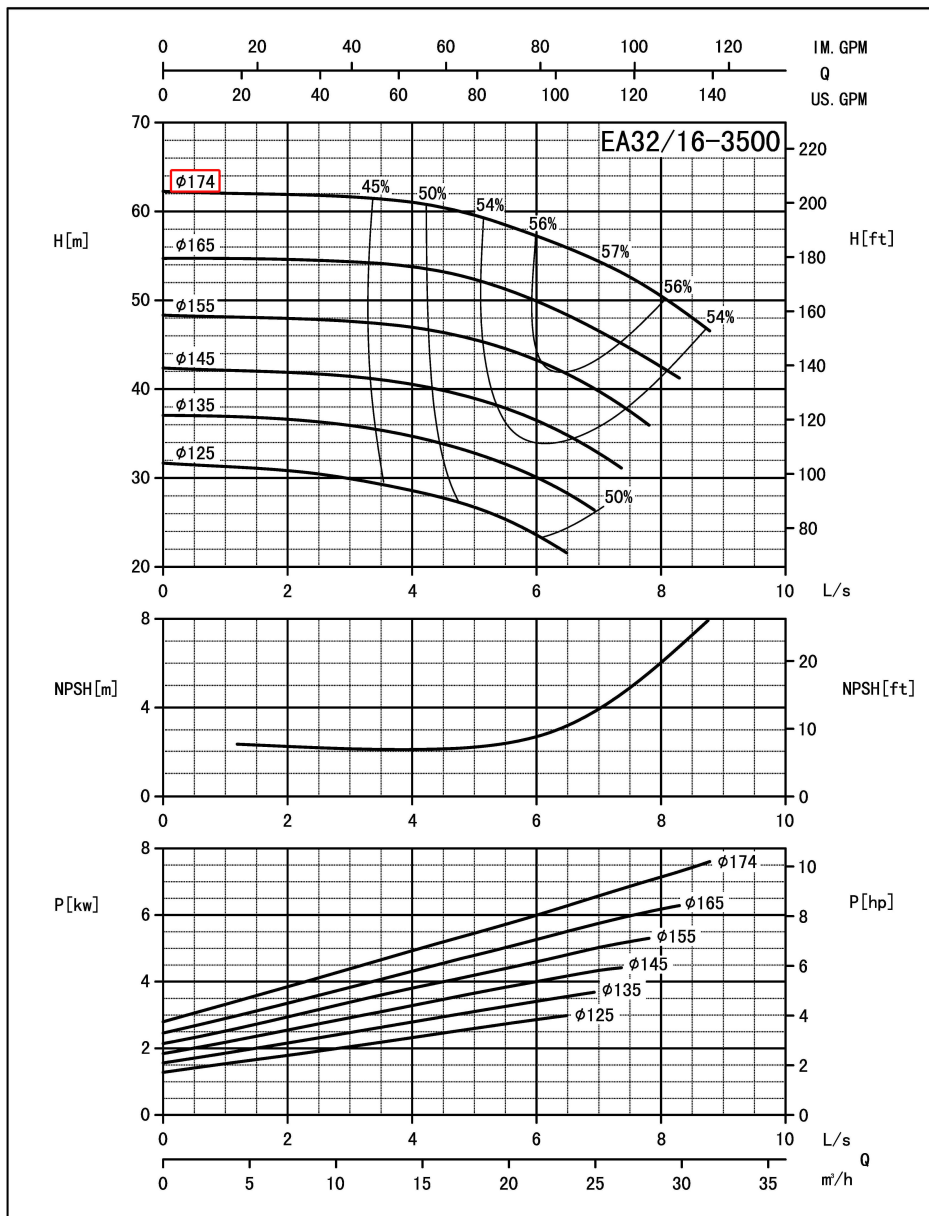
Page:
3

Receiver

From

Company name
Respons. Department
Person in charge
Phone number
Fax no
E-mail address

Model	Capacity			Head		Speed	Power			Motor Model	Eff	Impeller Dia.	In	OUT	
	m ³ /h	L/s	GPM	m	ft		Shaft	Motor	HP						
EA32/16	13.0	3.62	57.2	61.2	200.7	3500	4.67	5.5	7.5	Y2-132S2-2 7.5KW	46.5	1.9	174(6.85")	50(2")	32(1.25")
	21.7	6.03	95.5	56.8	186.3		6.00	7.5	10.0		56	2.2			
	26.1	7.24	114.9	53.2	174.4		6.65	7.5	10.0		56.7	3.7			



Performance to ISO9906 Grade 2 for clean cold water only

EF-A01/1405

Project	Project ID	Created by	Created on	Last update
---------	------------	------------	------------	-------------