



# Technical Data

## End Suction Pump - EA50/26

Revision no.

 Page:  
1

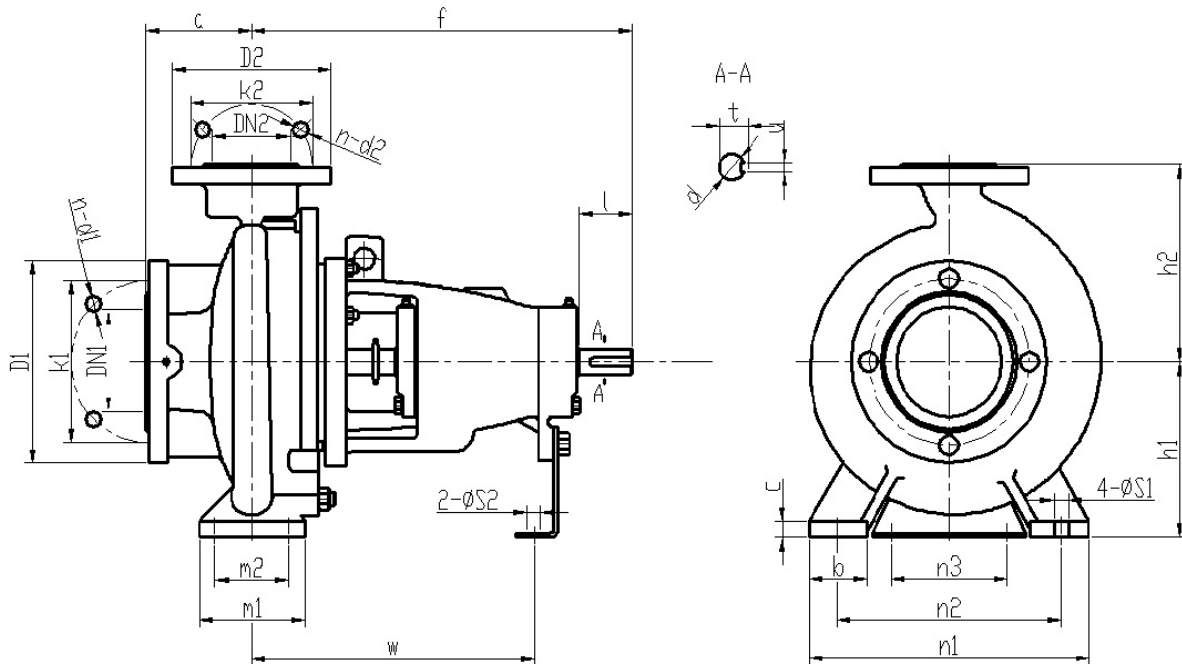
Receiver

From

 Company name  
 Respons. Department  
 Person in charge  
 Phone number  
 Fax no  
 E-mail address


**Brand: Gol Pumps**  
**Model: EA50/26**

Weight (lb)	
Pump	150

**Dimensions:**


Flange standard: ISO7005.2 DIN2501 PN16 GB/T17241.6 PN1.6

	1.25	1.5	2	2.5	3	4	5	6	8	10	12	14	16
DN1 / DN2	5.5	5.9	6.5	7.3	7.9	8.7	9.8	11.2	13.4	15.9	18.1	20.5	22.8
K1 / K2	3.9	4.3	4.9	5.7	6.3	7.1	8.3	9.4	11.6	14.0	16.1	18.5	20.7
n-d1 / n-d2	4-Ø18	4-Ø18	4-Ø18	4-Ø18	8-Ø18	8-Ø18	8-Ø18	8-Ø22	12-Ø22	12-Ø26	12-Ø26	16-Ø26	16-Ø30

Bearing inner diameter	Inlet and outlet flange	
	DN1	DN2
1	2.5	2

**Pump installation size (inch)**

a	f	h1	h2	b	c	n3	m1	m2	n1	n2	S1	S2	w	d	l	t	u
4	14.1	7.1	9	2.5	0.6	4.3	5	3.8	12.6	10	0.6	0.6	10.5	1	2	1.1	0.3

Project

Project ID

Created by

Created on

Last update



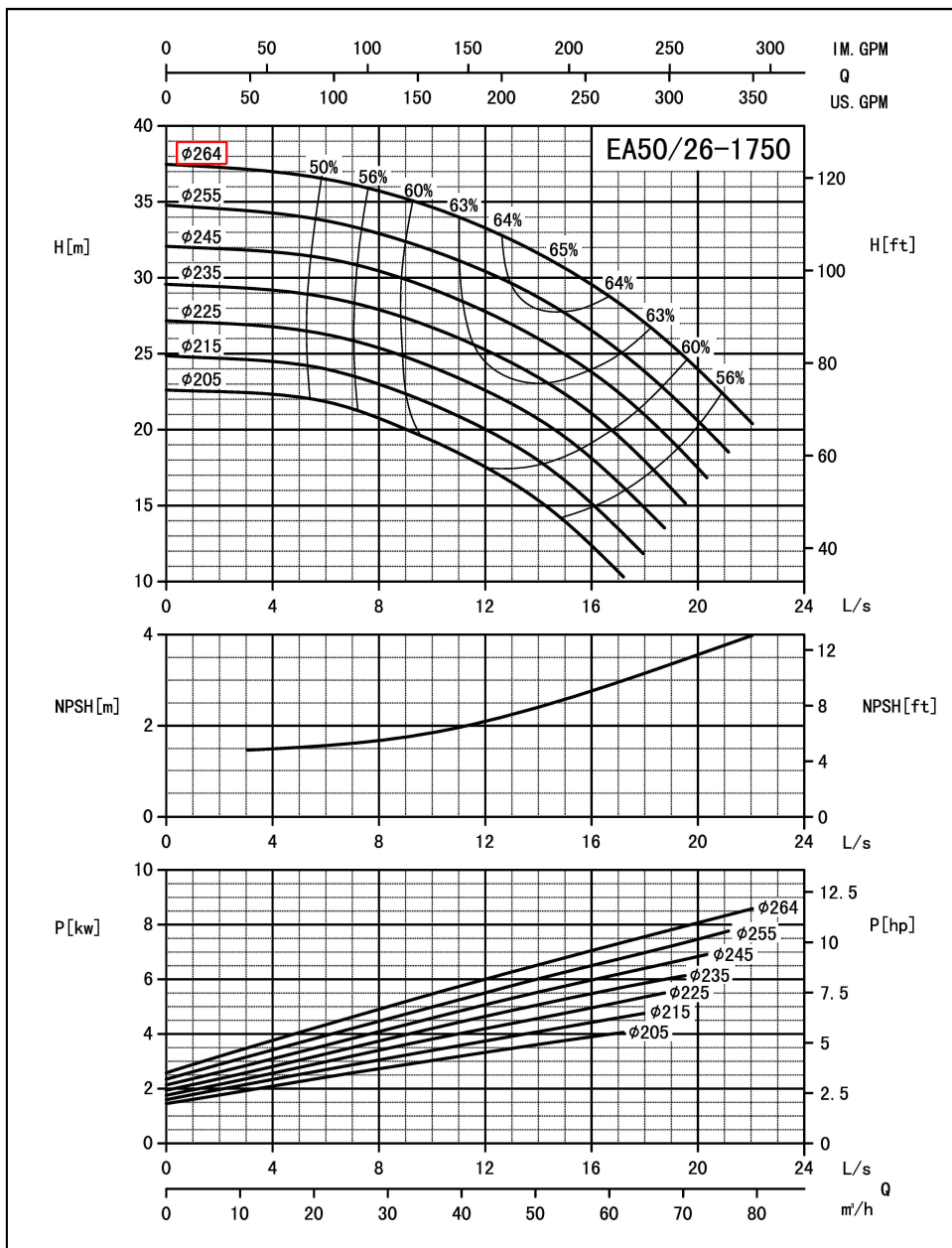
# Performance Curves

## End Suction Pump - EA50/26

Revision no. \_\_\_\_\_  
Page: 2

Receiver		From	
Company name			
Respons. Department			
Person in charge			
Phone number			
Fax no			
E-mail address			

Model	Capacity			Head		Speed r/min	Power			Motor Model	Eff %	Impeller Dia. mm/in	In mm/in	OUT mm/in	
	m <sup>3</sup> /h	L/s	GPM	m	ft		Shaft kw	Motor kw	HP						
EA50/26	19.2	6.44	84.5	36.4	119.4	1750	3.59	5.5	7.4	Y2-132M-4 7.5KW	53	1.7	264(10.4")	65(2.5")	50(2")
	32.0	10.73	140.9	34.2	112.3		4.73	5.5	7.4		63	1.8			
	38.4	12.88	169	32.5	106.5		5.31	7.5	10.1		64	1.9			



Performance to ISO9906 Grade 2 for clean cold water only

EF-A01/1405

Project	Project ID	Created by	Created on	Last update
---------	------------	------------	------------	-------------