



Technical Data

End Suction Pump - EA65/20

Revision no.

 Page:
1

Receiver

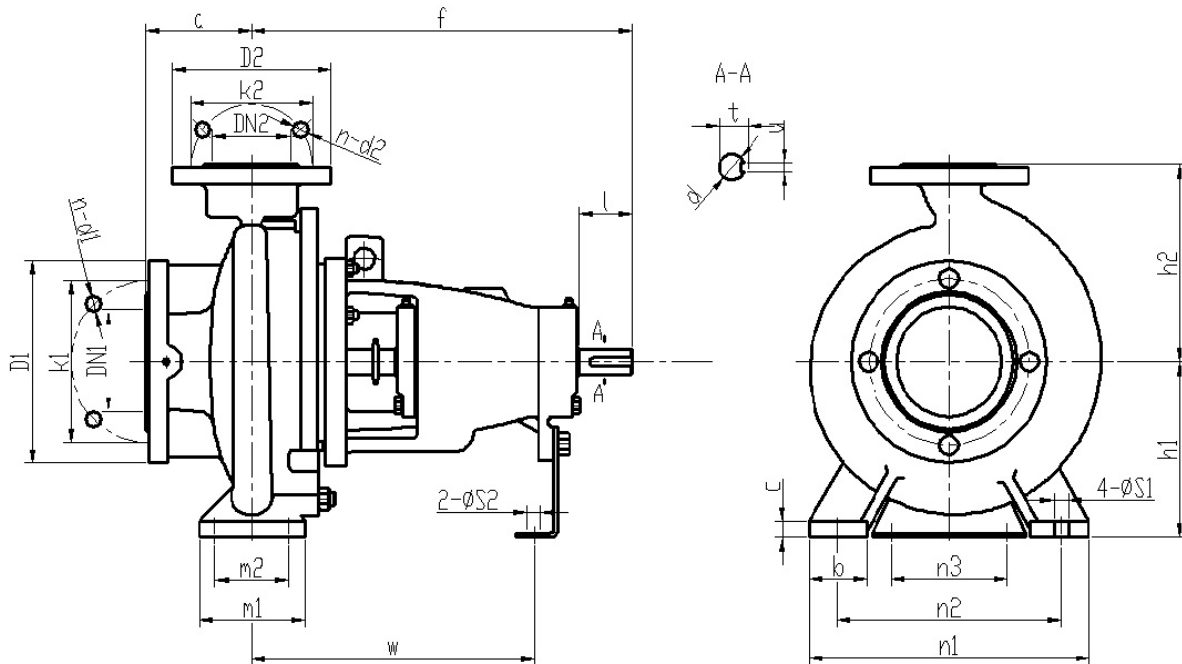
From

 Company name
 Respons. Department
 Person in charge
 Phone number
 Fax no
 E-mail address



Brand: Gol Pumps
Model: EA65/20

Weight (lb)	
Pump	121

Dimensions:


Flange standard: ISO7005.2 DIN2501 PN16 GB/T17241.6 PN1.6

	1.25	1.5	2	2.5	3	4	5	6	8	10	12	14	16
DN1 / DN2	5.5	5.9	6.5	7.3	7.9	8.7	9.8	11.2	13.4	15.9	18.1	20.5	22.8
K1 / K2	3.9	4.3	4.9	5.7	6.3	7.1	8.3	9.4	11.6	14.0	16.1	18.5	20.7
n-d1 / n-d2	4-Ø18	4-Ø18	4-Ø18	4-Ø18	8-Ø18	8-Ø18	8-Ø18	8-Ø22	12-Ø22	12-Ø26	12-Ø26	16-Ø26	16-Ø30

Bearing inner diameter	Inlet and outlet flange	
	DN1	DN2
1	3	2.5

Pump installation size (inch)

a	f	h1	h2	b	c	n3	m1	m2	n1	n2	S1	S2	w	d	l	t	u
4	14.1	7.1	8.9	2.5	0.6	4.3	5	3.7	12.6	9.8	0.6	0.6	10.5	1	2	1.1	0.3

Project

Project ID

Created by

Created on

Last update



Performance Curves

End Suction Pump - EA65/20

Revision no.

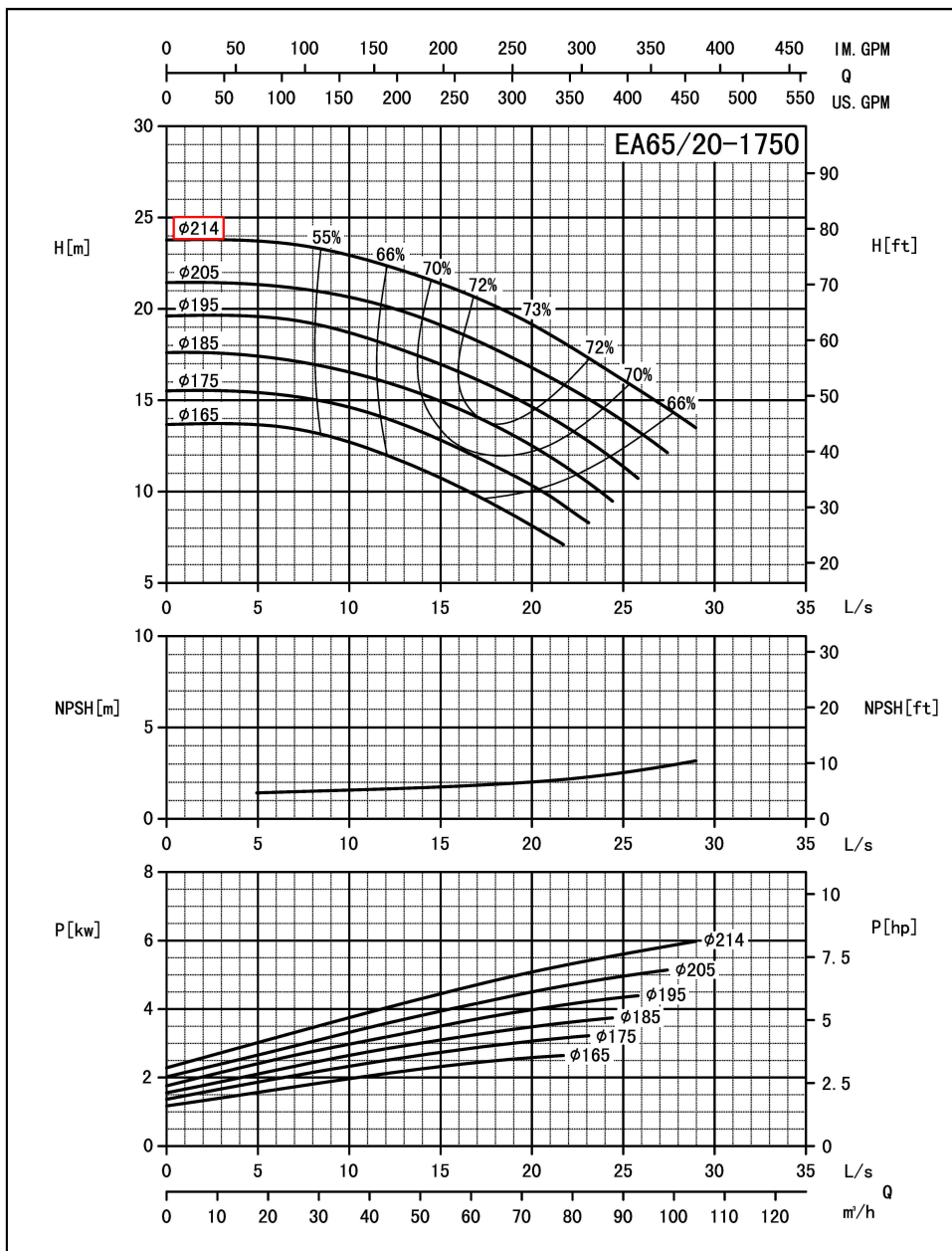
Page:
2

Receiver

From

Company name
Respons. Department
Person in charge
Phone number
Fax no
E-mail address

Model	Capacity			Head		Speed r/min	Power			Motor Model	Eff %	Impeller Dia. mm/in	In mm/in	OUT mm/in	
	m ³ /h	L/s	GPM	m	ft		Shaft kw	Motor kw	HP						
EA65/20	33.0	11.06	145.3	22.7	74.5	1750	3.14	4	5.4	Y2-132S-4 5.5KW	65	1.7	214 (8.4")	80 (3")	65(2.5")
	55.0	18.43	242.2	20.0	65.5		4.12	5.5	7.4		72.5	1.9			
	66.0	22.12	290.6	16.6	54.5		4.20	5.5	7.4		71	2.1			



Performance to ISO9906 Grade 2 for clean cold water only

EF-A01/1405

Project	Project ID	Created by	Created on	Last update
---------	------------	------------	------------	-------------