



Technical Data

End Suction Pump - EA80/40

Revision no.

 Page:
1

Receiver

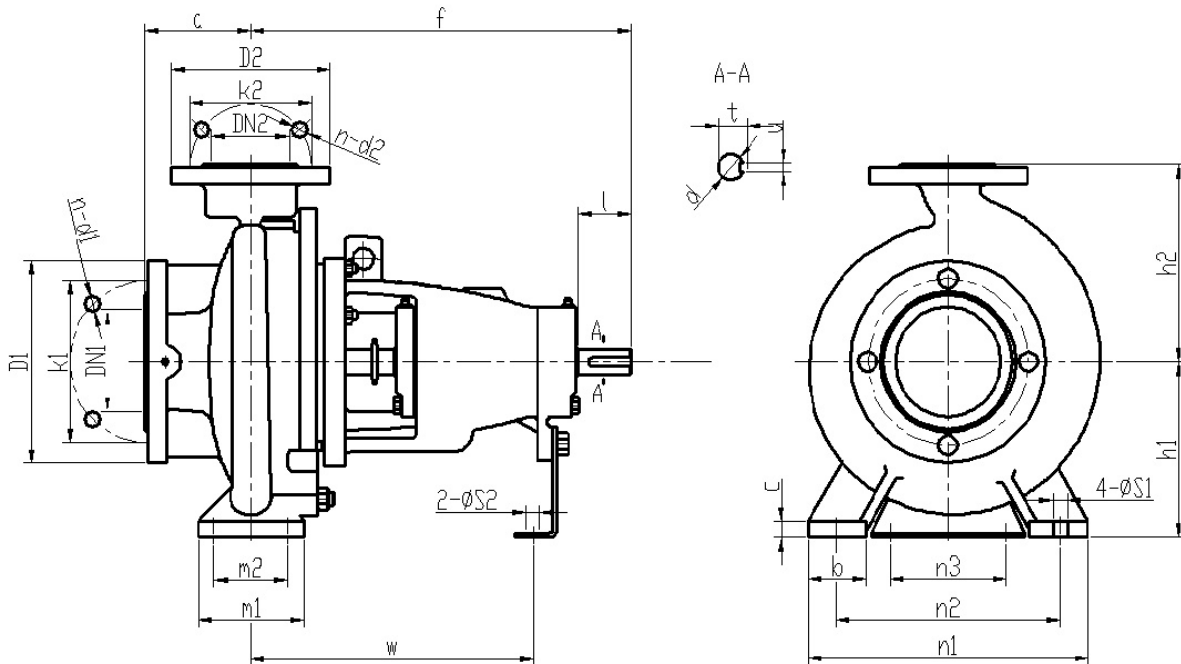
From

 Company name
 Respons. Department
 Person in charge
 Phone number
 Fax no
 E-mail address



Brand: Gol Pumps
Model: EA80/40

Weight (lb)	
Pump	353

Dimensions:


Flange standard: ISO7005.2 DIN2501 PN16 GB/T17241.6 PN1.6

	1.25	1.5	2	2.5	3	4	5	6	8	10	12	14	16
DN1 / DN2	5.5	5.9	6.5	7.3	7.9	8.7	9.8	11.2	13.4	15.9	18.1	20.5	22.8
K1 / K2	3.9	4.3	4.9	5.7	6.3	7.1	8.3	9.4	11.6	14.0	16.1	18.5	20.7
n-d1 / n-d2	4-Ø18	4-Ø18	4-Ø18	4-Ø18	8-Ø18	8-Ø18	8-Ø18	8-Ø22	12-Ø22	12-Ø26	12-Ø26	16-Ø26	16-Ø30

Bearing inner diameter	Inlet and outlet flange	
	DN1	DN2
1.8	4	3

Pump installation size (inch)

a	f	h1	h2	b	c	n3	m1	m2	n1	n2	S1	S2	w	d	l	t	u
5	21	11	14	3.2	0.7	4.3	6.3	4.7	17.3	13.4	0.7	0.6	14.6	1.7	4.3	1.8	0.5

Project

Project ID

Created by

Created on

Last update



Performance Curves

End Suction Pump - EA80/40

Revision no.

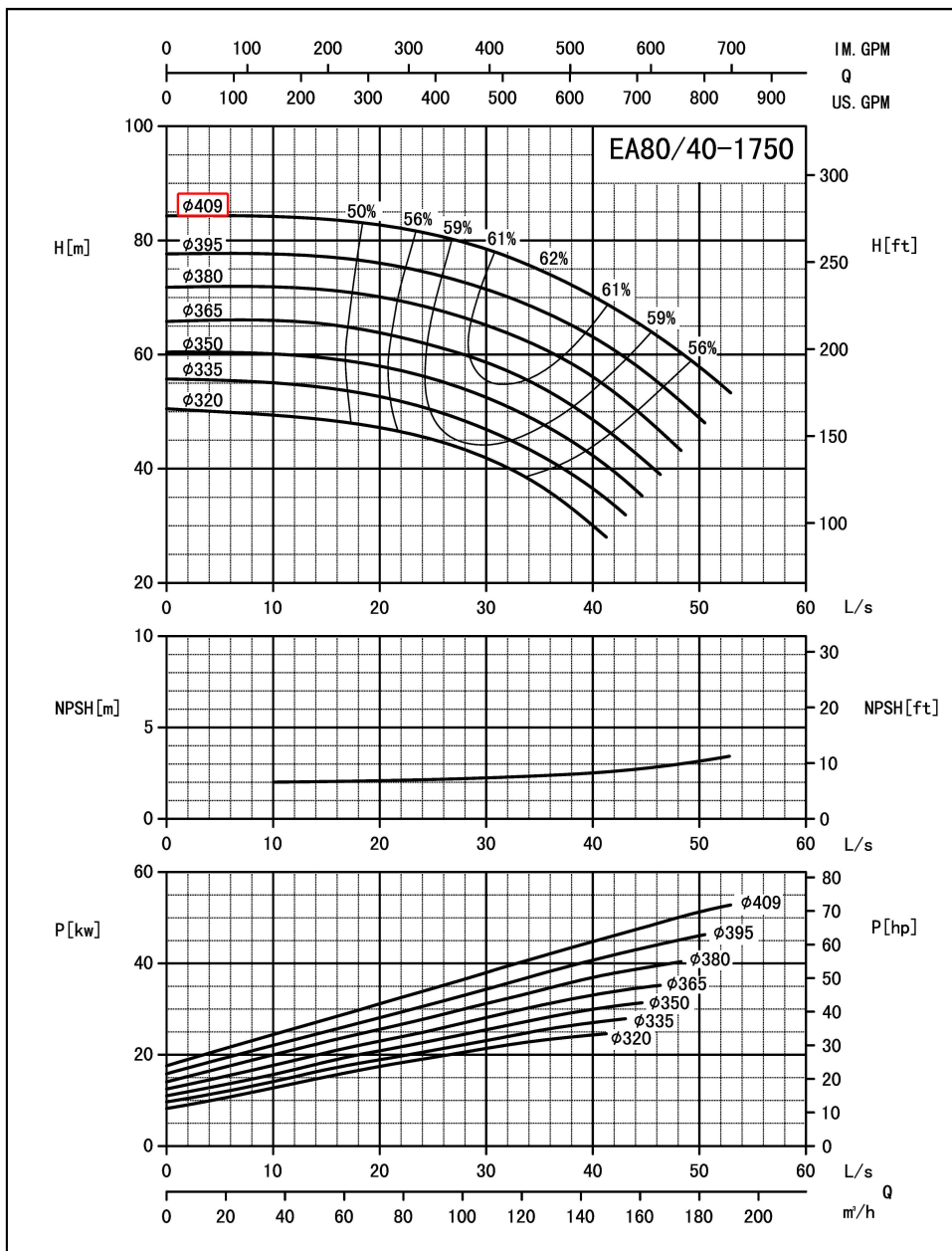
Page:
2

Receiver

From

Company name
Respons. Department
Person in charge
Phone number
Fax no
E-mail address

Model	Capacity			Head		Speed r/min	Power			Motor Model	Eff %	Impeller Dia. mm/in	In mm/in	OUT mm/in	
	m ³ /h	L/s	GPM	m	ft		Shaft kw	Motor kw	HP						
EA80/40	72.4	20.12	318.8	82.3	269.9	1750	31.50	37	50.0	Y2-250M-4 55KW	51.5	1.8	409(16.1")	100(4")	80(3")
	120.7	33.53	531.4	76.0	249.4		40.62	55	75.0		61.5	2			
	144.8	40.23	637.5	69.6	228.4		44.86	55	75.0		61.2	2.3			



Performance to ISO9906 Grade 2 for clean cold water only

EF-A01/1405

Project	Project ID	Created by	Created on	Last update
---------	------------	------------	------------	-------------