



# Technical Data

## End Suction Pump - EAX50/20

Revision no.

Page:  
 1

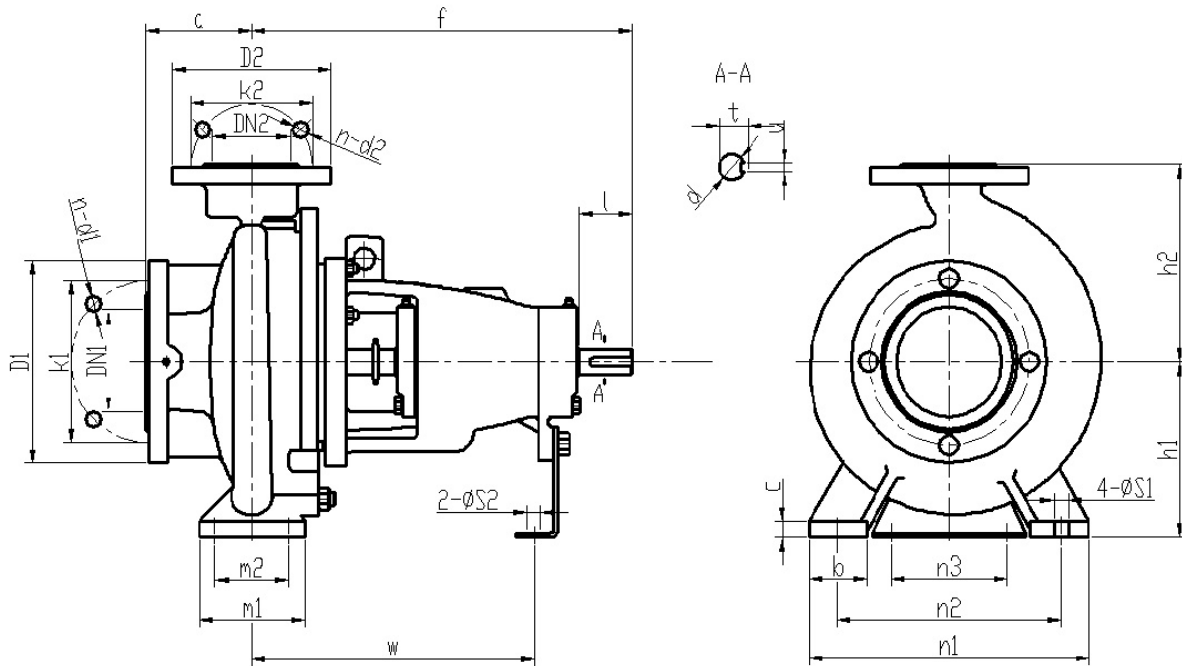
	Receiver	From
Company name		
Respons. Department		
Person in charge		
Phone number		
Fax no		
E-mail address		



**Brand: Gol Pumps**  
**Model: EAX50/20**

Weight (lb)	
Pump	109

**Dimensions:**



Flange standard: ISO7005.2 DIN2501 PN16 GB/T17241.6 PN1.6													
DN1 / DN2	1.25	1.5	2	2.5	3	4	5	6	8	10	12	14	16
D1 / D2	5.5	5.9	6.5	7.3	7.9	8.7	9.8	11.2	13.4	15.9	18.1	20.5	22.8
K1 / K2	3.9	4.3	4.9	5.7	6.3	7.1	8.3	9.4	11.6	14.0	16.1	18.5	20.7
n-d1 / n-d2	4-Ø18	4-Ø18	4-Ø18	4-Ø18	8-Ø18	8-Ø18	8-Ø18	8-Ø22	12-Ø22	12-Ø26	12-Ø26	16-Ø26	16-Ø30

Bearing inner diameter	Inlet and outlet flange	
	DN1	DN2
1	2.5	2

Pump installation size (inch)																	
a	f	h1	h2	b	c	n3	m1	m2	n1	n2	S1	S2	w	d	l	t	u
4	14.1	6.3	8	2	0.6	4.3	4	2.8	10.5	8.5	0.6	0.6	10.5	1	2	1.1	0.3

Project	Project ID	Created by	Created on	Last update
---------	------------	------------	------------	-------------



# Performance Curves

## End Suction Pump - EAX50/20

Revision no.

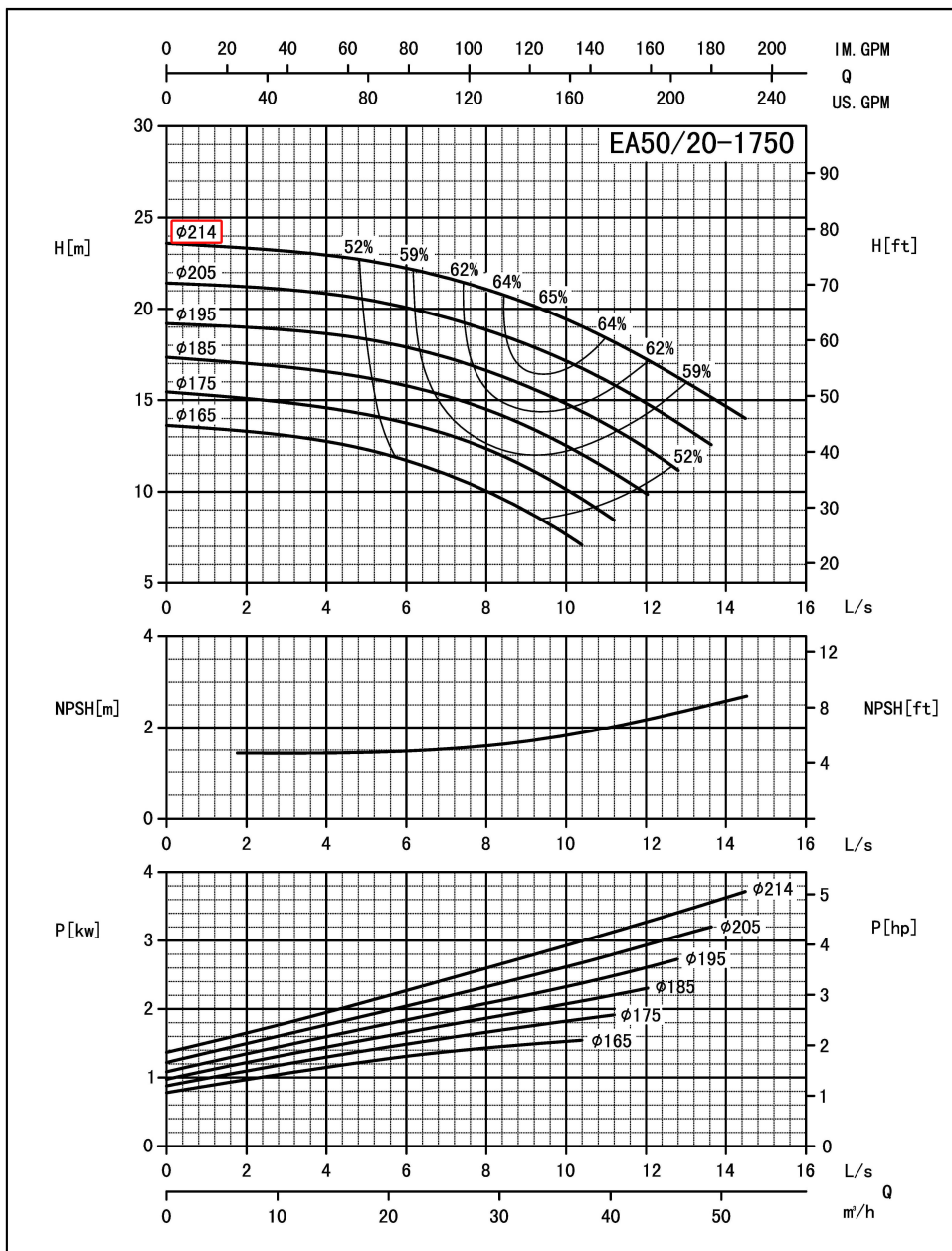
Page:  
2

Receiver

From

Company name  
Respons. Department  
Person in charge  
Phone number  
Fax no  
E-mail address

Model	Capacity			Head		Speed r/min	Power			Motor Model	Eff %	Impeller Dia. mm/in	In mm/in	OUT mm/in			
	m <sup>3</sup> /h	L/s	GPM	m	ft		Shaft kw	Motor kw	HP								
EA50/20	18.0	6.03	79.3	22.3	73.1	1750	1.85	2.2	3.0	Y2-112M-4 4KW	59	1.3	214(8.5")	65(2.5")	50(2")		
	30.0	10.05	132.1	19.4	63.5		2.43	3	4.0							65	1.5
	36.0	12.06	158.5	17.2	56.4		2.72	4	5.4							62	1.8



Performance to ISO9906 Grade 2 for clean cold water only

EF-A01/1405

Project

Project ID

Created by

Created on

Last update



# Performance Curves

## End Suction Pump - EAX50/20

Revision no. \_\_\_\_\_

Page: 3

Receiver \_\_\_\_\_

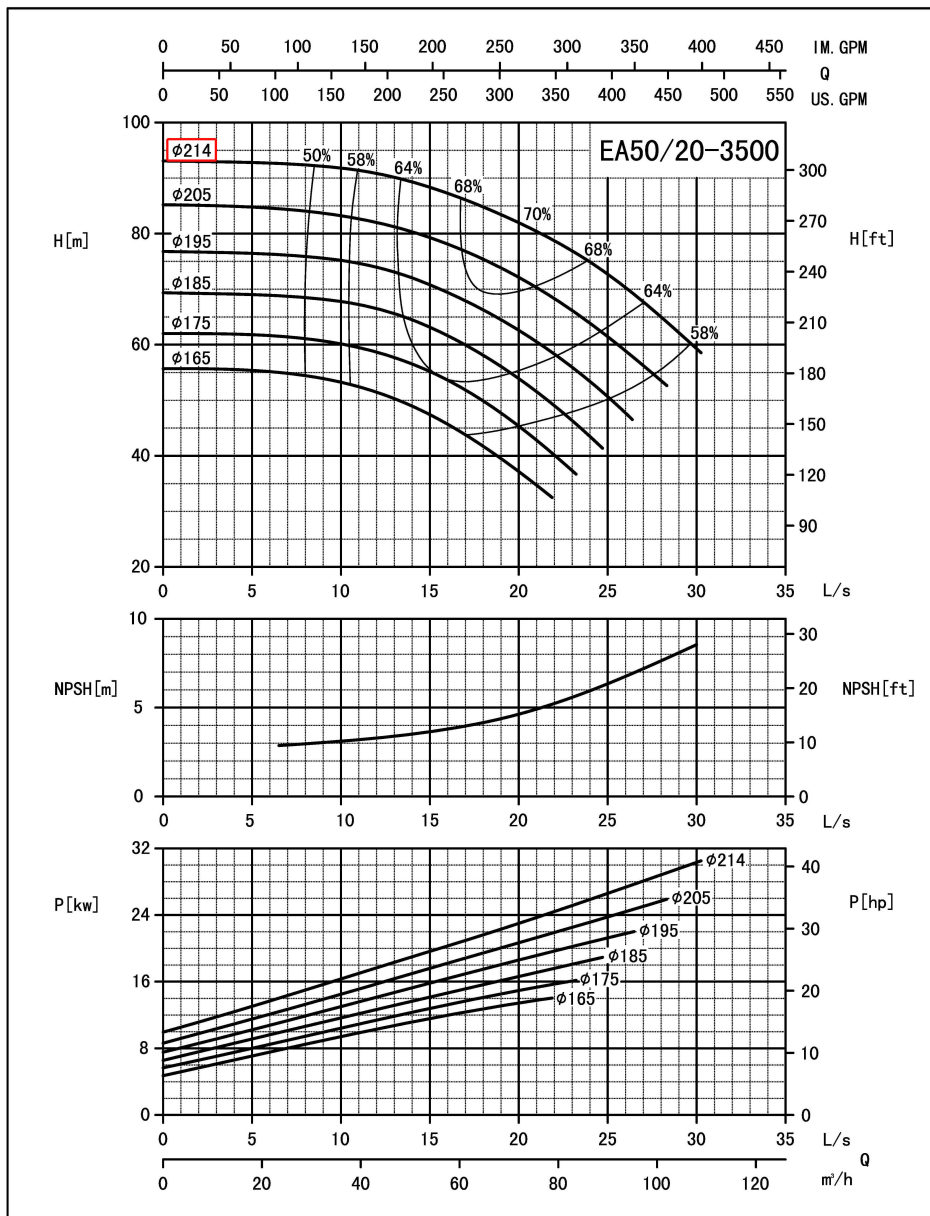
From \_\_\_\_\_

Company name \_\_\_\_\_  
 Respons. Department \_\_\_\_\_  
 Person in charge \_\_\_\_\_  
 Phone number \_\_\_\_\_  
 Fax no \_\_\_\_\_  
 E-mail address \_\_\_\_\_

\_\_\_\_\_

\_\_\_\_\_

Model	Capacity			Head		Speed	Power			Motor Model	Eff %	Impeller Dia. m	In mm/in	OUT mm/in	
	m <sup>3</sup> /h	L/s	GPM	m	ft		Shaft kw	Motor kw	HP						
EA50/20	43.5	12.07	191.5	90.3	296.2	3500	18.42	22	29.5	Y2-200L1-2 30KW	58	2.2	214(8.5")	65(2.5")	50(2")
	72.4	20.12	318.8	81.6	267.5		22.98	30	40.2		70	3.2			
	86.9	24.14	382.6	74.3	243.7		25.85	30	40.2		68	4			



Performance to ISO9906 Grade 2 for clean cold water only

EF-A01/1405

Project _____	Project ID _____	Created by _____	Created on _____	Last update _____
---------------	------------------	------------------	------------------	-------------------