



Technical Data

End Suction Pump - EAZS32/13-03002 (SS316)

Revision no. _____ Page: 1

Company name
 Respons. Department
 Person in charge
 Phone number
 Fax no
 E-mail address

Receiver	From



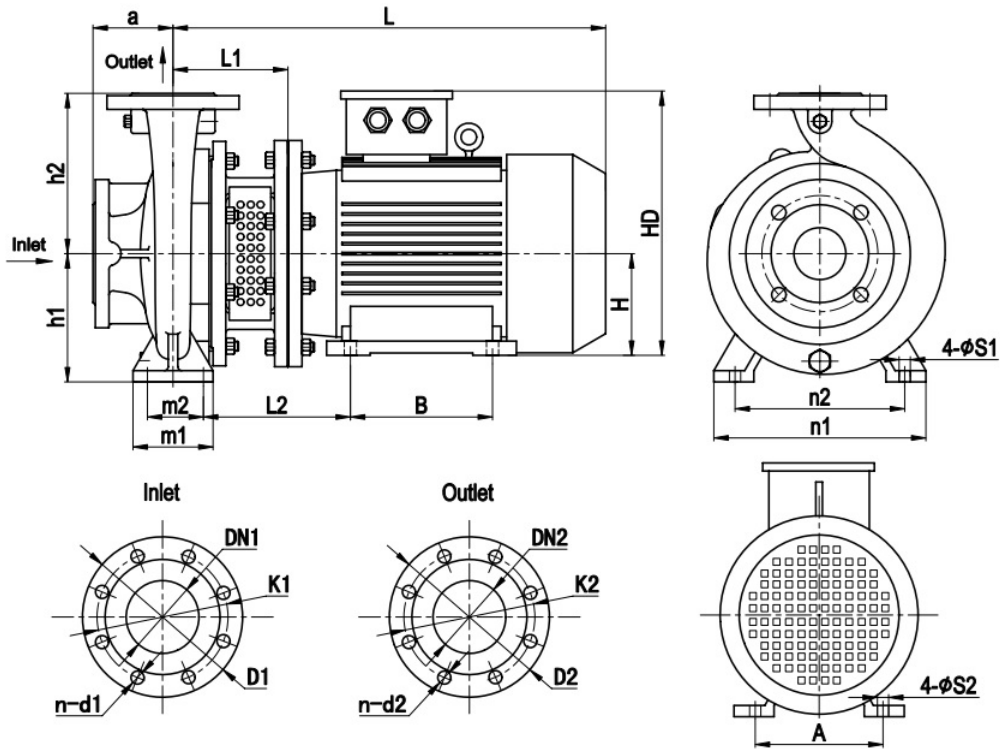
Brand: Gol Pumps
Model: EAZS32/13-03002 (SS316)

Motor (B35)	
Model	hp
Y2-100L-2	4

Weight (lb)		
Pump	Motor	Pump & motor
64	97	161

Pump Material	Stainless Steel 316/AISI 316
Casing	Stainless Steel 316/AISI 316
Impeller	Stainless Steel 316/AISI 316
Shaft	Stainless Steel 316/AISI 316
Mechanical Seal	Silicon Carbide

Dimensions:



	ISO7005.2 DIN2501 PN16 GB/T17241.6 PN1.6									
DN1 / DN2	1.25	1.5	2	2.5	3	4	5	6	8	
D1 / D2	5.51	5.91	6.50	7.28	7.87	8.66	9.84	11.22	13.39	
K1 / K2	3.94	4.33	4.92	5.71	6.30	7.09	8.27	9.45	11.61	
n-d1 / n-d2	4-Ø18	4-Ø18	4-Ø18	4-Ø18	8-Ø18	8-Ø18	8-Ø18	8-Ø22	12-Ø22	

Inlet and outlet flange	
DN1	DN2
2	1.25

Pump installation size (inch)															
a	h1	h2	L1	L2	L	A	B	H	HD	m1	m2	n1	n2	S1	S2
3.1	4.4	5.5	6.5	7.6	19.3	6.3	5.5	3.9	10.6	3.9	2.8	7.5	5.5	0.6	0.5

Project	Project ID	Created by	Created on	Last update



Performance Curves

End Suction Pump - EAZS32/13-03002 (SS316)

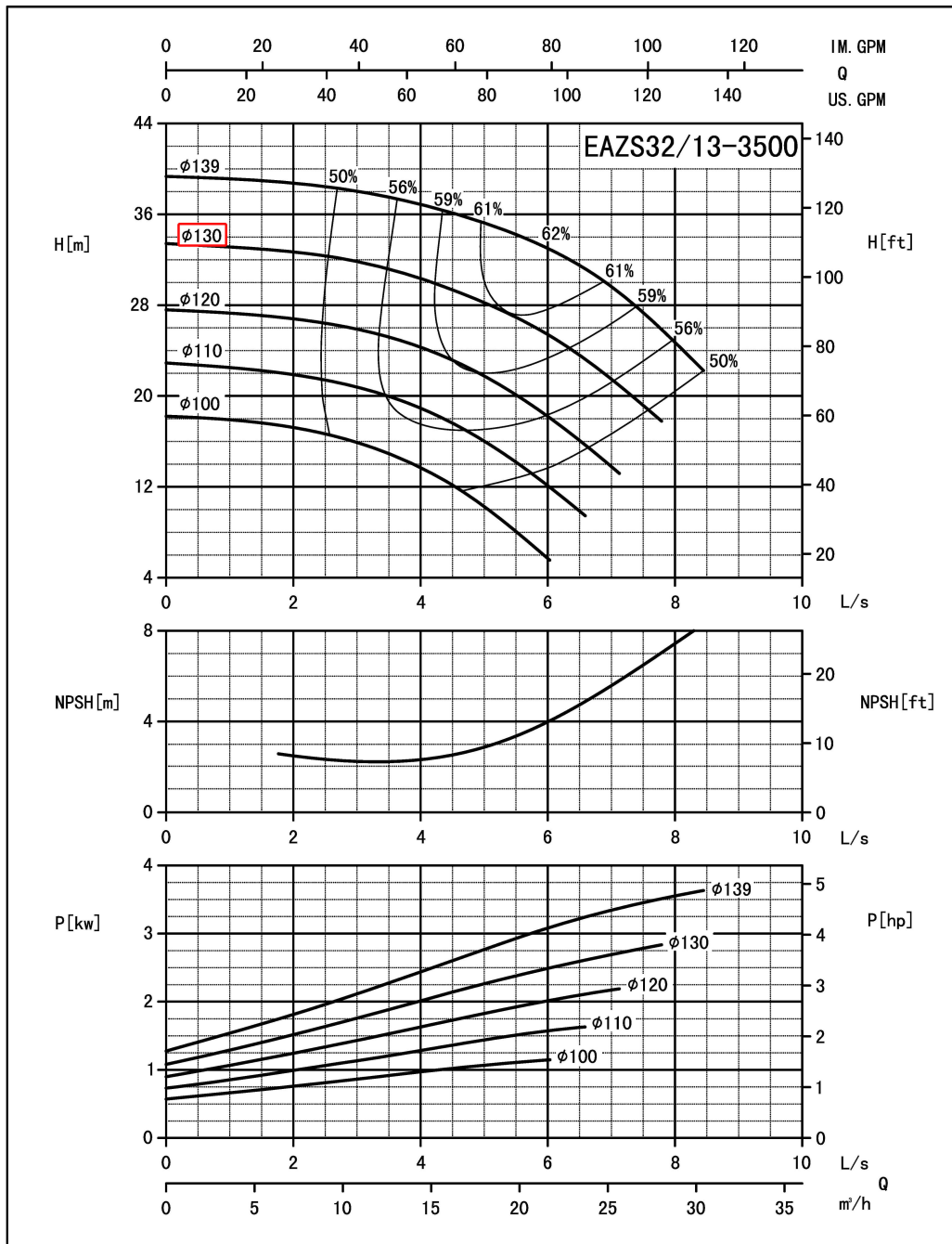
Revision no. _____

Page: 2

Receiver	From

Company name
 Respons. Department
 Person in charge
 Phone number
 Fax no
 E-mail address

Model	Capacity		Head ft	Speed r/min	Power (kw)		Motor (hp)	Efficiency %	Impeller Diam. inch	(NPSH) r ft
	m ³ /h	gpm			Shaft	Motor				
EAZS32/13-03002	10.2	44.8	105.1	3500	1.7	2.2	3	51.5	5.1	4.6
	16.9	74.6	94.1		2.2	3	4	60		5.6
	20.3	89.5	86		2.4	3	4	60.5		8.2



Performance to ISO9906 Grade 2 for clean cold water only

EF•A01/1406

Project	Project ID	Created by	Created on	Last update
---------	------------	------------	------------	-------------