



# Technical Data

## End Suction Pump - EAZS32/16-05502

Revision no. \_\_\_\_\_  
Page: 1

|                     | Receiver | From |
|---------------------|----------|------|
| Company name        |          |      |
| Respons. Department |          |      |
| Person in charge    |          |      |
| Phone number        |          |      |
| Fax no              |          |      |
| E-mail address      |          |      |

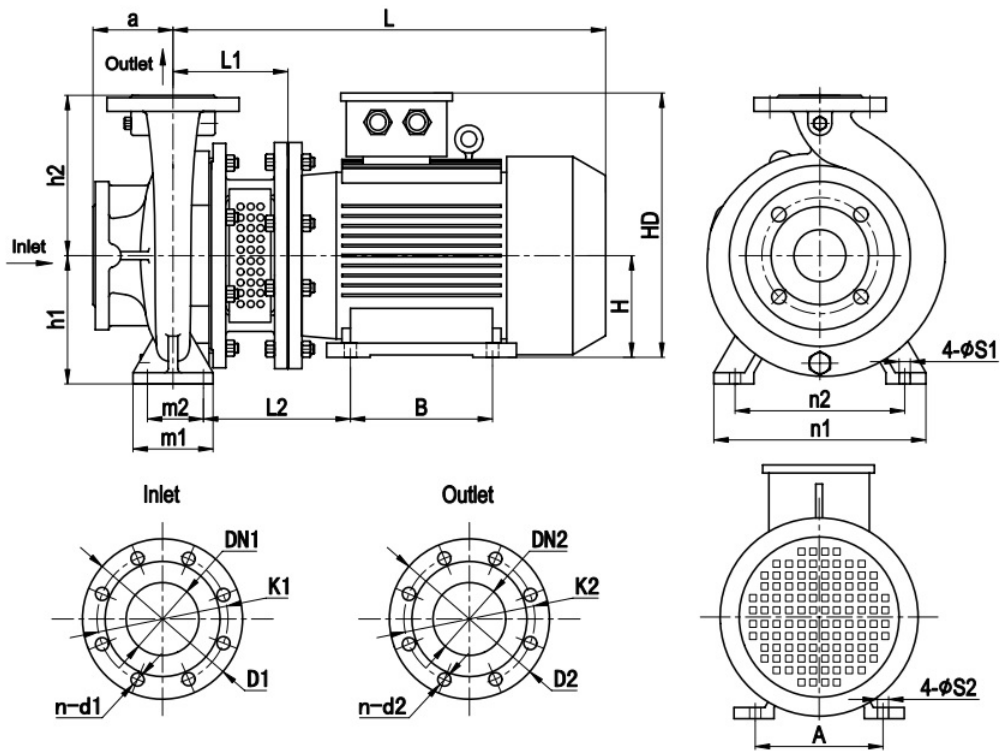


**Brand: Gol Pumps**  
**Model: EAZS32/16-05502**  
**Flange: ANSI Class 125**

| Motor (B35) |     |
|-------------|-----|
| Model       | hp  |
| Y2-132S1-2  | 7.5 |

| Weight (lb) |       |              |
|-------------|-------|--------------|
| Pump        | Motor | Pump & Motor |
| 84          | 144   | 227          |

**Dimensions:**



| Inlet |     |     |        |
|-------|-----|-----|--------|
| DN1   | K1  | D1  | n-d1   |
| 2     | 4.8 | 5.9 | 4-Ø0.8 |

| Outlet |     |     |        |
|--------|-----|-----|--------|
| DN2    | K2  | D2  | n-d2   |
| 1 1/4  | 3.5 | 4.5 | 4-Ø0.6 |

| Pump Installation Size (inch) |     |     |     |     |      |     |     |     |      |     |     |     |     |     |     |
|-------------------------------|-----|-----|-----|-----|------|-----|-----|-----|------|-----|-----|-----|-----|-----|-----|
| a                             | h1  | h2  | L1  | L2  | L    | A   | B   | H   | HD   | m1  | m2  | n1  | n2  | S1  | S2  |
| 3.1                           | 5.2 | 6.3 | 7.4 | 9.5 | 22.7 | 8.5 | 5.5 | 5.2 | 13.6 | 3.9 | 2.8 | 9.4 | 7.5 | 0.6 | 0.5 |

|         |            |            |            |             |
|---------|------------|------------|------------|-------------|
| Project | Project ID | Created by | Created on | Last update |
|---------|------------|------------|------------|-------------|



# Performance Curves

## End Suction Pump - EAZS32/16-05502

Revision no.

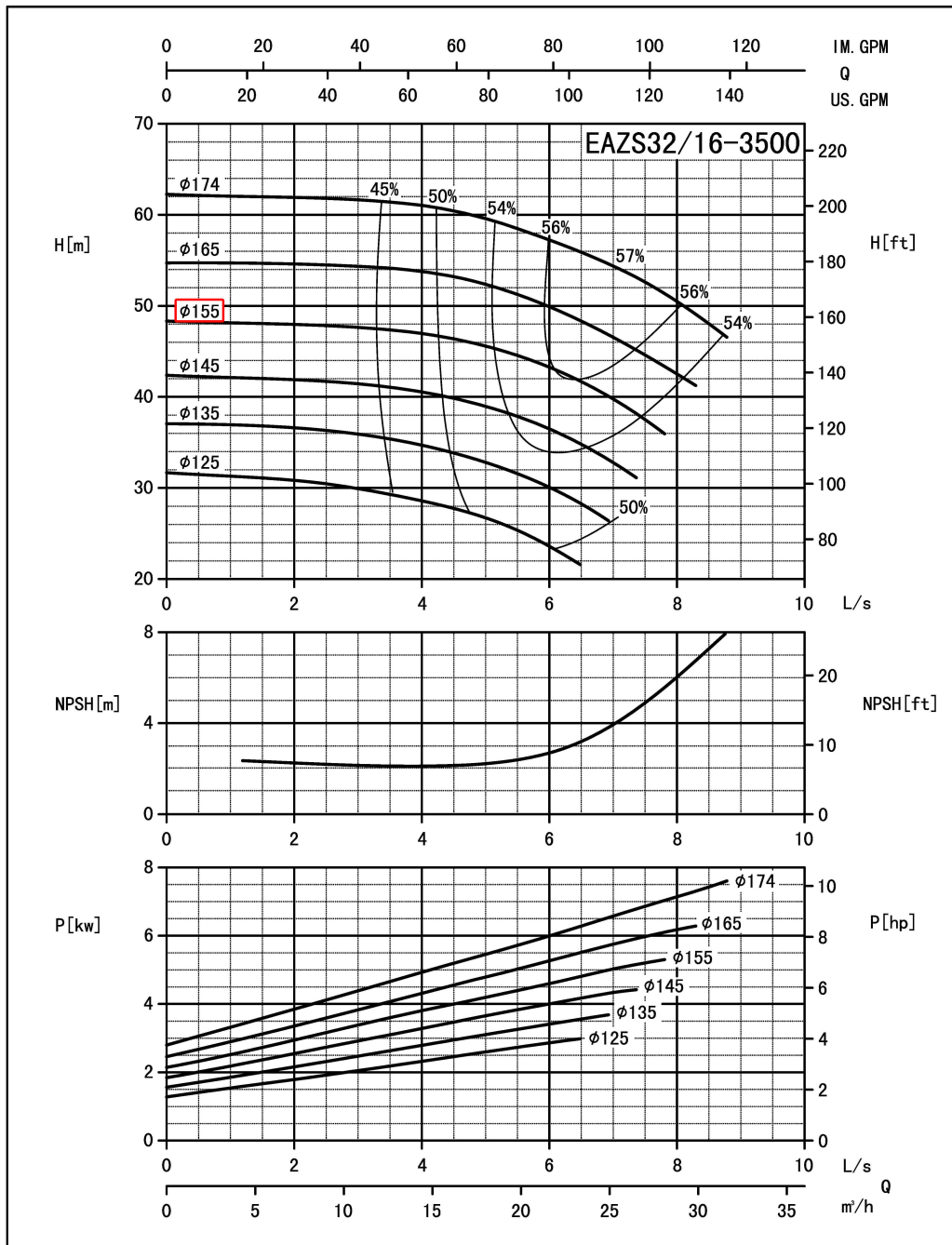
 Page:  
2

Receiver

From

 Company name  
 Respons. Department  
 Person in charge  
 Phone number  
 Fax no  
 E-mail address

| Model           | Capacity          |       | Head<br>ft | Speed<br>r/min | Power (kw) |       | Motor (hp) | Efficiency<br>% | Impeller Diam.<br>inch | (NPSH) r<br>ft |
|-----------------|-------------------|-------|------------|----------------|------------|-------|------------|-----------------|------------------------|----------------|
|                 | m <sup>3</sup> /h | gpm   |            |                | Shaft      | Motor |            |                 |                        |                |
| EAZS32/16-05502 | 11.6              | 51.1  | 154.4      | 3500           | 3.4        | 5.5   | 7.5        | 44              | 6.1                    | 6.2            |
|                 | 19.4              | 85.2  | 145.8      |                | 4.3        | 5.5   | 7.5        | 54.5            |                        | 7.2            |
|                 | 23.2              | 102.2 | 137.2      |                | 4.7        | 5.5   | 7.5        | 56              |                        | 12.1           |



Performance to ISO9906 Grade 2 for clean cold water only

EF•A01/1406

Project

Project ID

Created by

Created on

Last update