



# Technical Data

## End Suction Pump - EAZS40/20-11002 (SS316)

Revision no.

Page:

1

Receiver

From

 Company name  
 Respons. Department  
 Person in charge  
 Phone number  
 Fax no  
 E-mail address

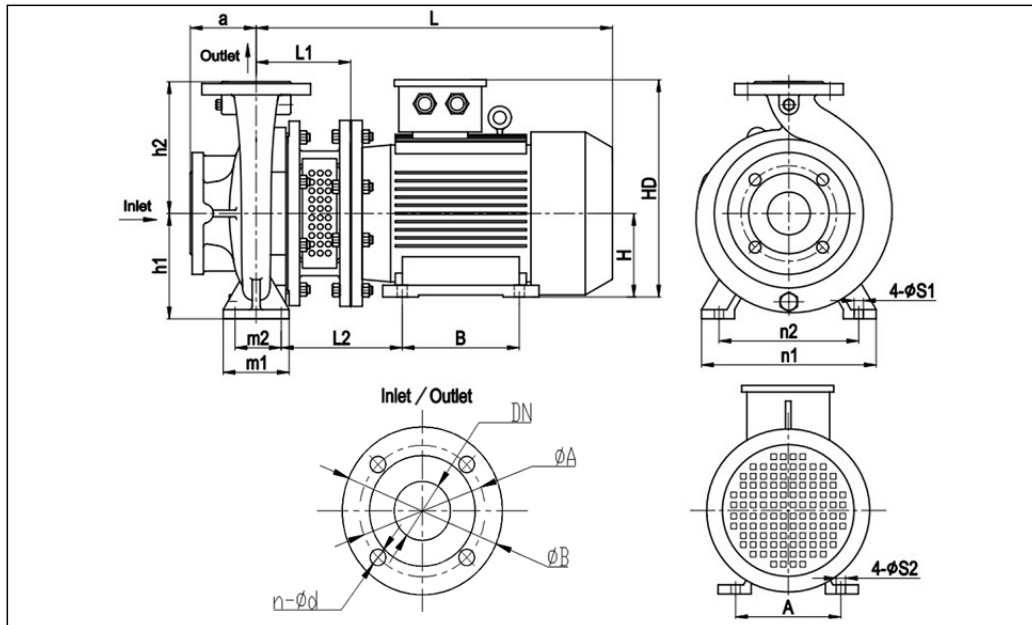

**Brand: Gol Pumps**  
**Model: EAZS40/20-11002 (SS316)**  
**Flange: ANSI Class 125**

Motor (B35)	
Model	hp
Y2-160M1-2	15

Weight (lb)		
Pump	Motor	Pump & Motor
106	238	344

<b>Pump Material</b>	Stainless Steel 316/AISI 316
<b>Casing</b>	Stainless Steel 316/AISI 316
<b>Impeller</b>	Stainless Steel 316/AISI 316
<b>Shaft</b>	Stainless Steel 316/AISI 316
<b>Mechanical Seal</b>	Silicon Carbide

### Dimensions:



Inlet			
DN	ØA	ØB	n-Ød
2.5	5.5	7.1	4-0.8

Outlet			
DN	ØA	ØB	n-Ød
1.5	3.9	5	4-0.6

#### Pump Installation Size (inch)

a	h1	h2	L1	L2	L	A	B	H	HD	m1	m2	n1	n2	S1	S2
3.9	6.3	7.1	8.6	11.5	28.5	10	8.3	6.3	16.5	3.9	2.8	10.4	8.3	0.6	0.6

Project

Project ID

Created by

Created on

Last update



# Performance Curves

## End Suction Pump - EAZS40/20-11002 (SS316)

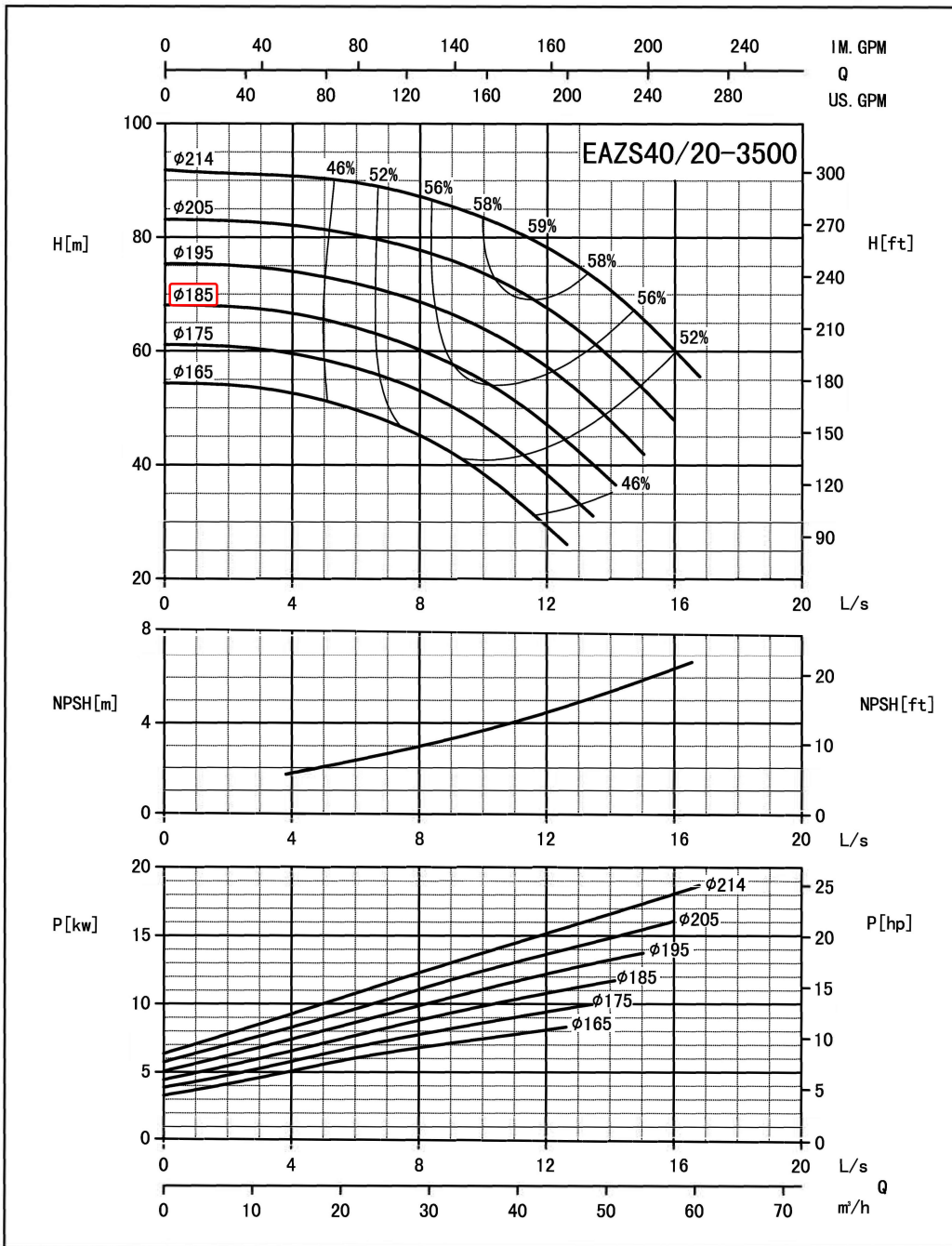
Revision no. \_\_\_\_\_

Page: 2

Receiver	From

Company name  
 Respons. Department  
 Person in charge  
 Phone number  
 Fax no  
 E-mail address

Model	Capacity		Head	Speed	Power (kw)		Motor (hp)	Efficiency	Impeller Diam.	(NPSH) r
	m <sup>3</sup> /h	gpm	ft	r/min	Shaft	Motor		%	inch	ft
EAZS40/20-11002	18.8	82.7	212.9	3500	7.2	11	15	46	7.3	5.9
	31.3	137.8	193.5		9.1	11	15	55.5		6.6
	37.5	165.3	174.4		9.9	11	15	55		8.9



Performance to ISO9906 Grade 2 for clean cold water only

EF-A01/1406

Project	Project ID	Created by	Created on	Last update
---------	------------	------------	------------	-------------