



# Technical Data

## End Suction Pump - EAZS40/26-37002 (SS316)

Revision no.

 Page:  
1

Receiver

From

 Company name  
 Respons. Department  
 Person in charge  
 Phone number  
 Fax no  
 E-mail address

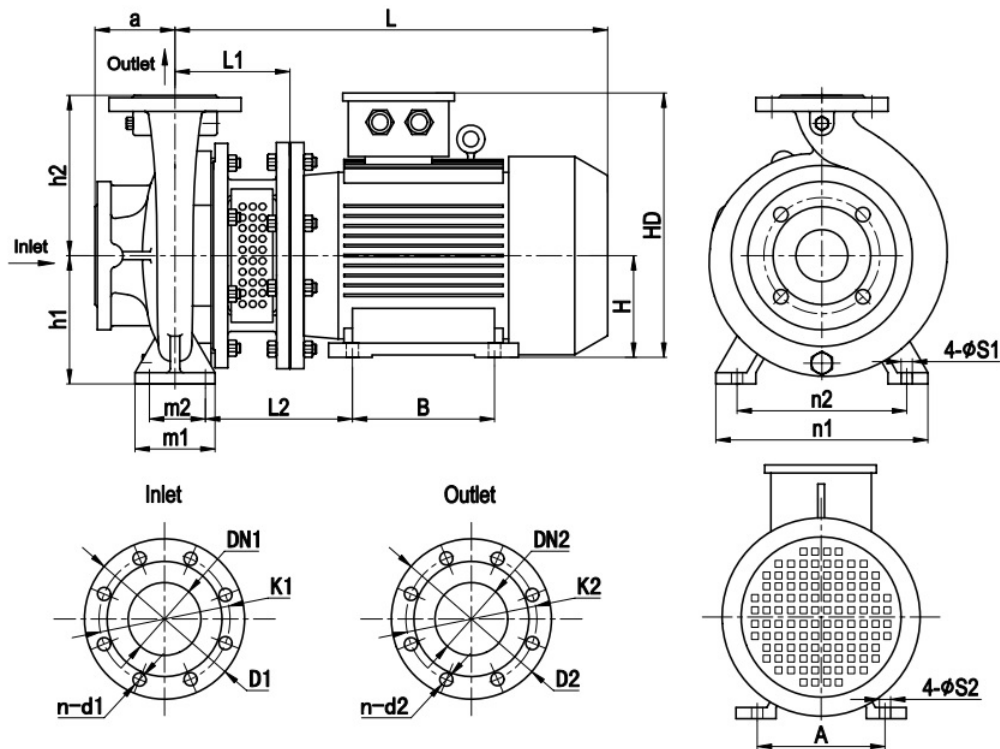

**Brand: Gol Pumps**  
**Model: EAZS40/26-37002 (SS316)**

Motor (B35)	
Model	hp
Y2-200L2-2	50

Weight (lb)		
Pump	Motor	Pump & motor
154	518	670

<b>Pump Material</b>	Stainless Steel 316/AISI 316
<b>Casing</b>	Stainless Steel 316/AISI 316
<b>Impeller</b>	Stainless Steel 316/AISI 316
<b>Shaft</b>	Stainless Steel 316/AISI 316
<b>Mechanical Seal</b>	Silicon Carbide

Dimensions:



ISO7005.2 DIN2501 PN16 GB/T17241.6 PN1.6									
DN1 / DN2	1.25	1.5	2	2.5	3	4	5	6	8
D1 / D2	5.51	5.91	6.50	7.28	7.87	8.66	9.84	11.22	13.39
K1 / K2	3.94	4.33	4.92	5.71	6.30	7.09	8.27	9.45	11.61
n-d1 / n-d2	4-Ø18	4-Ø18	4-Ø18	4-Ø18	8-Ø18	8-Ø18	8-Ø18	8-Ø22	12-Ø22

Inlet and outlet flange	
DN1	DN2
2.5	1.5

Pump installation size (inch)															
a	h1	h2	L1	L2	L	A	B	H	HD	m1	m2	n1	n2	S1	S2
3.9	7.1	8.9	9.1	12.4	35.1	12.5	12	7.9	19.9	4.9	3.7	12.6	9.8	0.6	0.7

Project

Project ID

Created by

Created on

Last update



# Performance Curves

## End Suction Pump - EAZS40/26-37002 (SS316)

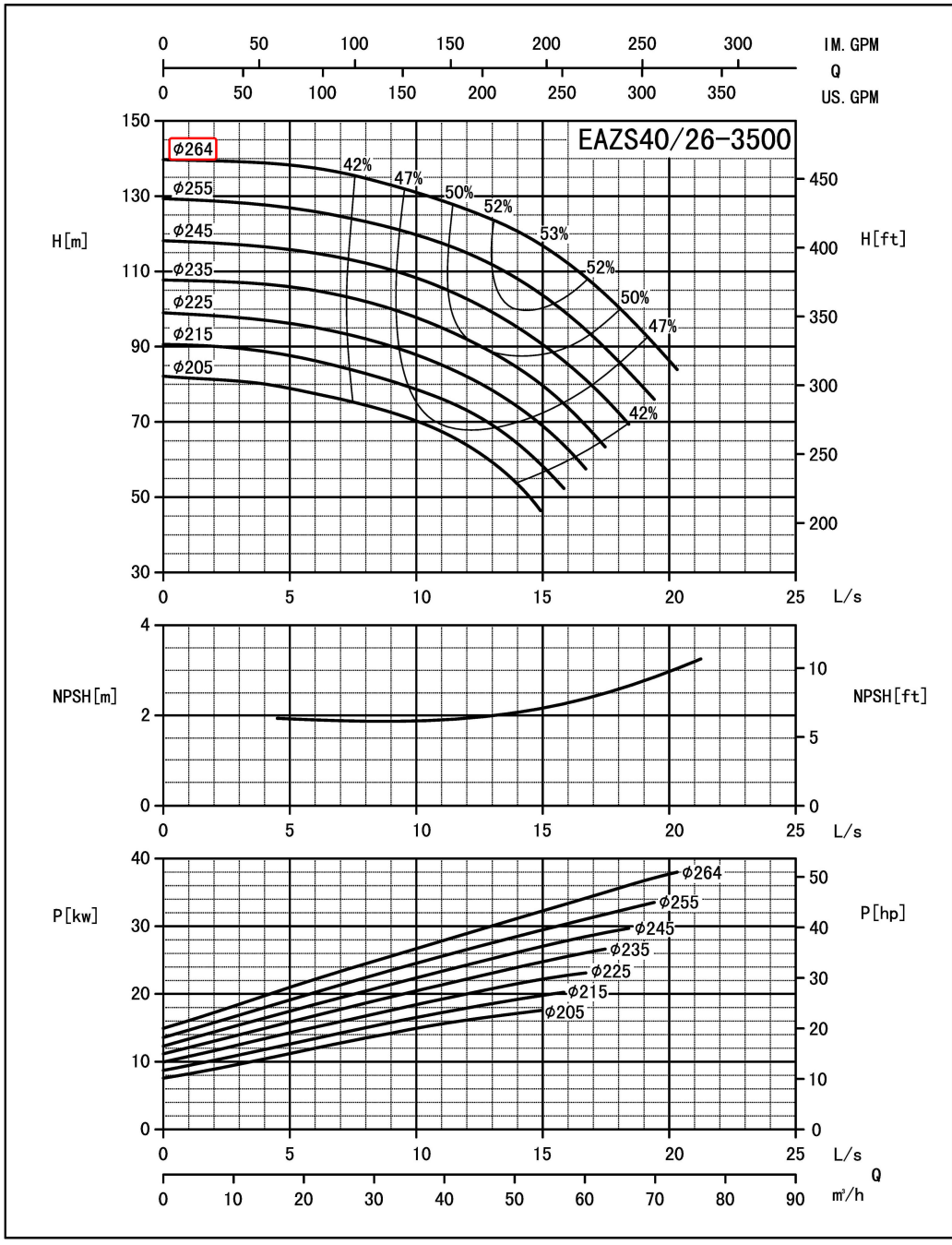
Revision no. \_\_\_\_\_  
 \_\_\_\_\_

Page: 2

Receiver	From

Company name  
 Respons. Department  
 Person in charge  
 Phone number  
 Fax no  
 E-mail address

Model	Capacity		Head	Speed	Power (kw)		Motor (hp)	Efficiency	Impeller Diam.	(NPSH) r
	m <sup>3</sup> /h	gpm	ft	r/min	Shaft	Motor		%	inch	ft
EAZS40/26-37002	26.1	114.8	444.4	3500	24	30	40	40	10.4	5.9
	43.4	191.3	413.4		29.2	37	50	51		6.6
	52.1	229.6	389.5		31.8	37	50	53		8.2



Performance to ISO9906 Grade 2 for clean cold water only

EF•A01/1406

Project	Project ID	Created by	Created on	Last update
---------	------------	------------	------------	-------------