



# Technical Data

## End Suction Pump - EAZS50/20-18502 (SS316)

Revision no.

Page:

1

Receiver

From

 Company name  
 Respons. Department  
 Person in charge  
 Phone number  
 Fax no  
 E-mail address

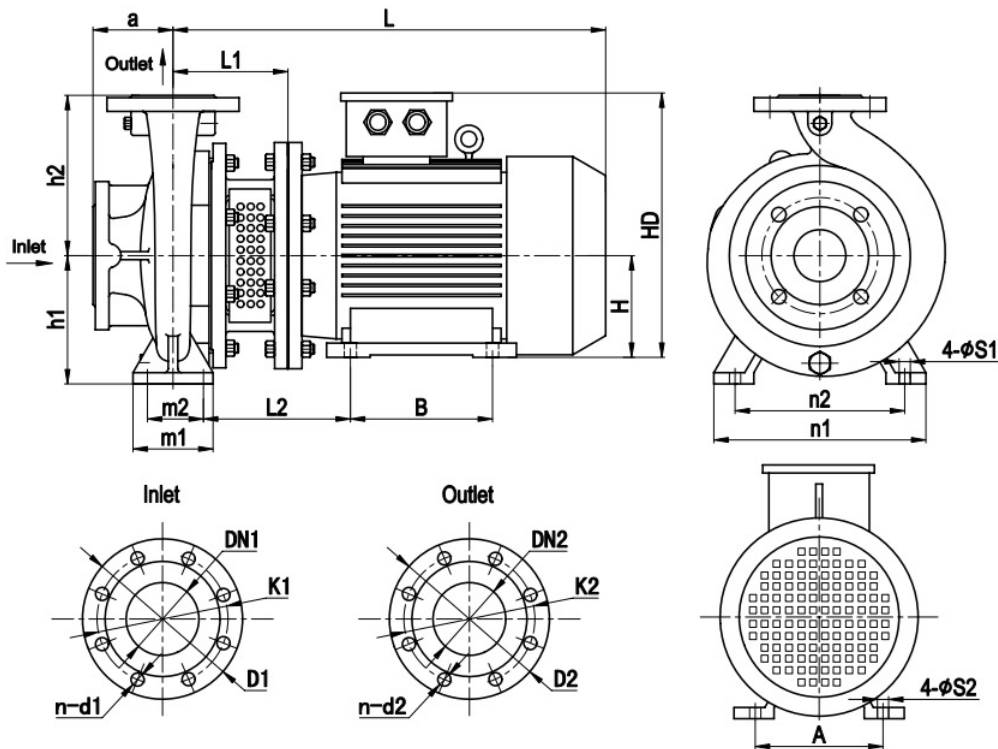

**Brand: Gol Pumps**  
**Model: EAZS50/20-18502 (SS316)**

| Motor (B35) |    |
|-------------|----|
| Model       | hp |
| Y2-160L-2   | 25 |

| Weight (lb) |       |              |
|-------------|-------|--------------|
| Pump        | Motor | Pump & motor |
| 117         | 293   | 408          |

|                        |                              |
|------------------------|------------------------------|
| <b>Pump Material</b>   | Stainless Steel 316/AISI 316 |
| <b>Casing</b>          | Stainless Steel 316/AISI 316 |
| <b>Impeller</b>        | Stainless Steel 316/AISI 316 |
| <b>Shaft</b>           | Stainless Steel 316/AISI 316 |
| <b>Mechanical Seal</b> | Silicon Carbide              |

Dimensions:



| ISO7005.2 DIN2501 PN16 GB/T17241.6 PN1.6 |       |       |       |       |       |       |       |       |        |
|--|-------|-------|-------|-------|-------|-------|-------|-------|--------|
| DN1 / DN2                                | 1.25  | 1.5   | 2     | 2.5   | 3     | 4     | 5     | 6     | 8      |
| D1 / D2                                  | 5.51  | 5.91  | 6.50  | 7.28  | 7.87  | 8.66  | 9.84  | 11.22 | 13.39  |
| K1 / K2                                  | 3.94  | 4.33  | 4.92  | 5.71  | 6.30  | 7.09  | 8.27  | 9.45  | 11.61  |
| n-d1 / n-d2                              | 4-Ø18 | 4-Ø18 | 4-Ø18 | 4-Ø18 | 8-Ø18 | 8-Ø18 | 8-Ø18 | 8-Ø22 | 12-Ø22 |

| Inlet and outlet flange |     |
|-------------------------|-----|
| DN1                     | DN2 |
| 2.5                     | 2   |

| Pump installation size (inch) |     |     |     |      |      |    |    |     |      |     |     |      |     |     |     |
|-------------------------------|-----|-----|-----|------|------|----|----|-----|------|-----|-----|------|-----|-----|-----|
| a                             | h1  | h2  | L1  | L2   | L    | A  | B  | H   | HD   | m1  | m2  | n1   | n2  | S1  | S2  |
| 3.9                           | 6.3 | 7.9 | 8.7 | 11.5 | 30.8 | 10 | 10 | 6.3 | 16.5 | 3.9 | 2.8 | 10.4 | 8.3 | 0.6 | 0.6 |

Project

Project ID

Created by

Created on

Last update



# Performance Curves

## End Suction Pump - EAZS50/20-18502 (SS316)

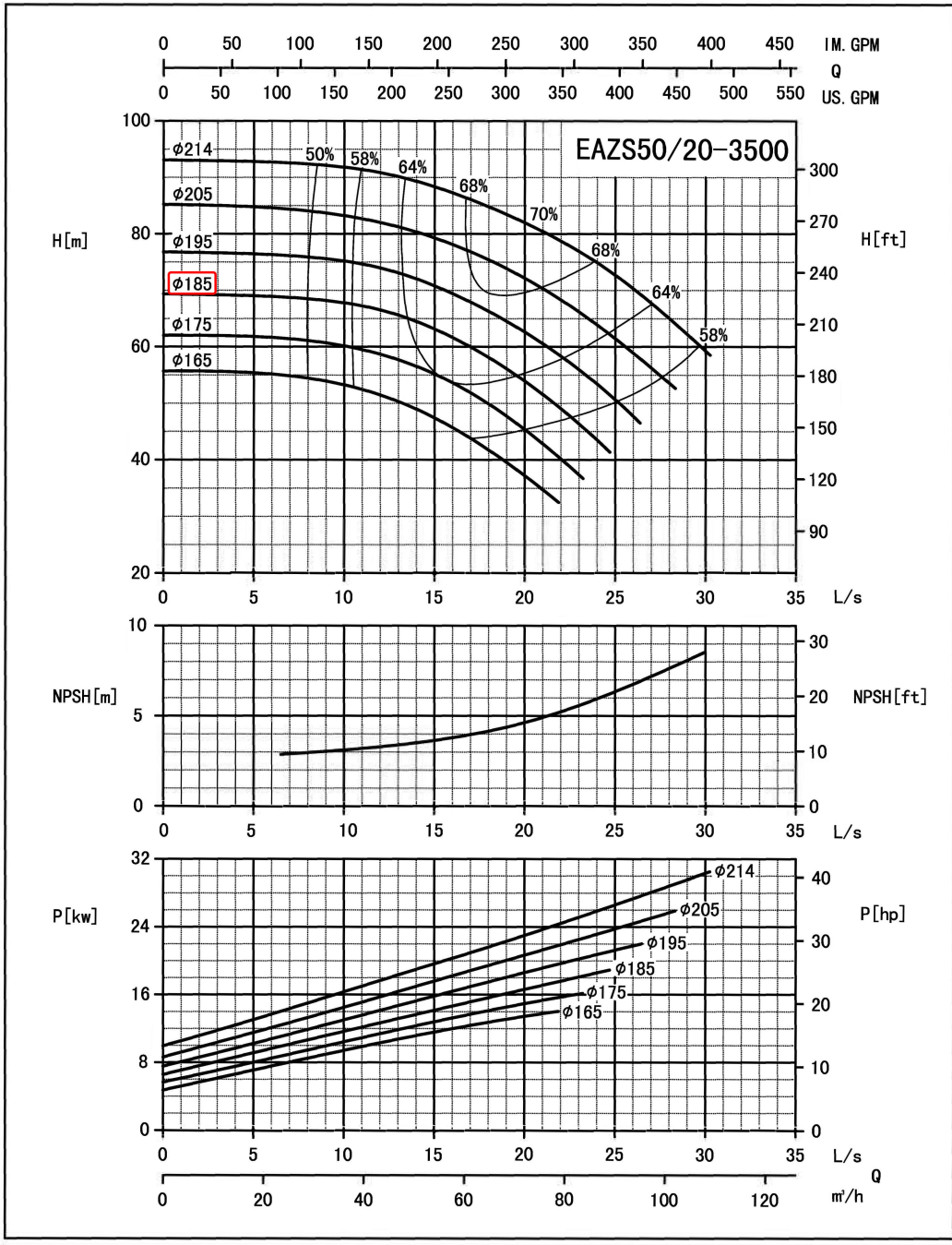
Revision no. \_\_\_\_\_  
 \_\_\_\_\_

Page: 2

| Receiver | From |
|----------|------|
|          |      |
|          |      |
|          |      |
|          |      |
|          |      |
|          |      |

Company name  
 Respons. Department  
 Person in charge  
 Phone number  
 Fax no  
 E-mail address

| Model           | Capacity          |       | Head  | Speed | Power (kw) |       | Motor (hp) | Efficiency | Impeller Diam. | (NPSH) r |
|-----------------|-------------------|-------|-------|-------|------------|-------|------------|------------|----------------|----------|
|                 | m <sup>3</sup> /h | gpm   | ft    | r/min | Shaft      | Motor |            | %          | inch           | ft       |
| EAZS50/20-18502 | 37.6              | 165.4 | 220.7 | 3500  | 11.9       | 15    | 20         | 58         | 7.3            | 7.2      |
|                 | 62.6              | 275.7 | 192.3 |       | 15.3       | 18.5  | 25         | 65.5       |                | 10.5     |
|                 | 75.1              | 330.8 | 169.2 |       | 17         | 18.5  | 25         | 62         |                | 13.1     |



Performance to ISO9906 Grade 2 for clean cold water only

EF-A01/1406

|         |            |            |            |             |
|---------|------------|------------|------------|-------------|
| Project | Project ID | Created by | Created on | Last update |
|---------|------------|------------|------------|-------------|