



Technical Data

End Suction Pump - EAZS65/16-15002 (SS316)

Revision no.

Page:

1

Receiver

From

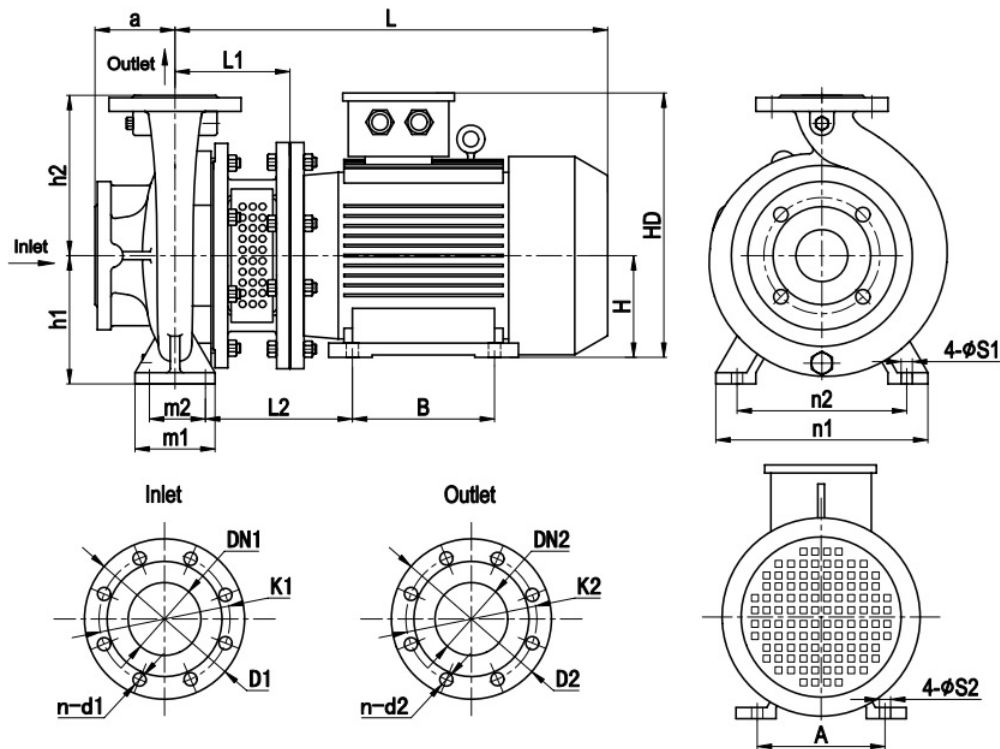
 Company name
 Respons. Department
 Person in charge
 Phone number
 Fax no
 E-mail address


Brand: Gol Pumps
Model: EAZS65/16-15002 (SS316)

Motor (B35)	
Model	hp
Y2-160M2-2	20

Weight (lb)		
Pump	Motor	Pump & motor
108	240	348

Pump Material	Stainless Steel 316/AISI 316
Casing	Stainless Steel 316/AISI 316
Impeller	Stainless Steel 316/AISI 316
Shaft	Stainless Steel 316/AISI 316
Mechanical Seal	Silicon Carbide

Dimensions:


ISO7005.2 DIN2501 PN16 GB/T17241.6 PN1.6									
DN1 / DN2	1.25	1.5	2	2.5	3	4	5	6	8
D1 / D2	5.51	5.91	6.50	7.28	7.87	8.66	9.84	11.22	13.39
K1 / K2	3.94	4.33	4.92	5.71	6.30	7.09	8.27	9.45	11.61
n-d1 / n-d2	4-Ø18	4-Ø18	4-Ø18	4-Ø18	8-Ø18	8-Ø18	8-Ø18	8-Ø22	12-Ø22

Inlet and outlet flange	
DN1	DN2
3	2.5

Pump installation size (inch)															
a	h1	h2	L1	L2	L	A	B	H	HD	m1	m2	n1	n2	S1	S2
3.9	6.3	7.9	8.6	11	28.5	10	8.3	6.3	16.5	4.9	3.7	11	8.3	0.6	0.6

Project

Project ID

Created by

Created on

Last update



Performance Curves

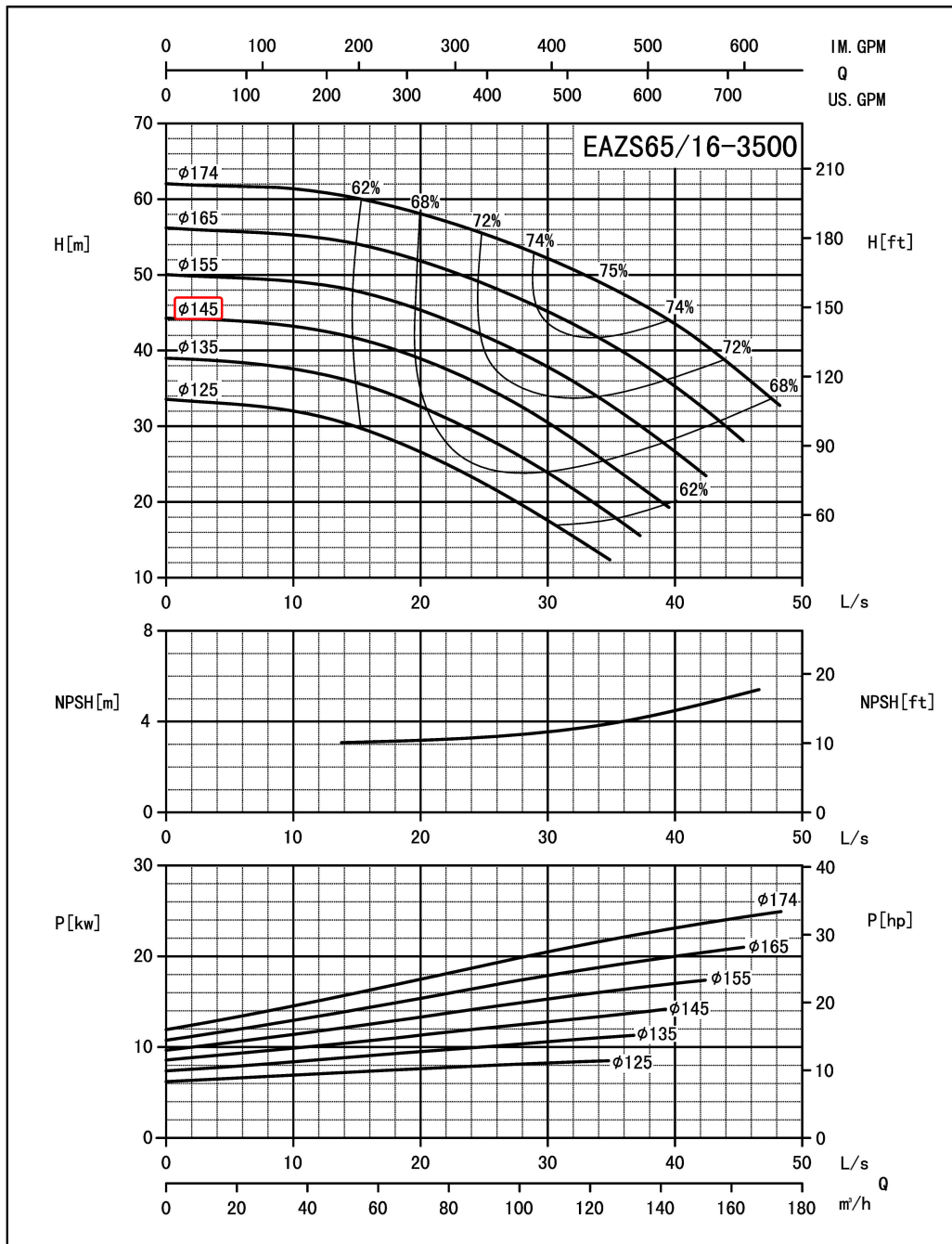
End Suction Pump - EAZS65/16-15002 (SS316)

Revision no. _____

Page:
 2

	Receiver	From
Company name		
Respons. Department		
Person in charge		
Phone number		
Fax no		
E-mail address		

Model	Capacity		Head ft	Speed r/min	Power (kw)		Motor (hp)	Efficiency %	Impeller Diam. inch	(NPSH) r ft
	m ³ /h	gpm			Shaft	Motor				
EAZS65/16-15002	60.3	265.7	133.8	3500	10.6	15	20	63	5.7	8.9
	100.6	442.9	106.1		12.5	15	20	71		11.5
	120.7	531.4	87		12.7	15	20	68.5		13.5



Performance to ISO9906 Grade 2 for clean cold water only

EF•A01/1406

Project	Project ID	Created by	Created on	Last update
---------	------------	------------	------------	-------------