



Technical Data

End Suction Pump - EAZS65/16-15002

Revision no.

 Page:
1

Receiver

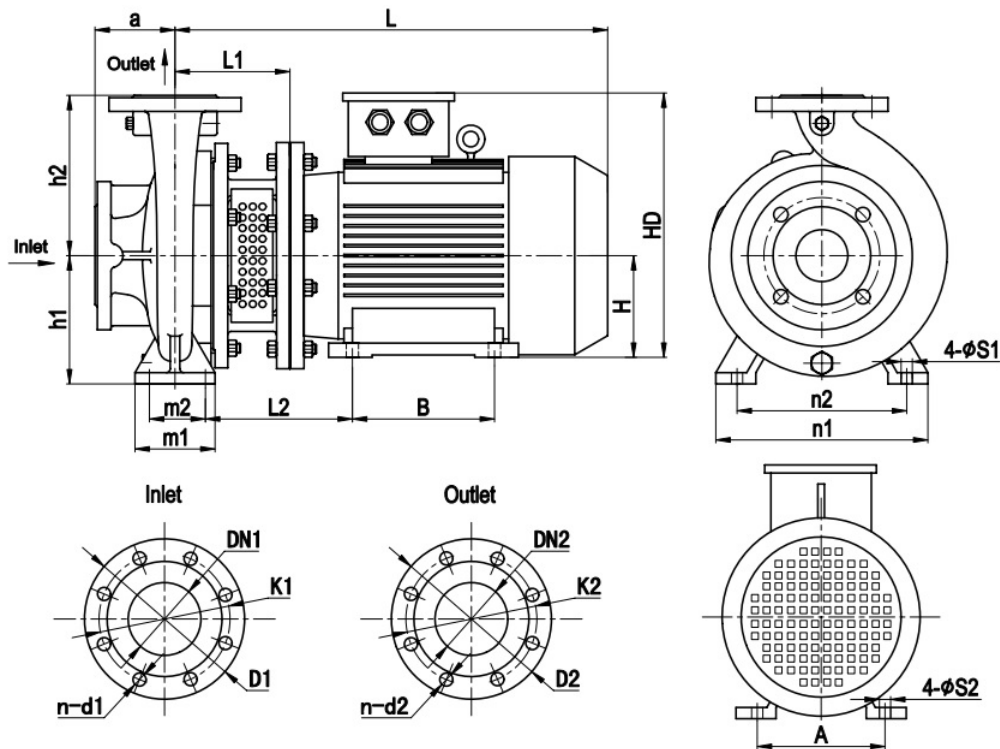
From

 Company name
 Respons. Department
 Person in charge
 Phone number
 Fax no
 E-mail address

Brand: Gol Pumps
Model: EAZS65/16-15002

Motor (B35)	
Model	hp
Y2-160M2-2	20

Weight (lb)		
Pump	Motor	Pump & motor
108	240	348

Dimensions:


ISO7005.2 DIN2501 PN16 GB/T17241.6 PN1.6									
DN1 / DN2	1.25	1.5	2	2.5	3	4	5	6	8
D1 / D2	5.51	5.91	6.50	7.28	7.87	8.66	9.84	11.22	13.39
K1 / K2	3.94	4.33	4.92	5.71	6.30	7.09	8.27	9.45	11.61
n-d1 / n-d2	4-Ø18	4-Ø18	4-Ø18	4-Ø18	8-Ø18	8-Ø18	8-Ø18	8-Ø22	12-Ø22

Inlet and outlet flange	
DN1	DN2
3	2.5

Pump installation size (inch)															
a	h1	h2	L1	L2	L	A	B	H	HD	m1	m2	n1	n2	S1	S2
3.9	6.3	7.9	8.6	11	28.5	10	8.3	6.3	16.5	4.9	3.7	11	8.3	0.6	0.6

Project

Project ID

Created by

Created on

Last update



Performance Curves

End Suction Pump - EAZS65/16-15002

Revision no.

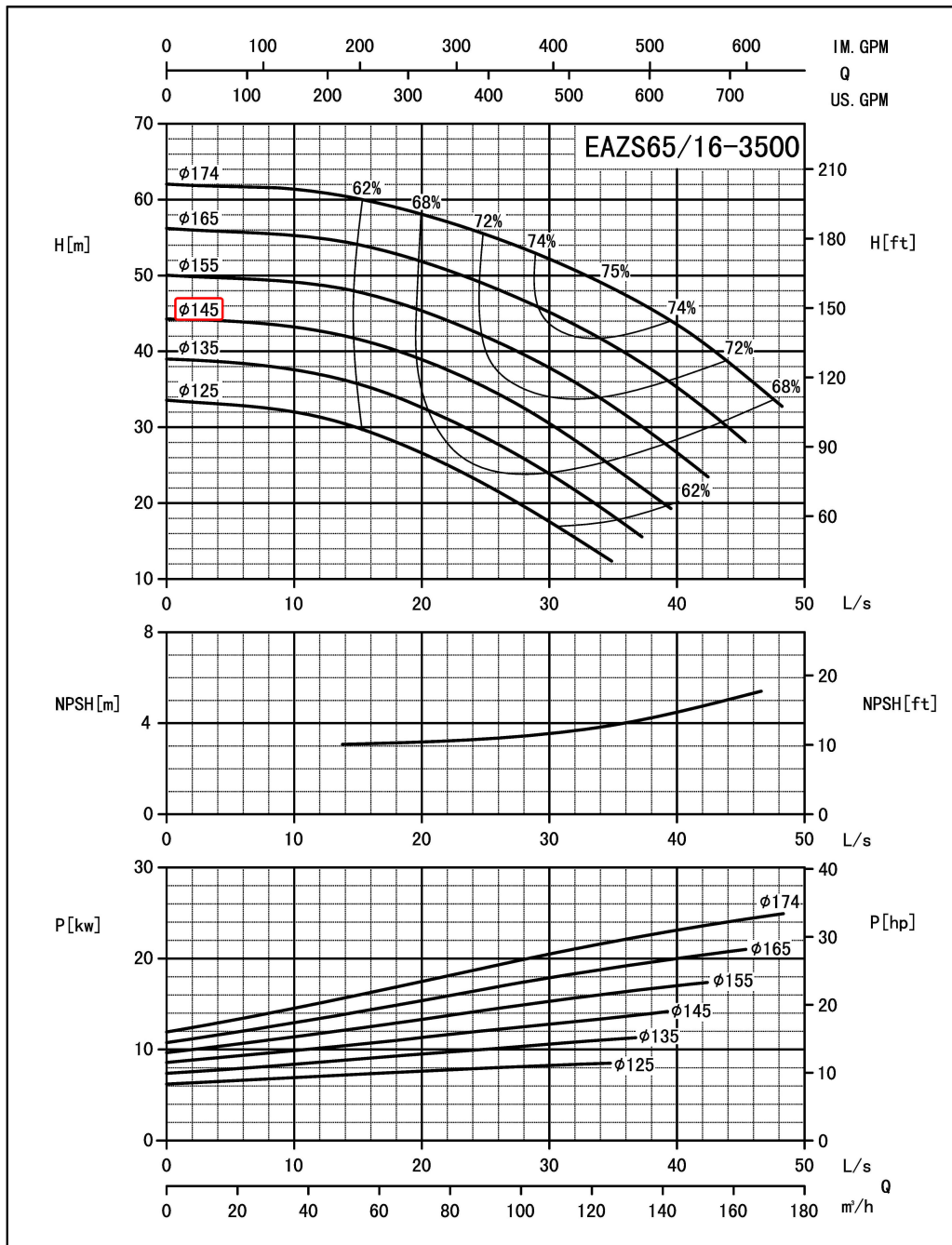
 Page:
2

Receiver

From

 Company name
 Respons. Department
 Person in charge
 Phone number
 Fax no
 E-mail address

Model	Capacity		Head ft	Speed r/min	Power (kw)		Motor (hp)	Efficiency %	Impeller Diam. inch	(NPSH) r ft
	m ³ /h	gpm			Shaft	Motor				
EAZS65/16-15002	60.3	265.7	133.8	3500	10.6	15	20	63	5.7	8.9
	100.6	442.9	106.1		12.5	15	20	71		11.5
	120.7	531.4	87		12.7	15	20	68.5		13.5



Performance to ISO9906 Grade 2 for clean cold water only

EF•A01/1406

Project

Project ID

Created by

Created on

Last update