



Technical Data

End Suction Pump - EAZS65/16-30002

Revision no. _____

Page: 1

	Receiver	From
Company name		
Respons. Department		
Person in charge		
Phone number		
Fax no		
E-mail address		



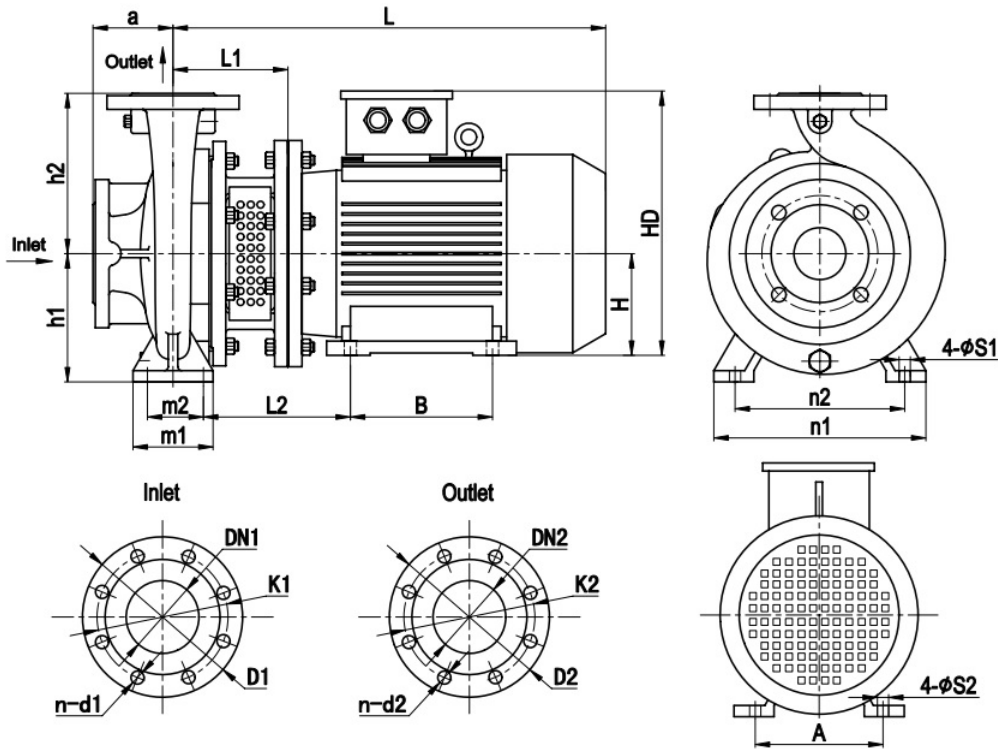
Brand: Gol Pumps
Model: EAZS65/16-30002 (SS316)

Motor (B35)	
Model	hp
Y2-200L1-2	40

Weight (lb)		
Pump	Motor	Pump & motor
126	494	619

Pump Material	Stainless Steel 316/AISI 316
Casing	Stainless Steel 316/AISI 316
Impeller	Stainless Steel 316/AISI 316
Shaft	Stainless Steel 316/AISI 316
Mechanical Seal	Silicon Carbide

Dimensions:



ISO7005.2 DIN2501 PN16 GB/T17241.6 PN1.6									
DN1 / DN2	1.25	1.5	2	2.5	3	4	5	6	8
D1 / D2	5.51	5.91	6.50	7.28	7.87	8.66	9.84	11.22	13.39
K1 / K2	3.94	4.33	4.92	5.71	6.30	7.09	8.27	9.45	11.61
n-d1 / n-d2	4-Ø18	4-Ø18	4-Ø18	4-Ø18	8-Ø18	8-Ø18	8-Ø18	8-Ø22	12-Ø22

Inlet and outlet flange	
DN1	DN2
3	2.5

Pump installation size (inch)															
a	h1	h2	L1	L2	L	A	B	H	HD	m1	m2	n1	n2	S1	S2
3.9	6.3	7.9	8.7	12.1	34.7	12.5	12	7.9	19.9	4.9	3.7	11	8.3	0.6	0.7

Project	Project ID	Created by	Created on	Last update
---------	------------	------------	------------	-------------



Performance Curves

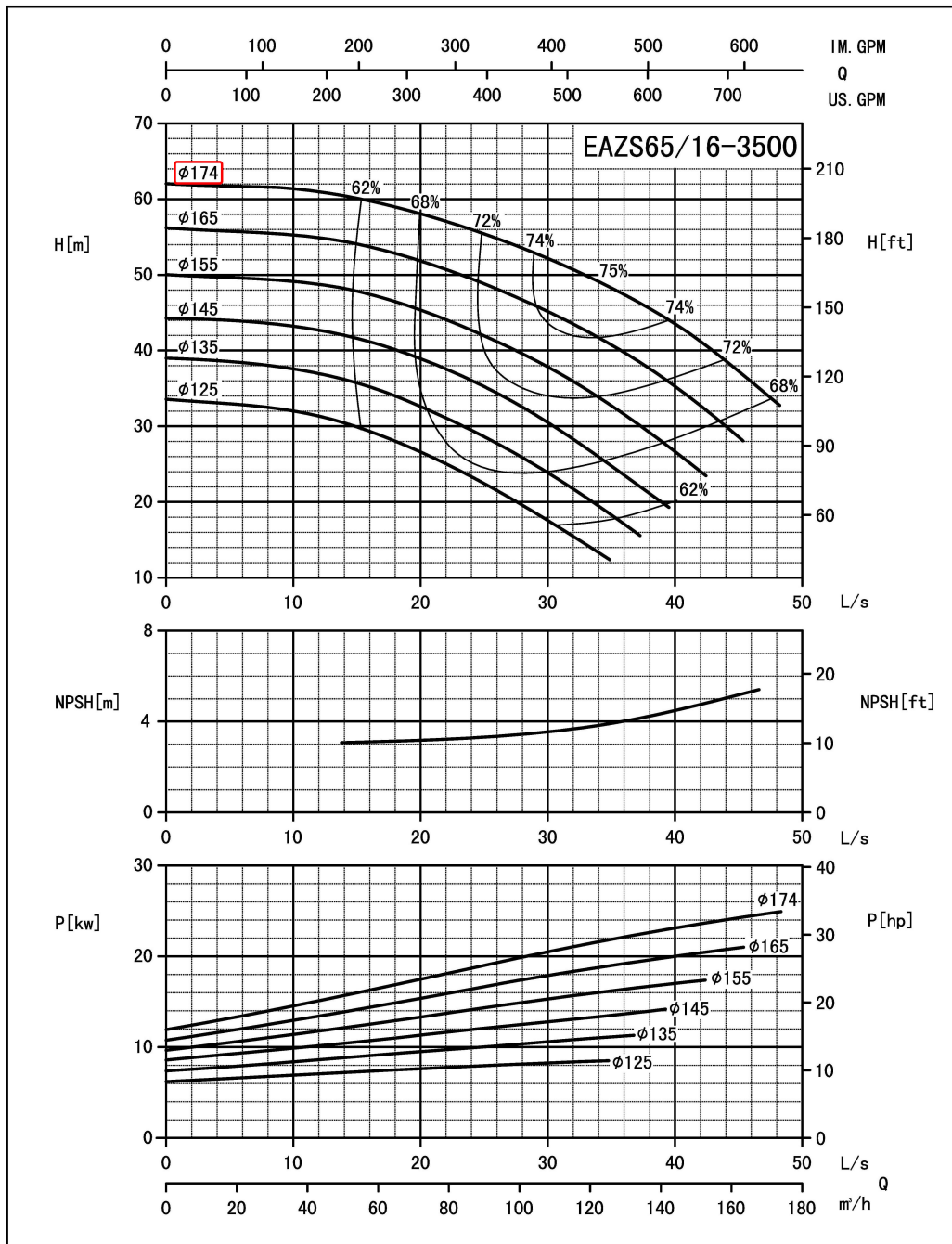
End Suction Pump - EAZS65/16-30002 (SS316)

Revision no. _____

Page: 2

Receiver	From
Company name Respons. Department Person in charge Phone number Fax no E-mail address	_____ _____ _____ _____ _____ _____

Model	Capacity		Head ft	Speed r/min	Power (kw)		Motor (hp)	Efficiency %	Impeller Diam. inch	(NPSH) r ft
	m ³ /h	gpm			Shaft	Motor				
EAZS65/16-30002	72.4	318.9	189.7	3500	17.3	22	30	66	6.9	8.9
	120.7	531.4	162.5		21.7	30	40	75		11.5
	144.8	637.7	141.5		23.1	30	40	73.5		13.5



Performance to ISO9906 Grade 2 for clean cold water only

EF•A01/1406

Project	Project ID	Created by	Created on	Last update
---------	------------	------------	------------	-------------