



Technical Data

End Suction Pump - EAZS80/20-55002 (SS316)

Revision no.

 Page:
1

Receiver

From

 Company name
 Respons. Department
 Person in charge
 Phone number
 Fax no
 E-mail address

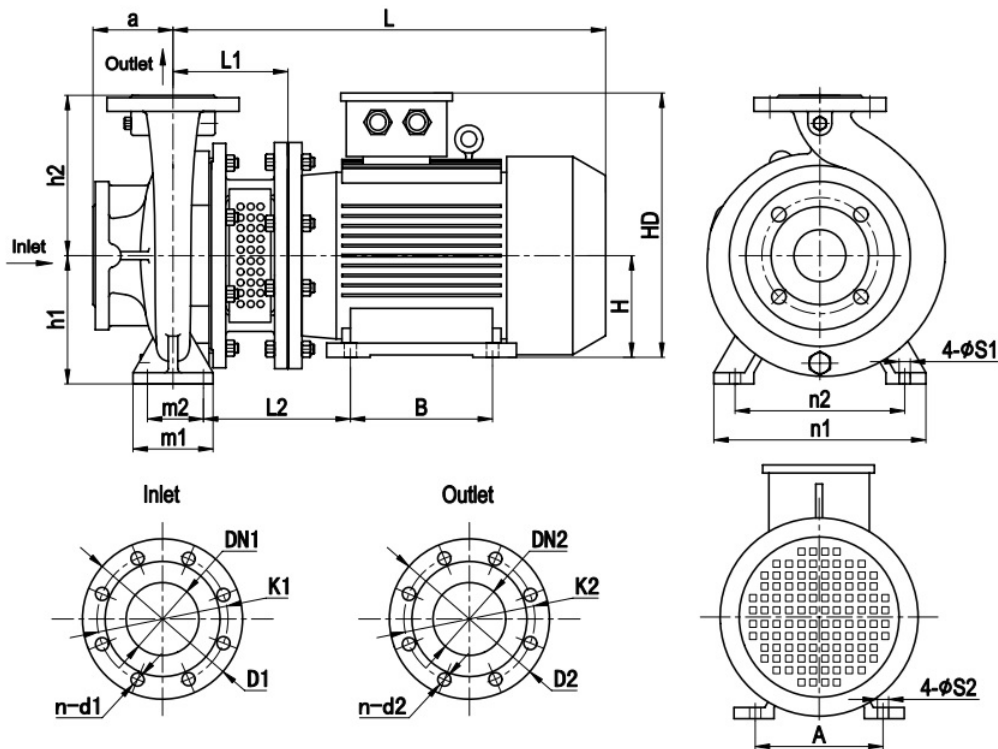

Brand: Gol Pumps
Model: EAZS80/20-55002 (SS316)

| Motor (B35) | |
|-------------|----|
| Model | hp |
| Y2-250M-2 | 75 |

| Weight (lb) | | |
|-------------|-------|--------------|
| Pump | Motor | Pump & motor |
| 192 | 822 | 1014 |

| | |
|------------------------|------------------------------|
| Pump Material | Stainless Steel 316/AISI 316 |
| Casing | Stainless Steel 316/AISI 316 |
| Impeller | Stainless Steel 316/AISI 316 |
| Shaft | Stainless Steel 316/AISI 316 |
| Mechanical Seal | Silicon Carbide |

Dimensions:



| ISO7005.2 DIN2501 PN16 GB/T17241.6 PN1.6 | | | | | | | | | |
|------------------------------------------|-------|-------|-------|-------|-------|-------|-------|-------|--------|
| DN1 / DN2 | 1.25 | 1.5 | 2 | 2.5 | 3 | 4 | 5 | 6 | 8 |
| D1 / D2 | 5.51 | 5.91 | 6.50 | 7.28 | 7.87 | 8.66 | 9.84 | 11.22 | 13.39 |
| K1 / K2 | 3.94 | 4.33 | 4.92 | 5.71 | 6.30 | 7.09 | 8.27 | 9.45 | 11.61 |
| n-d1 / n-d2 | 4-∅18 | 4-∅18 | 4-∅18 | 4-∅18 | 8-∅18 | 8-∅18 | 8-∅18 | 8-∅22 | 12-∅22 |

| Inlet and outlet flange | |
|-------------------------|-----|
| DN1 | DN2 |
| 4 | 3 |

| Pump installation size (inch) | | | | | | | | | | | | | | | |
|-------------------------------|-----|-----|------|------|----|----|------|-----|------|-----|-----|------|----|-----|-----|
| a | h1 | h2 | L1 | L2 | L | A | B | H | HD | m1 | m2 | n1 | n2 | S1 | S2 |
| 4.9 | 7.1 | 9.8 | 10.7 | 15.5 | 41 | 16 | 13.7 | 9.8 | 24.2 | 4.9 | 3.7 | 13.6 | 11 | 0.6 | 0.9 |

Project

Project ID

Created by

Created on

Last update



Performance Curves

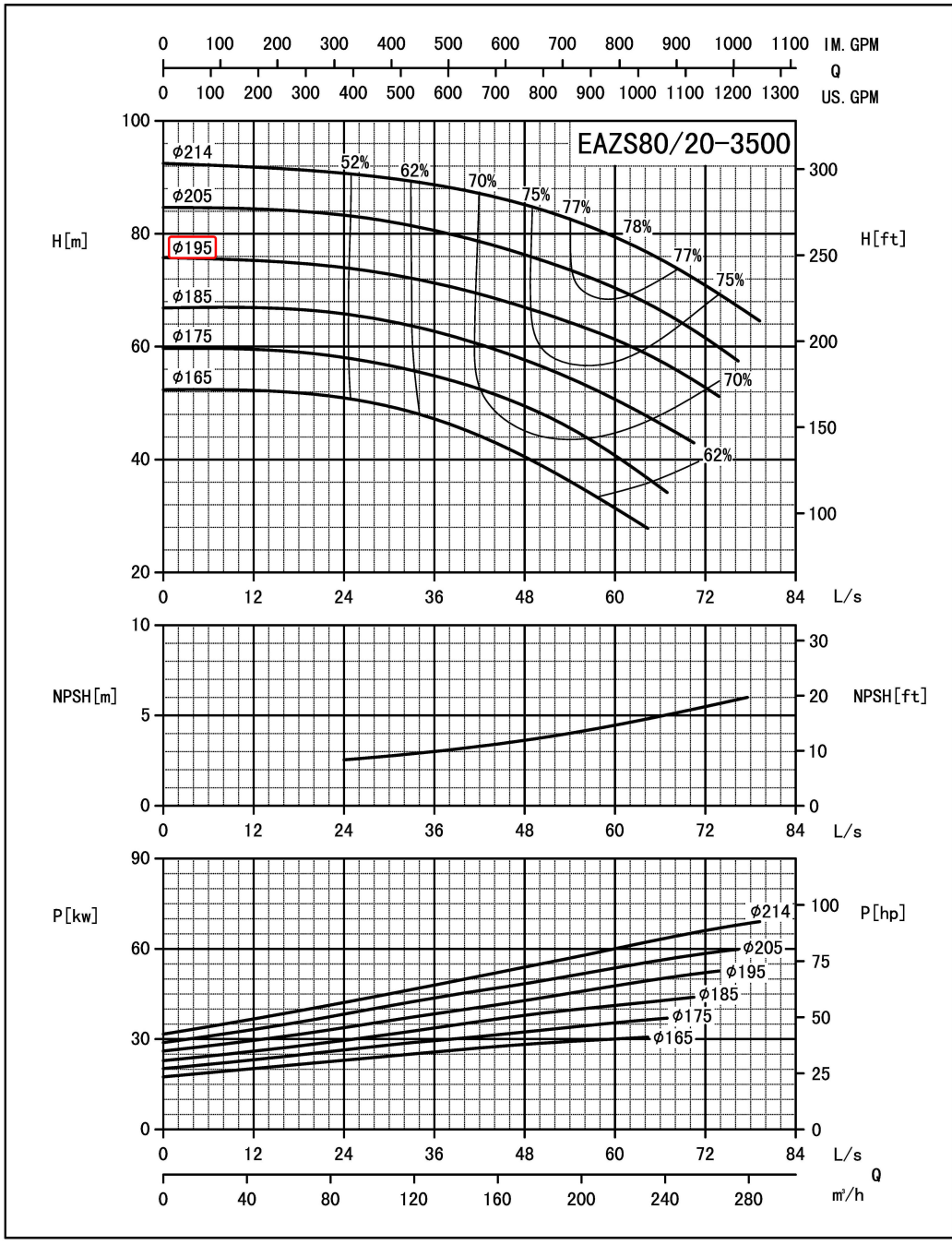
End Suction Pump - EAZS80/20-55002 (SS316)

Revision no. _____

Page: 2

| | Receiver | From |
|---------------------|----------|------|
| Company name | | |
| Respons. Department | | |
| Person in charge | | |
| Phone number | | |
| Fax no | | |
| E-mail address | | |

| Model | Capacity | | Head ft | Speed r/min | Power (kw) | | Motor (hp) | Efficiency % | Impeller Diam. inch | (NPSH) r ft |
|-----------------|-------------------|------|------------|----------------|------------|-------|------------|-----------------|------------------------|----------------|
| | m ³ /h | gpm | | | Shaft | Motor | | | | |
| EAZS80/20-55002 | 125.4 | 552 | 237 | 3500 | 39.8 | 45 | 60 | 62 | 7.7 | 13.1 |
| | 209 | 920 | 208.4 | | 47.5 | 55 | 75 | 76 | | 15.4 |
| | 250.8 | 1104 | 179.7 | | 51.9 | 55 | 75 | 72 | | 18 |



Performance to ISO9906 Grade 2 for clean cold water only

EF•A01/1406

| | | | | |
|---------|------------|------------|------------|-------------|
| Project | Project ID | Created by | Created on | Last update |
|---------|------------|------------|------------|-------------|