



Technical Data

Centrifugal Pump - EH100-80-160

Revision no.

Page:
 1

Receiver

From

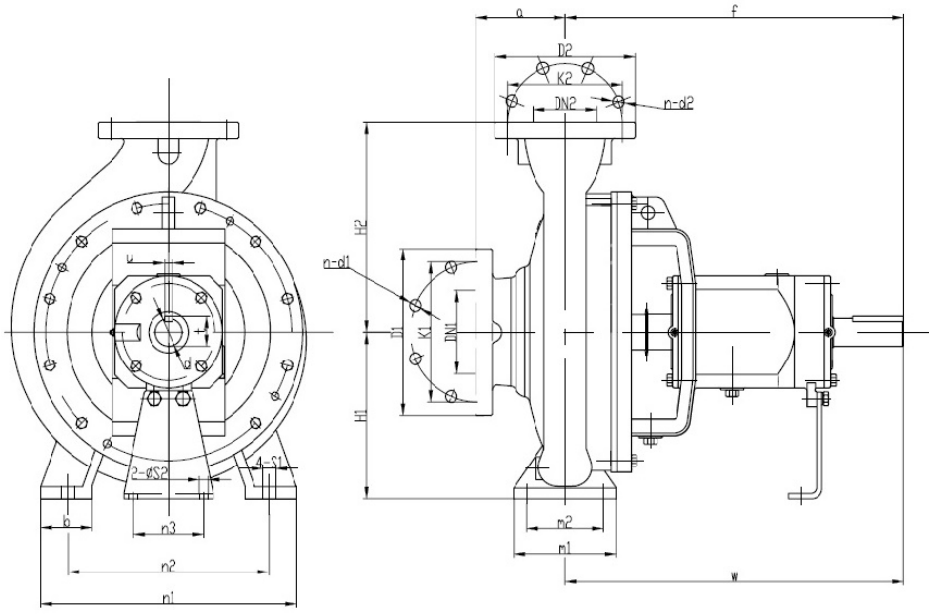
Company name
 Respons. Department
 Person in charge
 Phone number
 Fax no
 E-mail address



Brand: Gol Pumps
Model: EH100-80-160

Weight (lb)	
Pump	150

Dimensions:



Suction flange	Suction		Discharge	Discharge		Imp. Dia		Shaft no.
	mm	in		mm	in	mm	in	
DN100	100	4	DN80	80	3	160	6.4	2

Pump installation size (inch)																		
a	f	h1	h2	b	m1	m2	n1	n2	n3	c1	c2	w	S1	S2	d	t	u	l
4	20	6.4	8	2.6	5	3.8	11.2	8.5	4.4	0.6	0.2	14.8	M12	M12	1.3	1.4	0.4	3.2

Project	Project ID	Created by	Created on	Last update
---------	------------	------------	------------	-------------



Performance Curves

Centrifugal Pump - EH100-80-160

Revision no.

Page:

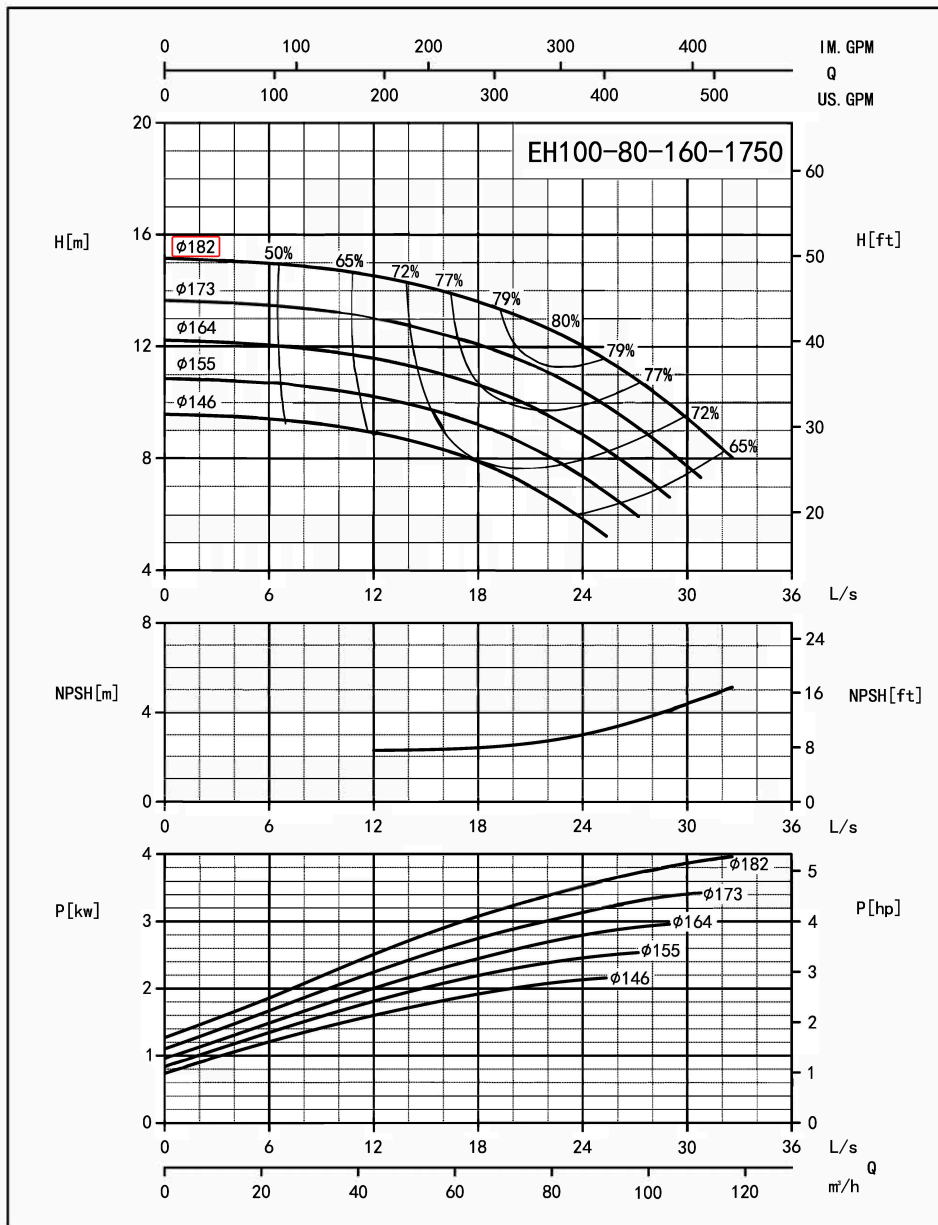
2

Receiver

From

 Company name
 Respons. Department
 Person in charge
 Phone number
 Fax no
 E-mail address

Model	Capacity				Head		Speed r/min	Power			Motor Model	Eff %	Impeller Dia.		NPSHr m	
	m ³ /h	L/s	GPM	GPH	m	Ft		Shaft	Motor							
								kw	kw	HP						
EH100-80-160	49.53	13.76	218.1	13086	14.30	46.9	1750	2.68	4.00	5.50	Y2-132S-4 5.5KW	72	182	7.2	2.2	
	82.55	22.93	363.5	21810	12.38	40.6		3.48	4.00	5.50					80	3
	99.06	27.52	436.1	26166	10.68	35.0		3.75	5.50	7.50					76.9	3.9



Performance to ISO9906 Grade 2 for clean cold water only

EF-A01/1603

Project

Project ID

Created by

Created on

Last update



Performance Curves

Centrifugal Pump - EH100-80-160

Revision no.

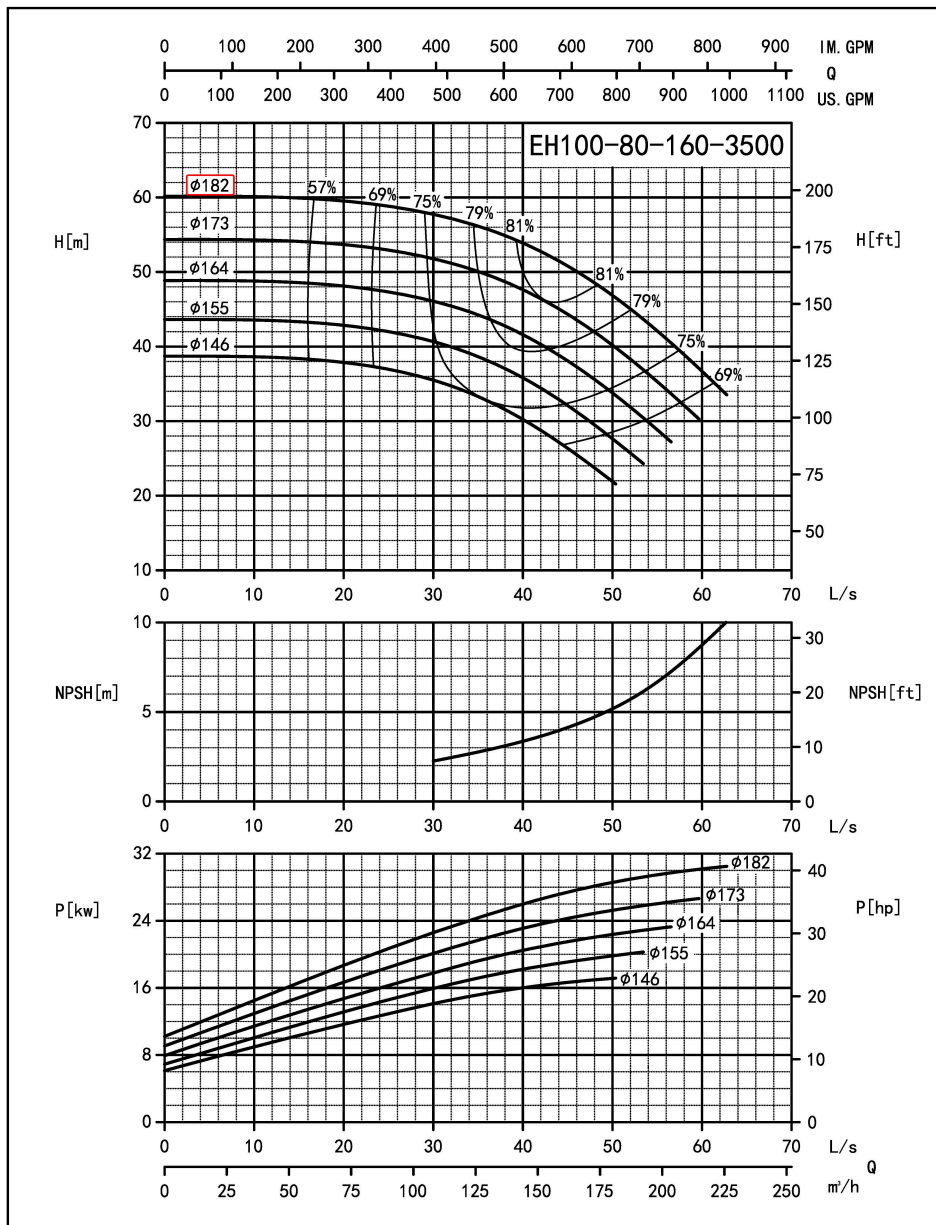
 Page:
3

Receiver

From

 Company name
 Respons. Department
 Person in charge
 Phone number
 Fax no
 E-mail address

Model	Capacity				Head		Speed r/min	Power			Motor Model	Eff %	Impeller Dia.		NPSHr m	
	m ³ /h	L/s	GPM	GPH	m	Ft		Shaft kw	Motor							
									kw	HP						
EH100-80-160	99.06	27.52	436.1	26166	58.41	191.6	3500	21.54	30.00	40.00	Y2-200L2-2 37KW	73.2	182	7.2	2.3	
	165.10	45.86	726.9	43614	50.11	164.4		27.83	37.00	50.00					81	4.1
	198.12	55.03	872.3	52338	42.10	138.1		29.55	37.00	50.00					76.9	6.8



Performance to ISO9906 Grade 2 for clean cold water only

EF-A01/1603

Project

Project ID

Created by

Created on

Last update