



Technical Data

Centrifugal Pump - EH65-40-250

Revision no.

Page:

1

Receiver

From

 Company name
 Respons. Department
 Person in charge
 Phone number
 Fax no
 E-mail address

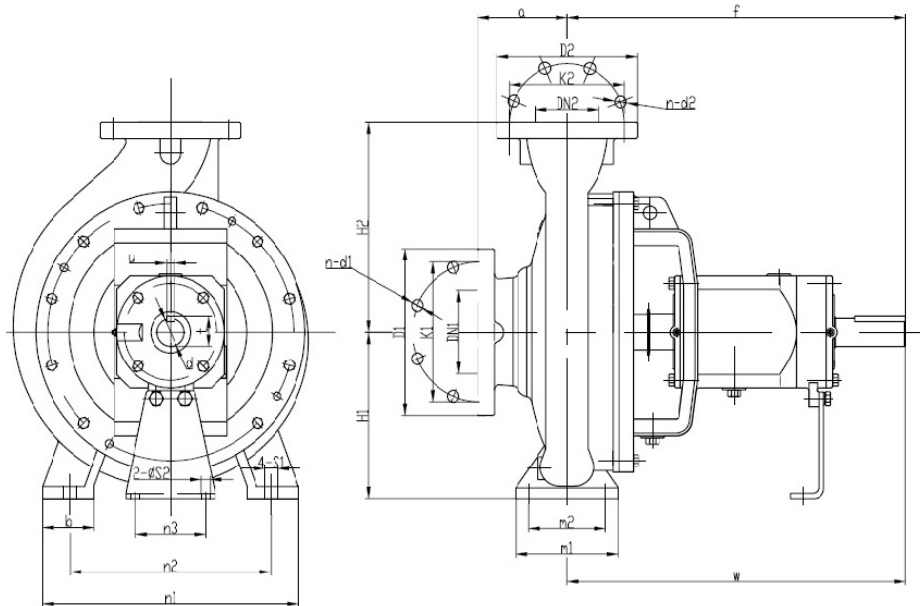
--	--



Brand: Gol Pumps
Model: EH65-40-250

Weight (lb)	
Pump	156

Dimensions:



Suction flange	Suction		Discharge	Discharge		Imp. Dia		Shaft no.
	mm	in		mm	in	mm	in	
DN65	65	2.6	DN40	40	1.6	250	10	2

Pump installation size (inch)

a	f	h1	h2	b	m1	m2	n1	n2	n3	c1	c2	w	S1	S2	d	t	u	l
4	20	7.2	9	2.6	5	3.8	13	10	4.4	0.6	0.2	15	M12	M12	1.3	1.4	0.4	3.2

Project

Project ID

Created by

Created on

Last update



Performance Curves

Centrifugal Pump - EH65-40-250

Revision no.

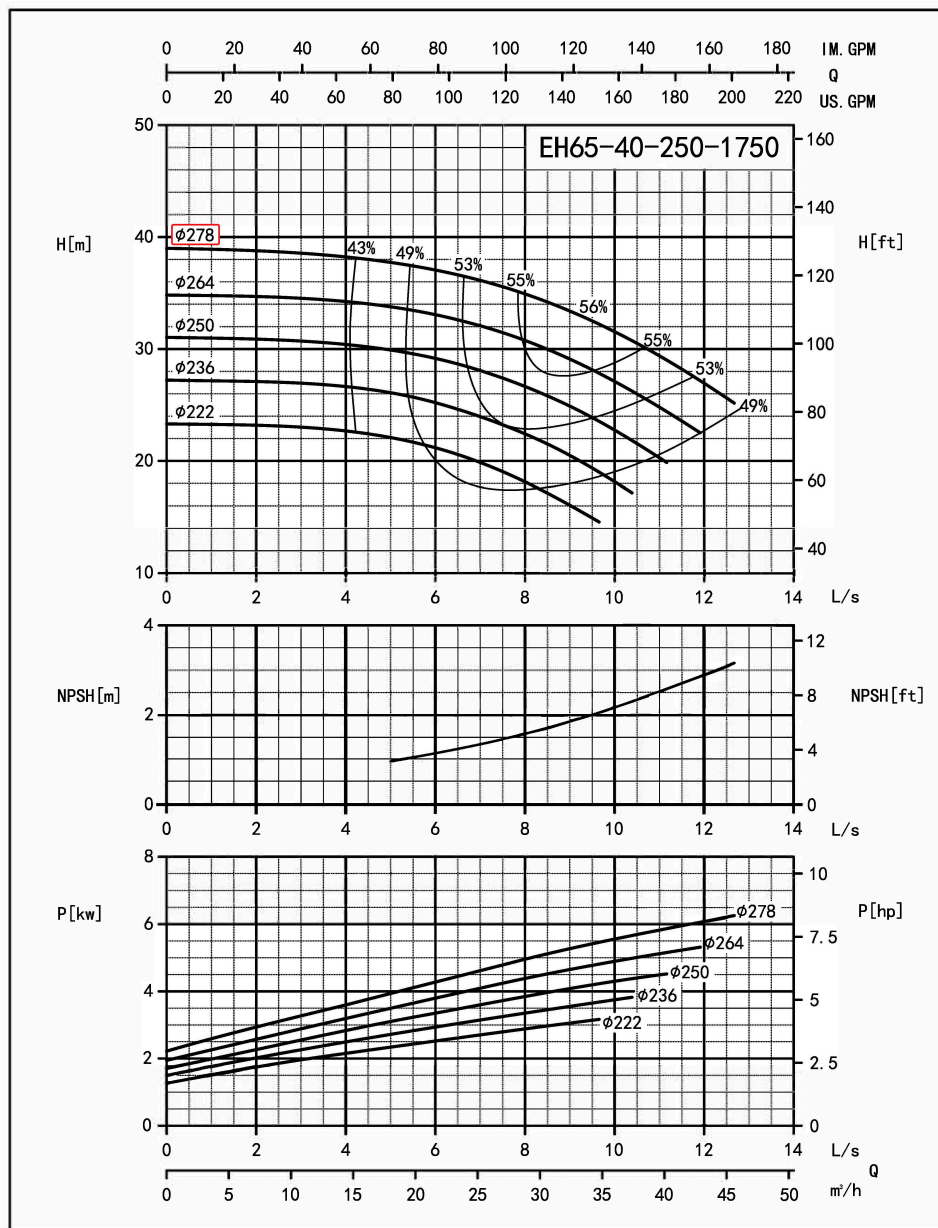
 Page:
2

Receiver

From

 Company name
 Respons. Department
 Person in charge
 Phone number
 Fax no
 E-mail address

Model	Capacity				Head		Speed r/min	Power			Motor Model	Eff %	Impeller Dia.		NPSHr m
	m ³ /h	L/s	GPM	GPH	m	Ft		Shaft	Motor						
								kw	kw	HP					
EH65-40-250	20.86	5.79	91.8	5508	37.29	122.3	1750	4.22	5.50	7.50	Y2-I32M-4	50.2	278	10.9	1.1
	34.76	9.66	153	9180	32.34	106.1		5.47	7.50	10.00	7.5KW	56			2.1
	41.71	11.59	183.6	11016	27.97	91.7		5.96	7.50	10.00		53.3			2.7



Performance to ISO9906 Grade 2 for clean cold water only

EF-A01/1601

Project

Project ID

Created by

Created on

Last update



Performance Curves

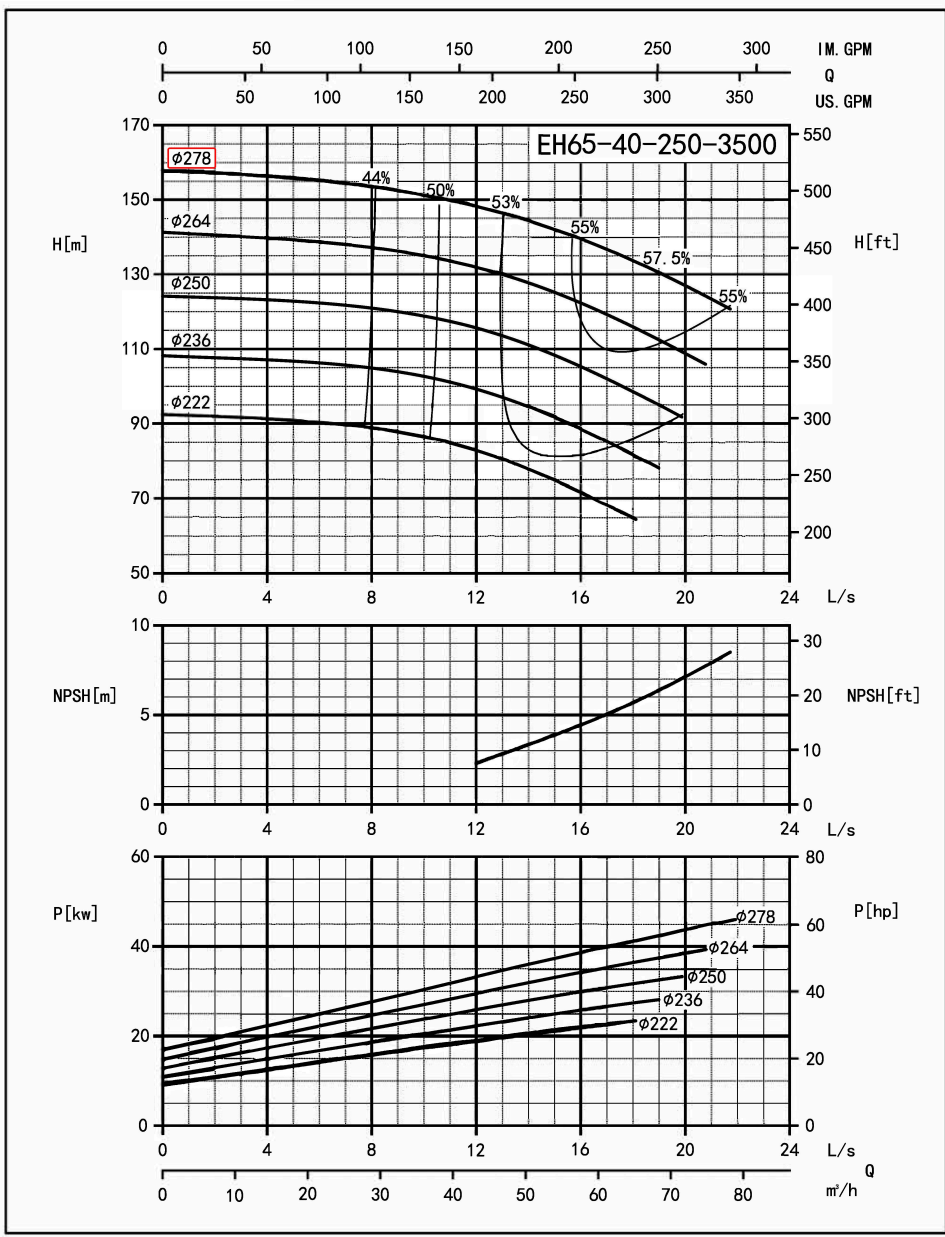
Centrifugal Pump - EH65-40-250

Revision no. _____
 Page: 3

Receiver	From

Company name _____
 Respons. Department _____
 Person in charge _____
 Phone number _____
 Fax no _____
 E-mail address _____

Model	Capacity				Head		Speed r/min	Power			Motor Model	Eff %	Impeller Dia.		NPSHr m
	m ³ /h	L/s	GPM	GPH	m	Ft		Shaft	Motor						
								kw	kw	HP					
EH65-40-250	36.50	10.14	160.7	9642	151.20	495.9	3500	30.75	37.00	55.00	Y2-250M-2	48.9	278	10.9	1.7
	60.83	16.90	267.8	16068	136.92	449.1		40.53	55.00	75.00	55KW	56			5
	72.99	20.28	321.4	19284	126.00	413.3		44.44	55.00	75.00	55KW	56.4			7.3



Performance to ISO9906 Grade 2 for clean cold water only

EF-A01/1603

Project	Project ID	Created by	Created on	Last update
---------	------------	------------	------------	-------------