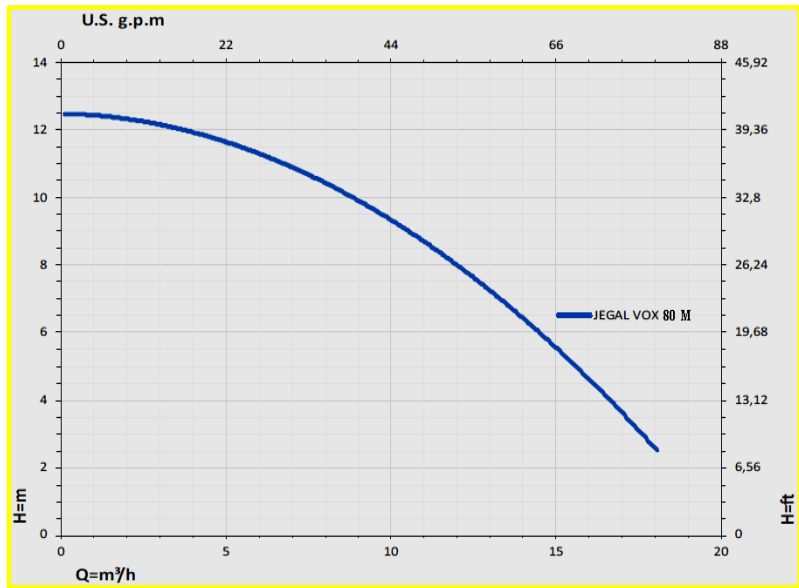


### Pump Data

Brand : JMS  
 Model : JEGAL 80 M

Head Rate: 31 FEET      Flow Rate: 44 GPM  
 Head Max: 41 FEET      Flow Max: 79 GPM  
 Head Min: 8 FEET      Flow Min: 5 GPM

RPM : 3450 rpm  
 Normal Power P1 : 2 HP  
 Fluid: Water  
 Fluid Temperature: at about 25 °C.  
 Density: water 1.0 kg/Dm<sup>3</sup>  
 Fluid Viscosity: 8.90 × 10<sup>-4</sup> Pa·s  
 With Float switch: Yes  
 kind of Workiny: Submersible  
 Delivery size: 1 1/2" NPT  
 Suction size: With Strainer  
 Made in : ITALY



### Motor Data

Power P2:  
 Power P1: 1.5 KW  
 Phase (PH): 1  
 Rate Voltage : 220 V  
 Capacitor Need : 25      μF  
 Ferequency : 60 Hz  
 Rated Speed (rpm): 3450 rpm  
 Max. I (A): 13 A  
 Cos φ : 0.95  
 Degree of Protection (IP): IP 68  
 Safety Protection Included: F  
 length of Cable : 10 M  
 Kind of Plug : NONE  
 Ambient Temp : 40°C = 104°F

### Other Pump Data

Impeller Size (mm) : \*  
 Pressuer Rating : PN 16  
 Min. Fluid Temp : 10°C = 50°F  
 Max. Fluid Temp : 35°C = 95°F  
 Ambient Temp : 40°C = 104°F  
 Humidity % : 100%

### Special Specification

Installation status : Vertical  
 Variable frequency : NONE  
 Solid Passage : 10 mm

### Materials

Pump Body : Stainless steel  
 Support: Stainless steel  
 Impeller: AISI 304  
 Mechanical Seal: Silicon Carbide / Ceramic  
 Rubber: VITON  
 Pump Shaft: AISI 316  
 Strainer: Stainless steel  
 outer cover: AISI 304  
 Motor: Stainless steel

### Shaft Seal

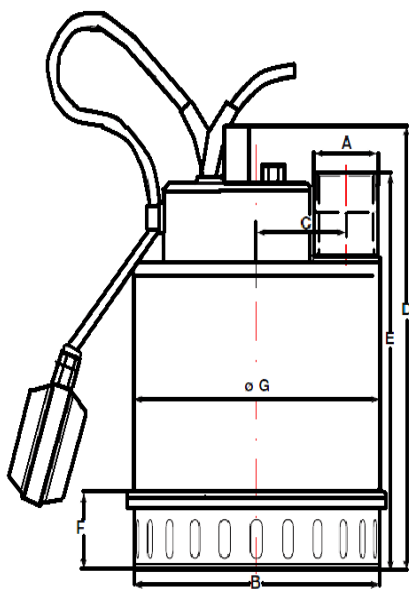
Type: \*  
 Stationary Part: AISI 316  
 Rotating Part: AISI 316  
 Elastomer: VITON

### Pump and Motor specification optional

With Booster System: None  
 With Complack: None  
 Special Material: None  
 Specail Voltage: None

### Protection system required

External Flout switch: YES  
 Minimum Starter: Starter SWT



Weight : 14 Kg  
 Standard Approve  
 CE

Applicant:

- Rain Seepage Sump Pit And Catch Tank Water Pump Out
- Garden And Vegetable-Garden Mini Flood Irrigation
- System Rainwater Catch Tank Pump Down White Water Pump
- Over From Reservoirs Pumping Dirty Water With Possible
- Floating Solid Contents And Vats. Pumping Aggressive Liquid

Dimention in mm	
A	1 1/2" Inch
B	212.4
C	73
D	290.2
E	259.2
F	50.5
G	202