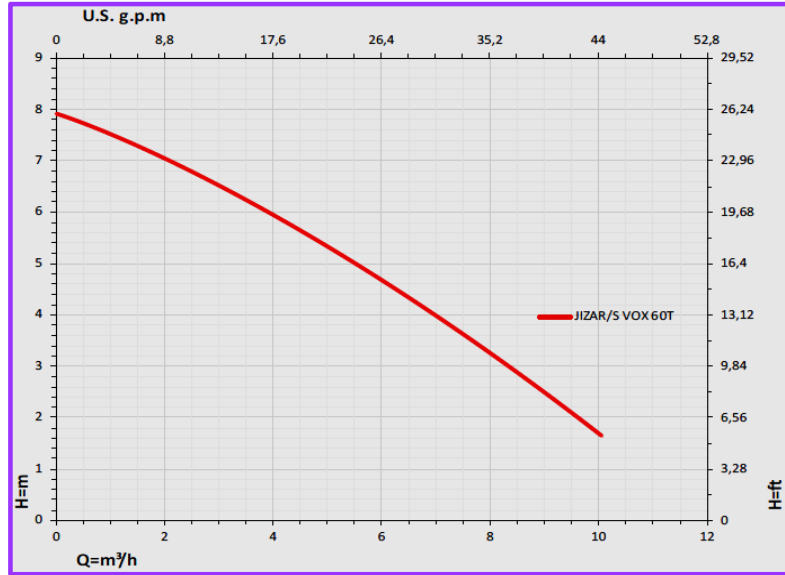


#### Pump Data

Brand :	JMS		
Model :	JIZAR/S VOX 60 M		
Head Rate :	19.6 FEET	Flow Rate :	17.6 GPM
Head Max :	26 FEET	Flow Max :	44 GPM
Head Min :	6 FEET	Flow Min :	5 GPM
RPM :	3450 rpm		
Normal Power P1 :	0.5 HP		
Fluid :	Water		
Fluid Temperature :	at about 25 °C.		
Density :	water 1.0 kg/Dm <sup>3</sup>		
Fluid Viscosity :	8.90 × 10 <sup>-4</sup> Pa·s		
With Float switch :	NONE		
kind of Workiny :	Submersible		
Delivery size :	1 1/4" NPT		
Suction size :	With Strainer		
Made in :	ITALY		



#### Motor Data

Power P2:			
Power P1:	0.55 KW		
Phase (PH):	1		
Rate Voltage :	220 V		
Capacitor Need :	*	µF	
Ferequency :	60 Hz		
Rated Speed (rpm):	3450 rpm		
Max. I (A):	*		
Cos φ :	0.85		
Degree of Protection (IP):	IP 68		
Safety Protection Included:	F		
length of Cable :	10 M		
Kind of Plug :	NONE		
Ambient Temp :	40°C = 104°F		

#### Other Pump Data

Impeller Size (mm) :	*		
Pressuer Rating :	PN 16		
Min. Fluid Temp :	10°C = 50°F		
Max. Fluid Temp :	35°C = 95°F		
Ambient Temp :	40°C = 104°F		
Humidity % :	100%		

#### Special Specification

Installation status :	Vertical		
Variable frequency :	NONE		
Solid Passage	20 mm		

#### Materials

Pump Body :	Tecnopolymer		
Support:	Stainless steel		
Impeller	AISI 316		
Mechanical Seal:	Silicon Carbide		
Rubber	VITON		
Pump Shaft:	AISI 316		
Strainer	Stainless steel		
outer cover:	Tecnopolymer		
Motor:	Stainless steel		

#### Shaft Seal

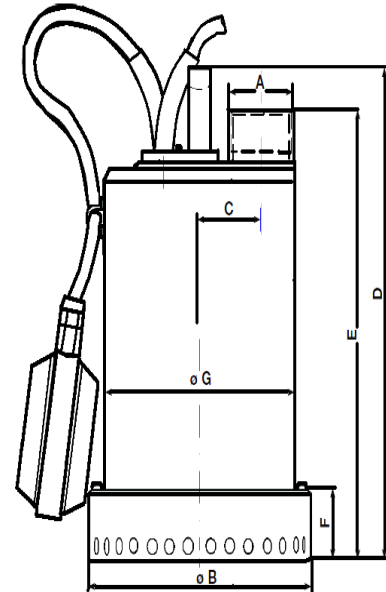
Type:	*		
Stationary Part	AISI 316		
Rotating Part	AISI 316		
Elastomer	VITON		

#### Pump and Motor specification optional

With Booster System	None		
With Complack	None		
Special Material	None		
Specail Voltage	None		

#### Protection system required

External Flout switch	NONE		
Minimum Starter	Starter SWT		



Weight : 7.5 Kg

Standard Approve



Applicant:

- Rain Seepage Sump Pit And Catch Tank Water Pump Out Garden
- And Vegetable-Garden Mini Flood Irrigation System Rainwater
- Catch Tank Pump Down White Water Pump Over From
- Reservoirs Pumping Dirty Water With Possible Floating
- Solid Contents And Vats. Pumping Aggressive Liquid

Dimention in mm

A	1 1/4" Inch
B	154
C	41
D	282
E	261
F	70
G	132