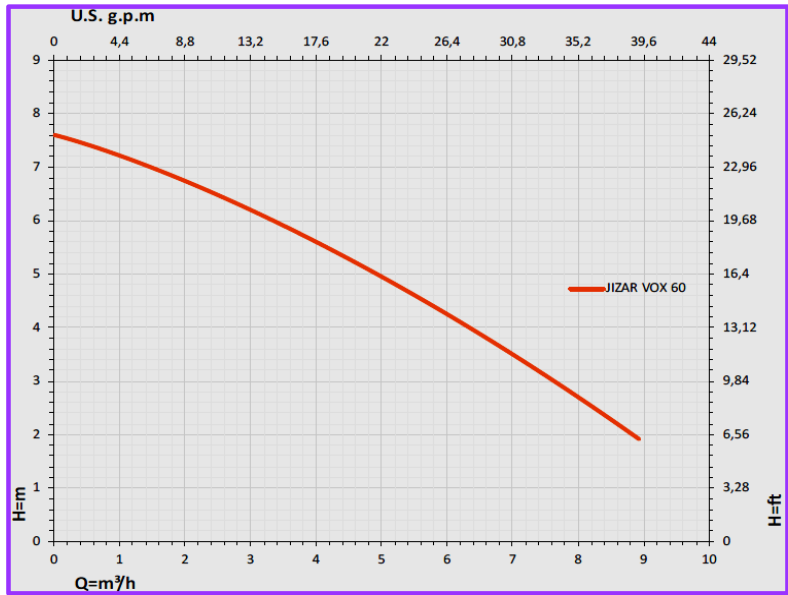


Pump Data

Brand : JMS
 Model : JIZAR VOX 60 M
 Head Rate: 17 FEET Flow Rate: 17.6 GPM
 Head Max: 25 FEET Flow Max: 40 GPM
 Head Min: 6 FEET Flow Min: 5 GPM
 RPM : 3450 rpm
 Normal Power P1 : 1 HP
 Fluid: Water
 Fluid Temperature: at about 25 °C.
 Density: water 1.0 kg/Dm³
 Fluid Viscosity: 8.90 × 10⁻⁴ Pa·s
 With Float switch: Yes
 kind of Workiny: Submersible
 Delivery size: 1 1/4" NPT
 Suction size: With Strainer
 Made in : ITALY



Motor Data

Power P2:
 Power P1: 0.75 KW
 Phase (PH): 1
 Rate Voltage : 115 V
 Capacitor Need : 12.5 μF
 Ferequency : 60 Hz
 Rated Speed (rpm): 3450 rpm
 Max. I (A): 6.5 A
 Cos φ : 0.95
 Degree of Protection (IP): IP 68
 Safety Protection Included: F
 length of Cable : 10 M
 Kind of Plug : NONE
 Ambient Temp : 40°C = 104°F

Other Pump Data

Impeller Size (mm) : *
 Pressuer Rating : PN 16
 Min. Fluid Temp : 10°C = 50°F
 Max. Fluid Temp : 35°C = 95°F
 Ambient Temp : 40°C = 104°F
 Humidity % : 100%

Special Specification

Installation status : Vertical
 Variable frequency : NONE
 Solid Passage 20 mm

Materials

Pump Body : Tecnopolymer
 Support: Stainless steel
 Impeller Tecnopolymer
 Mechanical Seal: Graphite - Ceramic
 Rubber NBR 70
 Pump Shaft: AISI 303
 Strainer Stainless steel
 outer cover: Tecnopolymer
 Motor: Stainless steel

Shaft Seal

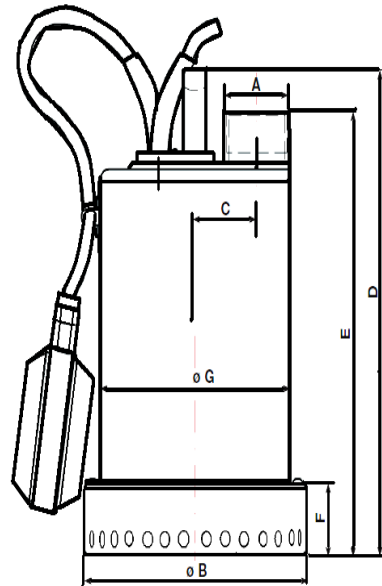
Type: *
 Stationary Part AISI 303
 Rotating Part AISI 303
 Elastomer NBR 70

Pump and Motor specification optional

With Booster System None
 With Complack None
 Special Material None
 Specail Voltage None

Protection system required

External Flout switch YES
 Minimum Starter Starter SWT



Weight : 7.5 Kg

Standard Approve



Applicant:

Rain Seepage Sump Pit And Catch Tank Water
 Pump Out Garden And Vegetable-Garden Mini Flood
 Irrigation System Rainwater Catch Tank Pump Down White Water
 Pump Over From Reservoirs Pumping Dirty Water With
 Possible Floating Solid Contents And Vats. Pumping Aggressive Liquid

Dimention in

mm
 A 1 1/4" Inch
 B 154
 C 41
 D 282
 E 261
 F 70
 G 132