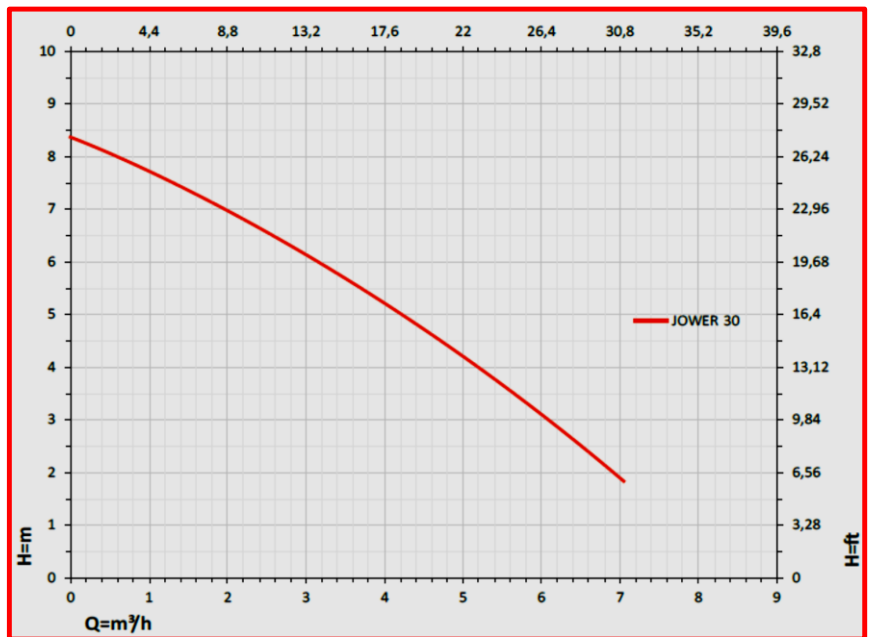


#### Pump Data

Brand :	JMS		
Model :	JOWER 30 M		
Head Rate :	19.6 FEET	Flow Rate :	17.6 GPM
Head Max :	28 FEET	Flow Max :	34 GPM
Head Min :	5 FEET	Flow Min :	5 GPM
RPM :	3450 rpm		
Normal Power P1 :	0.8 HP		
Fluid :	Water		
Fluid Temperature :	at about 25 °C.		
Density :	water 1.0 kg/Dm <sup>3</sup>		
Fluid Viscosity :	8.90 × 10 <sup>-4</sup> Pa-s		
With Float switch	Yes		
kind of Workiny:	Submersible		
Delivery size	1 1/4" NPT		
Suction size	With Strainer		
Made in :	ITALY		



#### Motor Data

Power P1:	0.6 KW	
Phase (PH):	1	
Rate Voltage :	115 V	
Capacitor Need :	16	µF
Ferequency :	60 Hz	
Rated Speed (rpm):	3450 rpm	
Max . I (A):	4.8 A	
Cos φ :	0.95	
Degree of Protection (IP):	IP 68	
Safety Protection Included:	F	
length of Cable :	10 M	
Kind of Plug :	NONE	
Ambient Temp :	40°C = 104°F	

#### Other Pump Data

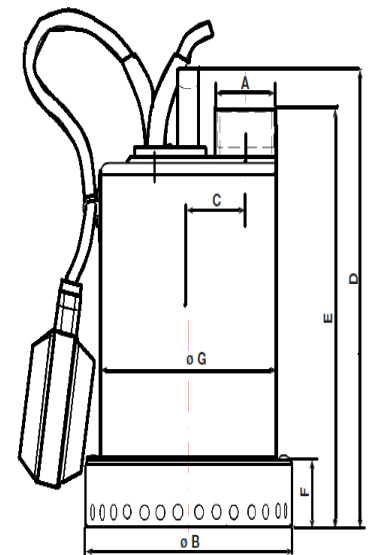
Impeller Size (mm) :	*
Pressuer Rating :	PN 16
Min. Fluid Temp :	10°C = 50°F
Max. Fluid Temp :	35°C = 95°F
Ambient Temp :	40°C = 104°F
Humidity % :	100%

#### Special Specification

Installation status :	Vertical
Variable frequency :	NONE
Solid Passage	10 mm

#### Materials

Pump Body :	Tecnopolymer
Support:	Stainless steel
Impeller	Tecnopolymer
Mechanical Seal:	Graphite - Ceramic
Rubber	NBR 70
Pump Shaft:	AISI 303
Strainer	Stainless steel
outer cover:	Tecnopolymer
Motor Case:	Stainless steel



#### Shaft Seal

Type:	*
Stationary Part	AISI 303
Rotating Part	AISI 303
Elastomer	NBR 70

Weight : 7 Kg

Standard Approve



Applicant:

Dimention in

	mm
A	1 1/4" Inch
B	154
C	41
D	241
E	228
F	40
G	132

#### Pump and Motor specification optional

With Booster System	None
With Complack	None
Special Material	None
Specail Voltage	None

#### Protection system required

External Flout switch	YES
Minimum Starter	Starter SWT

Rain Seepage Sump Pit And Catch Tank Water  
 Pump Out Garden And Vegetable-Garden Mini  
 Flood Irrigation System Rainwater Catch Tank  
 Pump Down White Water Pump Over From  
 Reservoirs And Vats. Pumping Aggressive Liquid