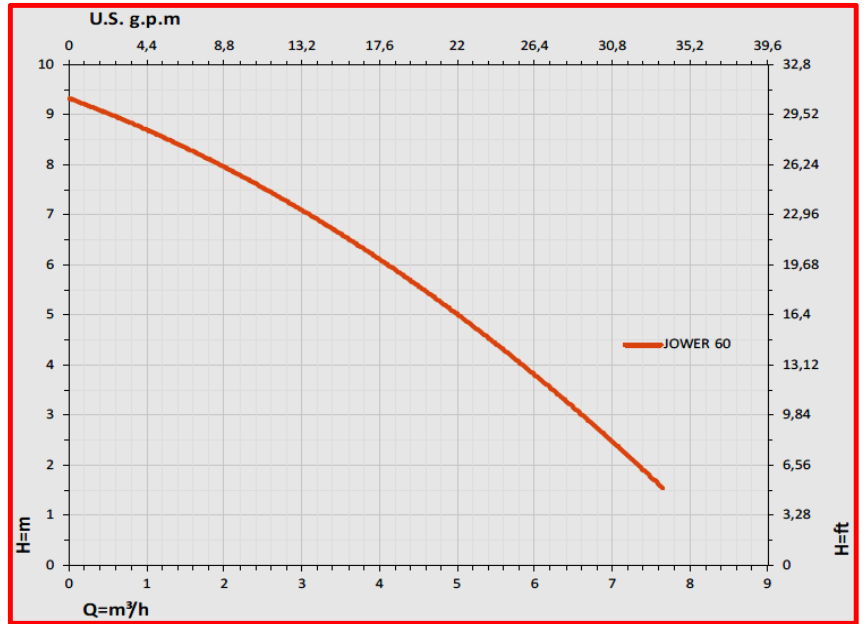


Pump Data

Brand :	JMS		
Model :	JOWER 60 M		
Head Rate :	19.6 FEET	Flow Rate :	17.6 GPM
Head Max :	31 FEET	Flow Max :	34 GPM
Head Min :	5 FEET	Flow Min :	5 GPM
RPM :	3450 rpm		
Normal Power P1 :	1 HP		
Fluid :	Water		
Fluid Temperature :	at about 25 °C.		
Density :	water 1.0 kg/Dm ³		
Fluid Viscosity :	8.90 × 10 ⁻⁴ Pa-s		
With Float switch	Yes		
kind of Workiny:	Submersible		
Delivery size	1 1/4" NPT		
Suction size	With Strainer		
Made in :	ITALY		



Motor Data

Power P1:	0.75 KW	
Phase (PH):	1	
Rate Voltage :	115 V	
Capacitor Need :	12.5	µF
Ferequency :	60 Hz	
Rated Speed (rpm):	3450 rpm	
Max. I (A) :	6.5 A	
Cos φ :	0.95	
Degree of Protection (IP):	IP 68	
Safety Protection Included:	F	
length of Cable :	10 M	
Kind of Plug :	NONE	
Ambient Temp :	40°C = 104°F	

Other Pump Data

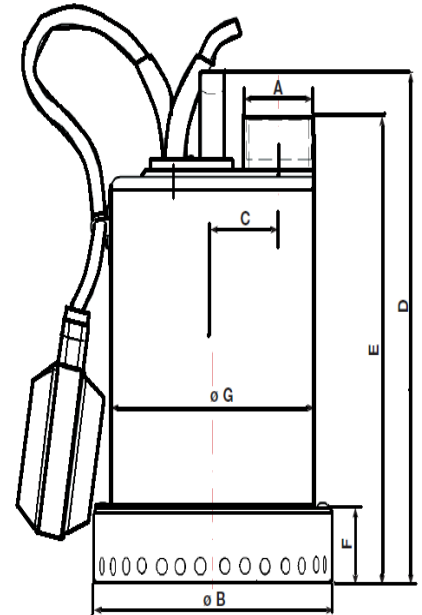
Impeller Size (mm) :	*
Pressuer Rating :	PN 16
Min. Fluid Temp :	10°C = 50°F
Max. Fluid Temp :	35°C = 95°F
Ambient Temp :	40°C = 104°F
Humidity % :	100%

Special Specification

Installation status :	Vertical
Variable frequency :	NONE
Solid Passage	10 mm

Materials

Pump Body :	Tecnopolymer
Support:	Stainless steel
Impeller	Tecnopolymer
Mechanical Seal:	Graphite - Ceramic
Rubber	NBR 70
Pump Shaft:	AISI 303
Strainer	Stainless steel
outer cover:	Tecnopolymer
Motor:	Stainless steel



Shaft Seal

Type:	*
Stationary Part	AISI 303
Rotating Part	AISI 303
Elastomer	NBR 70

Weight : 7.5 Kg

Standard Approve

CE



Applicant:

Dimention in

mm

Rain Seepage Sump Pit And Catch Tank Water

A 1 1/4" Inch

Pump Out Garden And Vegetable-Garden

B 154

Mini Flood Irrigation System Rainwater Catch

C 41

Tank Pump Down White Water Pump Over From

D 241

Reservoirs And Vats. Pumping Aggressive Liquid

E 228

F 40

G 132

Pump and Motor specification optional

With Booster System	None
With Complack	None
Special Material	None
Specail Voltage	None

Protection system required

External Flout switch	YES
Minimum Starter	Starter SWT