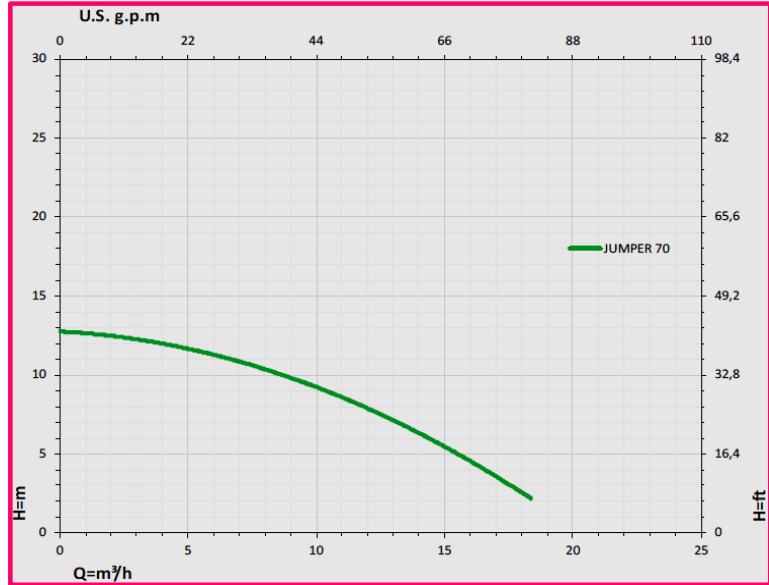


Pump Data

Brand :	JMS		
Model :	JUMPER 70		
Head Rate: 30 FEET	Flow Rate:	44 GPM	
Head Max: 43 FEET	Flow Max:	79 GPM	
Head Min: 6 FEET	Flow Min:	5 GPM	
RPM :	3450 rpm		
Normal Power P1 :	2 HP		
Fluid:	Water		
Fluid Temperature:	at about 25 °C.		
Density:	water 1.0 kg/Dm³		
Fluid Viscosity:	8.90 × 10 ⁻⁴ Pa·s		
With Float switch	Yes		
kind of Workiny:	Submersible		
Delivery size	1 1/2" NPT		
Suction size	With Strainer		
Made in :	ITALY		



Motor Data

Power P2:	
Power P1:	1.5 KW
Phase (PH):	1
Rate Voltage :	115 V
Capacitor Need :	25µf 250V
Ferequency :	60 Hz
Rated Speed (rpm):	3450 rpm
Max. I (A):	13 A
Cos φ :	0.95
Degree of Protection (IP):	IP 68
Safety Protection Included:	F
length of Cable :	10 M
Kind of Plug :	NONE
Ambient Temp :	40°C = 104°F

Other Pump Data

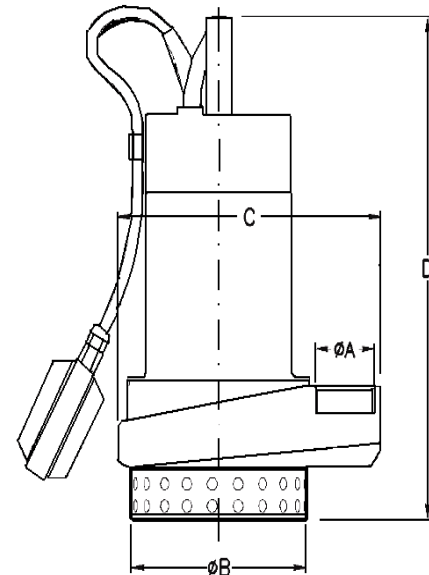
Impeller Size (mm) :	*
Pressuer Rating :	PN 16
Min. Fluid Temp :	10°C = 50°F
Max. Fluid Temp :	35°C = 95°F
Ambient Temp :	40°C = 104°F
Humidity % :	100%

Special Specification

Installation status :	Vertical
Variable frequency :	NONE
Solid Passage	8 mm

Materials

Pump Body :	CAST IRON
Support:	Stainless steel
Impeller	Stainless steel
Mechanical Seal:	Silicon Carbide / Ceramic
Rubber	NBR
Pump Shaft:	Stainless steel
Strainer	Stainless steel
outer cover:	CAST IRON
Motor:	Stainless steel



Shaft Seal

Type:	*
Stationary Part	Silicon Carbide
Rotating Part	Silicon Carbide
Elastomer	NBR

Weight : 16 Kg

Standard Approve



Applicant:

Dimention in mm

A	1"1/2 NPT
B	190
C	213.5
D	300

Pump and Motor specification optional

With Booster System	None
With Complack	None
Special Material	None
Specail Voltage	None

Protection system required

External Flout switch	YES
Minimum Starter	Starter SWT

- Cellar Garage And Basement Pump Out
- Swimming Pools All Sorts of Vats Tanks
- And Reservoir Pump Out Pit and Catch
- Tank Water Pump out Rain Seepage Sump
- Garden and Vegetable Garden Irrigation