



**Go! Pumps Technology Company**  
Supply, Import, Export Water Pumps

# X1 Series Submersible Drainage Pump

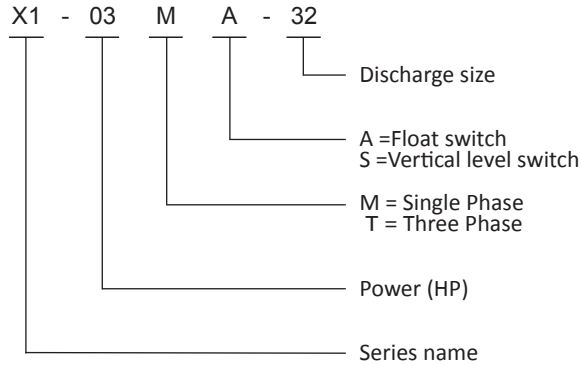
60HZ





# X1 SERIES - Submersible Pump

## Model code



## Feature

Stainless Steel Series electric submersible drainage pumps  
Compact design with Top Discharge Outlet reduces space usage for installation in small manholes, for use in domestic, installations and small featured works.

Two different types of lever sensors:

- Mechanical activated float switch with cable extender (A)
- Vertical Mechanical activated Float Switch with casement (S)

Top discharged cools and removes heat from the motor through the outlet. It allows these pumps to be used even when only partially submerged.

Every model undergoes hydrostatic testing for leakage from the casing and mechanical seals.

## Application

- Domestic drainage
- Grey water drainage.
- Koi pond
- Light waste water discharge.
- Hydro-sanitary
- Emergencies flooding pumping in homes
- Fountain and landscape
- Drainage pumping.
- Livestocks

## Motor

- Motor Type: 2 POLE, dry type
- Frequency: 60Hz
- Insulation Class: F class (155°C)
- Nominal Speed: 3450 rpm

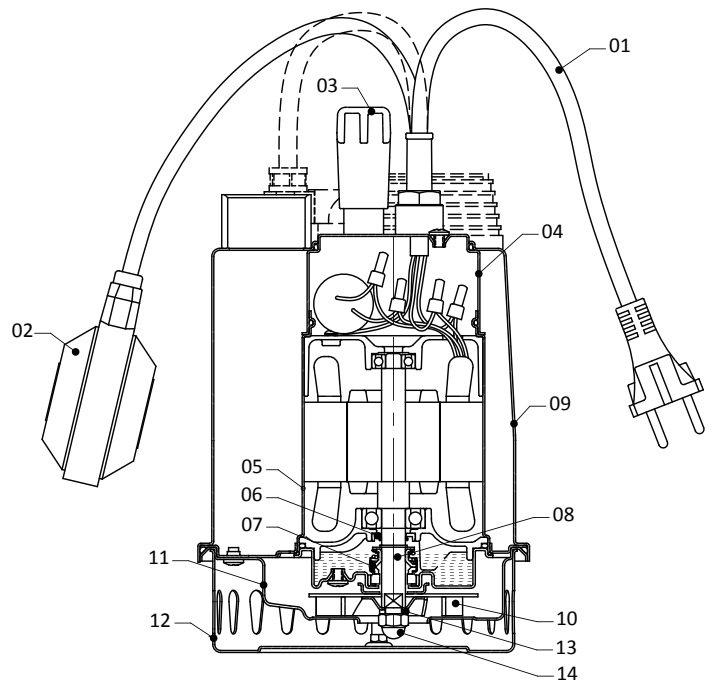
## Operation Conditions

- Liquid Temperature: up to 50°C (122°F)
- MAX.depth: 5M

## Pump

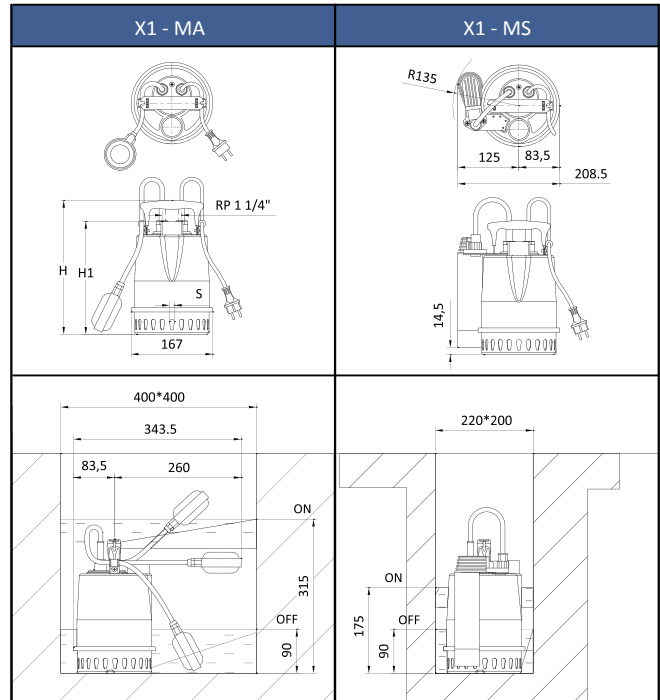
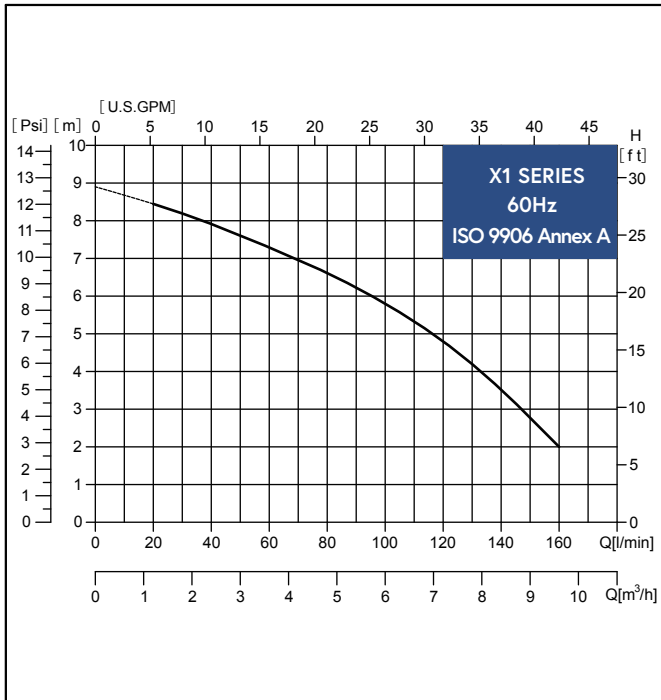
- Enclosure Protection Class: IP 68
- Protector: thermal protection, built-in (single phase)
- Insulation Class: F class (155°C)
- Bearing: double sealed with steel cage
- Mechanical seal: unbalance single mechanical seal bath in oil with spring type oil seal

| No. | Component       | Material                               |
|-----|-----------------|--|
| 1   | Cable           | H05RN-F                                |
| 2   | Float switch    | Plastic                                |
| 3   | Handle          | NY66+G30                               |
| 4   | Motor cover     | AISI 304 / 316                         |
| 5   | Motor housing   | AISI 304 / 316                         |
| 6   | Oil Seal        | NBR                                    |
| 7   | Mechanical seal | Carbon Graphite<br>Ceramic NBR/304/316 |
| 8   | Shaft           | AISI 410                               |
| 9   | Pump housing    | AISI 304 / 316                         |
| 10  | Impeller        | AISI 304 / 316                         |
| 11  | Pump casing     | AISI 304 / 316                         |
| 12  | Strainer        | AISI 304 / 316                         |
| 13  | Spring washer   | AISI 304 / 316                         |
| 14  | Hex Domed Nuts  | AISI 304 / 316                         |





# Dimension



| Q=Capacity              |     |     |     |     |     |     |
|-------------------------|-----|-----|-----|-----|-----|-----|
| l/min                   | 0   | 20  | 40  | 80  | 120 | 160 |
| m³/h                    | 0   | 1.2 | 2.4 | 4.8 | 7.2 | 9.6 |
| H=Total manometric head |     |     |     |     |     |     |
| meters                  | 8.7 | 8.3 | 7.7 | 6.5 | 4.6 | 2.1 |

| Model      | Dimensions |     |    | Pallet dimension<br>L x W x H (cm) | Units/<br>Pallet |
|------------|------------|-----|----|------------------------------------|------------------|
|            | H          | H1  | S  |                                    |                  |
| X1-03M-32  | 274        | 231 | 10 | 110 x 110 x 210                    | 144              |
| X1-03MA-32 |            |     |    |                                    |                  |
| X1-03MS-32 |            |     |    |                                    |                  |
| X1-03T-32  |            |     |    |                                    |                  |

## Specifications

| Model      | Phase | Voltage | Power |      | Head Rated | Head Max. | Flow Rated |      | Flow Max. |      | Ampere  | Connection | Solid Passage | Weight(Kg) |
|------------|-------|---------|-------|------|------------|-----------|------------|------|-----------|------|---------|------------|---------------|------------|
|            | φ     | V       | HP    | kW   | M          | M         | L/min      | m³/h | L/min     | m³/h | FLA (A) | Outlet     | (mm)          | Cable 10M  |
| X1-03M-32  | 1     | 100-115 | 0.33  | 0.25 | 6          | 8.7       | 90         | 5.4  | 160       | 9.6  | 4.6-4.0 | 1-1/4"     | 10            | 5.4        |
| X1-03MA-32 |       |         |       |      |            |           |            |      |           |      |         |            |               | 5.6        |
| X1-03MS-32 |       |         |       |      |            |           |            |      |           |      |         |            |               | 5.8        |

• Optional: Minimum suction devices(3mm) are available by request.

| Model      | Phase | Voltage | Power |      | Head Rated | Head Max. | Flow Rated |      | Flow Max. |      | Ampere  | Connection | Solid Passage | Weight(Kg) |
|------------|-------|---------|-------|------|------------|-----------|------------|------|-----------|------|---------|------------|---------------|------------|
|            | φ     | V       | HP    | kW   | M          | M         | L/min      | m³/h | L/min     | m³/h | FLA (A) | Outlet     | (mm)          | Cable 10M  |
| X1-03M-32  | 1     | 220-230 | 0.33  | 0.25 | 6          | 8.7       | 90         | 5.4  | 160       | 9.6  | 2.1/2.0 | 1-1/4"     | 10            | 5.4        |
| X1-03MA-32 |       |         |       |      |            |           |            |      |           |      |         |            |               | 5.6        |
| X1-03MS-32 |       |         |       |      |            |           |            |      |           |      |         |            |               | 5.8        |

• Optional: Minimum suction devices(3mm) are available by request.

| Model     | Phase | Voltage | Power |      | Head Rated | Head Max. | Flow Rated |      | Flow Max. |      | Ampere  | Connection | Solid Passage | Weight(Kg) |
|-----------|-------|---------|-------|------|------------|-----------|------------|------|-----------|------|---------|------------|---------------|------------|
|           | φ     | V       | HP    | kW   | M          | M         | L/min      | m³/h | L/min     | m³/h | FLA (A) | Outlet     | (mm)          | Cable 10M  |
| X1-03T-32 | 3     | 220-230 | 0.33  | 0.25 | 6          | 8.7       | 90         | 5.4  | 160       | 9.6  | 1.4/1.3 | 1-1/4"     | 10            | 5.3        |

• Optional: Minimum suction devices(3mm) are available by request.

| Model     | Phase | Voltage | Power |      | Head Rated | Head Max. | Flow Rated |      | Flow Max. |      | Ampere  | Connection | Solid Passage | Weight(Kg) |
|-----------|-------|---------|-------|------|------------|-----------|------------|------|-----------|------|---------|------------|---------------|------------|
|           | φ     | V       | HP    | kW   | M          | M         | L/min      | m³/h | L/min     | m³/h | FLA(A)  | Outlet     | (mm)          | Cable 10M  |
| X1-03T-32 | 3     | 380-400 | 0.33  | 0.25 | 6          | 8.7       | 90         | 5.4  | 160       | 9.6  | 0.8/0.7 | 1-1/4"     | 10            | 5.3        |

• Optional: Minimum suction devices(3mm) are available by request.



**Gol Pumps Technology Company**

*Supply, Import, Export Water Pumps*



## **Gol Pumps Technology**

[www.golpumpstechnology.com](http://www.golpumpstechnology.com)

**Our Address:** 6520 NW 77th CT, Miami FL 33166, USA

**Sales DPT:** +1 786 615 8984

**After Sales Service:** +1 786 452 9775

**Fax:** +1 786 615 7043

**Email:** [info@golpumps.com](mailto:info@golpumps.com)

