



**Go! Pumps Technology Company**  
*Supply, Import, Export Water Pumps*

# XD Series Submersible Drainage Pump

60HZ

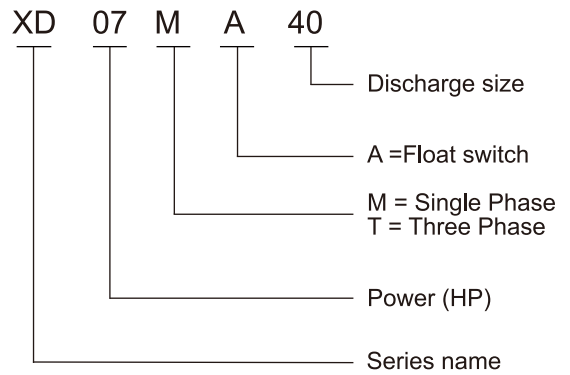




# XD SERIES - Submersible Pump



## Model Code



## Applications

- Basement water removal
- Waste water drainage
- Water transfer
- Sump/effluent handling
- Dewatering
- Fish pond & fountain circulation
- Factory waste water handling

## Motor Data

- Motor Type : 2 POLE , dry type
- Frequency : 60Hz
- Nominal Speed : 3450 rpm
- Insulation Class : F class (155°C)
- Enclosure Protection Class : IP 68
- Protection Device : Thermal Protector (Single phase)

## Pump Data

- Impeller : Open Impeller
- Shaft Seal / Mechanical : Double Seals
- Bearing : Double-shielded Ball Bearing
- Maximum immersion depth: 7 m

## Installation

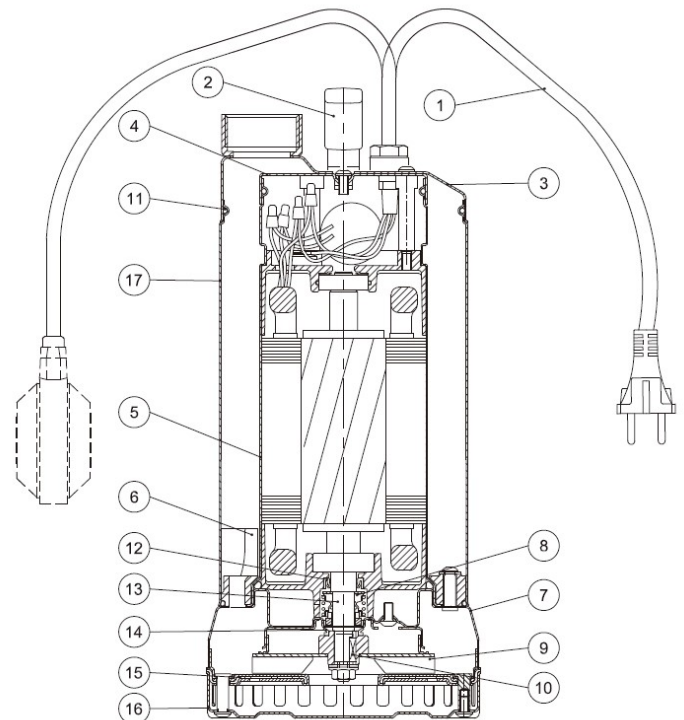
- Min level of pumped liquid:  
Pump: 25 mm (in case of continuous working it is advised a total immersion)

## Operation Conditions

- Fluid Temperature: 0 to 50°C (122°F)

## Material

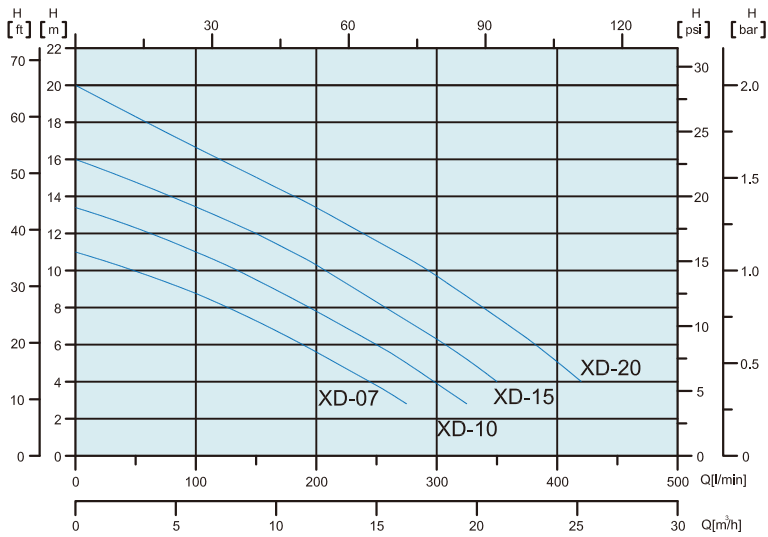
| No. | Component             | Material                       |
|-----|-----------------------|--------------------------------|
| 1   | Cable                 | SJTW / STOW                    |
| 2   | Handle                | AISI 304 / 316 + Nylon         |
| 3   | Pump Cover            | AISI 304 / 316                 |
| 4   | Motor Cover           | AISI 304 / 316                 |
| 5   | Motor Casing          | AISI 304 / 316                 |
| 6   | Fixing Ring           | Nylon+30GF                     |
| 7   | Pump body             | AISI 304 / 316                 |
| 8   | Mechanical seal       | Sic /Sic / NBR                 |
| 9   | Impeller              | AISI 304 / 316                 |
| 10  | Key                   | AISI 304 / 316                 |
| 11  | O-RING                | NBR                            |
| 12  | Oil Seal              | NBR                            |
| 13  | Shaft                 | AISI 304 / 316                 |
| 14  | V-type Axial Oil Seal | NBR                            |
| 15  | Suction flange        | AISI 304 / 316                 |
|     |                       | Thermoplastic polyurethane TPU |
| 16  | Strainer              | AISI 304 / 316                 |





# Dimension

## Performance Curves



## Technical Data

### Single Phase

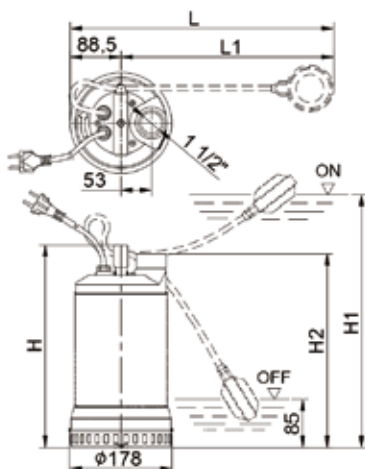
| Model       | Power        |      | Current(A) |           | Capacitoret |                          | Head                     |           | Flow    |               | Discharge inch |             |
|-------------|--------------|------|------------|-----------|-------------|--------------------------|--------------------------|-----------|---------|---------------|----------------|-------------|
|             | Single Phase | HP   | Kw         | 110-127V  | 220-230V    | 110-127V <sub>UF/V</sub> | 220-230V <sub>UF/V</sub> | Rated (M) | Max (M) | Rated (L/min) |                | Max (L/min) |
| XD 07-M-40  | Single Phase | 0.75 | 0.55       | 8.8-8.0   | 4.7-4.5     | 20UF 350V                | 20UF 450V                | 8.7       | 11.0    | 100           | 275            | 1 1/2"      |
| XD 07-MA-40 |              |      |            |           |             |                          |                          |           |         |               |                |             |
| XD 10-M-40  | Single Phase | 1.0  | 0.75       | 11.0-10.3 | 5.7-5.5     | 35UF 350V                | 22UF 450V                | 11.0      | 13.4    | 100           | 325            |             |
| XD 10-MA-40 |              |      |            |           |             |                          |                          |           |         |               |                |             |
| XD 15-M-40  | Single Phase | 1.5  | 1.1        | -         | 8.0-7.7     | -                        | 30UF 450V                | 12.0      | 16.0    | 150           | 350            |             |
| XD 15-MA-40 |              |      |            |           |             |                          |                          |           |         |               |                |             |

A = Auto Float Switch

### Three Phase

| Model      | Power        |      | Current(A) |          |          | Head     |           | Flow    |               | Discharge inch |             |
|------------|--------------|------|------------|----------|----------|----------|-----------|---------|---------------|----------------|-------------|
|            | Single Phase | HP   | Kw         | 220-230V | 380-440V | 460-480V | Rated (M) | Max (M) | Rated (L/min) |                | Max (L/min) |
| XD 07-T-40 | Single Phase | 0.75 | 0.55       | 2.4-2.3  | 1.4-1.3  | 1.2-1.0  | 8.7       | 11.0    | 100           | 275            | 1 1/2"      |
| XD 10-T-40 | Single Phase | 1.0  | 0.75       | 3.6-3.5  | 2.1-2.0  | 1.8-1.6  | 11.0      | 13.4    | 100           | 325            |             |
| XD 15-T-40 | Single Phase | 1.5  | 1.0        | 4.1-4.0  | 2.4-2.3  | 2.3-2.1  | 12.0      | 16.0    | 150           | 350            |             |
| XD 20-T-40 | Single Phase | 2.0  | 1.5        | 5.7-5.5  | 3.3-3.1  | 3.0-2.7  | 15.0      | 20.0    | 150           | 420            |             |

## Dimensions



| Model       | Discharge[mm] |     |     |     |     | Solid Passage [mm] | Cable    |    | N.W. [kg] |
|-------------|---------------|-----|-----|-----|-----|--------------------|----------|----|-----------|
|             | H             | H1  | H2  | L   | L1  |                    | UL(AWG)  | M  |           |
| XD 07-M-40  | 357           | 437 | 341 | 459 | 370 | 8                  | 16AWGx3C | 10 | 11.0      |
| XD 07-MA-40 | 357           | 437 | 341 | 459 | 370 | 8                  | 16AWGx3C | 10 | 11.5      |
| XD 10-M-40  | 407           | 497 | 391 | 514 | 425 | 8                  | 16AWGx3C | 10 | 14.0      |
| XD 10-MA-40 | 407           | 497 | 391 | 514 | 425 | 8                  | 16AWGx3C | 10 | 14.5      |
| XD 15-M-40  | 407           | 497 | 391 | 514 | 425 | 8                  | 14AWGx3C | 10 | 16.0      |
| XD 15-MA-40 | 407           | 497 | 391 | 514 | 425 | 8                  | 14AWGx3C | 10 | 16.5      |
| XD 07-T-40  | 357           | -   | 341 | -   | -   | 8                  | 16AWGx4C | 10 | 11.0      |
| XD 10-T-40  | 357           | -   | 341 | -   | -   | 8                  | 16AWGx4C | 10 | 12.0      |
| XD 15-T-40  | 407           | -   | 391 | -   | -   | 8                  | 16AWGx4C | 10 | 14.0      |
| XD 20-T-40  | 407           | -   | 391 | -   | -   | 8                  | 16AWGx4C | 10 | 16.0      |



**Gol Pumps Technology Company**

*Supply, Import, Export Water Pumps*



## **Gol Pumps Technology**

[www.golpumptechnology.com](http://www.golpumptechnology.com)

**Our Address:** 6520 NW 77th CT, Miami FL 33166, USA

**Sales DPT:** +1 786 615 8984

**After Sales Service:** +1 786 452 9775

**Fax:** +1 786 615 7043

**Email:** [info@golpumps.com](mailto:info@golpumps.com)

