



GOLPUMPS TECHNOLOGY INC.

Model No.: 118A

Name : Heavy duty Pressure gauge (Full stainless steel)

Applications :

With liquid -filled case for applications with High dynamic Pressure Loads or Vbrations
For Gaseous and Liquid Media that are not highly viscous or crystallising also in aggressive ambience

Process Industry :Chemical/Petro-chemical , Power stations , Mining , on-and offshore , environmental technology, machine , Building and General Plant construction

Special Features :

Excellent load-cycle stability and shock resistance

All stainless steel construction

To combine with SHUNJAY diaphragm seals

Scale ranges up to 0.....1600bar

Specifications :

Nominal size :

2.5"(63mm) , 4" (100mm), 6 "(150mm) ,
8"(200mm),10"(250mm) (lower mount only)

Accuracy :

+/-1.6% of full scales for 2.5"(63mm)

+/-1.0% of full scales for 4" (100mm) ,6"(150mm),8"(200mm),10"(250mm)

Range available (no stock) :

2.5"(63mm) : 0....1 to 0...1000bar

4" (100mm) :0...0.6 to 0...1000bar

or all other equivalent vacuum or combined pressure and vacuum ranges

Pressure limitation :

2.5"(63mm): Steady :3/4 xFull scale value

Fluctuating : 2/3xFull scale value

Short time : Full scale value

4"(100mm),6"(160mm) : Steady : Full scale

8"(200mm),10"(250mm) Fluctuating : 0.9 x full scale value

Short time : 1.3xfull scale value

Operating Temperature

Ambient: -4°F to 140°F (-20°C to +60°C)

Media: +200°C Maxim without liquid filling

+100 °C maximum with liquid filling (silicon oil)

Ingress Protection : IP 65 per EN60529/IEC60529

Service Fluid : compatible gases and liquids

Housing: stainless steel 304 case and bayonet ring .

Windows : Instrument Glass

Liquid filled : Glycerin (option silicon oil)

Bourdon Tube : Stainless steel 316L .



Movement : Stainless steel 304

Process Connection :

Stainless steel 316L

Thread : BSP , BSPT, NPT ,or metric thread.

Dials: aluminum

White background

Black or black and red lettering .

With customer logo is available .

Scale Unit : Bar or Bar+Psi

Optional extras

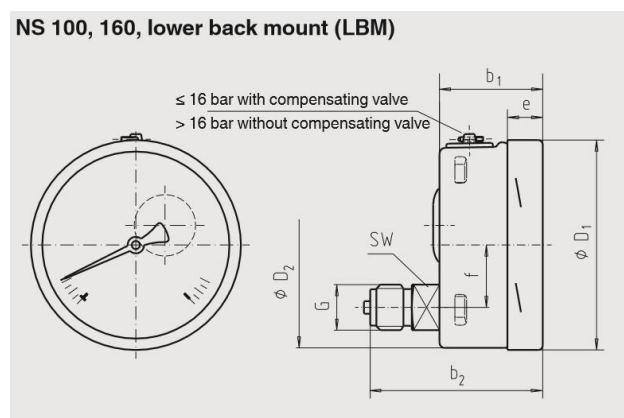
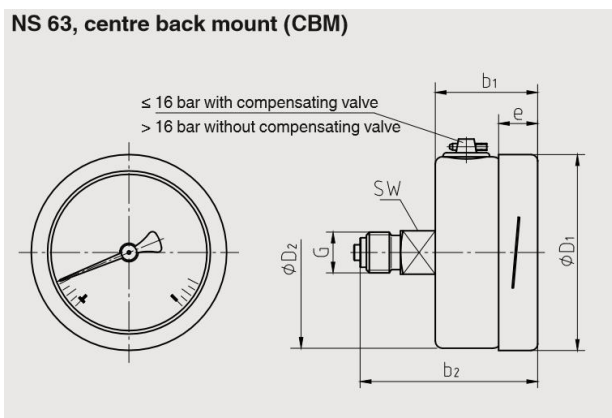
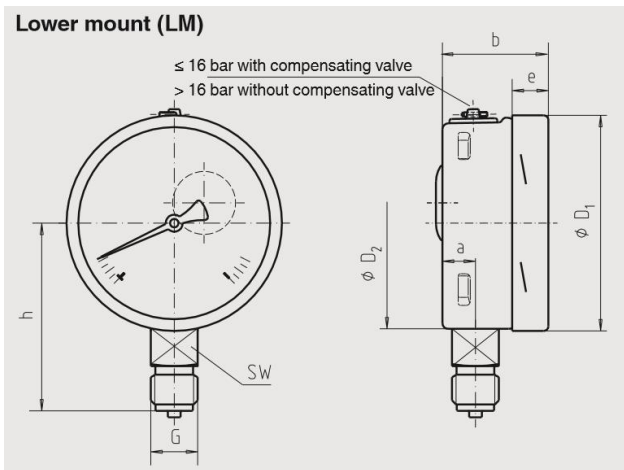
Scale unit can use KPa , MPa,Kgf/cm2, kg/cm2, torr, atm

Liquid inside can be changed to be silicon oil

Liquid can be filled by customer.

Fill cap can be changed to be with on-off type

Dimensions in mm :



Diameter	Dimensions in mm											WEIGHT(Kg)	
	a	b	b1	b2	D1	D2	e	f	G	h±1	SW	Dry	FILLED
2.5"(63mm)	11	33	33	59	63.8	62	7	-	1/4	53	14	0.18	0.23
4"(100mm)	15	49	49	88	100.6	99	12	22	1/2	85	22	0.55	0.80
6"(160mm)	16.5	50.5	50.5	85	160.6	159	18	48	1/2	116	22	0.94	1.77

Ordering Part #:

model -connection location-norminalsize -thread type-thread size-pressure range
(sample)

118A L 25 B 4 P 300

Pressure range with unit psi

P : Pressure gauge

V : Vacuum gauge

C : Compound gauge

(connection size)

8: 1/8"

4: 1/4"

3: 3/8"

2: 1/2"

(thread type)

B: BSP

Z: BSPT

N: NPT

S: Special Thread

(Nominal size)

25 : 2.5" (63mm)

40 : 4" (100mm)

60 : 6" (150mm)

L: lower connection

B: Back connection

R: Lower connection with back flange , wall mounting

V: Center back connection with front flange panel mounting

U: Center back connection with U-Clamp ,panel mounting

Model No.