



Technical Data

Vertical In-line Pump - EGM80-6513-01104

Revision no.

Page:
 1

Company name
 Respons. Department
 Person in charge
 Phone number
 Fax no
 E-mail address

Receiver

From



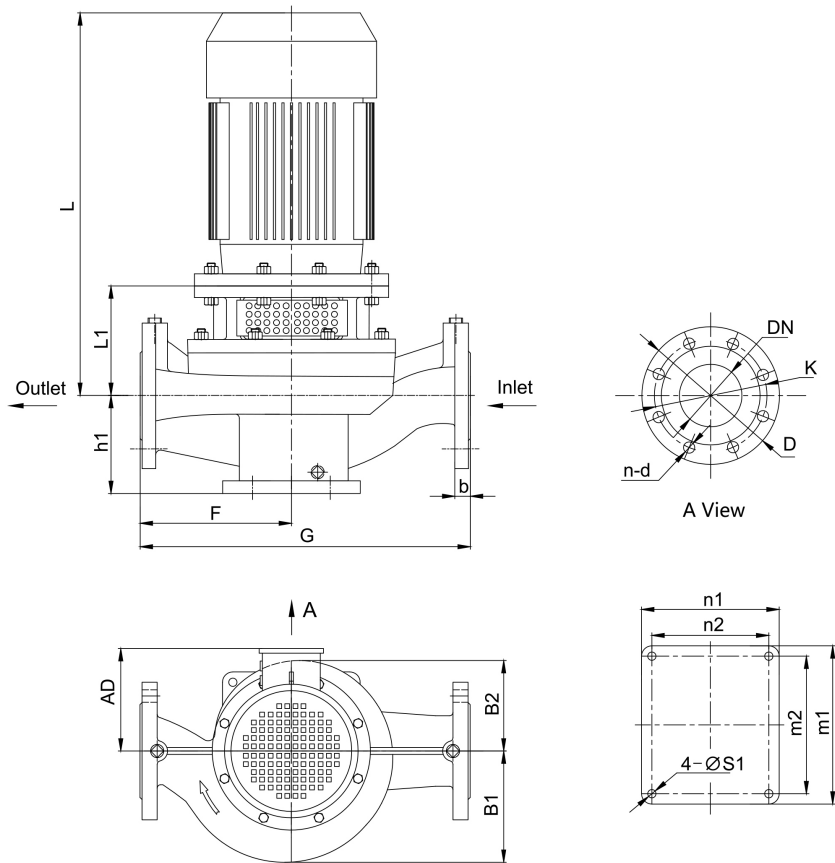
Brand: Gol Pumps
Model: EGM80-6513-01104
Flange: ANSI Class 125

Motor (V1)	
Model	HP
Y2-90S-4	1.5

Weight (lb)		
Pump	Motor	Pump & Motor
99	59.4	158.4

Inlet	Outlet
2.5"	2.5"

Dimensions:



Pump Installation Size (inch)															
h1	L1	F	G	L	AD	B1	B2	n2 x m2	n1 x m1	S1	DN	D	K	n - d	b
6.3	6	8.7	18.1	17.6	6.1	5.5	4.6	6.7x7.9	7.9x9.1	0.5	3.1	7.9	6.3	8 - ϕ 0.7	-

Project	Project ID	Created by	Created on	Last update
---------	------------	------------	------------	-------------



Performance Curves

Vertical In-line Pump - EGM80-6513-01104

Revision no. _____

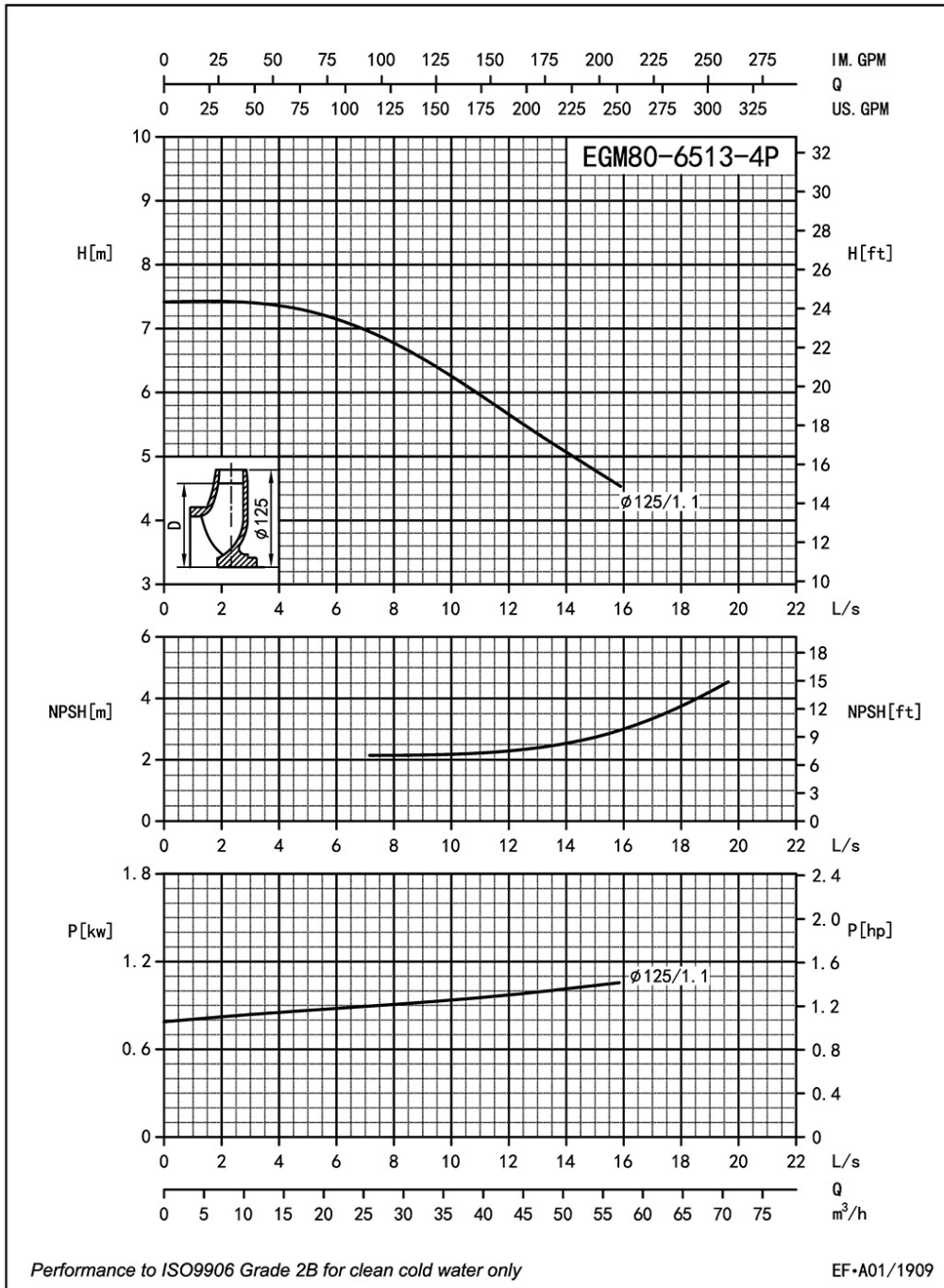
Page: 2

Receiver _____

From _____

Company name _____
 Respons. Department _____
 Person in charge _____
 Phone number _____
 Fax no _____
 E-mail address _____

Model	Capacity			Head		Speed r/min	Motor hp	Voltage v	Phase	Impeller Diam.		Eff. %	(NPSH)r ft
	m ³ /h	l/s	gpm	m	ft					mm	inch		
EGM80-6513-01104	27	7.5	118.9	6.8	22	1710	1.5	230/460	3	125	4.9	58	7.2
	45	12.5	198.1	5.5	18		1.5					74.5	8.9
	54	15	237.8	4.8	16		1.5					70	12.1



Project _____	Project ID _____	Created by _____	Created on _____	Last update _____
---------------	------------------	------------------	------------------	-------------------



Parts List

Vertical In-line Pump - EGM80-6513-01104

Revision no.

Page:
 3

	Receiver	From
Company name		
Respons. Department		
Person in charge		
Phone number		
Fax no		
E-mail address		

Parts List

1 Cassing	14 Screw
2 Impeller Nut	15 Screw Bolt
3 Flat Washer	16 Screw Nut
4 Spring Washer	17 Screw Bolt
5 Front-Wear Ring	18 1/4 Plug
6 Impeller	19 3/8 Plug
7 Seal Seat	20 Key
8 Mech Seal	21 Screw Nut
9 Casing Gasket	22 Motor
10 Casing Cover	23 Key
11 1/4 Plug	24 Screw
12 Adapter	25 Shaft
13 Guard	

Project	Project ID	Created by	Created on	Last update