

# WEG Automation Catalog

Motors

**Automation**

Energy

Transmission & Distribution

LV Variable Frequency  
Drives and Soft Starters



Register to keep  
your catalog  
up-to-date



Driving efficiency and sustainability



US300.07.2024

# GENERAL PURPOSE AND MACHINERY DRIVE PRODUCTS

## CFW100 – Variable Frequency Drives: 1/4 - 1 HP

Overview .....	14
Catalog Number Sequence .....	15
Product Selection and Pricing .....	16
Options and Accessories .....	16
Technical Data .....	17

## CFW300 – Variable Frequency Drives: 1/4 - 5 HP

Overview .....	18
Catalog Number Sequence .....	19
Product Selection and Pricing .....	20
Options and Accessories .....	20
Technical Data .....	22

## CFW320 – Variable Frequency Drives: 1/4 - 10HP

Overview .....	24
Catalog Number Sequence .....	25
Product Selection and Pricing .....	26
Options and Accessories .....	27
Technical Data .....	29
Dynamic Braking Resistors .....	31

## CFW500-G2 Variable Frequency Drives: 1/3 - 175HP

Overview .....	32
Catalog Number Sequence .....	33
Product Selection and Pricing – IP20 Drives .....	34
Product Selection and Pricing – IP66/N4X Washdown Drives .....	36
Options and Accessories .....	38
Technical Data .....	40
Dynamic Braking Resistors .....	42

## PERFORMANCE DRIVE PRODUCTS

### CFW11 – High Performance Industrial VFD: 1 1/2 - 1000 HP

Overview .....	46
Catalog Number Sequence .....	47
Drive Ratings .....	48
Product Selection and Pricing – NEMA1 Drives .....	49
Product Selection and Pricing – NEMA12/IP55 Drives .....	52
Options and Accessories .....	53
Technical Data .....	55
Dynamic Braking Resistors .....	56

### CFW900 – High Performance System VFD: 1 1/2 - 200 HP

Overview .....	58
Catalog Number Sequence .....	59
Drive Ratings .....	60
Controls Connectors .....	61
Product Selection and Pricing .....	62
Options and Accessories .....	64
Technical Data .....	65
Dynamic Braking Resistors .....	69

### CFW11M – Modular Industrial VFD: 450 - 2500 HP

Overview .....	72
Catalog Number Sequence .....	73
Product Selection .....	74
Dimensions .....	75

## HVAC-R DRIVE PRODUCTS

### CFW501 – HVAC-R Variable Frequency Drives: 1/3 - 25 HP

Overview .....	77
Catalog Number Sequence .....	78
Product Selection and Pricing .....	79
Options and Accessories .....	79
Technical Data .....	80

## SPECIAL PURPOSE PRODUCTS

### Pump Genius™

Overview .....	82
Operation .....	84
Product Selection and Pricing (Single Drive Pump System) .....	85
Overview (Multiplex Pump System Control) .....	87
Product Selection and Pricing (Multiplex Pump System Control) .....	88
Pump Genius™ HMI – View Only (For CFW11-PGM) .....	90
Pump Genius™ HMI with Integrated PLC .....	91

### Line & Load Reactors

Overview .....	92
Open Style .....	93
Enclosed Type – UL Type 3R .....	94

# SOLID STATE SOFT STARTER PRODUCTS

## SSW05 – LV Reduced Voltage Soft Starter: 10 - 85 Amps

Overview .....	96
Catalog Number Sequence .....	97
Product Selection and Pricing .....	98
Options and Accessories .....	98
Technical Data .....	99

## SSW07 – LV Reduced Voltage Soft Starter: 17 - 412 Amps

Overview .....	100
Catalog Number Sequence .....	101
Product Selection and Pricing .....	102
Options and Accessories .....	104
Technical Data .....	106

## SSW900 – LV Reduced Voltage Soft Starter: 10 - 1400 Amps

Overview .....	108
Catalog Number Sequence .....	109
Product Selection and Pricing .....	110
Options and Accessories .....	113
Dimensions.....	116
Technical Data .....	117

## SSW7000 – MV Reduced Voltage Soft Starter: 125 - 360 Amps

Overview .....	120
Catalog Number Sequence .....	121
Product Selection and Pricing .....	121
Options and Accessories .....	122
Dimensions.....	122
Special Features/Advantages .....	124
Technical Data .....	125

INDEX  
WARRANTY INFO  
CFW100  
CFW300  
CFW320  
CFW500 GZ  
CFW11  
CFW900  
CFW11M  
CFW501  
PUMP GENIUS  
REACTORS  
SSW05  
SSW07  
SSW900  
SSW7000  
EDP11  
GPH2  
APSS9  
MFM

## ENCLOSED DRIVE AND SOFT STARTER PRODUCTS

### EDP11 Engineered Drive Panels

Overview .....	126
Catalog Number Sequence .....	127
Product Selection and Pricing .....	128
Dimensions.....	136

### GP2 Enclosed Soft Starter Panels

Overview .....	138
Catalog Number Sequence .....	139
Product Selection and Pricing .....	140
Dimensions.....	144

### APS9 – All Purpose Soft Starter Panels

Overview .....	146
Catalog Number Sequence .....	147
Product Selection and Pricing .....	148
Accessories .....	148
Dimensions.....	149
Optional Accessories – Leg Kits .....	150

## DIGITAL SOLUTION PRODUCTS

### Motion Fleet Management

Overview .....	152
Product Selection and Pricing .....	154

## WEG DRIVES REPLACEMENT GUIDE

### CFW08-N1, CFW09, CFW10, CFW08 N4X/Wash Down, CFW700, CFW701 & SSW06 Replacement Guide

Choose model to replace old CFW08-N1, CFW09, CFW10, CFW08 N4X/Wash Down, CFW700, CFW701 or SSW06.....	156
---	-----

# WARRANTY POLICY FOR WEG AUTOMATION PRODUCTS

## Limited Warranty

WEG provides a limited warranty on our Variable Frequency Drives and Soft Starters, Power and Motor Control Products, and Custom and Standard enclosure solutions against defects in materials and workmanship for 12 months after installation, not to exceed 18 months from the invoice date, provided WEG is given notice of the defect within 60 days of failure, but in no event later than the expiration of the warranty period. The warranty shall not apply to Fuses and other components in which the useful life in normal use is shorter than the warranty period. If a product date code is within its stated warranty period, no proof of date of purchase is required. Otherwise, a copy of the invoice is necessary to show the date of the invoice. Purchases of WEG products from unauthorized dealers or distributors void warranty coverage. WEG's authorized dealers and distributors are listed on our website at [www.weg.net](http://www.weg.net).

## No-Fault Warranty Procedure

WEG LV Variable Speed Drives product families' CFWs, Soft Starters product families' SSWs, and Power and Motor Control Products (listed in chart, below) are covered under a "No-Fault" warranty procedure. This permits each covered product to be returned and replaced once if the customer believes it has a defect. You will need to submit the following within 60 days of failure to the WEG Automation Service Department to process a "No-Fault" warranty claim:

- Picture of the label with serial number information from the failed product
- Copy of the original WEG invoice or invoice number for the failed product
- Brief description of the failure for quality control purposes

## LV Variable Speed Drives and Soft Starters

Product	Product Reference	Size / Frame	Rated Current	Power Voltage	Protection degree	
Variable Speed Drives	CFW08		All			
	CFW100 G2		All			
	CFW100		All			
	CFW300		All			
	CFW320		All			
	CFW500 G1		A/B/C/D		200-240V	
			A/B/C		380-480V	
			D		380-480V	
			C		500-600V	
	CFW500 G2		A/B/C/D		200-240V	
			A/B/C/D		380-480V	
			C		500-600V	
				<=24A	200-240V	IP66
				<=16A	380-480V	IP66
			A		200-240V	IP66
			A		380-480V	IP66
	CFW501		A/B/C/D		200-240V	
			A/B/C		380-480V	
	CFW11			<=16A	200-240V	
				<=13A	380-480V	
			<=10	200-240V	IP55	
			<=5A	380-480V	IP55	
CFW900		A		200-480V		
Soft Starters	SSW05		All			
	SSW07		<=85A	220-575V		
			<=130A	220-575V		
	SSW06		<=85A	575-690V		
			<=61A	220-575V		

## Power and Motor Control Products

Product	Product Reference	Covered Products
Circuit Breakers and Disconnects	DWB, UBW, UMBW, MSW, MSWB	Limited to \$100 value
Contactors, Motor Protectors, Relays	MPW, CWC, CWB, CWBN, CWBS, CWM, RW, RTW, RPW, RNW, SSW01	
Starters	ESW, PESW	
	ESWC, ESWE, ESWF, ESWX	
Operator Devices and Terminal Blocks	CSW, BTW	
Capacitors	UCWT, BCW	

# WARRANTY POLICY FOR WEG AUTOMATION PRODUCTS

## Optimal Match Warranty

WEG Optimal Match Warranty is a 36-month warranty when a WEG motor is applied with a WEG drive or soft starter. To qualify for this warranty, the products must be registered at <https://wegconnect.net/warranty-request/> and pre-approved by WEG's warranty department. This offer is only available in the US. The following products and combinations are eligible for the Optimal Match Warranty:

- Drives and motors that are eligible for this Optimal Match Warranty are W22 motors coupled with all "CFW" drives up to 720-ND
- Soft starters and motors that are eligible for this Optimal Match Warranty are W22 motors coupled with all "SSW" soft starters up to 820A
- Medium voltage soft starters and motors that qualify for this Optimal Match Warranty are stock W22MV, W50MV, and W60MV motors coupled with SSW7000 stock soft starters.

When the drive or soft starter is invoiced on the same date as the motor, the Optimal Match Warranty will be eligible on the invoice date if the Optimal Match Warranty request is received within 180 days of purchase. When the drive or soft starter is invoiced on a different date than the motor, the following conditions apply to the Optimal Match Warranty eligibility:

- The Optimal Match Warranty will start on the first invoice date (Drive, Soft Starter, or Motor).
- The Optimal Match Warranty request must be received within 180 days from the date of the later product purchase.
- The invoice dates of both products cannot be more than 90 days apart.

## Extended Warranty

WEG may, with prior written approval, provide an extended warranty to cover products beyond the standard warranty period:

- **Extended Warranty purchased with original product**
  - Available for a cost of 2.5% of the purchase price per year of coverage, up to a maximum coverage of 4 additional years. This coverage must be purchased at the time of the product purchase.
- **Extended Warranty purchased after the purchase of the original product**
  - Available for a cost of 2.5% of the purchase price per year of coverage, up to a maximum coverage of 4 additional years. A WEG service engineer must thoroughly inspect the equipment and bring the equipment up to expected standards of maintenance before the extended warranty starts. If, during the inspection, the service engineer determines that the equipment has been abused, mishandled, or misapplied, WEG may decline to extend the warranty as requested. Under such circumstances, the customer is still responsible for the service charges incurred for the inspection and maintenance.
- **Extended Warranty purchased with a certified Start-up**
  - Available for 18 additional months with the certified startup of low voltage variable speed drives and soft starters managed by the WEG Automation Service Department.



## Warranty Service

If a WEG product requires warranty service due to defective materials or workmanship, WEG shall repair or replace the product. Credit is not offered. Warranty service does not extend the warranty period. Warranty coverage is applied to products that have been, at all times, properly stored, maintained, operated, and used under operating conditions for which the product was designed. WEG is not responsible for any expenses incurred in installation, removal from service, transportation (freight), or consequential expenses. THE FOREGOING REMEDIES SHALL BE THE SOLE AND EXCLUSIVE REMEDY OF THE PURCHASER.

## Authorized Service Centers

WEG has service centers around the world to meet the needs of our customers. Information regarding the nearest service center can be found on our web site at <https://www.weg.net/institutional/US/en/contact/service-network> or by calling 1-800-ASK-4WEG (1-800-275-4934). Any warranty repair by a service center must be pre-approved by WEG. Service centers should not make repairs without being requested by a WEG Automation Service Department representative.

## Disclaimer of Implied Warranties

**THE FOREGOING WARRANTIES ARE EXCLUSIVE, AND IN LIEU OF ALL OTHER WARRANTIES OF EVERY KIND, WHETHER WRITTEN, ORAL, OR IMPLIED. WEG EXPRESSLY DISCLAIMS ANY IMPLIED WARRANTIES OF MERCHANTABILITY, FITNESS FOR A PARTICULAR PURPOSE, AGAINST INFRINGEMENT, OR ARISING FROM COURSE OF DEALING OR USAGE OF TRADE.**

## Limitation of Liability

**IN NO EVENT SHALL WEG BE LIABLE FOR ANY LOST PROFITS, LOST REVENUE, LOST BUSINESS OPPORTUNITIES, OR LOST USE OR PRODUCTION OR PRODUCTIVITY, WHETHER CHARACTERIZED AS DIRECT OR CONSEQUENTIAL, INDIRECT, SPECIAL, INCIDENTAL, OR OTHERWISE. WEG SHALL NOT BE LIABLE FOR ANY OTHER CONSEQUENTIAL, INDIRECT, SPECIAL, INCIDENTAL OR PUNITIVE DAMAGES, WHETHER SIMILAR TO OR DISSIMILAR TO THE DAMAGES REFERENCED ABOVE, WHETHER SUCH LIABILITY IS BASED OR CLAIMED TO BE BASED UPON ANY NEGLIGENCE OR OTHER ACT OR OMISSION, BREACH OF CONTRACT, BREACH OF DUTY (STATUTORY OR OTHERWISE) OR DEFAULT WHATSOEVER, AND WHETHER OR NOT SUCH DAMAGES ARE FORESEEABLE, AND WHETHER OR NOT THE PARTY HAS BEEN ADVISED OF THE POSSIBILITY OF SUCH DAMAGES. NOTWITHSTANDING ANY PROVISION TO THE CONTRARY, WEG'S TOTAL LIABILITY FOR ALL CLAIMS OF ANY KIND, WHETHER BASED UPON CONTRACT, TORT (EXCEPT GROSS NEGLIGENCE OR INTENTIONALLY WRONGFUL ACTS), OR OTHERWISE, FOR ANY LOSS OR DAMAGE ARISING OUT OF, CONNECTED WITH, OR RESULTING FROM THE PERFORMANCE OR USE OF A PRODUCT SHALL IN NO EVENT EXCEED 100% OF THE PURCHASE PRICE ALLOCABLE TO THE PRODUCT WHICH GIVES RISE TO THE CLAIM.**

WEG USA General Terms and Conditions available at [www.weg.net](http://www.weg.net) apply to all orders.

Contact WEG Automation Service Department:

Toll-Free: 1-877-934-3748 E-Mail: [automationtech@weg.net](mailto:automationtech@weg.net)







INDEX

WARRANTY  
INFO

CFW100

CFW300

CFW320

CFW500  
G2

CFW11

CFW900

CFW11M

CFW501

PUMP  
GENIUS

REACTORS

SSW05

SSW07

SSW900

SSW7000

EDP11

GPH2

APPS9

MEM

**NOTES:**

---

---

---

---

---

---

---

---

---

---

---

---

---

---

---

---

---

---

---

---

---

---

---

---

---

---

---

---

---

---



- INDEX
- WARRANTY INFO
- CFW100
- CFW300
- CFW320
- CFW500 G2
- CFW11
- CFW900
- CFW11M
- CFW501
- PUMP GENIUS
- REACTORS
- SSW05
- SSW07
- SSW900
- SSW7000
- EDP11
- GPH2
- APSS9
- MFM

**NOTES:**

---



---



---



---



---



---



---



---



---



---



---



---



---



---



---



---



---



---



---



---



---



---



---



---



---



---



---



INDEX  
 WARRANTY INFO  
 CFW100  
 CFW300  
 CFW320  
 CFW500 G2  
 CFW11  
 CFW900  
 CFW11M  
 CFW501  
 PUMP GENIUS  
 REACTORS  
 SSW05  
 SSW07  
 SSW900  
 SSW7000  
 EDP11  
 GPH2  
 APSS9  
 MFM

**NOTES:**

---

---

---

---

---

---

---

---

---

---

---

---

---

---

---

---

---

---

---

---

---

---

---

---

---

---

---

---

---

---



HP	RPM	Frame	Voltage	Soft Starter Enclosure Rating: IP00 / IP20		Variable Frequency Drive Enclosure Rating: IP20	
				Motor Wired for 230V	Motor Wired for 460V	Motor Wired for 230V	Motor Wired for 460V
0.25	3600	56	208-230/460			CFW100A01P6S220G2	CFW500A01P0T4NB20G2
	1800	56	208-230/460			CFW100A01P6S220G2	CFW500A01P0T4NB20G2
0.33	3600	56	208-230/460			CFW100A01P6S220G2	CFW500A01P0T4NB20G2
	1800	56	208-230/460			CFW100A01P6S220G2	CFW500A01P0T4NB20G2
0.5	3600	56	208-230/460			CFW100B02P6S220G2	CFW500A01P6T4NB20G2
	1800	56	208-230/460			CFW100B02P6S220G2	CFW500A01P6T4NB20G2
	1200	56	208-230/460			CFW100B02P6S220G2	CFW500A01P6T4NB20G2
0.75	3600	56	208-230/460			CFW100C04P2S220G2	CFW500A01P6T4NB20G2
	1800	56	208-230/460			CFW100C04P2S220G2	CFW500A01P6T4NB20G2
	1200	56	208-230/460			CFW100C04P2S220G2	CFW500A01P6T4NB20G2
1	3600	56	208-230/460			CFW100C04P2S220G2	CFW500A02P6T4NB20G2
	1800	56	208-230/460			CFW100C04P2S220G2	CFW500A02P6T4NB20G2
	1800	143T	208-230/460			CFW100C04P2S220G2	CFW500A02P6T4NB20G2
	1200	56	208-230/460			CFW100C04P2S220G2	CFW500A02P6T4NB20G2
	1200	145T	208-230/460			CFW100C04P2S220G2	CFW500A02P6T4NB20G2
1.5	3600	143T	208-230/460	SSW050010T2246TPZ		CFW300A06P0T2NB20	CFW500A04P3T4NB20G2
	1800	56	208-230/460	SSW050010T2246TPZ		CFW300A06P0T2NB20	CFW500A04P3T4NB20G2
	1800	145T	208-230/460	SSW050010T2246TPZ		CFW300A06P0T2NB20	CFW500A04P3T4NB20G2
	1200	182T	208-230/460	SSW050010T2246TPZ		CFW300A06P0T2NB20	CFW500A04P3T4NB20G2
2	3600	145T	208-230/460	SSW050010T2246TPZ	SSW050010T2246TPZ	CFW300A07P3T2NB20	CFW500A04P3T4NB20G2
	1800	56	208-230/460	SSW050010T2246TPZ	SSW050010T2246TPZ	CFW300A07P3T2NB20	CFW500A04P3T4NB20G2
	1800	145T	208-230/460	SSW050010T2246TPZ	SSW050010T2246TPZ	CFW300A07P3T2NB20	CFW500A04P3T4NB20G2
	1200	184T	208-230/460	SSW050010T2246TPZ	SSW050010T2246TPZ	CFW300A07P3T2NB20	CFW500A04P3T4NB20G2
3	3600	182T	208-230/460	SSW050010T2246TPZ	SSW050010T2246TPZ	CFW500B10P0B2DB20G2	CFW500B06P5T4DB20G2
	1800	182T	208-230/460	SSW050010T2246TPZ	SSW050010T2246TPZ	CFW500B10P0B2DB20G2	CFW500B06P5T4DB20G2
	1200	213T	208-230/460	SSW050010T2246TPZ	SSW050010T2246TPZ	CFW500B10P0B2DB20G2	CFW500B06P5T4DB20G2
5	3600	184T	208-230/460	SSW050016T2246TPZ	SSW050010T2246TPZ	CFW500B16P0T2DB20G2	CFW500B10P0T4DB20G2
	1800	184T	208-230/460	SSW050016T2246TPZ	SSW050010T2246TPZ	CFW500B16P0T2DB20G2	CFW500B10P0T4DB20G2
	1200	215T	208-230/460	SSW050016T2246TPZ	SSW050010T2246TPZ	CFW500B16P0T2DB20G2	CFW500B10P0T4DB20G2
7.5	3600	213T	208-230/460	SSW050023T2246TPZ	SSW050016T2246TPZ	CFW500C24P0T2DB20G2	CFW500C14P0T4DB20G2
	1800	213T	208-230/460	SSW050023T2246TPZ	SSW050016T2246TPZ	CFW500C24P0T2DB20G2	CFW500C14P0T4DB20G2
	1200	254T	208-230/460	SSW050023T2246TPZ	SSW050016T2246TPZ	CFW500C24P0T2DB20G2	CFW500C14P0T4DB20G2
10	3600	215T	208-230/460	SSW050030T2246TPZ	SSW050016T2246TPZ	CFW500D28P0T2DB20G2	CFW500C16P0T4DB20G2
	1800	215T	208-230/460	SSW050030T2246TPZ	SSW050016T2246TPZ	CFW500D28P0T2DB20G2	CFW500C16P0T4DB20G2
	1200	256T	208-230/460	SSW050030T2246TPZ	SSW050016T2246TPZ	CFW500D28P0T2DB20G2	CFW500C16P0T4DB20G2
15	3600	254T	208-230/460	SSW050045T2246TPZ	SSW050023T2246TPZ	CFW500D47P0T2DB20G2	CFW500D24P0T4DB20G2
	1800	254T	208-230/460	SSW050045T2246TPZ	SSW050023T2246TPZ	CFW500D47P0T2DB20G2	CFW500D24P0T4DB20G2
	1200	284T	208-230/460	SSW050045T2246TPZ	SSW050023T2246TPZ	CFW500D47P0T2DB20G2	CFW500D24P0T4DB20G2
20	3600	256T	208-230/460	SSW050060T2246TPZ	SSW050030T2246TPZ	CFW500E56P0T2DB20G2	CFW500D31P0T4DB20G2
	1800	256T	208-230/460	SSW050060T2246TPZ	SSW050030T2246TPZ	CFW500E56P0T2DB20G2	CFW500D31P0T4DB20G2
	1200	286T	208-230/460	SSW050060T2246TPZ	SSW050030T2246TPZ	CFW500E56P0T2DB20G2	CFW500D31P0T4DB20G2



HP	RPM	Frame	Voltage	Soft Starter Enclosure Rating: IP00 / IP20		Variable Frequency Drive Enclosure Rating: IP20	
				Motor Wired for 230V	Motor Wired for 460V	Motor Wired for 230V	Motor Wired for 460V
25	3600	284TS	208-230/460	SSW050085T2246TPZ	SSW050045T2246TPZ	CFW500F77P0T2DB20G2	CFW500E39P0T4DB20G2
	1800	284T	208-230/460	SSW050085T2246TPZ	SSW050045T2246TPZ	CFW500F77P0T2DB20G2	CFW500E39P0T4DB20G2
	1200	324T	208-230/460	SSW050085T2246TPZ	SSW050045T2246TPZ	CFW500F77P0T2DB20G2	CFW500E39P0T4DB20G2
30	3600	286TS	208-230/460	SSW050085T2246TPZ	SSW050045T2246TPZ	CFW500F88P0T2DB20G2	CFW500E49P0T4DB20G2
	1800	286T	208-230/460	SSW050085T2246TPZ	SSW050045T2246TPZ	CFW500F88P0T2DB20G2	CFW500E49P0T4DB20G2
	1200	326T	208-230/460	SSW050085T2246TPZ	SSW050045T2246TPZ	CFW500F88P0T2DB20G2	CFW500E49P0T4DB20G2
40	3600	324TS	208-230/460	SSW070130T5SZ	SSW050060T2246TPZ	CFW500F0105T2DB20G2	CFW500E49P0T4DB20G2 <sup>1</sup>
	1800	324T	208-230/460	SSW070130T5SZ	SSW050060T2246TPZ	CFW500F0105T2DB20G2	CFW500E49P0T4DB20G2 <sup>1</sup>
	1200	364T	208-230/460	SSW070130T5SZ	SSW050060T2246TPZ	CFW500F0105T2DB20G2	CFW500E49P0T4DB20G2 <sup>1</sup>
50	3600	326TS	208-230/460	SSW070130T5SZ	SSW050085T2246TPZ	CFW500G0145T2NB20G2	CFW500F77P0T4DB20G2
	1800	326T	208-230/460	SSW070130T5SZ	SSW050085T2246TPZ	CFW500G0145T2NB20G2	CFW500F77P0T4DB20G2
	1200	365T	208-230/460	SSW070130T5SZ	SSW050085T2246TPZ	CFW500G0145T2NB20G2	CFW500F77P0T4DB20G2
60	3600	364TS	208-230/460	SSW070171T5SZ	SSW050085T2246TPZ	CFW500G0180T2NB20G2	CFW500F88P0T4DB20G2
	1800	364T	208-230/460	SSW070171T5SZ	SSW050085T2246TPZ	CFW500G0180T2NB20G2	CFW500F88P0T4DB20G2
	1200	404T	208-230/460	SSW070171T5SZ	SSW050085T2246TPZ	CFW500G0180T2NB20G2	CFW500F88P0T4DB20G2
75	3600	365TS	208-230/460	SSW070200T5SZ	SSW070130T5SZ	CFW500G0211T2NB20G2	CFW500F0105T4DB20G2
	1800	365T	208-230/460	SSW070200T5SZ	SSW070130T5SZ	CFW500G0211T2NB20G2	CFW500F0105T4DB20G2
	1200	405T	208-230/460	SSW070200T5SZ	SSW070130T5SZ	CFW500G0211T2NB20G2	CFW500F0105T4DB20G2
100	3600	405TS	208-230/460	SSW070255T5SH1Z	SSW070130T5SZ		CFW500G0142T4NB20G2
	1800	405T	208-230/460	SSW070255T5SH1Z	SSW070130T5SZ		CFW500G0142T4NB20G2
	1200	444T	208-230/460	SSW070255T5SH1Z	SSW070130T5SZ		CFW500G0142T4NB20G2
125	3600	444TS	460	SSW070312T5SH1Z	SSW070171T5SZ		CFW500G0180T4NB20G2
	1800	444T	460	SSW070312T5SH1Z	SSW070171T5SZ		CFW500G0180T4NB20G2
	1200	445T	460	SSW070312T5SH1Z	SSW070171T5SZ		CFW500G0180T4NB20G2
150	3600	445TS	460	SSW070365T5SH1Z	SSW070200T5SZ		CFW500G0211T4NB20G2
	1800	445T	460	SSW070365T5SH1Z	SSW070200T5SZ		CFW500G0211T4NB20G2
	1200	447T	460	SSW070365T5SH1Z	SSW070200T5SZ		CFW500G0211T4NB20G2
200	3600	447TS	460		SSW070255T5SH1Z		CFW110242T4SZ
	1800	447T	460		SSW070255T5SH1Z		CFW110242T4SZ
	1200	447T	460		SSW070255T5SH1Z		CFW110242T4SZ
250	3600	447TS	460		SSW070312T5SH1Z		CFW110312T4SZ
	1800	447T	460		SSW070312T5SH1Z		CFW110312T4SZ
	1200	449T	460		SSW070312T5SH1Z		CFW110312T4SZ
300	3600	449TS	460		SSW070365T5SH1Z		CFW110370T4SZ
	1800	449T	460		SSW070365T5SH1Z		CFW110370T4SZ
	1200	449T	460		SSW070365T5SH1Z		CFW110370T4SZ

**NOTES:**

1) CFW500 drives must have FM V3.70 or higher. Max. ambient temperature 40°C.

## CFW100-G2 (GENERATION-2)

Technology is at your fingertips with the incredible smallest volume VFD in the market. The CFW100 is a single-phase variable speed drive developed for simple applications ranging from 0.25 to 1 HP. (0.18 kW to 0.75 kW)

A strong partner for OEMs, it gives induction motors a selectable scalar (V/F) or voltage vector control (VVW), HMI and plug and play philosophy, with easy and fast installation and operation.

### Standard Features

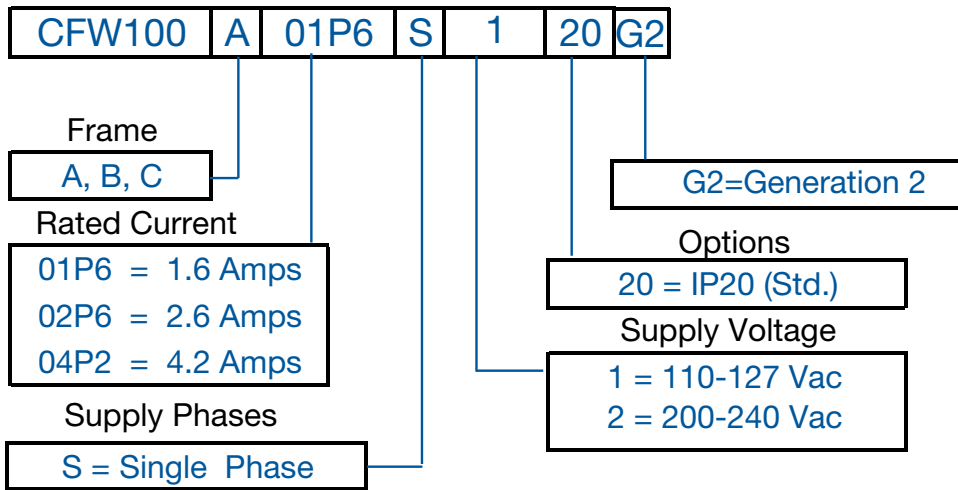
- Robust – Overload current: 150% for 60 seconds  
Ambient temperature: up to 50 °C
- SoftPLC – PLC functions: making it a flexible and optimized solution
- PID Controller – Performance: changes in pressure, flow or other external data
- Communication Protocol – Modbus-RTU and CANopen using plug-in modules
- Conformal Coating as Standard – Increasing the lifetime, protecting the electronic boards against corrosive atmospheres. Classified as 3C2 according to IEC 60721-3-3



### Applications

- Food and Beverage
- Small handling
- Air circulation
- Medical and health sector
- Machines with single-phase power source
- New markets (solar, etc.)
- Packaging Lines
- Sorting Conveyors

### CFW100 Catalog Number Sequence



*Table intended as reference and not to create part numbers.*

# Variable Frequency Drives



## CFW100-G2

### CFW100 – G2 GENERATION 2 (IP20 Finger Safe Enclosure)

Motor Voltage	Motor HP <sup>1</sup>	Drive Amps <sup>2</sup>	Catalog Number	Frame Size	Dimensions (in.) HxWxD	Approx. Weight (lbs.)	List Price	Multiplier New (Old)
230 Vac Three Phase	<b>Input Power Supply: Single-Phase 120 Vac</b>							
	1/4 - 1/3	1.6	<b>CFW100A01P6S120G2</b>	A	4.0 x 2.2 x 5.1	1.1	<b>\$307</b>	V1U (V1)
	3/4	2.6	<b>CFW100B02P6S120G2</b>	B	4.6 x 2.2 x 5.1	1.3	<b>\$335</b>	V1U (V1)
	<b>Input Power Supply: Single-Phase 240 Vac</b>							
	1/4 - 1/3	1.6	<b>CFW100A01P6S220G2</b>	A	4.0 x 2.2 x 5.1	1.1	<b>\$275</b>	V1U (V1)
	3/4	2.6	<b>CFW100B02P6S220G2</b>	B	4.6 x 2.2 x 5.1	1.3	<b>\$296</b>	V1U (V1)
	1	4.2	<b>CFW100C04P2S220G2</b>	C	5.0 x 2.2 x 5.1	1.4	<b>\$315</b>	V1U (V1)

1) "HP" rating based on "average FLA values". Use as a guide only.

2) Motor FLA may vary with speed and manufacturer. ALWAYS compare motor FLA to Nominal AMPS of drive. For other technical data please refer to WEG product manual.

## Options and Accessories

Type	Catalog Number	Description	Approx. Weight (lbs.)	List Price	Multiplier New (Old)
<b>CFW Accessories</b>					
I/O	<b>CFW100-IOAR</b>	CFW100 I/O Expansion Module – 1 AI, 1 DO	0.2	<b>\$81</b>	V1U (V1)
I/O	<b>CFW100-IOA</b>	CFW100 I/O Expansion Module – 1 AI, 1 AO	0.2	<b>\$99</b>	V1U (V1)
I/O	<b>CFW100-IOD</b>	CFW100 I/O Exp. Module – 4 DI, PNP or NPN	0.2	<b>\$82</b>	V1U (V1)
I/O	<b>CFW100-IODR</b>	CFW100 I/O Exp. and Encoder Module – 3DI, 3DOR	0.2	<b>\$220</b>	V1U (V1)
I/O	<b>CFW100-IOP</b>	CFW100 Potentiometer Module <sup>4</sup>	0.2	<b>\$90</b>	V1U (V1)
InfraRed	<b>CFW100-IOADR</b>	I/O Exp. and InfraRed Comm. Module 1 - 1AI, 3DOR <sup>1</sup>	0.4	<b>\$207</b>	V1U (V1)
USB Card	<b>CFW100-CUSB</b>	CFW100 USB Communication Module <sup>2</sup>	0.2	<b>\$87</b>	V1U (V1)
RS485 Card	<b>CFW100-CRS485</b>	CFW100 RS-485 Communication Module	0.2	<b>\$82</b>	V1U (V1)
CANopen Card	<b>CFW100-CCAN</b>	CFW100 CANopen and DeviceNet Comm. Module	0.2	<b>\$195</b>	V1U (V1)
Flash Memory Module	<b>MMF-uDrives</b>	CFW100/300 Flash Memory Module	0.4	<b>\$218</b>	GA (V1)
Remote Keypad Kit	<b>CFW100-KHMIR</b>	CFW100 Remote Keypad Kit <sup>3</sup>	0.4	<b>\$256</b>	V1U (V1)
RFI Filter Kit	<b>CFW100-KFABC-S1</b> <sup>5</sup>	RFI Filter Kit – 110 V	0.7	<b>\$126</b>	V1U (V1)
	<b>CFW100-KFABC-S2</b> <sup>5</sup>	RFI Filter Kit – 220 V	0.7	<b>\$90</b>	V1U (V1)

1) CFW100-IOADR includes InfraRed receiver with 1.5 meter cable and InfraRed remote control

2) CFW100-USB Communication Module includes 2-meter Mini-USB cable

3) CFW100-KHMIR Remote Keypad Kit includes Remote Keypad: CFW100-CRS485 module; 3-meter Mini-USB cable

4) CFW100-IOP works only with CFW100 G2 drives.

5) Not UL listed.

CFW100 Option Module	Option Module I/O Table								
	DI <sup>1</sup>	AI	AO	DOR	Encoder	Infrared	USB	RS485	CANopen
CFW100-IOAR		1		1					
CFW100-IOA		1	1						
CFW100-IOD	4								
CFW100-IODR	3			3	1				
CFW100-IOADR		1		3		1			
CFW100-IOP		1 (POT)							
CFW100-CUSB							1		
CFW100-CRS485								1	
CFW100-CCAN									1

1) CFW100 Drive includes 4DI as standard. Option Modules provide supplemental I/O as shown in this table.



### Technical Data

<b>Power Supply</b>	Voltage	Single Phase	200-240 Vac (+10%, -15%) 110-127 Vac (+10%, -15%)
	Frequency	50 / 60Hz +/- 2Hz	
	Displacement Power Factor (Cos)	Greater than 0.97	
<b>Enclosure</b>	Degree of Protection	IP20	
<b>Control</b>	Control Mode	V/Hz (Scalar)	
		Voltage Vector VVW	
	Power Output	IGBT Transistors	
		Sinusoidal PWM (Space Vector Modulation)	
	Switching Frequency	2.5, 5, 10 or 15kHz (5kHz Default)	
	Frequency Range	0-300 Hz, 0.1 Hz resolution	
	Overload Capacity	150% for 60 seconds, repeatable every 6 min.	
<b>Control Inputs and Outputs</b>	4 programmable 24Vdc isolated digital inputs (other I/O configurations with option cards)		
<b>Safety</b>	Protections	Output phase-to-phase short circuit	DC link over voltage
		Output phase-to-ground short circuit	DC link under voltage
		IGBT peak over current	Drive over temperature
		Programming error	External fault
	Motor Overload		
Standards	UL 508C; UL 840; EN 61800-5-1; EN 50178; EN 60204-1; EN 60146 (IEC 146); EN 61800-2		
<b>Ambient</b>	Temperature	32°F (0°C), up to 122°F (50°C) without output current derating	
	Humidity	5-95% Non Condensing	
	Altitude	0-3300 ft (1000m); Up to 13,200 ft (4000m) with 1% derating of rated output current per 330ft (100m) above 3300 ft (1000m) elevation	
<b>Regulatory Conformance</b>	EMC Directive 89 / 336 / EEC	Electromagnetic compatibility, Industrial Environment EMC Emission and Immunity	
	ENC61800-3 for the FA version – optional		
	LVD 73/23/EEC	Low Voltage Directive	
	UL 508C; UL 50, UL840	Power Conversion Equipment	
<b>Special Functions</b>	Linear and “S” ramp accel and decel, local/remote control, FWD/REV selection, DC braking, manual and auto torque boost, motor slip compensation, electronic pot, two skip frequencies, maximum and minimum adjustable frequency limits, adjustable output current limit, 8 present speeds and JOG, PID Controller		
<b>Keypad with HMI</b>	3 digit LCD display and 4 keys		
	Readouts for: output frequency (Hz), output current (A), output voltage (V), value proportional to frequency (Ex: RPM), heatsink temperature, fault and status messages.		
<b>Mounting</b>	DIN Rail mounting		
<b>Communications</b>	Modbus-RTU	CFW100-CRS485 Optional Plug-in Module	
	CANopen/Devicenet	CFW100-CCAN Optional Plug-in Module	
<b>Connectivity</b>	USB	CFW100-CUSB Optional Plug-in Module	

## CFW300

The CFW300 variable frequency drive is a high-performance VFD for three-phase induction motors. It is ideal for applications on machines or equipment that require precise control with easy setup and operation.

The CFW300 features a compact size with contactor-style electrical connections (top in / bottom out). The VFD's performance can be scaled to match the application by selecting WEG vector control (VWV) or scalar control (V/F). The CFW300 includes built-in operator interface (HMI) and SoftPLC with free WPS programming software for custom tailored control schemes. A variety of plug-in option modules for additional I/O and communications protocols may be added to provide extended capabilities, making the CFW300 a flexible and cost effective solution for your variable speed requirements.



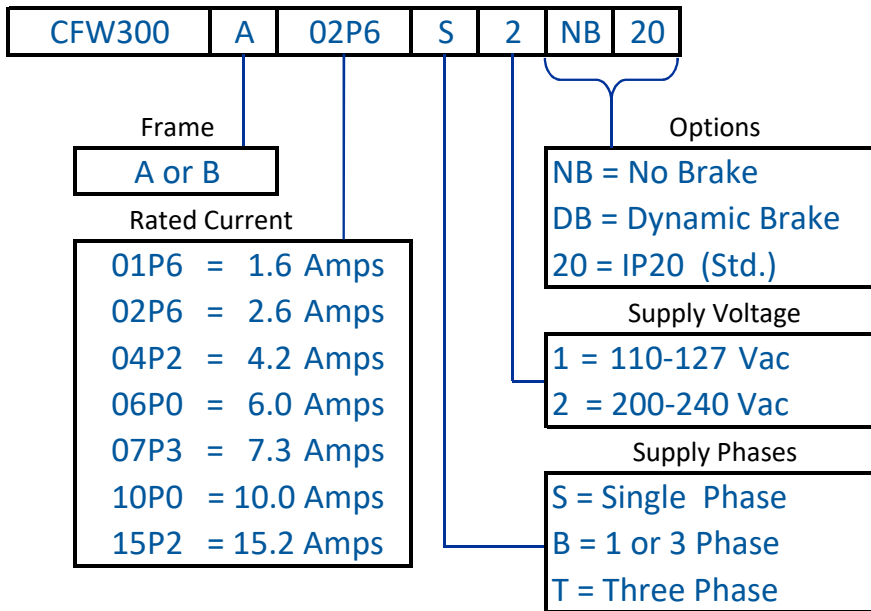
### Standard Features

- Single and three-phase voltage supply
- Din rail or surface mounting with screws
- Voltage range: 110-127 Vac and 200-240 Vac for single-phase models
- 200-240 Vac for three-phase models
- Current / Power range: up to 15.2 Amps / 3.7 kW (5 HP)
- Control mode: Scalar (V/Hz) or Voltage Vector (VWV)
- Switching frequency: 2.5, 5, 10 or 15kHz
- Overload capacity: 150% for 60 sec. every 10min, 200% for 3 sec. every 10min.
- Degree of protection: IP20
- Operating temperature: 14°F - 122°F (50°C); up to 140°F (60°C) with current derating (2% per 1°C above 50°C)
- Altitude: 0 - 3300 ft. (1000m); up to 13,200 ft. (4000m) with current derating (1% per 100m above 1000m)
- Humidity: 5 to 95% non-condensing
- Integrated brake chopper for frame size B (not available for size A)
- Local keypad supplied as standard

### Applications

- Centrifugal pumps
- Fans / Blowers
- Blenders / Mixers
- Centrifuges
- Compressors
- Conveyors
- Roller Tables
- Granulators
- Commercial Dryers
- Rotary Filters

### CFW300 Catalog Number Sequence



# Variable Frequency Drives



## CFW300

### IP20 Enclosure

Motor Voltage	Motor HP <sup>1</sup>	Drive Output Amps <sup>2</sup>	Catalog Number	Braking Transistor	Frame Size	Dimensions (in.) HxWxD	Approx. Weight Lbs. (kg)	List Price	Multiplier New (Old)	
230 Vac / 3 Phase	<b>Input Power Supply: Single-Phase 110-127 Vac</b>									
	1/4 or 1/3	1.6	CFW300A01P6S1NB20	No	A	6.3 x 2.8 x 5.9	2.0 (0.9)	\$361	V1M (V1)	
	3/4	2.6	CFW300A02P6S1NB20	No	A	6.3 x 2.8 x 5.9	2.0 (0.9)	\$394	V1M (V1)	
	1	4.2	CFW300A04P2S1NB20	No	A	6.3 x 2.8 x 5.9	2.0 (0.9)	\$420	V1M (V1)	
	2	6.0	CFW300A06P0S1NB20	No	A	6.3 x 2.8 x 5.9	2.0 (0.9)	\$507	V1M (V1)	
	<b>Input Power Supply: Single-Phase 200-240 Vac</b>									
	1/4 or 1/3	1.6	CFW300A01P6S2NB20	No	A	6.3 x 2.8 x 5.9	2.0 (0.9)	\$323	V1M (V1)	
	3/4	2.6	CFW300A02P6S2NB20	No	A	6.3 x 2.8 x 5.9	2.0 (0.9)	\$348	V1M (V1)	
	1	4.2	CFW300A04P2S2NB20	No	A	6.3 x 2.8 x 5.9	2.0 (0.9)	\$371	V1M (V1)	
	2	6.0	CFW300A06P0S2NB20	No	A	6.3 x 2.8 x 5.9	2.0 (0.9)	\$461	V1M (V1)	
	2	7.3	CFW300A07P3S2NB20	No	A	6.3 x 2.8 x 5.9	2.0 (0.9)	\$543	V1M (V1)	
	3	10.0	CFW300B10P0B2DB20 <sup>3</sup>	Yes	B	8.1 x 2.8 x 6.3	3.0 (1.4)	\$648	V1M (V1)	
	<b>Input Power Supply: Three-Phase 200-240 Vac</b>									
	1/4 or 1/3	1.6	CFW300A01P6T2NB20	No	A	6.3 x 2.8 x 5.9	2.0 (0.9)	\$343	V1M (V1)	
	3/4	2.6	CFW300A02P6T2NB20	No	A	6.3 x 2.8 x 5.9	2.0 (0.9)	\$376	V1M (V1)	
	1	4.2	CFW300A04P2T2NB20	No	A	6.3 x 2.8 x 5.9	2.0 (0.9)	\$399	V1M (V1)	
	2	6.0	CFW300A06P0T2NB20	No	A	6.3 x 2.8 x 5.9	2.0 (0.9)	\$484	V1M (V1)	
	2	7.3	CFW300A07P3T2NB20	No	A	6.3 x 2.8 x 5.9	2.0 (0.9)	\$571	V1M (V1)	
	3	10.0	CFW300B10P0B2DB20 <sup>3</sup>	Yes	B	8.1 x 2.8 x 6.3	3.0 (1.4)	\$648	V1M (V1)	
	5	15.2	CFW300B15P2T2DB20	Yes	B	8.1 x 2.8 x 6.3	3.0 (1.4)	\$792	V1M (V1)	

**NOTES:**

- 1) "HP" rating based on "average FLA values". Use as a guide only.
  - 2) Motor FLA may vary with speed and manufacturer. ALWAYS compare motor FLA to Nominal AMPS of drive.
  - 3) CFW300B10P0B2DB20 is capable of Single-Phase input without derating.
- For other technical data please refer to WEG product manual.

### Options and Accessories<sup>1</sup>

Type	Catalog Number	Slot	Description	Approx. Wt. (lbs.)	List Price	Multiplier New (Old)
RS485 Card	CFW300-CRS485	1	RS-485 Module; 1 RS-485 Input (Modbus-RTU), 1 Mini USB for Remote Keypad	0.2	\$82	V1M (V1)
RS232 Card	CFW300-CRS232	1	RS-232 Communication Module (Modbus-RTU); 1 RS232	0.2	\$82	V1M (V1)
CANopen Card	CFW300-CCAN	1	CANopen/DeviceNet Comm. Module; 1 CAN/DeviceNet, External 24vdc Power	0.2	\$100	V1M (V1)
Profibus DP Card	CFW300-CPDP	1	Profibus DP Communication Module; 1 Profibus DP 9-Pin Connector	0.2	\$294	V1M (V1)
USB Card	CFW300-CUSB	1	USB Communication Module w/ 2-meter Cable; 1 Mini USB	0.2	\$87	V1M (V1)
Ethernet/IP / Modbus TCP	CFW300-CETH	1	Modbus TCP and ethernet/IP Communication Module <sup>3</sup>	0.2	\$280	V1M (V1)
Potentiometer Card	CFW300-IOP	1	CFW300 Potentiometer Reference Module <sup>4</sup>	0.2	\$90	V1M (V1)
Remote Keypad	CFW300-KHMIR	1	Remote Keypad; Includes CFW300-CRS485 and 3-meter Cable	0.4	\$256	V1M (V1)
I/O <sup>2</sup>	CFW300-IOAR	2	I/O Expansion Module; 1 AI, 1 AO, 3 DOR, +10vdc	0.2	\$141	V1M (V1)
I/O <sup>2</sup>	CFW300-IODR	2	I/O Expansion Module; 4 DI, 3 DOR	0.2	\$108	V1M (V1)
I/O <sup>2</sup>	CFW300-IOAENC	2	I/O and Encoder Module; 1 AI, 2 AO, +10vdc, 1 Incremental Encoder Input +5vdc	0.2	\$143	V1M (V1)
I/O <sup>2</sup>	CFW300-IOADR	2	I/O Expansion Module: 1 NTC, 3RO and 1 infrared input. Simple remote control with battery <sup>5</sup>	0.2	\$207	V1M (V1)
I/O <sup>2</sup>	CFW300-IOADR-D	2	I/O Expansion Module: 1 NTC, 3RO and 1 infrared input. Complete remote control with battery and DISPLAY <sup>5</sup>	0.2	\$245	V1M (V1)
I/O <sup>2</sup>	CFW300-IODF	2	I/O Expansion Module: 3 Pulse/frequency Input & 3 Pulse/ Frequency output (10 hz to 3000 hz) <sup>6</sup>	0.2	\$115	V1M (V1)
Flash Memory Module	MMF-uDrives	-	CFW100/300 Flash Memory Module	0.2	\$218	GA (V1)
RFI Filter Kit - Fr. A	CFW300-KFA-S1-S2 <sup>7</sup>	-	CFW300 RFI Filter Kit - Frame Size A - SINGLE PHASE INPUT MODELS ONLY (110V-240V)	0.3	\$90	V1M (V1)
RFI Filter Kit - Fr. B	CFW300-KFB-S2 <sup>7</sup>	-	CFW300 RFI Filter Kit - Frame Size B - SINGLE PHASE INPUT MODELS ONLY (200-240V)	0.3	\$105	V1M (V1)

**NOTES:**

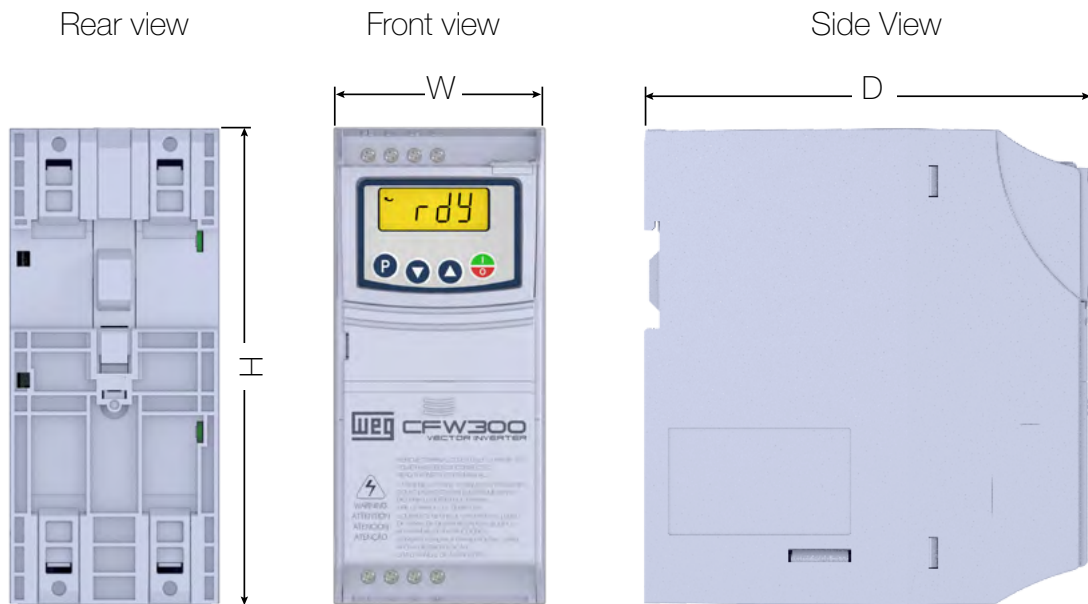
- 1) Up to Qty. (1) I/O Expansion Module plus Qty. (1) Communication Module can be added to the CFW300 VFD.
- 2) Option I/Os are in addition to the standard CFW300 I/O which includes: 4 DI, 1 AI, 1 DOR.
- 3) CFW300-CETH Module only works with CFW300 FM V3.00 or higher. This Module is not UL Listed.
- 4) CFW300-IOP Module only works with CFW300 FM V2.00 or higher. This Module is not UL Listed.
- 5) CFW300-IOADR module works with CFW300 FM V3.01 or higher.
- 6) CFW300-IODF module only works with CFW300 FM V1.30 or higher. The I/Os are only accessible through SoftPLC Application.
- 7) Not UL listed.

### Option Card I/O Table

CFW300 Option I/O Module	DI	AI	AO	DOR	Encoder	Infrared	FI (SoftPLC only)	FI (SoftPLC only)
CFW300-IOAR		1	1	3				
CFW300-IODR	4			3				
CFW300-IOAENC		1	2		1			
CFW300-IOADR				3		1		
CFW300-IODF							3	3

**NOTES:**

1) The CFW300 Drive includes 4DI, 1AI & 1 DOR as standard. The Option I/O Modules provide additional I/Os as shown in the above table.



Frame Size IP20	Height in. (mm)	Width in. (mm)	Depth in. (mm)	Weight Lbs. (kg)
A (w/o RFI)	6.3 (157.9)	2.8 (70.0)	5.9 (148.4)	2.0 (0.9)
A (w/RFI)	7.8 (196.0)	2.8 (70.0)	7.5 (190.1)	2.9 (1.3)
B (w/o RFI)	8.1 (198.9)	2.8 (70.0)	6.3 (158.4)	3.0 (1.4)
B (w/ RFI)	9.4 (237.0)	2.8 (70.0)	7.9 (200.1)	4.0 (1.8)

## CFW300

### Technical Data

<b>Power Supply</b>	Voltage	Single Phase Single Phase or Three Phase	110-127 Vac (+10%, -15%) 200-240 Vac (+10%, -15%)
	Frequency	50 / 60Hz +/- 2Hz	
<b>Output</b>	Voltage	0-230 Vac Three Phase	
	Frequency	0-400 Hz, 0.1Hz Resolution	
<b>Control</b>	Control Modes	Volts per Hertz (Scalar) Sensorless Voltage Vector Sinusoidal PWM (Space Vector Modulation)	
	Switching Frequency	2.5, 5, 10 or 15kHz	
	Frequency Range	0-400 Hz	
	Overload Capacity	150% for 60 seconds, repeatable every 10 min.	
<b>Control Inputs</b>	4 programmable isolated digital inputs, NPN or 24Vdc logic (PNP)		
	1 programmable differential analog input; programmable for current or voltage		
<b>Control Outputs</b>	1 programmable relay output: One NO/NC (Form C) 250 Vac / 0.5 A		
<b>Communication</b>	Field Bus	Optional modules for RS-485, RS-232, CANopen, DeviceNet, Profibus-DP, USB	
<b>Safety</b>	Protections	Motor over current	DC link over voltage
		Motor overload	DC link under voltage
		Output phase-to-phase short circuit	Drive over temperature
		Output phase-to-ground short circuit	External fault
		Programming error	
<b>Enclosure</b>	Degree of Protection	IP20	
	Mounting	Surface mounting with screws or DIN rail mounting	
<b>Ambient</b>	Temperature	14 - 122°F (50°C), up to 140°F (60°C) with 2% / 1.8°F (1°C) output current derating	
	Humidity	5-95% Non Condensing	
	Altitude	0-3300 ft (1000m) Up to 13,200 ft (4000m) with 1% / 330ft (100m) output current derating	
<b>Regulatory Conformance</b>	EMC Directive 89 / 336 / EEC	Electromagnetic compatibility – Industrial Environment EMC Emission and Immunity with optional filter	
	ENC61800-2, 3, 5-1 ENC61800-4-2, 3, 4, 5, 6		
	LVD 73/23/EEC	Low Voltage Directive	
	UL 508C, UL 840, UL 50	Electrical Equipment standards	
<b>Special Functions</b>	Linear and “S” ramp accel and decel, local/remote control, FWD/REV selection, DC braking, manual and auto torque boost, motor slip compensation, electronic pot, two skip frequencies, maximum and minimum adjustable frequency limits, adjustable output current		
<b>Keypad</b>	4 digit LCD display and 4 keys		
	Readouts for: output frequency (Hz), output current (A), output voltage (V), motor torque (%) in vector mode, DC bus voltage (V), value proportional to frequency (Ex.: RPM), fault and status messages		



## CFW320

The CFW320 is a high-performance variable-speed drive for three-phase induction motors. It is ideal for machines or equipment applications requiring precise control with easy setup and operation.

The CFW320 features a compact size with contactor-style electrical connections (top in / bottom out). The VFD's performance can be scaled to match the application by selecting WEG vector control (VWV) or scalar control (V/F). The CFW320 includes a built-in operator interface (HMI) and SoftPLC with free WPS programming software for custom-tailored control schemes. A variety of plug-in option modules for additional I/O and communications protocols may be added to provide extended capabilities, making the CFW320 a flexible and cost-effective solution for your variable speed requirements.



### Standard Features

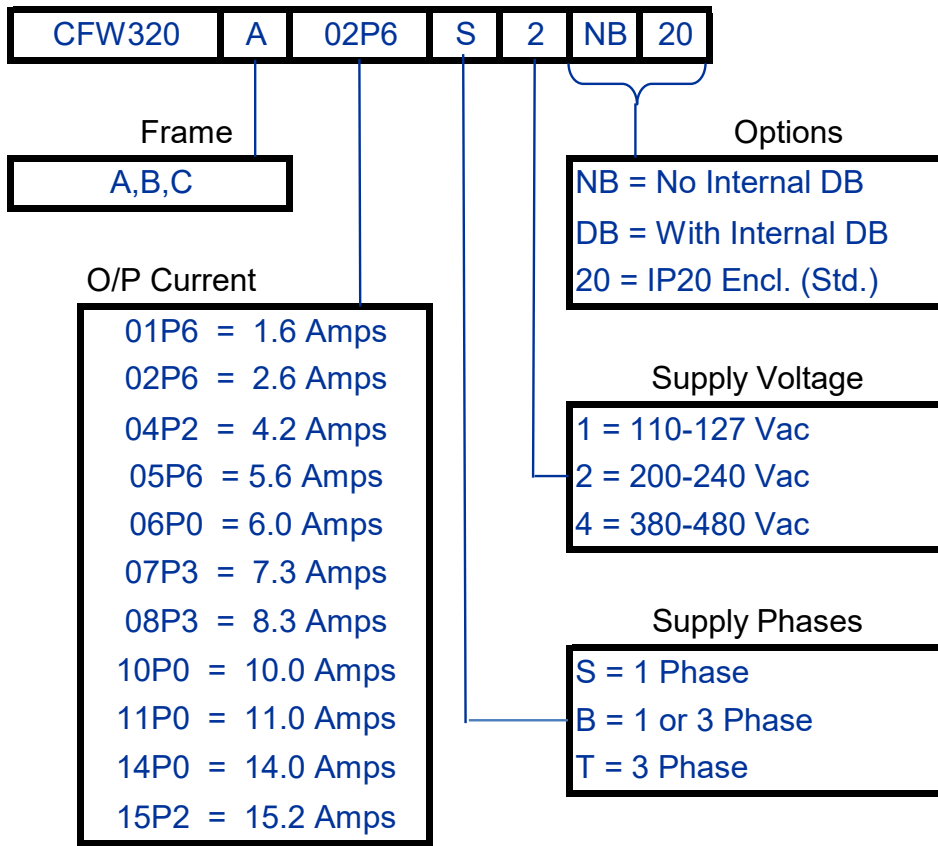
- Listed under new UL61800-5-1.
- Power Range:
  - Up to 2HP @ 3/230VAC with 1/110-127 Vac input
  - Up to 3HP @ 3/230VAC with 1/200-240 Vac input
  - Up to 5HP @ 3/230VAC with 3/200-240 Vac input
  - Up to 10HP @ 3/460VAC with 3/380-480 Vac input
- Din rail or surface mounting with screws
- Control mode: Scalar (V/Hz) or WEG Voltage Vector (VWV)
- Switching frequency: 2.5 to 15kHz
- Overload capacity: 150% for 60 sec. every 10 min. or 200% for 3 sec. every 10 min.
- Degree of protection: IP20
- 460VAC Models available with and without dynamic braking chopper.
- Conformal coated circuit board as per Class 3C2 in compliance with IEC 60721-3-3.
- Built-in SoftPLC (PLC functionality).
- Built-in 4 Digital inputs, 1 analog input, and one Form-C relay output.
- Two independent slots: one for communication and another to expand drive I/O capability.
- Wide variety of communication options.

### Applications

- |                     |                     |
|---------------------|---------------------|
| • Centrifugal pumps | • Conveyors         |
| • Fans / Blowers    | • Roller Tables     |
| • Blenders / Mixers | • Granulators       |
| • Centrifuges       | • Commercial Dryers |
| • Compressors       | • Rotary Filters    |



### CFW320 CATALOG NUMBER SEQUENCE



# Variable Frequency Drives



## CFW320

### CFW320 - IP20

Motor Voltage	Motor HP <sup>1</sup>	Drive Amps <sup>2</sup>	Catalog Number	Braking Transistor	Frame Size	Dimensions (in.) HxWxD	Approx. Weight (lbs.)	List Price	Multiplier		
230 Vac / 3 Phase <sup>4</sup>	<b>Input Power Supply: Single-Phase 110-127 Vac</b>										
	1/4 or 1/3	1.6	CFW320A01P6S1NB20	No	A	6.22 x 2.76 x 5.84	1.98	\$361	V1M		
	3/4	2.6	CFW320A02P6S1NB20	No	A	6.22 x 2.76 x 5.84	1.98	\$394	V1M		
	1	4.2	CFW320A04P2S1NB20	No	A	6.22 x 2.76 x 5.84	1.98	\$420	V1M		
	2	6.0	CFW320A06POS1NB20	No	A	6.22 x 2.76 x 5.84	1.98	\$507	V1M		
	<b>Input Power Supply: Single-Phase 200-240 Vac</b>										
	1/4 or 1/3	1.6	CFW320A01P6S2NB20	No	A	6.22 x 2.76 x 5.84	1.98	\$323	V1M		
	3/4	2.6	CFW320A02P6S2NB20	No	A	6.22 x 2.76 x 5.84	1.98	\$348	V1M		
	1	4.2	CFW320A04P2S2NB20	No	A	6.22 x 2.76 x 5.84	1.98	\$371	V1M		
	2	6.0	CFW320A06POS2NB20	No	A	6.22 x 2.76 x 5.84	1.98	\$461	V1M		
	2	7.3	CFW320A07P3S2NB20	No	A	6.22 x 2.76 x 5.84	1.98	\$543	V1M		
	3	10.0	CFW320B10POB2DB20 3	Yes	B	8.08 x 2.76 x 6.24	2.95	\$648	V1M		
	<b>Input Power Supply: Three-Phase 200-240 Vac</b>										
	1/4 or 1/3	1.6	CFW320A01P6T2NB20	No	A	6.22 x 2.76 x 5.84	1.98	\$343	V1M		
	3/4	2.6	CFW320A02P6T2NB20	No	A	6.22 x 2.76 x 5.84	1.98	\$376	V1M		
	1	4.2	CFW320A04P2T2NB20	No	A	6.22 x 2.76 x 5.84	1.98	\$399	V1M		
	2	6.0	CFW320A06POT2NB20	No	A	6.22 x 2.76 x 5.84	1.98	\$484	V1M		
	2	7.3	CFW320A07P3T2NB20	No	A	6.22 x 2.76 x 5.84	1.98	\$571	V1M		
	3	10.0	CFW320B10POB2DB20 3	Yes	B	8.08 x 2.76 x 6.24	2.95	\$648	V1M		
	5	15.2	CFW320B15P2T2DB20	Yes	B	8.08 x 2.76 x 6.24	2.95	\$792	V1M		
	460 Vac / 3 Phase <sup>5</sup>	<b>Input Power Supply: Three-Phase 460-480 Vac without dynamic Braking Transistor</b>									
		1/2	1.1	CFW320A01P1T4NB20	No	A	6.22 x 2.76 x 5.84	1.98	\$466	V1M	
		1	1.8	CFW320A01P8T4NB20	No	A	6.22 x 2.76 x 5.84	1.98	\$474	V1M	
		1 1/2	2.6	CFW320A02P6T4NB20	No	A	6.22 x 2.76 x 5.84	1.98	\$483	V1M	
		2	3.5	CFW320A03P5T4NB20	No	A	6.22 x 2.76 x 5.84	1.98	\$519	V1M	
		3	4.8	CFW320A04P8T4NB20	No	A	6.22 x 2.76 x 5.84	1.98	\$639	V1M	
		3	5.6	CFW320B05P6T4NB20	No	B	8.08 x 2.76 x 6.24	2.95	\$786	V1M	
		5	7.6	CFW320B07P6T4NB20	No	B	8.08 x 2.76 x 6.24	2.95	\$809	V1M	
5		8.3	CFW320C08P3T4NB20	No	C	8.43 x 3.5 x 6.45	3.30	\$886	V1M		
7 1/2		11.0	CFW320C11POT4NB20	No	C	8.43 x 3.5 x 6.45	3.30	\$919	V1M		
10		14.0	CFW320C14POT4NB20	No	C	8.43 x 3.5 x 6.45	3.30	\$1,137	V1M		
<b>Input Power Supply: Three-Phase 460-480 Vac with dynamic Braking Transistor</b>											
1/2		1.1	CFW320B01P1T4DB20	Yes	B	8.08 x 2.76 x 6.24	2.95	\$488	V1M		
1		1.8	CFW320B01P8T4DB20	Yes	B	8.08 x 2.76 x 6.24	2.95	\$498	V1M		
1 1/2		2.6	CFW320B02P6T4DB20	Yes	B	8.08 x 2.76 x 6.24	2.95	\$512	V1M		
2		3.5	CFW320B03P5T4DB20	Yes	B	8.08 x 2.76 x 6.24	2.95	\$566	V1M		
3		4.8	CFW320B04P8T4DB20	Yes	B	8.08 x 2.76 x 6.24	2.95	\$714	V1M		
3		5.6	CFW320B05P6T4DB20	Yes	B	8.08 x 2.76 x 6.24	2.95	\$833	V1M		
5		7.6	CFW320B07P6T4DB20	Yes	B	8.08 x 2.76 x 6.24	2.95	\$854	V1M		
5		8.3	CFW320C08P3T4DB20	Yes	C	8.43 x 3.5 x 6.45	3.30	\$935	V1M		
7 1/2		11.0	CFW320C11POT4DB20	Yes	C	8.43 x 3.5 x 6.45	3.30	\$966	V1M		
10		14.0	CFW320C14POT4DB20	Yes	C	8.43 x 3.5 x 6.45	3.30	\$1,196	V1M		

**NOTES:**

- 1) "HP" rating based on WEG 4-Pole W22 motors' "average FLA values." Use as a guide only.
- 2) Motor FLA may vary with speed and manufacturer. ALWAYS compare motor FLA to drive output current.
- 3) "CFW320B10POB2DB20" is capable of Single-Phase input without derating.
- 4) All the 230VAC drives are rated for max. ambient temperature of 50°C without derating.
- 5) All the 460VAC drives are rated for max. ambient temperature of 40°C without derating.

### Options and Accessories <sup>1</sup>

Type	Catalog Number	Slot	Description	Approx. Wt. (lbs.)	List Price	Multiplier
Communication Module	<b>CFW320-CRS485</b>	1 (Upper)	RS-485 Module; 1 RS-485 Input (Modbus RTU / BACnet MS/TP), 1 Mini USB for Remote Keypad	0.2	<b>\$85</b>	V1M
	<b>CFW320-CRS232</b>	1 (Upper)	RS-232 Communication Module (Modbus-RTU); 1 RS232	0.2	<b>\$85</b>	V1M
	<b>CFW320-CCAN</b>	1 (Upper)	CANopen/DeviceNet Comm. Module; 1 CAN/DeviceNet, External 24vdc Power	0.2	<b>\$100</b>	V1M
	<b>CFW320-CPDP</b>	1 (Upper)	Profibus DP Communication Module; 1 Profibus DP 9-Pin Connector	0.2	<b>\$294</b>	V1M
	<b>CFW320-CUSB</b>	1 (Upper)	USB Communication Module w/ 2-meter Cable; 1 Mini USB	0.2	<b>\$98</b>	V1M
	<b>CFW320-CETH</b>	1 (Upper)	Dual Port Modbus TCP or Ethernet/IP Communication Module	0.2	<b>\$287</b>	V1M
Remote keypad	<b>CFW320-KHMIR</b>	1 (Upper)	Remote Keypad; Includes CFW320-CRS485 and 3-meter Cable	0.4	<b>\$266</b>	V1M
I/O Expansion Modules <sup>2</sup>	<b>CFW320-IOP</b>	1 (Upper)	CFW320 Potentiometer Reference Module	0.2	<b>\$90</b>	V1M
	<b>CFW320-IOAR</b>	2 (Lower)	I/O Expansion Module; 1 AI, 1 AO, 3 DOR, +10vdc	0.2	<b>\$146</b>	V1M
	<b>CFW320-IODR</b>	2 (Lower)	I/O Expansion Module; 4 DI, 3 DOR	0.2	<b>\$112</b>	V1M
	<b>CFW320-IOAENC</b>	2 (Lower)	I/O and Encoder Module; 1 AI, 2 AO, +10vdc, 1 Incremental Encoder Input +5vdc	0.2	<b>\$149</b>	V1M
	<b>CFW320-IOADR</b>	2 (Lower)	I/O Expansion Module: 1 NTC, 3RO and 1 infrared input. Simple remote control with battery	0.2	<b>\$215</b>	V1M
	<b>CFW320-IOADR-D</b>	2 (Lower)	I/O Expansion Module: 1 NTC, 3RO and 1 infrared input. Complete remote control with battery and DISPLAY	0.2	<b>\$245</b>	V1M
	<b>CFW320-IODF<sup>3</sup></b>	2 (Lower)	I/O Expansion Module: 3 Pulse/frequency Input & 3 Pulse/Frequency output (10 hz to 3000 hz)	0.2	<b>\$120</b>	V1M
Flash Memory Module	<b>MMF-uDrives</b>	-	CFW100/3x0 Flash Memory Module	0.2	<b>\$218</b>	GA (V1)
RFI Filter <sup>4</sup>	<b>CFW320-KFA-S1-S2</b>	-	RFI Filter accessory for CFW320 110V-240V frame size "A"	0.3	<b>\$93</b>	V1M
	<b>CFW320-KFB-S2</b>	-	RFI Filter accessory for CFW320 200V-240V frame size "B"	0.3	<b>\$109</b>	V1M
	<b>CFW320-KFA-T2</b>	-	RFI Filter accessory for CFW320 200V-240V frame size "A"	0.3	<b>\$173</b>	V1M
	<b>CFW320-KFB-T2</b>	-	RFI Filter accessory for CFW320 200V-240V frame size "B"	0.3	<b>\$213</b>	V1M
	<b>CFW320-KFA-T4</b>	-	RFI Filter accessory for CFW320 380V-480V frame size "A"	0.5	<b>\$173</b>	V1M
	<b>CFW320-KFB-T4</b>	-	RFI Filter accessory for CFW320 380V-480V frame size "B"	0.5	<b>\$213</b>	V1M
	<b>CFW320-KFC-T4</b>	-	RFI Filter accessory for CFW320 380V-480V frame size "C"	0.5	<b>\$226</b>	V1M

**NOTES:**

- 1) Up to Qty. (1) I/O Expansion Module plus Qty. (1) Communication Module can be added to the CFW320 VFD.
- 2) Option I/Os are in addition to the standard CFW320 I/O, which includes 4 DI, 1 AI, 1 DOR.
- 3) The I/Os for "CFW320-IODF" module are only accessible through SoftPLC Application.
- 4) The RFI filters are not "UL" listed.

## CFW320

### Option Card I/O Table <sup>6</sup>

CFW320 Communication / I/O Modules	Slots <sup>5</sup>	Inputs			Outputs			Potentiometer for speed reference	USB <sup>4</sup>	Infrared sensors and NTC <sup>3</sup>	Encoder input <sup>2</sup>	Network communication			
		Analog	Digital	Frequency	Analog	Relay digital	Frequency					RS485	RS232	Others	
CFW320-CRS485	Upper slot	-	-	-	-	-	-	-	-	-	-	1	-	-	
CFW320-CRS232		-	-	-	-	-	-	-	-	-	-	-	1	-	
CFW320-CCAN		-	-	-	-	-	-	-	-	-	-	-	-	-	CANopen or DeviceNet
CFW320-CPDP		-	-	-	-	-	-	-	-	-	-	-	-	-	Profibus-DP
CFW320-CUSB		-	-	-	-	-	-	-	1	-	-	-	-	-	-
CFW320-IOP		-	-	-	-	-	-	-	1	-	-	-	-	-	-
CFW320-CETH		-	-	-	-	-	-	-	-	-	-	-	-	-	Ethernet/IP or Modbus-TCP
CFW320-IOAR	Lower slot	1	-	-	1	3	-	-	-	-	-	-	-	-	
CFW320-IODR 1		-	4	-	-	3	-	-	-	-	-	-	-	-	
CFW320-IOAENC		1	-	-	2	-	-	-	-	-	1	-	-	-	
CFW320-IOADR		1	-	-	-	3	-	-	-	-	1	-	-	-	
CFW320-IOADR-D		-	-	-	-	3	-	-	-	-	1	-	-	-	
CFW320-IODF		-	-	3	-	-	3	-	-	-	-	-	-	-	-

**NOTES:**

- 1) Configurable isolated digital inputs (NPN or PNP).
- 2) Incremental Encoder (A/A - B/B), power supply of +5 V @ 100 mA for the encoder, maximum frequency of 400 kHz.
- 3) Remote control and battery included.
- 4) USB cable included.
- 5) It allows 1 plug-in module in the upper slot (network communication) and 1 plug-in module in the lower slot (input/output expansion).
- 6) The standard version of the CFW320 already has 4 (configurable) PNP or NPN digital inputs, 1 analog input 0-10 V dc / 4-20 mA and 1 relay output 0.5 A / 250 V ac.

## Dimensions



CFW320 Frame Size (IP20)	H In (mm)	W In (mm)	D In (mm)	Weight Lb (kg)
A (w/o RFI)	6.22 (157.9)	2.76 (70.0)	5.84 (148.4)	1.98 (0.90)
A (w/ RFI)	7.72 (196.0)	2.76 (70.0)	7.48 (190.1)	2.86 (1.30)
B (w/o RFI)	8.08 (198.9)	2.76 (70.0)	6.24 (158.4)	2.95 (1.34)
B (w/ RFI)	9.33 (237.0)	2.76 (70.0)	7.88 (200.1)	3.96 (1.80)
C (w/o RFI)	8.43 (214.0)	3.50 (89.0)	6.45 (164.0)	3.30 (1.50)
C (w/ RFI)	9.93 (252.3)	3.50 (89.0)	8.17 (207.5)	4.31 (1.96)

### Technical Data

<b>Input AC Power Supply</b>	Voltage	Single Phase	110-127 Vac (+10%, -15%)
		Single Phase or Three Phase	200-240 Vac (+10%, -15%)
		Three phase	380-480 Vac (+10%, -15%)
	Frequency	50 / 60 Hz (Range: 48... 62Hz)	
	Phase Unbalance	≤ 3% between line voltages	
	Overvoltages / transients	Category III (EN 61010 / IEC61800-5-1 / UL61800-5-1)	
Typical efficiency	≥ 97%		
Audible noise level	< 60 dB		
<b>Ambient</b>	Operating ambient Temperature	200V Line: from 32 °F to 122 °F (0 °C to 50 °C) 400V Line: from 32 °F to 104 °F (0 °C to 40 °C) For temperatures higher than specified above, it is necessary to apply 2% of current derating for each °C (1.1% for each °F), limited to an increase of 10 °C (18°F).	
	Humidity	5 ... 95 % non-condensing	
	Altitude	1,000 meter w/o Derating 1,000 m to 4,000 m - 1% current derating for each 100 m above 1,000 m	
		From 2,000 m to 4,000 meter above sea level – maximum voltage derating (127 V / 240 V / 480 V, according to the model) of 1.1% for each 100 m above 2,000 m	
	Pollution degree	2 (according to EN 50178 and UL 508C), with non-conductive pollution. Condensation must not cause the conduction of the accumulated residues.	
	Conformal Coating	3C2 (IEC 60721-3-3:2002)	
Vibration	Level 3M4		
<b>Motor Control</b>	Type of Control	V/F (Scalar)	
		V/F (Quadratic)	
		VVV: Voltage vector control	
	Modulation	PWM SVM (Space Vector Modulation)	
Output Frequency	0 to 400 Hz, resolution 0.1 Hz		
<b>Performance</b>	Speed Control	V/F Control: Speed regulation: 1% of the rated speed (with sleep compensation) Speed variation range: 1:20	
		Vector control (VVV): Speed regulation: 1% of the rated speed Speed variation range: 1:30	
<b>Inputs<sup>1</sup></b>	Analog	1 isolated input: 0 to 10 V or 0 to 20 mA or 4 to 20 mA Linearity error ≤ 0.25% Impedance: 100 kΩ for voltage input, 500 Ω for current input Programmable functions Voltage on the inputs: 30 V dc	
	Digital	4 isolated inputs. Programmable functions: - Active high (PNP): maximum low level of 10 V dc minimum high level 20 V dc - Active low (NPN): maximum low level of 5 V dc minimum high level of 10 V dc Maximum input voltage of 30 V dc Input current: 11 mA Max input current: 20 mA	
<b>Outputs<sup>1</sup></b>	Relay	1 relays with NO/NC contact Maximum voltage: 250 V ac Maximum current: 0.5 A Programmable functions	
	Power Supply	10 V dc power supply maximum capacity: 50 mA	
<b>Safety</b>	Protection	Overcurrent/phase-phase short circuit in the output Under/overvoltage at the power supply Motor overload Overtemperature in the power module (IGBTs) External fault/alarm Programming error	
<b>Keypad (HMI)</b>	Built-in	4 keys: run/stop, increment, decrement and setting LCD display Indication accuracy: - Current: 10% of the rated current - Speed resolution: 0.1 Hz	
<b>Communication</b>	Communication networks or accessibility	Modbus-TCP, RS485 (Modbus RTU / BACnet), RS232, CANopen, DeviceNet, Ethernet, Profibus-DP or USB Port (with plug-in modules)	
<b>Protection Rating</b>	IP20	Frames A, B & C	

**NOTES:**

1) Available as a drive built-in I/Os.

## CFW320

### Technical Data

<b>Safety Standards</b>	UL61800-5-1 - Adjustable Speed Electrical Power Drive Systems - Part 5-1: Safety Requirements - Electrical, Thermal and Energy.	
	EN 61800-5-1 - Safety requirements electrical, thermal and energy	
	EN 50178 - Electronic equipment for use in power installations	
	EN 60204-1 - safety of machinery. Electrical equipment of machines. Part 1: general requirements Note: the final assembler of the machine is responsible for installing a safety stop device and a supply disconnecting device	
	EN 60146 (IEC 146) - semiconductor converters	
	EN 61800-2 - adjustable speed electrical power drive systems - part 2: general requirements - rating specifications for low voltage adjustable frequency AC power drive systems	
<b>Electromagnetic compatibility standards (EMC)</b>	EN 61800-3 - Adjustable speed electrical power drive systems - Part 3: EMC product standard including specific test methods Maximum voltage: 30 Vdc	
	CISPR 11 - industrial, scientific and medical (ISM) radio-frequency equipment - electromagnetic disturbance characteristics - limits and methods of measurement	
	EN 61000-4-2 - Electromagnetic compatibility (EMC) - Part 4: testing and measurement techniques - Sec. 2: electrostatic discharge immunity test	
	EN 61000-4-3 - Electromagnetic compatibility (EMC) - Part 4: testing and measurement techniques - Sec. 3: radiated, radio-frequency, electromagnetic field immunity test	
	EN 61000-4-4 - Electromagnetic compatibility (EMC) - Part 4: testing and measurement techniques - Sec. 4: electrical fast transient/burst immunity test	
	EN 61000-4-5 - Electromagnetic compatibility (EMC) - Part 4: testing and measurement techniques - Sec. 5: surge immunity test	
	EN 61000-4-6 - Electromagnetic compatibility (EMC) - Part 4: testing and measurement techniques - Sec. 6: immunity to conducted disturbances, induced by radio-frequency fields	
<b>Mechanical standards</b>	EN 60529 - Degrees of protection provided by enclosures (IP code)	
	UL 50 - Enclosures for electrical equipment	
<b>Ecodesign standards</b>	IEC 60721-3-3 - classification of environmental conditions - part 3: classification of groups of environmental parameters and their severities - section 3: Stationary use at weather protected locations level	
	IEC 61800-9-2 Parts 1 & 2 - "Adjustable speed electrical power drive systems - Ecodesign for power drive systems, motor starters, power electronics and their driven applications"	
<b>Functional safety standards</b>	EN 61800-5-2 - Adjustable speed electrical power drive systems - Part 5-2: Safety requirements - Functional	
	EN ISO 13849-1 - Safety of machinery - Safety-related parts of control systems - Part 1: General principles for design	
	EN 62061 - Safety of machinery - Functional safety of safety-related control systems	
	IEC 61508 Parts 1-7 - Functional safety of electrical/electronic/programmable electronic safety-related systems	
<b>Certifications</b>	cULus	Certificate Number : UL-US-2214688-0; Report Reference: E184430-20220408
	CE	European Community
	UKCA	United Kingdom
	EAC	Russia
	C-Tick	Australia & New Zealand

### Dynamic Braking Resistors - 100% Braking Torque at 20% Duty Cycle (12 Seconds Max. Braking Time) - NEMA1 Enclosure

Motor Voltage	Motor HP	CFW320 Catalog Number	Braking Resistor Catalog Number	Rated Ohms	Rated Watts	Dimensions (in.) HxWxD <sup>1</sup>	List Price	Multiplier New (Old)
3/230 Vac	3	<a href="#">CFW320B10P0B2DB20</a>	CFDB2-63-448	63	500	5 x 12 x 7	<b>\$825</b>	GA (V1)
	5	<a href="#">CFW320B15P2T2DB20</a>	CFDB2-63-448	63	500	5 x 12 x 7	<b>\$825</b>	GA (V1)
3/460 Vac	1/2	<a href="#">CFW320B01P1T4DB20</a>	CFDB2-250-448	250	512	5 x 12 x 7	<b>\$825</b>	GA (V1)
	1	<a href="#">CFW320B01P8T4DB20</a>	CFDB2-250-448	250	512	5 x 12 x 7	<b>\$825</b>	GA (V1)
	1 1/2	<a href="#">CFW320B02P6T4DB20</a>	CFDB2-250-448	250	512	5 x 12 x 7	<b>\$825</b>	GA (V1)
	2	<a href="#">CFW320B03P5T4DB20</a>	CFDB2-250-448	250	512	5 x 12 x 7	<b>\$825</b>	GA (V1)
	3	<a href="#">CFW320B04P8T4DB20</a>	CFDB2-100-1119	100	1280	5 x 12 x 13	<b>\$1,225</b>	GA (V1)
	3	<a href="#">CFW320B05P6T4DB20</a>	CFDB2-100-1119	100	1280	5 x 12 x 13	<b>\$1,225</b>	GA (V1)
	5	<a href="#">CFW320B07P6T4DB20</a>	CFDB2-100-1119	100	1280	5 x 12 x 13	<b>\$1,225</b>	GA (V1)
	5	<a href="#">CFW320C08P3T4DB20</a>	CFDB2-50-2238	50	2560	5 x 19 x 13	<b>\$1,965</b>	GA (V1)
	7 1/2	<a href="#">CFW320C11P0T4DB20</a>	CFDB2-50-2238	50	2560	5 x 19 x 13	<b>\$1,965</b>	GA (V1)
	10	<a href="#">CFW320C14P0T4DB20</a>	CFDB2-50-2238	50	2560	5 x 19 x 13	<b>\$1,965</b>	GA (V1)

**NOTES:**

1) Dimensions are provided for estimating purposes only.

## CFW500-G2 (GENERATION-2)

The CFW500 has advanced technology plug and play options, developed for fast commissioning, providing great flexibility and competitive advantage while offering excellent performance and reliability. Designed for exclusively industrial or professional use, perfect for OEM, system integrators, panel installers and End Users providing great benefit from the added value. With Generation-2 (G2), the CFW500 drives now offer more features in the same footprint as Generation-1 drives. The power range of CFW500-IP20-G2 drive is now extended to 75HP @ 230VAC and 175HP @ 460VAC. The CFW500-G2 drive also is also available in IP66/ NEMA4X Washdown enclosure which is rated for indoor and outdoor installation in direct sunlight.

### Standard Features

- Same programming as other WEG VFDs including CFW500-Generation-1 drives.
- Built-in SoftPLC.
- Scalar, Vector Control (Sensorless and closed loop with encoder feedback) & VVW PM (suitable for fan, Pump and compressor).
- IP20 & NEMA1 (with NEMA1 kit) Enclosure.
- NEMA 4X (IP66) Washdown Enclosure with and without disconnect switch, suitable for indoor and outdoor use (in direct sunlight).
- 200-240V, 380-480V or 500-600 input voltage.
- Heavy Duty rated – 150% current overload capacity.
- 0 to 500 Hz output frequency.
- 2.5 to 15 kHz adjustable switching frequency (5 kHz standard)
- Built-in 24 Vdc Power supply (max. 150 mA).
- Built-in RS-485 (Modbus RTU/BACnet) communication.
- Four isolated programmable digital inputs.
- One programmable relay output (1NO, 1NC, 240vac 0.5A).
- One programmable transistor output.
- One isolated programmable analog input (0-10V, 0/4-20 mA).
- One isolated programmable analog output (0-10V, 0/4-20 mA).
- Optional Safe Torque off Module.
- Pump Genius – Simplex, Multiplex (up to three pumps in parallel) like CFW11 Pump Genius.
- WLP and WPS compatible.



For Indoor / Outdoor Use



### Applications

- |                    |                                  |
|--------------------|----------------------------------|
| • Pumps            | • Commercial dryers              |
| • Fans/ventilators | • Extruders                      |
| • Blowers          | • General machinery              |
| • Conveyors        | • Agitators                      |
| • Rollout tables   | • Any washdown (for NEMA4X/IP66) |
| • Mixers/Blenders  |                                  |



### CFW500-G2 Catalog Number Sequence

CFW500 A 01P6 T 4 NB 20 G2

CFW500 A 02P6 B 2 DB 66 DS G2

Frame

A, B, C, D, E, F, G

Rated Current

01P6 = 1.6 Amps  
 02P6 = 2.6 Amps  
 06P5 = 6.5 Amps  
 07P3 = 7.3 Amps  
 10P0 = 10 Amps  
 16P0 = 16 Amps  
 24P0 = 24 Amps  
 49P0 = 49 Amps  
 56P0 = 56 Amps  
 88P0 = 88 Amps  
 0105 = 105 Amps  
 0142 = 142 Amps  
 0180 = 180 Amps  
 0211 = 211 Amps

Options

NB = No Brake  
 DB = Dynamic Brake  
 20 = IP20 Encl.  
 66 = NEMA4X/IP66  
 DS = With Disconnect Switch  
 G2 = Generation-2

Supply Voltage

2 = 200-240 Vac  
 4 = 380-480 Vac  
 5 = 500-600 Vac

Supply Phases

S = 1 Phase  
 B = 1 or 3 Phase  
 T = 3 Phase

# Variable Frequency Drives



## CFW500-G2

### CFW500 - IP20 - G2 (GENERATION-2)

#### IP20 Finger Safe Enclosure

Motor Voltage	ND / VT <sup>1</sup>		HD / CT <sup>1</sup>		Catalog Number	Braking Transistor	Frame Size <sup>4</sup>	Dimensions (in.) HxWxD	Approx. Weight (lbs.)	List Price	Multiplier New (Old)	
	Motor HP <sup>2</sup>	Drive Amps <sup>3</sup>	Motor HP <sup>2</sup>	Drive Amps <sup>3</sup>								
230 Vac / 3 Phase	<b>Input Power Supply: Single-Phase 200-240 Vac</b>											
	1/3	1.6	1/3	1.6	CFW500A01P6S2NB20G2	No	A	7.5 x 3.0 x 5.9	1.8	\$451	V1G (V1)	
	3/4	2.6	3/4	2.6	CFW500A02P6S2NB20G2	No	A	7.5 x 3.0 x 5.9	1.8	\$463	V1G (V1)	
	1 1/2	4.3	1 1/2	4.3	CFW500A04P3S2NB20G2	No	A	7.5 x 3.0 x 5.9	1.8	\$499	V1G (V1)	
	2	7.3	2	7.3	CFW500A07POS2NB20G2	No	A	7.5 x 3.0 x 5.9	1.8	\$633	V1G (V1)	
	<b>Input Power Supply: Single or Three-Phase 200-240 Vac</b>											
	1/3	1.6	1/3	1.6	CFW500A01P6B2NB20G2	No	A	7.5 x 3.0 x 5.9	1.8	\$456	V1G (V1)	
	3/4	2.6	3/4	2.6	CFW500A02P6B2NB20G2	No	A	7.5 x 3.0 x 5.9	1.8	\$467	V1G (V1)	
	1 1/2	4.3	1 1/2	4.3	CFW500A04P3B2NB20G2	No	A	7.5 x 3.0 x 5.9	1.8	\$506	V1G (V1)	
	2	7.3	2	7.3	CFW500B07P3B2DB20G2	Yes	B	7.9 x 4.0 x 6.3	2.6	\$678	V1G (V1)	
	3	10.0	3	10.0	CFW500B10P0B2DB20G2	Yes	B	7.9 x 4.0 x 6.3	2.6	\$789	V1G (V1)	
	<b>Input Power Supply: Three-Phase 200-240 Vac</b>											
	2	7.0	2	7.0	CFW500A07P0T2NB20G2	No	A	7.5 x 3.0 x 5.9	1.8	\$628	V1G (V1)	
	3	9.6	3	9.6	CFW500A09P6T2NB20G2	No	A	7.5 x 3.0 x 5.9	1.8	\$773	V1G (V1)	
	5	16	5	16	CFW500B16P0T2DB20G2	Yes	B	7.9 x 4.0 x 6.3	2.6	\$842	V1G (V1)	
	7 1/2	24	7 1/2	24	CFW500C24P0T2DB20G2	Yes	C	8.3 x 5.3 x 6.5	4.4	\$1,427	V1G (V1)	
	10	28	10	28	CFW500D28P0T2DB20G2	Yes	D	12.1 x 7.1 x 6.6	9.5	\$1,777	V1G (V1)	
	10	33	10	33	CFW500D33P0T2DB20G2	Yes	D	12.1 x 7.1 x 6.6	9.5	\$2,146	V1G (V1)	
	15	47	15	47	CFW500D47P0T2DB20G2	Yes	D	12.1 x 7.1 x 6.6	9.5	\$2,910	V1G (V1)	
	25*	70*	20	56	CFW500E56P0T2DB20G2*	Yes	E	13.8 x 8.7 x 7.6	22.1	\$3,380	V1G (V1)	
	25	77	20	64	CFW500F77P0T2DB20G2	Yes	F	21.6 x 11.8 x 10	57.3	\$4,150	V1G (V1)	
30	88	25	75	CFW500F88P0T2DB20G2	Yes	F	21.6 x 11.8 x 10	57.3	\$5,200	V1G (V1)		
40	105	30	88	CFW500F0105T2DB20G2	Yes	F	21.6 x 11.8 x 10	57.3	\$7,050	V1G (V1)		
50	145	40	115	CFW500G0145T2NB20G2	No	G	26.6 x 13.2 x 12.4	114.6	\$8,500	V1G (V1)		
60	180	50	145	CFW500G0180T2NB20G2	No	G	26.6 x 13.2 x 12.4	114.6	\$10,250	V1G (V1)		
75	211	60	180	CFW500G0211T2NB20G2	No	G	26.6 x 13.2 x 12.4	114.6	\$13,500	V1G (V1)		
50	145	40	115	CFW500G0145T2DB20G2	Yes	G	26.6 x 13.2 x 12.4	114.6	\$9,095	V1G (V1)		
60	180	50	145	C FW500G0180T2DB20G2	Yes	G	26.6 x 13.2 x 12.4	114.6	\$10,965	V1G (V1)		
75	211	60	180	CFW500G0211T2DB20G2	Yes	G	26.6 x 13.2 x 12.4	114.6	\$14,445	V1G (V1)		

**NOTES:**

1) ND (Normal Duty) / VT (Variable Torque): 110% Overload / 60 Sec; HD (Heavy Duty) / CT (Constant Torque): 150% Overload / 60 Sec;

2) "HP" rating based on WEG W22 motors "average FLA values". Use as a guide only.

3) Motor FLA may vary with speed and manufacturer. ALWAYS compare motor FLA to Nominal AMPS of drive.

4) Frame Size A to D are rated for 50°C.

\* Frame Size-E needs to have Firmware Version 3.7x or higher to be used as Normal Duty.

\* Frame Size-E is rated for 40°C if used as Normal Duty (ND/VT) & 50°C if used as heavy Duty (HD/CT).

Frame-F is rated for 40°C.

Frame-G is rated for 45°C.

CFW500 Frame-F & G VFDs have built in Dual DC Bus Chokes.

### CFW500 - IP20 - G2 (GENERATION-2)

#### IP20 Finger Safe Enclosure

Motor Voltage	ND / VT <sup>1</sup>		HD / CT <sup>1</sup>		Catalog Number	Braking Transistor	Frame Size <sup>4</sup>	Dimensions (in.) HxWxD	Approx. Weight (lbs.)	List Price	Multiplier New (Old)	
	Motor HP <sup>2</sup>	Drive Amps <sup>3</sup>	Motor HP <sup>2</sup>	Drive Amps <sup>3</sup>								
460 Vac / 3 Phase	<b>Input Power Supply: Three-Phase 380-480 Vac</b>											
	1/2	1.0	1/2	1.0	CFW500A01P0T4NB20G2	No	A	7.5 x 3.0 x 5.9	1.8	\$582	V1G (V1)	
	1	1.6	1	1.6	CFW500A01P6T4NB20G2	No	A	7.5 x 3.0 x 5.9	1.8	\$604	V1G (V1)	
	1 1/2	2.6	1 1/2	2.6	CFW500A02P6T4NB20G2	No	A	7.5 x 3.0 x 5.9	1.8	\$649	V1G (V1)	
	3	4.3	3	4.3	CFW500A04P3T4NB20G2	No	A	7.5 x 3.0 x 5.9	1.8	\$799	V1G (V1)	
	3	6.1	3	6.1	CFW500A06P1T4NB20G2	No	A	7.5 x 3.0 x 5.9	1.8	\$982	V1G (V1)	
	1 1/2	2.6	1 1/2	2.6	CFW500B02P6T4DB20G2	Yes	B	7.9 x 4.0 x 6.3	2.6	\$708	V1G (V1)	
	3	4.3	3	4.3	CFW500B04P3T4DB20G2	Yes	B	7.9 x 4.0 x 6.3	2.6	\$892	V1G (V1)	
	5	6.5	5	6.5	CFW500B06P5T4DB20G2	Yes	B	7.9 x 4.0 x 6.3	2.6	\$1,067	V1G (V1)	
	7 1/2	10	7 1/2	10	CFW500B10P0T4DB20G2	Yes	B	7.9 x 4.0 x 6.3	2.6	\$1,207	V1G (V1)	
	10	14	10	14	CFW500C14P0T4DB20G2	Yes	C	8.3 x 5.3 x 6.5	4.4	\$1,495	V1G (V1)	
	10	16	10	16	CFW500C16P0T4DB20G2	Yes	C	8.3 x 5.3 x 6.5	4.4	\$1,684	V1G (V1)	
	15	24	15	24	CFW500D24P0T4DB20G2	Yes	D	12.1 x 7.1 x 6.6	9.5	\$2,229	V1G (V1)	
	20/25	31	20/25	31	CFW500D31P0T4DB20G2	Yes	D	12.1 x 7.1 x 6.6	9.5	\$2,783	V1G (V1)	
	30*	45*	30	39	CFW500E39P0T4DB20G2*	Yes	E	13.8 x 8.7 x 7.6	22.1	\$3,346	V1G (V1)	
	40*	58.5*	40	49	CFW500E49P0T4DB20G2*	Yes	E	13.8 x 8.7 x 7.6	22.1	\$4,214	V1G (V1)	
	50/60	77	50	61	CFW500F77P0T4DB20G2	Yes	F	21.6 x 11.8 x 10	57.3	\$5,700	V1G (V1)	
	75	88	60	73	CFW500F88P0T4DB20G2	Yes	F	21.6 x 11.8 x 10	57.3	\$7,300	V1G (V1)	
	75	105	75	88	CFW500F105T4DB20G2	Yes	F	21.6 x 11.8 x 10	57.3	\$8,900	V1G (V1)	
	100/125	142	100	115	CFW500G0142T4NB20G2	No	G	26.6 x 13.2 x 12.4	114.6	\$10,200	V1G (V1)	
	150	180	125	142	CFW500G0180T4NB20G2	No	G	26.6 x 13.2 x 12.4	114.6	\$12,500	V1G (V1)	
	175	211	150	180	CFW500G0211T4NB20G2	No	G	26.6 x 13.2 x 12.4	114.6	\$14,500	V1G (V1)	
	100/125	142	100	115	CFW500G0142T4DB20G2	Yes	G	26.6 x 13.2 x 12.4	114.6	\$10,915	V1G (V1)	
	150	180	125	142	CFW500G0180T4DB20G2	Yes	G	26.6 x 13.2 x 12.4	114.6	\$13,375	V1G (V1)	
175	211	150	180	CFW500G0211T4DB20G2	Yes	G	26.6 x 13.2 x 12.4	114.6	\$15,515	V1G (V1)		
575 Vac / Phase <sup>5</sup>	<b>Input Power Supply: Three-Phase 500-600 Vac</b>											
	1 1/2	1.7	1 1/2	1.7	CFW500C01P7T5DB20	Yes	C	8.3 x 5.3 x 6.5	4.4	\$910	V1G (V1)	
	3	3.0	3	3.0	CFW500C03P0T5DB20	Yes	C	8.3 x 5.3 x 6.5	4.4	\$954	V1G (V1)	
	3	4.3	3	4.3	CFW500C04P3T5DB20	Yes	C	8.3 x 5.3 x 6.5	4.4	\$1,073	V1G (V1)	
	7 1/2	7.0	7 1/2	7.0	CFW500C07P0T5DB20	Yes	C	8.3 x 5.3 x 6.5	4.4	\$1,276	V1G (V1)	
	10	10.0	10	10.0	CFW500C10P0T5DB20	Yes	C	8.3 x 5.3 x 6.5	4.4	\$1,621	V1G (V1)	
	10	12.0	10	12.0	CFW500C12P0T5DB20	Yes	C	8.3 x 5.3 x 6.5	4.4	\$1,813	V1G (V1)	

**NOTES:**

- 1) ND (Normal Duty) / VT (Variable Torque): 110% Overload / 60 Sec; HD (Heavy Duty) / CT (Constant Torque): 150% Overload / 60 Sec;
- 2) "HP" rating based on WEG W22 motors "average FLA values". Use as a guide only.
- 3) Motor FLA may vary with speed and manufacturer. ALWAYS compare motor FLA to Nominal AMPS of drive.
- 4) Frame Size A to D are rated for 50°C.  
\* Frame Size-E needs to have Firmware Version 3.7x or higher to be used as Normal Duty.  
\* Frame Size-E is rated for 40°C if used as Normal Duty (ND/VT) & 50°C if used as heavy Duty (HD/CT).  
Frame-F is rated for 40°C.  
Frame-G is rated for 45°C.  
CFW500 Frame-F & G VFDs have built in Dual DC Bus Chokes.
- 5) All 575V drives are non-stocked items and are still Generation-1 drives, consult WEG for availability.

# Variable Frequency Drives



## CFW500-G2

### CFW500 - N4X/IP66 WASHDOWN VFD W/O DISCONNECT SWITCH

Motor Voltage	ND/VT <sup>1</sup>		HD/CT <sup>1</sup>		Catalog Number	Braking Transistor	Frame Size <sup>4</sup>	Dimensions (in.) HxWxD	Approx. Weight (lbs.)	List Price	Multiplier New (Old)	
	Motor HP <sup>2</sup>	Drive Amps <sup>3</sup>	Motor HP <sup>2</sup>	Drive Amps <sup>3</sup>								
230 Vac / 3 Phase	<b>Input Power Supply: Single or Three-Phase 200-240 Vac</b>											
	1/3	1.6	1/3	1.6	CFW500A01P6B2DB66G2	Yes	A	10.4 x 6.5 x 8.9	22.0	\$775	V1W (V1)	
	3/4	2.6	3/4	2.6	CFW500A02P6B2DB66G2	Yes	A	10.4 x 6.5 x 8.9	22.0	\$800	V1W (V1)	
	1 1/2	4.3	1 1/2	4.3	CFW500A04P3B2DB66G2	Yes	A	10.4 x 6.5 x 8.9	22.0	\$850	V1W (V1)	
	2	7.3	2	7.3	CFW500A07P3B2DB66G2	Yes	A	10.4 x 6.5 x 8.9	22.0	\$1,015	V1W (V1)	
	3	10	3	10	CFW500A10P0B2DB66G2	Yes	A	10.4 x 6.5 x 8.9	22.0	\$1,095	V1W (V1)	
	<b>Input Power Supply: Three-Phase 200-240 Vac</b>											
	5	16	5	16	CFW500A16P0T2DB66G2	Yes	A	10.4 x 6.5 x 8.9	22.0	\$1,350	V1W (V1)	
	7 1/2	24	7 1/2	24	CFW500B24P0T2DB66G2	Yes	B	13.4 x 8.5 x 8.9	26.5	\$1,950	V1W (V1)	
	10	28	10	28	CFW500B28P0T2DB66G2	Yes	B	13.4 x 8.5 x 8.9	26.5	\$2,275	V1W (V1)	
	10	33	10	33	CFW500B33P0T2DB66G2	Yes	B	13.4 x 8.5 x 8.9	26.5	\$2,675	V1W (V1)	
	15	47	15	47	CFW500C47P0T2DB66G2 <sup>5</sup>	Yes	C	18.7 x 12.6 x 11.4	45.0	\$3,750	V1W (V1)	
	25	70	20	56	CFW500C56P0T2DB66G2 <sup>5</sup>	Yes	C	18.7 x 12.6 x 11.4	45.0	\$4,400	V1W (V1)	
	460 Vac / 3 Phase	<b>Input Power Supply: Three-Phase 380-480 Vac</b>										
1/2		1	1/2	1	CFW500A01P0T4DB66G2	Yes	A	10.4 x 6.5 x 8.9	22.0	\$950	V1W (V1)	
1		1.6	1	1.6	CFW500A01P6T4DB66G2	Yes	A	10.4 x 6.5 x 8.9	22.0	\$975	V1W (V1)	
1 1/2		2.6	1 1/2	2.6	CFW500A02P6T4DB66G2	Yes	A	10.4 x 6.5 x 8.9	22.0	\$990	V1W (V1)	
3		4.3	3	4.3	CFW500A04P3T4DB66G2	Yes	A	10.4 x 6.5 x 8.9	22.0	\$1,175	V1W (V1)	
5		6.5	5	6.5	CFW500A06P5T4DB66G2	Yes	A	10.4 x 6.5 x 8.9	22.0	\$1,400	V1W (V1)	
7 1/2		10	7 1/2	10	CFW500A10P0T4DB66G2	Yes	A	10.4 x 6.5 x 8.9	22.0	\$1,650	V1W (V1)	
10		14	10	14	CFW500B14P0T4DB66G2	Yes	B	13.4 x 8.5 x 8.9	26.5	\$2,050	V1W (V1)	
10		16	10	16	CFW500B16P0T4DB66G2	Yes	B	13.4 x 8.5 x 8.9	26.5	\$2,275	V1W (V1)	
15		24	15	24	CFW500B24P0T4DB66G2	Yes	B	13.4 x 8.5 x 8.9	26.5	\$3,025	V1W (V1)	
25		31	25	31	CFW500B31P0T4DB66G2	Yes	B	13.4 x 8.5 x 8.9	26.5	\$3,650	V1W (V1)	
30		45	30	39	CFW500C39P0T4DB66G2 <sup>5</sup>	Yes	C	18.7 x 12.6 x 11.4	45.0	\$4,795	V1W (V1)	
50		59.2	40	49	CFW500C49P0T4DB66G2 <sup>5</sup>	Yes	C	18.7 x 12.6 x 11.4	45.0	\$6,100	V1W (V1)	
575 Vac / 3 Phase <sup>6</sup>		<b>Input Power Supply: Three-Phase 500-600 Vac</b>										
	1 1/2	1.7	1 1/2	1.7	CFW500B01P7T5DB66	Yes	B	13.4 x 8.5 x 8.9	26.5	\$1,590	V1W (V1)	
	3	3	3	3	CFW500B03P0T5DB66	Yes	B	13.4 x 8.5 x 8.9	26.5	\$1,670	V1W (V1)	
	3	4.3	3	4.3	CFW500B04P3T5DB66	Yes	B	13.4 x 8.5 x 8.9	26.5	\$1,890	V1W (V1)	
	7 1/2	7	7 1/2	7	CFW500B07P0T5DB66	Yes	B	13.4 x 8.5 x 8.9	26.5	\$2,115	V1W (V1)	
	10	10	10	10	CFW500B10P0T5DB66	Yes	B	13.4 x 8.5 x 8.9	26.5	\$2,330	V1W (V1)	
	10	12	10	12	CFW500B12P0T5DB66	Yes	B	13.4 x 8.5 x 8.9	26.5	\$2,615	V1W (V1)	

**NOTES:**

- 1) ND (Normal Duty) / VT (Variable Torque): 110% Overload / 60 Sec; HD (Heavy Duty) / CT (Constant Torque): 150% Overload / 60 Sec;
- 2) "HP" rating based on WEG W22 motors "average FLA values". Use as a guide only.
- 3) Motor FLA may vary with speed and manufacturer. ALWAYS compare motor FLA to Nominal AMPS of drive.
- 4) Frame Size A, B & C are rated for 40°C ambient temperature.
- 5) Available in 3Q of 2024.
- 6) All 575V drives are non-stocked items and are still Generation-1 drives, consult WEG for availability.



### CFW500 - N4X/IP66 WASHDOWN VFD WITH DISCONNECT SWITCH

Motor Voltage	ND/VT <sup>1</sup>		HD/CT <sup>1</sup>		Catalog Number	Braking Transistor	Frame Size <sup>4</sup>	Dimensions (in.) HxWxD	Approx. Weight (lbs.)	List Price	Multiplier New (Old)		
	Motor HP <sup>2</sup>	Drive Amps <sup>3</sup>	Motor HP <sup>2</sup>	Drive Amps <sup>3</sup>									
230 Vac / 3 Phase	<b>Input Power Supply: Single or Three-Phase 200-240 Vac</b>												
	1/3	1.6	1/3	1.6	CFW500A01P6B2DB66DSG2	Yes	A	10.4 x 6.5 x 9.9	22.0	\$895	V1W (V1)		
	3/4	2.6	3/4	2.6	CFW500A02P6B2DB66DSG2	Yes	A	10.4 x 6.5 x 9.9	22.0	\$920	V1W (V1)		
	1 1/2	4.3	1 1/2	4.3	CFW500A04P3B2DB66DSG2	Yes	A	10.4 x 6.5 x 9.9	22.0	\$980	V1W (V1)		
	2	7.3	2	7.3	CFW500A07P3B2DB66DSG2	Yes	A	10.4 x 6.5 x 9.9	22.0	\$1,170	V1W (V1)		
	3	10	3	10	CFW500A10P0B2DB66DSG2	Yes	A	10.4 x 6.5 x 9.9	22.0	\$1,255	V1W (V1)		
	<b>Input Power Supply: Three-Phase 200-240 Vac</b>												
	5	16	5	16	CFW500A16P0T2DB66DSG2	Yes	A	10.4 x 6.5 x 9.9	22.0	\$1,555	V1W (V1)		
	7 1/2	24	7 1/2	24	CFW500B24P0T2DB66DSG2	Yes	B	13.4 x 8.5 x 9.9	26.5	\$2,245	V1W (V1)		
	10	28	10	28	CFW500B28P0T2DB66DSG2	Yes	B	13.4 x 8.5 x 9.9	26.5	\$2,620	V1W (V1)		
	10	33	10	33	CFW500B33P0T2DB66DSG2	Yes	B	13.4 x 8.5 x 9.9	26.5	\$3,080	V1W (V1)		
	15	47	15	47	CFW500C47P0T2DB66DSG2 <sup>5</sup>	Yes	C	18.7 x 12.6 x 12.4	45.0	\$4,313	V1W (V1)		
	25	70	20	56	CFW500C56P0T2DB66DSG2 <sup>5</sup>	Yes	C	18.7 x 12.6 x 12.4	45.0	\$5,060	V1W (V1)		
	460 Vac / 3 Phase	<b>Input Power Supply: Three-Phase 380-480 Vac</b>											
		1/2	1	1/2	1	CFW500A01P0T4DB66DSG2	Yes	A	10.4 x 6.5 x 9.9	22.0	\$1,095	V1W (V1)	
1		1.6	1	1.6	CFW500A01P6T4DB66DSG2	Yes	A	10.4 x 6.5 x 9.9	22.0	\$1,125	V1W (V1)		
1 1/2		2.6	1 1/2	2.6	CFW500A02P6T4DB66DSG2	Yes	A	10.4 x 6.5 x 9.9	22.0	\$1,140	V1W (V1)		
3		4.3	3	4.3	CFW500A04P3T4DB66DSG2	Yes	A	10.4 x 6.5 x 9.9	22.0	\$1,350	V1W (V1)		
5		6.5	5	6.5	CFW500A06P5T4DB66DSG2	Yes	A	10.4 x 6.5 x 9.9	22.0	\$1,610	V1W (V1)		
7 1/2		10	7 1/2	10	CFW500A10P0T4DB66DSG2	Yes	A	10.4 x 6.5 x 9.9	22.0	\$1,900	V1W (V1)		
10		14	10	14	CFW500B14P0T4DB66DSG2	Yes	B	13.4 x 8.5 x 9.9	26.5	\$2,360	V1W (V1)		
10		16	10	16	CFW500B16P0T4DB66DSG2	Yes	B	13.4 x 8.5 x 9.9	26.5	\$2,620	V1W (V1)		
15		24	15	24	CFW500B24P0T4DB66DSG2	Yes	B	13.4 x 8.5 x 9.9	26.5	\$3,480	V1W (V1)		
25		31	25	31	CFW500B31P0T4DB66DSG2	Yes	B	13.4 x 8.5 x 9.9	26.5	\$4,200	V1W (V1)		
30		45	30	39	CFW500C39P0T4DB66DSG2 <sup>5</sup>	Yes	C	18.7 x 12.6 x 12.4	45.0	\$5,514	V1W (V1)		
50		59.2	40	49	CFW500C49P0T4DB66DSG2 <sup>5</sup>	Yes	C	18.7 x 12.6 x 12.4	45.0	\$7,015	V1W (V1)		
575 Vac / 3 Phase <sup>6</sup>	<b>Input Power Supply: Three-Phase 500-600 Vac</b>												
	1 1/2	1.7	1 1/2	1.7	CFW500B01P7T5DB66DS	Yes	B	13.4 x 8.5 x 9.9	26.5	\$1,830	V1W (V1)		
	3	3	3	3	CFW500B03P0T5DB66DS	Yes	B	13.4 x 8.5 x 9.9	26.5	\$1,925	V1W (V1)		
	3	4.3	3	4.3	CFW500B04P3T5DB66DS	Yes	B	13.4 x 8.5 x 9.9	26.5	\$2,175	V1W (V1)		
	7 1/2	7	7 1/2	7	CFW500B07P0T5DB66DS	Yes	B	13.4 x 8.5 x 9.9	26.5	\$2,435	V1W (V1)		
	10	10	10	10	CFW500B10P0T5DB66DS	Yes	B	13.4 x 8.5 x 9.9	26.5	\$2,680	V1W (V1)		
10	12	10	12	CFW500B12P0T5DB66DS	Yes	B	13.4 x 8.5 x 9.9	26.5	\$3,005	V1W (V1)			

**NOTES:**

- 1) ND (Normal Duty) / VT (Variable Torque): 110% Overload / 60 Sec; HD (Heavy Duty) / CT (Constant Torque): 150% Overload / 60 Sec;
- 2) "HP" rating based on WEG W22 motors "average FLA values". Use as a guide only.
- 3) Motor FLA may vary with speed and manufacturer. ALWAYS compare motor FLA to Nominal AMPS of drive.
- 4) Frame Size A, B & C are rated for 40°C ambient temperature.
- 5) Available in 3Q of 2024.
- 6) All 575V drives are non-stocked items and are still Generation-1 drives, consult WEG for availability.

## CFW500-G2

### Options and Accessories

Type	Catalog Number	Description	Apprx. Shpg. Wt. (lbs.)	List Price	Multiplie New (Old)
I/O	<b>CFW500-IOS</b> <sup>1</sup>	CFW500 I/O Module; 4 DI, 1 AI, 1 AO, 1 DOR, 1 DOT, 1 RS485, 10vdc, 24vdc	0.2	\$110	V1G (V1)
I/O	<b>CFW500-IOD</b>	CFW500 I/O Module; 8 DI, 1 AI, 1 AO, 1 DOR, 4 DOT, 1 RS485, 10vdc, 24vdc	0.2	\$141	V1G (V1)
I/O	<b>CFW500-IOAD</b>	CFW500 I/O Module; 6 DI, 3 AI, 2 AO, 1 DOR, 3 DOT, 1 RS485, 10vdc, 24vdc	0.2	\$182	V1G (V1)
I/O	<b>CFW500-IOR-B</b>	CFW500 I/O Module; 5 DI, 1 AI, 1 AO, 4 DOR, 1 DOT, 1 RS485, 10vdc, 24vdc	0.2	\$125	V1G (V1)
Encoder Input	<b>CFW500-ENC</b>	CFW500 Encoder Module; Quad Input A & B, 1 RS485, 5 DI, 1 AI, 1 AO, 3 DOR, 1 DOT, 24vdc	0.2	\$210	V1G (V1)
USB Card	<b>CFW500-CUSB</b>	CFW500 Comm. Module; 1 USB, 1 RS485, 4 DI, 1 AI, 1 AO, 1 DOR, 1 DOT, 10vdc, 24vdc	0.2	\$210	V1G (V1)
RS232 Card	<b>CFW500-CRS232</b>	CFW500 Comm. Module; 1 RS232, 1 RS485, 4 DI, 1 AI, 1 AO, 1 DOR, 1 DOT, 24vdc	0.2	\$138	V1G (V1)
RS485 Card	<b>CFW500-CRS485-B</b>	CFW500 Comm. Module; 2 RS485, 4 DI, 2 AI, 1 AO, 2 DOR, 1 DOT, 10vdc, 24vdc	0.2	\$143	V1G (V1)
CANopen Card	<b>CFW500-CCAN</b>	CFW500 Comm. Module; 1 CAN/DeviceNet, 1 RS485, 2 DI, 1 AI, 1 AO, 1 DOR, 1 DOT, 10vdc, 24vdc	0.2	\$138	V1G (V1)
Profibus DP Card	<b>CFW500-CPDP</b>	CFW500 Comm. Module; 2 DI, 1 AI, 1 AO, 1 DOR, 1 DOT, 1 Profibus DP, 1 RS485, 24vdc (DB9 connector)	0.2	\$405	V1G (V1)
Profibus DP & DP-V1 Module	<b>CFW500-CPDP2</b>	CFW500 Comm. Module; 1-Profibus DP & DP-V1 100BASE TX RJ-45 Port, 1-RS485, 2-DI, 1-AI, 1-AO, 1-DOR, 1-DOT, 24vdc (Terminal Block Connector)	0.2	\$445	V1G (V1)
Modbus TCP Comm. Module	<b>CFW500-CEMB-TCP</b>	CFW500 Comm. Module; 1-Modbus TCP 100BASE TX RJ-45 Port, 1-RS485, 2-DI, 1-AI, 1-AO, 1-DOR, 1-DOT, 24vdc	0.2	\$499	V1G (V1)
ProfiNet I/O Comm. Module	<b>CFW500-CEPN-IO</b>	CFW500 Comm. Module; 1-ProfiNet I/O 100BASE TX RJ-45 Port, 1-RS485, 2-DI, 1-AI, 1-AO, 1-DOR, 1-DOT, 24vdc	0.2	\$499	V1G (V1)
EtherNet IP Comm. Module	<b>CFW500-CETH-IP</b>	CFW500 Comm. Module; 2-DI, 1-AI, 1-AO, 1-DOR, 1-DOT, 1-RS485, 1-EtherNet IP 100BASE TX RJ-45 Port, 24vdc	0.2	\$499	V1G (V1)
Dual Port Ethernet Module (Ethernet/IP or Modbus TCP)	<b>CFW500-CETH2</b>	CFW500 Dual Port Comm. Module: 2-DI, 1-AI, 1-DOR, 1-RS485, 2-EtherNet 100BASE TX RJ-45 Ports. <b>Note: The module will require external 24vdc power to use 1-DOT. The CFW500-G2 drive must have FM V3.9x or above to use this module.</b>	0.3	\$575	V1G (V1)
STO Module	<b>CFW500-SFY2</b> <sup>2</sup>	CFW500 Safety Function Module; Safe Torque Off (STO) / Stop Category 0, Safe Stop 1 Time Controlled (SS1-t) / Stop Category 1; Safety Category: SIL 3, PL e	1.8	\$140	V1G (V1)
STO Module Plug	<b>CFW50X-STO-JMP</b>	CFW50x STO module plug	0.2	\$12	PTD
Flash Memory Module	<b>CFW500-MMF</b>	CFW500 Flash Memory Module for saving and reloading program and parameters to / from the drive.	0.2	\$189	V1G (V1)
Remote Keypad – Non Text	<b>CFW500-HMIR</b> <sup>3</sup>	CFW500 Remote non-text Keypad for mounting through enclosure door (Mounting Frame Kit is not required).	0.6	\$169	V1G (V1)
Remote Keypad – Advanced Text	<b>HMI-01</b> <sup>4</sup>	CFW500 Remote Advanced Text Keypad for mounting through enclosure door (Mounting Frame Kit is required).	0.4	\$205	V1G (V1)
Remote Keypad – Advanced Text Frame Kit	<b>CFW500-RHMIF</b>	CFW500 Remote Advanced Text Keypad enclosure door mounting frame kit	0.5	\$25	V1G (V1)
HMI Cable 1M	<b>CFW500-CCHMIR01M</b>	3.3 ft (1 meter) Remote Keypad Cable	0.5	\$23	V1G (V1)
HMI Cable 2M	<b>CFW500-CCHMIR02M</b>	6.6 ft (2 meter) Remote Keypad Cable	0.7	\$31	V1G (V1)
HMI Cable 3M	<b>CFW500-CCHMIR03M</b>	9.9 ft (3 meter) Remote Keypad Cable	1.0	\$41	V1G (V1)
HMI Cable 5M	<b>CFW500-CCHMIR05M</b>	16 ft (5 meter) Remote Keypad Cable	1.2	\$51	V1G (V1)
HMI Cable 7.5M	<b>CFW500-CCHMIR075M</b>	25 ft (7.5 meter) Remote Keypad Cable	1.5	\$61	V1G (V1)
HMI Cable 10M	<b>CFW500-CCHMIR010M</b>	33 ft (10 meter) Remote Keypad Cable	2.0	\$72	V1G (V1)
NEMA1 Conduit Kit	<b>CFW500-KN1A</b>	NEMA 1 kit – Frame Size A	2.0	\$28	V1G (V1)
NEMA1 Conduit Kit	<b>CFW500-KN1B</b>	NEMA 1 kit – Frame Size B	3.0	\$33	V1G (V1)
NEMA1 Conduit Kit	<b>CFW500-KN1C</b>	NEMA 1 kit – Frame Size C	3.0	\$44	V1G (V1)
NEMA1 Conduit Kit	<b>CFW500-KN1D</b>	NEMA 1 kit – Frame Size D	3.0	\$59	V1G (V1)
NEMA1 Conduit Kit	<b>CFW500-KN1E</b>	NEMA 1 kit – Frame Size E	6.0	\$64	V1G (V1)
NEMA1 Conduit Kit	<b>CFW500-KN1F</b>	NEMA 1 kit – Frame Size F	12.0	\$165	V1G (V1)
NEMA1 Conduit Kit	<b>CFW500-KN1G</b>	NEMA 1 kit – Frame Size G	17.0	\$215	V1G (V1)
Cable Shield Clamp Kit	<b>CFW500-KPCSA</b>	Cable Shield Clamp Kit for Frame A	1.0	\$41	V1G (V1)
Cable Shield Clamp Kit	<b>CFW500-KPCSB</b>	Cable Shield Clamp Kit for Frame B	1.0	\$44	V1G (V1)
Cable Shield Clamp Kit	<b>CFW500-KPCSC</b>	Cable Shield Clamp Kit for Frame C	1.1	\$46	V1G (V1)
Cable Shield Clamp Kit	<b>CFW500-KPCSD</b>	Cable Shield Clamp Kit for Frame D	1.1	\$51	V1G (V1)
Cable Shield Clamp Kit	<b>CFW500-KPCSE</b>	Cable Shield Clamp Kit for Frame E	6.0	\$64	V1G (V1)
Cable Shield Clamp Kit	<b>CFW500-KPCSF</b>	Cable Shield Clamp Kit for Frame F	15.0	\$140	V1G (V1)
Cable Shield Clamp Kit	<b>CFW500-KPCSG</b>	Cable Shield Clamp Kit for Frame G	18.0	\$180	V1G (V1)
CFW500 Demo Suitcase	<b>CFW500-DEMO-BLK</b>	CFW500 Black Demo Suitcase with Remote Text keypad and STO Module	45.0	\$5,585	V1G (V1)

**NOTES:**

- 1) The "CFW500-IOS" module is included as standard with CFW500-IP20 & IP66 Drives.
- 2) The "CFW500-SFY2" Module can be installed in the CFW500-IP20 & IP66 drives in addition to the "CFW500-IOS" or any other I/O or communication module. The "CFW500-SFY2" module only works with 230V & 460VAC, CFW500-G2 (Generation-2) drives. For CFW500-IP20, Frame-A to E VFDs, the NEMA1 Kit top cover to protect the VFD from falling dust can not be used if the "CFW500-SFY2" is installed on the drive.
- 3) The "CFW500-HMIR" Remote Keypad (Non-Text) requires Qty. (1) CFW500-CCHIR0xM cable. ("x" represents the cable length in meters)
- 4) The "HMI-01" remote Keypad (Advanced Text) requires Qty. (1) CFW500-RHMIF & Qty. (1) CFW500-CCHIR0xM cable. ("x" represents the cable length in meters). This keypad only works with 230VAC & 460VAC, CFW500-G2 (Generation-2) drives.

### Option Card I/O Table

CFW500 Option Module	DI <sup>1</sup>	AI	AO	DOR	DOT	Infrared	Encoder	USB	RS232	RS485	CANopen / DeviceNet	Profibus-DP / DP V1	Modbus TCP	ProfiNet I/O	EtherNet I/P
CFW500-IOS <sup>1</sup>	4	1	1	1	1					1					
CFW500-IOD	8	1	1	1	4					1					
CFW500-IOAD	6	3	2	1	3					1					
CFW500-IOR / CFW500-IOR-B	5	1	1	4	1	1				1					
CFW500-ENC	5	1	1	3	1		1			1					
CFW500-CUSB	4	1	1	1	1			1		1					
CFW500-CRS232	4	1	1	1	1				1	1					
CFW500-CRS485-B	4	2	1	2	1					2					
CFW500-CCAN	2	1	1	1	1					1	1				
CFW500-CPDP	2	1	1	1	1					1		1			
CFW500-CPDP2	2	1	1	1	1					1		1			
CFW500-CEMB-TCP	2	1	1	1	1					1			1		
CFW500-CEPN-IO	2	1	1	1	1					1				1	
CFW500-CETH-IP	2	1	1	1	1					1					1
CFW500-CETH2	2	1			1					1			1		1

**NOTES:**

1) The CFW500 VFD comes standard with "CFW500-IOS" Module. To use any of the above listed optional module, the CFW500-IOS module needs to be removed from the drive. In that case, the number of I/Os will depend on the I/O or communication module being used.

## CFW500-G2

### Technical Data

Power rating	Power supply	Tolerance: -15 to +10%	
		Frequency: 50/60 Hz (48 Hz to 62 Hz)	
		Phase imbalance: ≤3% of the rated phase-phase input voltage	
		Transient voltages and overvoltages according to Category III (EN 61010/UL 508C)	
		Maximum of 10 (line) connections per hour (1 every 6 minutes)	
		Typical efficiency: ≥97%	
Control	Method	V/F (scalar) VW: voltage vector control Vector without encoder (sensorless) and closed loop vector with encoder PM VW: voltage vector control for permanent magnet motors	
	Output frequency	0 to 500 Hz, resolution of 0.015 Hz	
Performance	V/F Control	Speed regulation: 1% of the rated speed (with slip compensation) Speed variation range: 1:20	
	Vector control (VWV)	Speed regulation: 1% of the rated speed Speed variation range: 1:30	
	Sensorless	Speed regulation: 0.5% of the rated speed Speed variation range: 1:100	
	Vector control with Encoder	Speed regulation: 0.1% of the rated speed Speed variation range: 1:100	
	PM VWV Control	Regulation: 0.1 % of the rated speed Speed variation range: 1:20	
Environment conditions	Temperature around the CFW500	14°F to 122°F (-10 °C to 50 °C) - IP20 (sizes A to E) 14°F to 104°F (-10 °C to 40 °C) - IP20 (sizes A to E) when installed side by side 14°F to 104°F (-10 °C to 40 °C) - NEMA 1 (sizes A to E) 14°F to 104°F (-10 °C to 40 °C) - IP20, NEMA 1 (size F) 14°F to 113°F (-10 °C to 45 °C) - IP20, NEMA 1 (size G) 14°F to 104°F (-10 °C to 40 °C) - IP66 (sizes A & B) For CFW500-IP20-Frame A to E & CFW500-IP66-Frame A & B, when operating temperatures are above the specification, it is necessary to apply 2% of current derating for each Celsius degree (°C), limited to an increase of 10 °C. For CFW500-IP20-Frame F & G, when operating temperatures are above the specification, it is necessary to apply 1% of current derating for each Celsius degree (°C) up to 50 °C, and 2% up to 60 °C (maximum).	
		Aggressive environments	Protection Class 3C2 - Standard coating on the internal circuits, according to IEC 60721-3-3 (standard model)
		Air relative humidity	Protection Class 3C3 - Extra coating - optional, according to IEC 60721-3-3 (optional)
		Altitude	5% to 95% non-condensing
		Pollution degree	Up to 1,000 m (maximum altitude under normal conditions) 1,000 to 4,000 m: current derating of 1% for each 100 m above 1,000 m of altitude
			2 (EN 50178 and UL 508C), with non-conductive pollution Condensation must not cause conduction of the accumulated residues
Inputs <sup>1)</sup>	Analog	1 isolated input. Levels: (0 to 10) V or (0 to 20) mA or (4 to 20) mA Linearity error ≤0.25% Impedance: 100 kΩ for voltage input, 500 Ω for current input Programmable functions, including PTC input Maximum voltage accepted in the inputs: 30 V dc	
	Digital	4 isolated inputs Programmable functions: Active high (PNP): maximum low level of 15 V dc; minimum high level of 20 V dc Active low (NPN): maximum low level of 5 V dc; minimum high level of 9 V dc Maximum input voltage of 30 V dc Input current: 4.5 mA Maximum input current: 5.5 mA	
Outputs <sup>1)</sup>	Analog	1 isolated output. Levels (0 to 10) V or (0 to 20) mA or (4 to 20) mA Linearity error ≤0.25% Programmable functions RL ≥10 kΩ (0 to 10 V) or RL ≤500 Ω (0 to 20 mA / 4 to 20 mA)	
	Relay	1 relay with NO/NC contact Maximum voltage: 240 V ac Maximum current of 0.5 A Programmable functions	
	Transistor	1 isolated open sink digital output (using as reference the 24 V dc power supply) Maximum current of 150 mA (maximum capacity of the 24 V dc power supply) <sup>2)</sup> Programmable functions	
	Power supply	24 V dc power supply. Maximum capacity: 150 mA <sup>2)</sup> Power supply of 10 V dc. Maximum capacity: 2 mA	
Communication	Selectable plug-in	Standard Communication: One RS485 (Modbus RTU / BACnet) Port. Optional: CANopen, DeviceNet, Profibus-DP, EtherNet/IP, Modbus-TCP, PROFINET IO, USB, RS485 (two Ports) and RS232 port	
Safety	Protection	Phase-phase overcurrent/short circuit in the output Phase-ground overcurrent/short circuit in the output Undervoltage/overvoltage in the power Overtemperature of the heatsink Motor overload Overload on the power module (IGBTs) External fault / alarm Programming error	
Operating interface (keypad)	Standard (built in the CFW500)	9 keys: Run/Stop, Increment, Decrement, Direction of rotation, Jog, Local/Remote, Back/Esc and Enter/Menu LCD Display It allows accessing/changing all the parameters Accuracy of the indications: Current: 5% of the rated current Speed resolution: 0.1 Hz	
Protection degree	IP20	Sizes A, B, C, D, E, F and G	
	NEMA1	Sizes A, B, C, D, E, F and G with NEMA1 kit	
	IP66/NEMA4X (Indoor/Outdoor)	Sizes A and B	

#### NOTES:

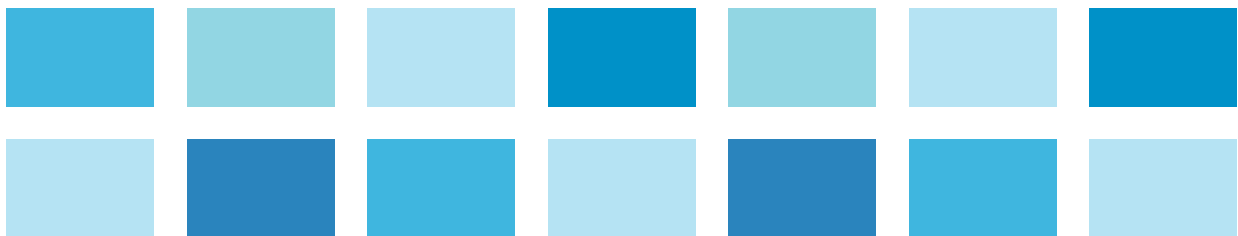
1) The number and/or types of analog/digital inputs/outputs may vary according to the plug-in module (accessory) used. In the table above, the standard plug-in module (CFW500-IOS) was taken into account. For further information, refer to the CFW500 user manual.

2) The maximum capacity of 150 mA considers the load of the 24 V power supply plus the transistor output, that is, the sum of the consumption of both must not exceed 150 mA.



### Standards

Standards	Safety standards	UL 508C - Power conversion equipment	
		UL 840 - Insulation coordination including clearances and creepage distances for electrical equipment	
		EN 61800-5-1 - Safety requirements electrical, thermal and energy	
		EN 50178 - Electronic equipment for use in power installations	
		EN 60204-1 - Safety of machinery. Electrical equipment of machines. Part 1: general requirements Note: In order to have a machine in accordance with this standard, the manufacturer of the machine is responsible for installing an emergency stop device and a device for disconnection from the power line	
		EN 60146 (IEC 146) - Semiconductor converters	
		EN 61800-2 - Adjustable speed electrical power drive systems - Part 2: general requirements - Rating specifications for low voltage adjustable frequency AC power drive systems	
	Electromagnetic compatibility standards	EN 61800-3 - Adjustable speed electrical power drive systems - Part 3: EMC product standard including specific test methods	
		EN 55011 - Limits and methods of measurement of radio disturbance characteristics of industrial, scientific and medical (ISM) radio-frequency equipment	
		CISPR 11 - Industrial, scientific and medical (ISM) radio-frequency equipment - Electromagnetic disturbance characteristics - Limits and methods of measurement	
		EN 61000-4-2 - Electromagnetic compatibility (EMC) - Part 4: testing and measurement techniques - Section 2: electrostatic discharge immunity test	
		EN 61000-4-3 - Electromagnetic compatibility - Part 4: testing and measurement techniques - Section 3: radiated, radio-frequency, electromagnetic field immunity test	
		EN 61000-4-4 - Electromagnetic compatibility - Part 4: testing and measurement techniques - Section 4: electrical fast transient/burst immunity test	
		EN 61000-4-5 - Electromagnetic compatibility - Part 4: testing and measurement techniques - Section 5: surge immunity test	
	Mechanical construction standards	EN 61000-4-6 - Electromagnetic compatibility - Part 4: testing and measurement techniques - Section 6: immunity to conducted disturbances, induced by radio-frequency fields	
		EN 60529 - Degrees of protection provided by enclosures (IP code)	
		UL 50 - Enclosures for electrical equipment	
			IEC60721-3-3 - Classification of environmental conditions - part 3: classification of groups of environmental parameters and their severities - Section 3: stationary use at weather protected locations level 3M4.



# Variable Frequency Drives



## Dynamic Braking Resistors for CFW500-G2

### CFW500-G2-IP20

### Dynamic Braking Resistors - 100% Braking Torque at 20% Duty Cycle (12 Seconds Max. Braking Time) - NEMA1 Enclosure

Motor Voltage	Motor HP (ND)	CFW500 Catalog Number	Braking Resistor Catalog Number	Rated Ohms	Rated Watts	Dimensions (in.) HxWxD <sup>1</sup>	List Price	Multiplier New (Old)
230 Vac	2	CFW500B07P3B2DB20G2	CFDB2-63-448	63	500	5 x 12 x 7	\$825	GA (V1)
	3	CFW500B10P0B2DB20G2	CFDB2-38-746	38	920	5 x 12 x 10	\$1,025	GA (V1)
	5	CFW500B16P0T2DB20G2	CFDB2-26-1119	26	1,170	5 x 12 x 13	\$1,225	GA (V1)
	7 1/2	CFW500C24P0T2DB20G2	CFDB2-19-1492	19	1,676	5 x 12 x 16	\$1,430	GA (V1)
	10	CFW500D28P0T2DB20G2	CFDB2-13-2238	12.6	2,580	5 x 19 x 10	\$1,775	GA (V1)
	10	CFW500D33P0T2DB20G2	CFDB2-10-2984	9.6	3,387	5 x 19 x 10	\$1,775	GA (V1)
	15	CFW500D47P0T2DB20G2	CFDB2-10-2984	9.6	3,387	5 x 19 x 10	\$1,775	GA (V1)
	25	CFW500E56P0T2DB20G2	CFDB2-7-4476	6.3	5,001	5 x 26.5 x 13	\$2,780	GA (V1)
	25	CFW500F77P0T2DB20G2	CFDB2-8-3730	7.5	4,214	5 x 19 x 13	\$2,150	GA (V1)
	30	CFW500F88P0T2DB20G2	CFDB2-8-3730	7.5	4,214	5 x 19 x 13	\$2,150	GA (V1)
	40	CFW500F0105T2DB20G2	CFDB2-5-5968	4.9	6,590	5 x 26.5 x 16	\$3,510	GA (V1)
	50	CFW500G0145T2DB20G2	CFDB2-3-11190	2.7	12,150	10 x 28 x 13	\$6,010	GA (V1)
	60	CFW500G0180T2DB20G2	CFDB2-3-11190	2.7	12,150	10 x 28 x 13	\$6,010	GA (V1)
	75	CFW500G0211T2DB20G2	CFDB2-3-11190	2.7	12,150	10 x 28 x 13	\$6,010	GA (V1)
460 Vac	2	CFW500B02P6T4DB20G2	CFDB2-150-746	150	843	5 x 12 x 10	\$1,025	GA (V1)
	3	CFW500B04P3T4DB20G2	CFDB2-150-746	150	843	5 x 12 x 10	\$1,025	GA (V1)
	5	CFW500B06P5T4DB20G2	CFDB2-150-746	150	843	5 x 12 x 10	\$1,025	GA (V1)
	7 1/2	CFW500B10P0T4DB20G2	CFDB2-75-1492	75	1,815	5 x 12 x 16	\$1,430	GA (V1)
	10	CFW500C14P0T4DB20G2	CFDB2-50-2238	50	2,560	5 x 19 x 13	\$1,965	GA (V1)
	10	CFW500C16P0T4DB20G2	CFDB2-50-2238	50	2,560	5 x 19 x 13	\$1,965	GA (V1)
	15	CFW500D24P0T4DB20G2	CFDB2-25-4476	25	5,120	5 x 26.5 x 13	\$2,700	GA (V1)
	20	CFW500D31P0T4DB20G2	CFDB2-19-5968	19	6,703	5 x 26.5 x 16	\$3,155	GA (V1)
	25/30	CFW500E39P0T4DB20G2	CFDB2-10-11190	10	12,800	10 x 28 x 16	\$6,050	GA (V1)
	40	CFW500E49P0T4DB20G2	CFDB2-10-11190	10	12,800	10 x 28 x 16	\$6,050	GA (V1)
	50/60	CFW500F77P0T4DB20G2	CFDB2-15-8952	15	10,002	10 x 28 x 13	\$4,635	GA (V1)
	60/75	CFW500F88P0T4DB20G2	CFDB2-15-8952	15	10,002	10 x 28 x 13	\$4,635	GA (V1)
	75	CFW500F0105T4DB20G2	CFDB2-10-11190	10	12,800	10 x 28 x 16	\$6,050	GA (V1)
	100/125	CFW500G0142T4DB20G2	CFDB2-5-22380	5	25,600	24 x 30 x 18	\$12,655	GA (V1)
150	CFW500G0180T4DB20G2	CFDB2-5-22380	5	25,600	24 x 30 x 18	\$12,655	GA (V1)	
175	CFW500G0211T4DB20G2	CFDB2-5-22380	5	25,600	24 x 30 x 18	\$12,655	GA (V1)	

**NOTES:**

1) Dimensions are provided for estimating purposes only.



### CFW500-G2-IP20

Dynamic Braking Resistors - 100% Braking Torque at 50% Duty Cycle (30 Seconds Max. Braking Time) - NEMA1 Enclosure

Motor Voltage	Motor HP (ND)	CFW500 Catalog Number	Braking Resistor Catalog Number	Rated Ohms	Rated Watts	Dimensions (in.) HxWxD <sup>1</sup>	List Price	Multiplier New (Old)
230 Vac	2	CFW500B07P3B2DB20G2	CFDB5-63-1119	63	1,250	5 x 12 x 10	\$1,225	GA (V1)
	3	CFW500B10P0B2DB20G2	CFDB5-38-1865	38	2,299	5 x 19 x 13	\$1,965	GA (V1)
	5	CFW500B16P0T2DB20G2	CFDB5-26-2798	26	2,925	5 x 26.5 x 13	\$2,700	GA (V1)
	7 1/2	CFW500C24P0T2DB20G2	CFDB5-19-3730	19	4,190	5 x 26.5 x 13	\$2,700	GA (V1)
	10	CFW500D28P0T2DB20G2	CFDB5-13-5595	12.6	6,451	5 x 26.5 x 16	\$3,155	GA (V1)
	10	CFW500D33P0T2DB20G2	CFDB5-10-7460	9.6	8,467	10 x 28 x 13	\$4,990	GA (V1)
	15	CFW500D47P0T2DB20G2	CFDB5-10-7460	9.6	8,467	10 x 28 x 13	\$4,990	GA (V1)
	25	CFW500E56P0T2DB20G2	CFDB5-7-11190	6.3	12,502	10 x 28 x 16	\$5,620	GA (V1)
	25	CFW500F77P0T2DB20G2	CFDB5-8-9325	7.5	10,534	10 x 28 x 13	\$4,990	GA (V1)
	30	CFW500F88P0T2DB20G2	CFDB5-8-9325	7.5	10,534	10 x 28 x 13	\$4,990	GA (V1)
	40	CFW500F0105T2DB20G2	CFDB5-4-18650	3.9	19,500	24 x 30 x 18	\$11,025	GA (V1)
	50	CFW500G0145T2DB20G2	CFDB5-3-27975	2.7	30,375	32 x 30 x 18	\$16,420	GA (V1)
	60	CFW500G0180T2DB20G2	CFDB5-3-27975	2.7	30,375	32 x 30 x 18	\$16,420	GA (V1)
	75	CFW500G0211T2DB20G2	CFDB5-3-27975	2.7	30,375	32 x 30 x 18	\$16,420	GA (V1)
460 Vac	2	CFW500B02P6T4DB20G2	CFDB5-150-1865	150	2,107	5 x 19 x 13	\$1,840	GA (V1)
	3	CFW500B04P3T4DB20G2	CFDB5-150-1865	150	2,107	5 x 19 x 13	\$1,840	GA (V1)
	5	CFW500B06P5T4DB20G2	CFDB5-150-1865	150	2,107	5 x 19 x 13	\$1,840	GA (V1)
	7 1/2	CFW500B10P0T4DB20G2	CFDB5-75-3730	75	4,538	5 x 26.5 x 16	\$3,155	GA (V1)
	10	CFW500C14P0T4DB20G2	CFDB5-38-7460	38	8,379	10 x 28 x 13	\$4,555	GA (V1)
	10	CFW500C16P0T4DB20G2	CFDB5-38-7460	38	8,379	10 x 28 x 13	\$4,555	GA (V1)
	15	CFW500D24P0T4DB20G2	CFDB5-30-9325	30	10,935	10 x 28 x 16	\$5,050	GA (V1)
	20	CFW500D31P0T4DB20G2	CFDB5-25-11190	25	12,800	10 x 28 x 16	\$5,425	GA (V1)
	25/30	CFW500E39P0T4DB20G2	CFDB5-10-27975	10	32,000	32 x 30 x 18	\$15,605	GA (V1)
	40	CFW500E49P0T4DB20G2	CFDB5-10-27975	10	32,000	32 x 30 x 18	\$15,605	GA (V1)
	50/60	CFW500F77P0T4DB20G2	CFDB5-15-22380	15	25,005	24 x 30 x 18	\$10,865	GA (V1)
	60/75	CFW500F88P0T4DB20G2	CFDB5-15-22380	15	25,005	24 x 30 x 18	\$10,865	GA (V1)
	75	CFW500F0105T4DB20G2	CFDB5-8-46625	8	50,700	32 x 30 x 18	\$20,600	GA (V1)
	100/125	CFW500G0142T4DB20G2	CFDB5-5-74600	5	83,790	72 x 30 x 18	\$33,780	GA (V1)
150	CFW500G0180T4DB20G2	CFDB5-5-74600	5	83,790	72 x 30 x 18	\$33,780	GA (V1)	
175	CFW500G0211T4DB20G2	CFDB5-5-74600	5	83,790	72 x 30 x 18	\$33,780	GA (V1)	

NOTES:

1) Dimensions are provided for estimating purposes only.

# Variable Frequency Drives



## Dynamic Braking Resistors for CFW500-G2

### CFW500-G2-N4X (IP66)

### Dynamic Braking Resistors - 100% Braking Torque at 20% Duty Cycle (12 Seconds Max. Braking Time) - NEMA1 Enclosure

Motor Voltage	Motor HP (ND)	CFW500 Catalog Number	Braking Resistor Catalog Number	Rated Ohms	Rated Watts	Dimensions (in.) HxWxD <sup>1</sup>	List Price	Multiplier New (Old)
230 Vac	1/3	CFW500A01P6B2DB66(DS)G2	CFDB2-190-149	190	167	5 x 12 x 5	\$525	GA (V1)
	3/4	CFW500A02P6B2DB66(DS)G2	CFDB2-190-149	190	167	5 x 12 x 5	\$525	GA (V1)
	1 1/2	CFW500A04P3B2DB66(DS)G2	CFDB2-190-149	190	167	5 x 12 x 5	\$525	GA (V1)
	2	CFW500A07P3B2DB66(DS)G2	CFDB2-63-448	63	500	5 x 12 x 7	\$825	GA (V1)
	3	CFW500A10P0B2DB66(DS)G2	CFDB2-38-746	38	920	5 x 12 x 10	\$1,025	GA (V1)
	5	CFW500A16P0T2DB66(DS)G2	CFDB2-26-1119	26	1,170	5 x 12 x 13	\$1,225	GA (V1)
	7 1/2	CFW500B24P0T2DB66(DS)G2	CFDB2-19-1492	19	1,676	5 x 12 x 16	\$1,430	GA (V1)
	10	CFW500B28P0T2DB66(DS)G2	CFDB2-13-2238	12.6	2,580	5 x 19 x 10	\$1,775	GA (V1)
	10	CFW500B33P0T2DB66(DS)G2	CFDB2-10-2984	9.6	3,387	5 x 19 x 10	\$1,775	GA (V1)
	15	CFW500C47P0T2DB66(DS)G2	CFDB2-10-2984	9.6	3387	5 x 19 x 10	\$1,775	GA (V1)
	25	CFW500C56P0T2DB66(DS)G2	CFDB2-7-4476	6.3	5000	5 x 26.5 x 13	\$2,780	GA (V1)
460 Vac	1/2	CFW500A01P0T4DB66(DS)G2	CFDB2-150-746	150	843	5 x 12 x 10	\$1,025	GA (V1)
	1	CFW500A01P6T4DB66(DS)G2	CFDB2-150-746	150	843	5 x 12 x 10	\$1,025	GA (V1)
	2	CFW500A02P6T4DB66(DS)G2	CFDB2-150-746	150	843	5 x 12 x 10	\$1,025	GA (V1)
	3	CFW500A04P3T4DB66(DS)G2	CFDB2-150-746	150	843	5 x 12 x 10	\$1,025	GA (V1)
	5	CFW 500A06P5T4DB66(DS)G2	CFDB2-150-746	150	843	5 x 12 x 10	\$1,025	GA (V1)
	7 1/2	CFW500A10P0T4DB66(DS)G2	CFDB2-75-1492	75	1,815	5 x 12 x 16	\$1,430	GA (V1)
	10	CFW500B14P0T4DB66(DS)G2	CFDB2-50-2238	50	2,560	5 x 19 x 13	\$1,965	GA (V1)
	10	CFW500B16P0T4DB66(DS)G2	CFDB2-50-2238	50	2,560	5 x 19 x 13	\$1,965	GA (V1)
	15	CFW500B24P0T4DB66(DS)G2	CFDB2-25-4476	25	5,120	5 x 26.5 x 13	\$2,700	GA (V1)
	25	CFW500B31P0T4DB66(DS)G2	CFDB2-19-5968	19	6,703	5 x 26.5 x 16	\$3,155	GA (V1)
	30	CFW500C39P0T4DB66(DS)G2	CFDB2-10-11190	10	12,800	10 x 28 x 16	\$6,050	GA (V1)
50	CFW500C49P0T4DB66(DS)G2	CFDB2-10-11190	10	12,800	10 x 28 x 16	\$6,050	GA (V1)	

**NOTES:**

1) Dimensions are provided for estimating purposes only.



## CFW11

WEG's CFW11 uses state-of-the-art technology to control motors up to 1000HP. Aimed at increasing customers productivity, the CFW11 offers the following innovations:

### Standard Features

- Same programming as all other WEG VFD's
- Plug and play philosophy (connect and use) enables quick and easy installation of accessories and options.
- USB for microcomputer connection for using SUPERDRIVE programming and monitoring software as well as updating inverter firmware.
- Human-Machine Interface (HMI) with backlit graphic display and soft-keys, greatly facilitates inverter programming and operation.
- DC link inductors (symetrically connected to positive and negative DC link terminals) enable compliance with IEC61000-3-12 standard requirements regarding harmonics, (no need for external line reactance.)
- Intelligent thermal management enables full protection of IGBTs, monitoring of heatsink and internal air temperature.
- Conformal coated circuit boards.
- 50°C Ambient
- Automatic control of the heatsink fan with speed sensor (additional protection) and easily detachable from the unit for cleaning and maintenance.
- Normal Duty and Heavy Duty ratings to adapt optimally to all kinds of loads.
- Protection with failure and alarm warnings.
- Motor overload protection in compliance with IEC 60947-4-2 | UL 508 C.
- Memory card built into the standard product allows user to create functions without the need to use an external PLC (soft-PLC via IEC61131-3 programming software)
- Guided start-up simplifies initial user programming. Real time clock with time and date stamped fault log.
- TRACE / SCOPE function to assist with the start-up and system diagnostics.
- SuperDrive G2 compatible



### Applications

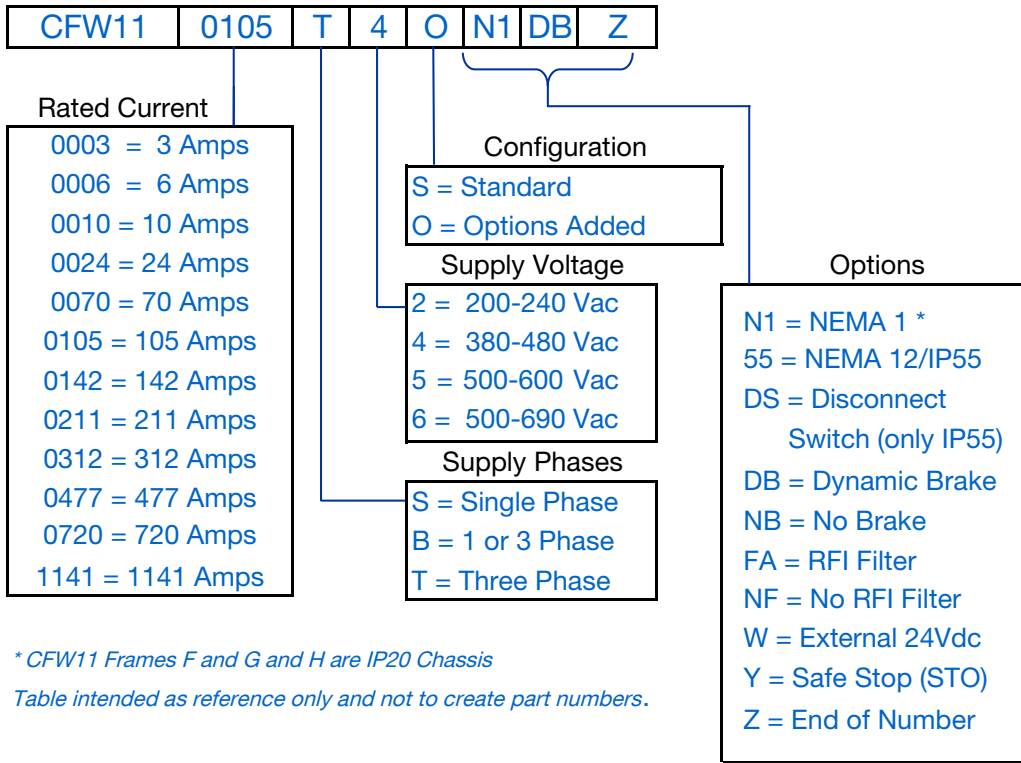
- Pumps
- Fans/Blowers
- Conveyors
- Compressors
- Agitators and Mixers
- Extruders
- Grizzly Feeders
- Centrifuges
- Cranes and Hoists
- Rollout Tables
- Presses
- Saws

### Optional Features

- Safety stop in compliance with EN 954 - 1/category III\*\*
- External control feed with 24 Vdc
- RFI filter in compliance with EN 61800-3 (internal)\*\*
- DB Resistors and line/load reactors available upon request

\*\*factory ordered

## CFW11 Catalog Number Sequence



CFW11 NEMA1 VFD



CFW11 NEMA12/IP55 VFD

## CFW11

### Drive Ratings

#### Normal Duty (ND) Cycle:

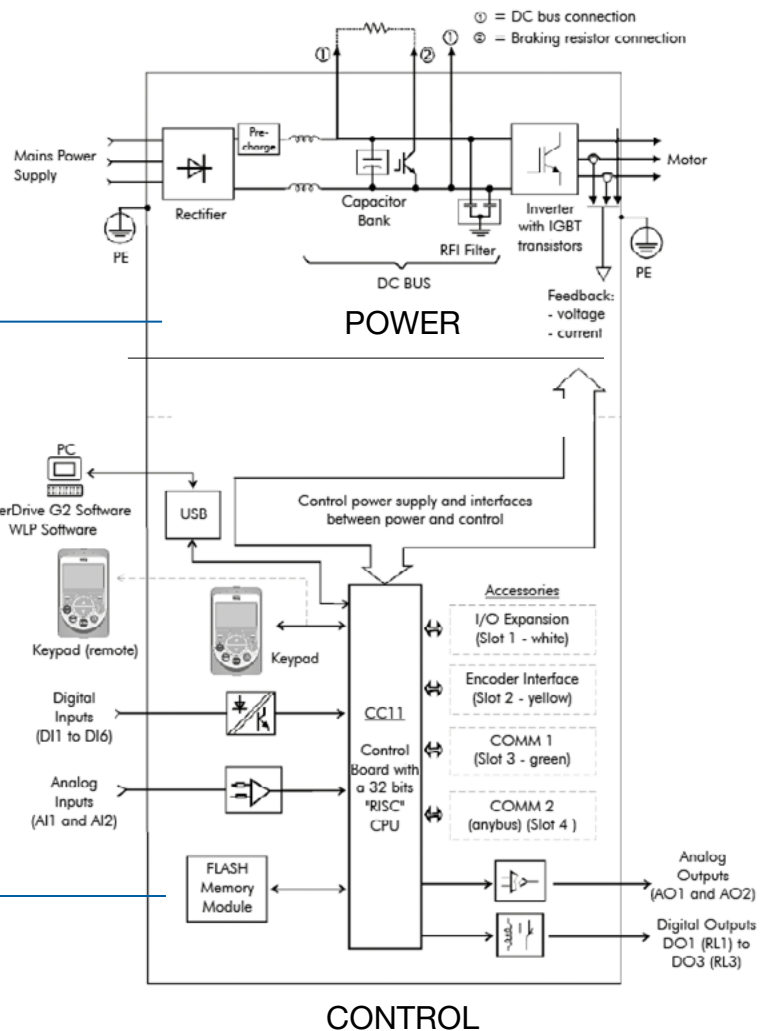
- 110% for 60 seconds every 10 minutes
- 150% for 3 seconds every 10 minutes

#### Heavy Duty (HD) Cycle:

- 150% for 60 seconds every 10 minutes
- 200% for 3 seconds every 10 minutes

### Sizing the Drive

The correct way to select a VFD is to match its output current with the motor rated current. However, the tables in this catalog also present the expected motor horsepower for each VFD model. Use the motor power ratings only as a guide. Motor rated currents may vary with speed and manufacturer. IEC motor powers are based on WEG 4-pole motors, NEMA motor powers are based on NEC table 430-150.



#### NOTES:

- 1) Half controlled bridge rectifier for sizes F and G
  - 2) Standard for sizes A to D;
  - 3) Standard RFI filter for sizes E, F and G;
- Please refer to the user manual for more information.





### NEMA 1 Enclosure

Motor Voltage	ND / VT <sup>1</sup>		HD / CT <sup>1</sup>		Catalog Number	Braking Transistor	Frame Size <sup>4,5</sup>	Dimensions (in.) HxWxD	Approx. Weight (lbs.)	List Price	Multiplier New (Old)	
	Motor HP <sup>2</sup>	Drive Amps <sup>3</sup>	Motor HP <sup>2</sup>	Drive Amps <sup>3</sup>								
230 Vac	<b>Input Power Supply: Single or Three-Phase 200-240 Vac with Dynamic Braking Transistor</b>											
	1 1/2	6.0	1 1/2	5.0	CFW110006B20N1Z	Yes	A	12.1 x 5.8 x 9.0	13.9	<b>\$1,644</b>	V1P (V1)	
	2	7.0	2	7.0	CFW110007B20N1Z	Yes	A	12.1 x 5.8 x 9.0	13.9	<b>\$1,716</b>	V1P (V1)	
	<b>Input Power Supply: Single-Phase 200-240 Vac with Dynamic Braking Transistor</b>											
	3	10	3	10	CFW110010S20N1Z	Yes	A	12.1 x 5.8 x 9.0	13.9	<b>\$1,812</b>	V1P (V1)	
	<b>Input Power Supply: Three-Phase 200-240 Vac with Dynamic Braking Transistor</b>											
	2	7.0	1 1/2	5.5	CFW110007T20N1Z	Yes	A	12.1 x 5.8 x 9.0	13.9	<b>\$1,620</b>	V1P (V1)	
	3	10	2	8.0	CFW110010T20N1Z	Yes	A	12.1 x 5.8 x 9.0	13.9	<b>\$1,692</b>	V1P (V1)	
	5	13	3	11	CFW110013T20N1Z	Yes	A	12.1 x 5.8 x 9.0	13.9	<b>\$1,728</b>	V1P (V1)	
	5	16	5	13	CFW110016T20N1Z	Yes	A	12.1 x 5.8 x 9.0	13.9	<b>\$1,850</b>	V1P (V1)	
	7 1/2	24	7 1/2	20	CFW110024T20N1Z	Yes	B	13.9 x 7.5 x 9.0	23	<b>\$2,424</b>	V1P (V1)	
	10	28	10	24	CFW110028T20N1Z	Yes	B	13.9 x 7.5 x 9.0	23	<b>\$2,641</b>	V1P (V1)	
	10	34	10	28	CFW110033T20N1Z	Yes	B	13.9 x 7.5 x 9.0	23	<b>\$3,190</b>	V1P (V1)	
	15	45	15	36	CFW110045T20N1Z	Yes	C	17.7 x 8.7 x 11.5	46	<b>\$3,641</b>	V1P (V1)	
	20	54	20	45	CFW110054T20N1Z	Yes	C	17.7 x 8.7 x 11.5	46	<b>\$4,400</b>	V1P (V1)	
	25	70	20	56	CFW110070T20N1Z	Yes	C	17.7 x 8.7 x 11.5	46	<b>\$6,600</b>	V1P (V1)	
	30	86	25	70	CFW110086T20N1Z	Yes	D	19.9 x 11.9 x 12.0	75	<b>\$7,222</b>	V1P (V1)	
	40	105	30	86	CFW110105T20N1Z	Yes	D	19.9 x 11.9 x 12.0	75	<b>\$9,000</b>	V1P (V1)	
	50	142	40	115	CFW110142T20N1DBZ	Yes	E	26.6 x 13.2 x 14.1	144	<b>\$12,720</b>	V1P (V1)	
	60	180	50	142	CFW110180T20N1DBZ	Yes	E	26.6 x 13.2 x 14.1	144	<b>\$17,555</b>	V1P (V1)	
75	211	60	180	CFW110211T20N1DBZ	Yes	E	26.6 x 13.2 x 14.1	144	<b>\$24,380</b>	V1P (V1)		
<b>Input Power Supply: Three-Phase 200-240 Vac without Dynamic Braking Transistor</b>												
50	142	40	115	CFW110142T20N1Z	No	E	26.6 x 13.2 x 14.1	144	<b>\$11,649</b>	V1P (V1)		
60	180	50	142	CFW110180T20N1Z	No	E	26.6 x 13.2 x 14.1	144	<b>\$15,125</b>	V1P (V1)		
75	211	60	180	CFW110211T20N1Z	No	E	26.6 x 13.2 x 14.1	144	<b>\$21,560</b>	V1P (V1)		

**NOTES:**

- 1) CT = Constant Torque, 150% overload / 60 sec.; VT = Variable Torque (Quadratic Load), 110% overload / 60 sec.
- 2) "HP" rating based on "average FLA values". Use as a guide only.
- 3) Motor FLA may vary with speed and manufacturer. ALWAYS compare motor FLA to Nominal AMPS of drive.
- 4) Frame A to D: Maximum 50°C ambient temperature without derating.  
Frame E: Maximum 45°C ambient temperature without derating.
- 5) Frame A to E: Approx. 6% impedance Dual DC Bus chokes.

# Variable Frequency Drives



CFW11

NEMA 1 Enclosure

Motor Voltage	ND / VT <sup>1</sup>		HD / CT <sup>1</sup>		Catalog Number	Braking Transistor	Frame Size <sup>4,5</sup>	Dimensions (in.) HxWxD	Approx. Weight (lbs.)	List Price	Multiplier New (Old)
	Motor HP <sup>2</sup>	Drive Amps <sup>3</sup>	Motor HP <sup>2</sup>	Drive Amps <sup>3</sup>							
480 Vac	<b>Input Power Supply: Three-Phase 380-480 Vac with Dynamic Braking Transistor</b>										
	2	3.6	2	3.6	CFW110003T40N1Z	Yes	A	12.1 x 5.8 x 9.0	22	\$1,616	V1P (V1)
	3	5.0	3	5.0	CFW110005T40N1Z	Yes	A	12.1 x 5.8 x 9.0	22	\$1,650	
	5	7.0	3	5.5	CFW110007T40N1Z	Yes	A	12.1 x 5.8 x 9.0	22	\$1,712	
	7 1/2	10	5	10	CFW110010T40N1Z	Yes	A	12.1 x 5.8 x 9.0	22	\$1,969	
	10	13.5	7 1/2	11	CFW110013T40N1Z	Yes	A	12.1 x 5.8 x 9.0	22	\$2,068	
	10	17	10	13.5	CFW110017T40N1Z	Yes	B	13.9 x 7.5 x 9.0	23	\$2,530	
	15	24	10	19	CFW110024T40N1Z	Yes	B	13.9 x 7.5 x 9.0	23	\$2,992	
	20	31	15	25	CFW110031T40N1Z	Yes	B	13.9 x 7.5 x 9.0	23	\$3,873	
	25	38	20	33	CFW110038T40N1Z	Yes	C	17.7 x 8.7 x 11.5	46	\$4,300	
	30	45	25	38	CFW110045T40N1Z	Yes	C	17.7 x 8.7 x 11.5	46	\$5,400	
	40	58.5	30	47	CFW110058T40N1Z	Yes	C	17.7 x 8.7 x 11.5	46	\$6,633	
	50/60	70.5	40	61	CFW110070T40N1Z	Yes	D	19.9 x 11.9 x 12.0	75	\$7,500	
	60/75	88	50	73	CFW110088T40N1Z	Yes	D	19.9 x 11.9 x 12.0	75	\$8,900	
	75	105	75	88	CFW110105T40N1DBZ	Yes	E	26.6 x 13.2 x 14.1	144	\$13,600	
	100/125	142	75	115	CFW110142T40N1DBZ	Yes	E	26.6 x 13.2 x 14.1	144	\$15,900	
	150	180	100/125	142	CFW110180T40N1DBZ	Yes	E	26.6 x 13.2 x 14.1	144	\$23,115	
	175	211	150	180	CFW110211T40N1DBZ	Yes	E	26.6 x 13.2 x 14.1	144	\$27,020	
	<b>Input Power Supply: Three-Phase 380-480 Vac without Dynamic Braking Transistor</b>										
	75	105	75	88	CFW110105T40N1Z	No	E	26.6 x 13.2 x 14.1	144	\$10,650	V1P (V1)
	100/125	142	75	115	CFW110142T40N1Z	No	E	26.6 x 13.2 x 14.1	144	\$12,500	
	150	180	100/125	142	CFW110180T40N1Z	No	E	26.6 x 13.2 x 14.1	144	\$17,500	
	175	211	150	180	CFW110211T40N1Z	No	E	26.6 x 13.2 x 14.1	144	\$21,000	
	200	242	150	211	CFW110242T4SZ	No	F <sup>6</sup>	48.6 x 16.9 x 14.2	309	\$23,000	
	250	312	200	242	CFW110312T4SZ	No	F <sup>6</sup>	48.6 x 16.9 x 14.2	309	\$29,366	
	300	370	250	312	CFW110370T4SZ	No	F <sup>6</sup>	48.6 x 16.9 x 14.2	309	\$31,314	
	400	477	300	370	CFW110477T4SZ	No	F <sup>6</sup>	48.6 x 16.9 x 14.2	309	\$41,027	
	450	515	400	477	CFW110515T4SZ	No	G <sup>6</sup>	50 x 21.1 x 16.8	474	\$43,970	
500	601	450	515	CFW110601T4SZ	No	G <sup>6</sup>	50 x 21.1 x 16.8	474	\$50,088		
600	720	500	560	CFW110720T4SZ	No	G <sup>6</sup>	50 x 21.1 x 16.8	474	\$59,330		
650	760	500	600	CFW110760T4OYZ	No	G <sup>6,7</sup>	50 x 21.1 x 16.8	474	\$60,240		
700	795	550	637	CFW110795T4OYZ	No	H <sup>6,7,8</sup>	55.7 x 27.1 x 16.6	470	\$59,900		
				WKDRULL8H-877	Line Reactor (QTY-2)		12.3 x 15.5 x 13.5	125 x 2	\$5,962 (ea)		
750	877	600	715	CFW110877T4OYZ	No	H <sup>6,7,8</sup>	55.7 x 27.1 x 16.6	470	\$65,950		
				WKDRULL8H-877	Line Reactor (QTY-2)		12.3 x 15.5 x 13.5	125 x 2	\$5,962 (ea)		
950	1062	750	855	CFW111062T4OYZ	No	H <sup>6,7,8</sup>	55.7 x 27.1 x 16.6	486	\$79,736		
				WKDRULS3H-1141	Line Reactor (QTY-2)		12.61 x 15.25 x 16.5	190 x 2	\$7,725 (ea)		
1000	1141	800	943	CFW111141T4OYZ	No	H <sup>6,7,8</sup>	55.7 x 27.1 x 16.6	486	\$92,517		
				WKDRULS3H-1141	Line Reactor (QTY-2)		12.61 x 15.25 x 16.5	190 x 2	\$7,725 (ea)		

**NOTES:**

- 1) CT = Constant Torque, 150% overload / 60 sec.; VT = Variable Torque (Quadratic Load), 110% overload / 60 sec.
- 2) "HP" rating based on "average FLA values". Use as a guide only.
- 3) Motor FLA may vary with speed and manufacturer. ALWAYS compare motor FLA to Nominal AMPS of drive.
- 4) Frame A to D: Maximum 50°C ambient temperature without derating.  
Frame E, F & G (515A & 601A): Maximum 45°C ambient temperature without derating.  
Frame G (720A & 760A) & H: Maximum 40°C ambient temperature without derating.
- 5) Frame A to E: Approx. 6% impedance Dual DC Bus chokes.  
Frame F & G: Approx. 3% impedance Dual DC Bus chokes.
- 6) IP20 enclosure protection level.
- 7) Includes STO Safety Stop per EN 954-1 / ISO 13846-1, category 3.
- 8) Frame-H does not have built-in DC-link inductor. The Open style (IP00) input AC line reactor(s) in mentioned quantities must be used with drive to get the drive warranty.



### NEMA 1 Enclosure

Motor Voltage	ND / VT <sup>1</sup>		HD / CT <sup>1</sup>		Catalog Number	Braking Transistor	Frame Size	Dimensions (in.) HxWxD	Approx. Weight (lbs.)	List Price	Multiplier New (Old)		
	Motor HP <sup>2</sup>	Drive Amps <sup>3</sup>	Motor HP <sup>2</sup>	Drive Amps <sup>3</sup>									
<b>Input Power Supply: Three-Phase 500-600 Vac with Dynamic Braking Transistor</b>													
575 Vac <sup>4</sup>	2	2.9	2	2.7	CFW110002T50N1NFZ	Yes	B	13.9 x 7.5 x 9.0	24	\$2,393	V1P (V1)		
	3	4.4	3	3.8	CFW110004T50N1NFZ	Yes	B	13.9 x 7.5 x 9.0	24	\$2,360			
	7 1/2	7.0	5	6.4	CFW110007T50N1NFZ	Yes	B	13.9 x 7.5 x 9.0	24	\$2,516			
	10	10	7 1/2	9.0	CFW110010T50N1NFZ	Yes	B	13.9 x 7.5 x 9.0	24	\$2,850			
	10	12	10	10	CFW110012T50N1NFZ	Yes	B	13.9 x 7.5 x 9.0	24	\$2,998			
	15	17	15	17	CFW110017T50N1NFZ	Yes	B	13.9 x 7.5 x 9.0	24	\$3,145			
	20	22	20	19	CFW110022T50N1NFZ	Yes	C	17.7 x 8.7 x 11.5	44.6	\$4,748			
	25	27	20	22	CFW110027T50N1NFZ	Yes	C	17.7 x 8.7 x 11.5	44.6	\$5,023			
	30	32	25	27	CFW110032T50N1NFZ	Yes	C	17.7 x 8.7 x 11.5	44.6	\$5,803			
	40	44	30	36	CFW110044T50N1NFZ	Yes	C	17.7 x 8.7 x 11.5	44.6	\$7,175			
	50	53	40	44	CFW110053T60N1YZ	Yes	E <sup>5,8</sup>	26.6 x 13.2 x 14.1	143	\$12,166			
	60	63	50	53	CFW110063T60N1YZ	Yes	E <sup>5,8</sup>	26.6 x 13.2 x 14.1	143	\$12,932			
	75	80	75	66	CFW110080T60N1YZ	Yes	E <sup>5,8</sup>	26.6 x 13.2 x 14.1	143	\$13,979			
	100	107	100	90	CFW110107T60N1YZ	Yes	E <sup>5,8</sup>	26.6 x 13.2 x 14.1	143	\$23,951			
	125	125	100	107	CFW110125T60N1YZ	Yes	E <sup>5,8</sup>	26.6 x 13.2 x 14.1	143	\$29,042			
	150	150	125	122	CFW110150T60N1YZ	Yes	E <sup>5,8</sup>	26.6 x 13.2 x 14.1	143	\$33,040			
	<b>Input Power Supply: Three-Phase 500-600 Vac without Dynamic Braking Transistor</b>												
	50	53	40	44	CFW110053T60N1NBYZ	No	E <sup>5,8</sup>	26.6 x 13.2 x 14.1	143	\$9,887		V1P (V1)	
60	63	50	53	CFW110063T60N1NBYZ	No	E <sup>5,8</sup>	26.6 x 13.2 x 14.1	143	\$10,510				
75	80	75	66	CFW110080T60N1NBYZ	No	E <sup>5,8</sup>	26.6 x 13.2 x 14.1	143	\$11,358				
100	107	100	90	CFW110107T60N1NBYZ	No	E <sup>5,8</sup>	26.6 x 13.2 x 14.1	143	\$19,458				
125	125	100	107	CFW110125T60N1NBYZ	No	E <sup>5,8</sup>	26.6 x 13.2 x 14.1	143	\$23,589				
150	150	125	122	CFW110150T60N1NBYZ	No	E <sup>5,8</sup>	26.6 x 13.2 x 14.1	143	\$32,080				
150	170	150	150	CFW110170T60YZ	No	F <sup>5,7,8</sup>	48.6 x 16.9 x 14.2	371	\$33,083				
200	216	150	180	CFW110216T60YZ	No	F <sup>5,7,8</sup>	48.6 x 16.9 x 14.2	371	\$40,206				
300	289	250	240	CFW110289T60YZ	No	F <sup>5,7,8</sup>	48.6 x 16.9 x 14.2	371	\$48,913				
350	315	300	289	CFW110315T60YZ	No	G <sup>5,7,8</sup>	50 x 21.1 x 16.8	569	\$54,936				
400	365	350	315	CFW110365T60YZ	No	G <sup>5,7,8</sup>	50 x 21.1 x 16.8	569	\$71,061				
450	435	350	357	CFW110435T60YZ	No	G <sup>5,7,8</sup>	50 x 21.1 x 16.8	569	\$76,125				
500	472	450	418	CFW110472T60YZ	No	G <sup>6,7,8</sup>	50 x 21.1 x 16.8	569	\$77,150				
650	584	550	504	CFW110584T60YZ	No	H <sup>6,7,8,9</sup>	55.7 x 27.1 x 16.6	441	\$76,990				
				WKDRULS50H-625	Line Reactor (QTY-1)	12.3 x 15.5 x 13.5	195 x 1	\$8,495(ea)					
700	625	600	540	CFW110625T60YZ	No	H <sup>6,7,8,9</sup>	55.7 x 27.1 x 16.6	441	\$81,950				
				WKDRULS50H-625	Line Reactor (QTY-1)	12.3 x 15.5 x 13.5	195 x 1	\$8,495(ea)					
850	758	650	614	CFW110758T60YZ	No	H <sup>6,7,8,9</sup>	55.7 x 27.1 x 16.6	470	\$92,830				
				WKDRULS43L-804	Line Reactor (QTY-2)	12.3 x 15.5 x 13.5	175 x 2	\$5,615(ea)					
900	804	750	682	CFW110804T60YZ	No	H <sup>6,7,8,9</sup>	55.7 x 27.1 x 16.6	470	\$104,990				
				WKDRULS43L-804	Line Reactor (QTY-2)	12.3 x 15.5 x 13.5	175 x 2	\$5,615(ea)					

**NOTES:**

- 1) CT = Constant Torque, 150% overload / 60 sec.; VT = Variable Torque (Quadratic Load), 110% overload / 60 sec.
- 2) "HP" rating based on "average FLA values". Use as a guide only.
- 3) Motor FLA may vary with speed and manufacturer. ALWAYS compare motor FLA to Nominal AMPS of drive.
- 4) All 575V drives are non-stocked items, consult WEG for availability.
- 5) Maximum 45°C ambient temperature without derating
- 6) Maximum 40°C ambient temperature without derating
- 7) IP20 enclosure protection level
- 8) Includes STO Safety Stop per EN 954-1 / ISO 13849-1, category 3
- 9) Frame size "H" does not have built-in DC-link Inductor. The Open style (IP00) Input AC Line Reactor(s) in mentioned qty must be used with the drive to get the drive warranty.

## CFW11

### NEMA12 / IP55 Enclosure with Disconnect Switch

Motor Voltage	ND / VT <sup>1</sup>		HD / CT <sup>1</sup>		Catalog Number	Braking Transistor	Frame Size	Dimensions (in.) HxWxD	Approx. Weight (lbs.)	List Price	Multiplier New (Old)	
	Motor HP <sup>2</sup>	Drive Amps <sup>3</sup>	Motor HP <sup>2</sup>	Drive Amps <sup>3</sup>								
230 Vac	<b>Input Power Supply: Three-Phase 200-240 Vac with Dynamic Braking Transistor</b>											
	2	7	1.5	5.5	<a href="#">CFW110007T2055DSZ</a>	Yes	B	20.8 x 10.7 x 11.0	37.5	<b>\$2,022</b>	V1P (V1)	
	3	10	2	8	<a href="#">CFW110010T2055DSZ</a>	Yes	B	20.8 x 10.7 x 11.0	37.5	<b>\$2,074</b>	V1P (V1)	
	5	13	3	11	<a href="#">CFW110013T2055DSZ</a>	Yes	B	20.8 x 10.7 x 11.0	37.5	<b>\$2,130</b>	V1P (V1)	
	5	16	5	13	<a href="#">CFW110016T2055DSZ</a>	Yes	B	20.8 x 10.7 x 11.0	37.5	<b>\$2,601</b>	V1P (V1)	
	7.5	24	7.5	20	<a href="#">CFW110024T2055DSZ</a>	Yes	B	20.8 x 10.7 x 11.0	37.5	<b>\$3,074</b>	V1P (V1)	
	10	28	10	24	<a href="#">CFW110028T2055DSZ</a>	Yes	B	20.8 x 10.7 x 11.0	37.5	<b>\$3,529</b>	V1P (V1)	
	10	33.5	10	28	<a href="#">CFW110033T2055DSZ</a>	Yes	B	20.8 x 10.7 x 11.0	37.5	<b>\$4,062</b>	V1P (V1)	
	15	45	15	36	<a href="#">CFW110045T2055DSZ</a>	Yes	C	26.4 x 12.1 x 13.7	66.2	<b>\$4,892</b>	V1P (V1)	
	20	54	20	45	<a href="#">CFW110054T2055DSZ</a>	Yes	C	26.4 x 12.1 x 13.7	66.2	<b>\$6,037</b>	V1P (V1)	
	25	70	20	56	<a href="#">CFW110070T2055DSZ</a>	Yes	C	26.4 x 12.1 x 13.7	66.2	<b>\$6,941</b>	V1P (V1)	
	30	86	25	70	<a href="#">CFW110086T2055DSZ</a>	Yes	D	29.7 x 14.8 x 11.9	108	<b>\$7,895</b>	V1P (V1)	
	40	105	30	86	<a href="#">CFW110105T2055DSZ</a>	Yes	D	29.7 x 14.8 x 11.9	108	<b>\$10,062</b>	V1P (V1)	
	<b>Input Power Supply: Three-Phase 200-240 Vac without Dynamic Braking Transistor</b>											
	50	142	40	115	<a href="#">CFW110142T2055DSZ</a>	No	E	39.4 x 16.9 x 15.3	211.7	<b>\$12,539</b>	V1P (V1)	
60	180	50	142	<a href="#">CFW110180T2055DSZ</a>	No	E	39.4 x 16.9 x 15.3	211.7	<b>\$17,211</b>	V1P (V1)		
75	211	60	180	<a href="#">CFW110211T2055DSZ</a>	No	E	39.4 x 16.9 x 15.3	211.7	<b>\$22,167</b>	V1P (V1)		
460 Vac	<b>Input Power Supply: Three-Phase 380-480 Vac with Dynamic Braking Transistor</b>											
	2	3.6	2	3.6	<a href="#">CFW110003T4055DSZ</a>	Yes	B	20.8 x 10.7 x 11.0	37.5	<b>\$1,873</b>	V1P (V1)	
	3	5	3	5	<a href="#">CFW110005T4055DSZ</a>	Yes	B	20.8 x 10.7 x 11.0	37.5	<b>\$1,997</b>	V1P (V1)	
	5	7	3	5.5	<a href="#">CFW110007T4055DSZ</a>	Yes	B	20.8 x 10.7 x 11.0	37.5	<b>\$2,065</b>	V1P (V1)	
	7.5	10	5	10	<a href="#">CFW110010T4055DSZ</a>	Yes	B	20.8 x 10.7 x 11.0	37.5	<b>\$2,198</b>	V1P (V1)	
	10	13.5	7.5	11	<a href="#">CFW110013T4055DSZ</a>	Yes	B	20.8 x 10.7 x 11.0	37.5	<b>\$2,632</b>	V1P (V1)	
	10	17	10	13.5	<a href="#">CFW110017T4055DSZ</a>	Yes	B	20.8 x 10.7 x 11.0	37.5	<b>\$2,786</b>	V1P (V1)	
	15	24	10	19	<a href="#">CFW110024T4055DSZ</a>	Yes	B	20.8 x 10.7 x 11.0	37.5	<b>\$3,622</b>	V1P (V1)	
	20	31	15	25	<a href="#">CFW110031T4055DSZ</a>	Yes	B	20.8 x 10.7 x 11.0	37.5	<b>\$4,427</b>	V1P (V1)	
	25	38	20	33	<a href="#">CFW110038T4055DSZ</a>	Yes	C	26.4 x 12.1 x 13.7	66.2	<b>\$5,610</b>	V1P (V1)	
	30	45	25	38	<a href="#">CFW110045T4055DSZ</a>	Yes	C	26.4 x 12.1 x 13.7	66.2	<b>\$6,728</b>	V1P (V1)	
	40	58.5	30	47	<a href="#">CFW110058T4055DSZ</a>	Yes	C	26.4 x 12.1 x 13.7	66.2	<b>\$7,678</b>	V1P (V1)	
	50/60	70.5	40	61	<a href="#">CFW110070T4055DSZ</a>	Yes	D	29.7 x 14.8 x 11.9	108	<b>\$9,412</b>	V1P (V1)	
	60/75	88	50	73	<a href="#">CFW110088T4055DSZ</a>	Yes	D	29.7 x 14.8 x 11.9	108	<b>\$11,084</b>	V1P (V1)	
	<b>Input Power Supply: Three-Phase 380-480 Vac without Dynamic Braking Transistor</b>											
75	105	75	88	<a href="#">CFW110105T4055DSZ</a>	No	E	39.4 x 16.9 x 15.3	211.7	<b>\$12,198</b>	V1P (V1)		
100/125	142	75	115	<a href="#">CFW110142T4055DSZ</a>	No	E	39.4 x 16.9 x 15.3	211.7	<b>\$15,062</b>	V1P (V1)		
150	180	100/125	142	<a href="#">CFW110180T4055DSZ</a>	No	E	39.4 x 16.9 x 15.3	211.7	<b>\$21,115</b>	V1P (V1)		
175	211	150	180	<a href="#">CFW110211T4055DSZ</a>	No	E	39.4 x 16.9 x 15.3	211.7	<b>\$27,554</b>	V1P (V1)		

**NOTES:**

1) CT = Constant Torque, 150% overload / 60 sec.; VT = Variable Torque (Quadratic Load), 110% overload / 60 sec.

2) "HP" rating based on "average FLA values". Use as a guide only.

3) Motor FLA may vary with speed and manufacturer. ALWAYS compare motor FLA to Nominal AMPS of drive.

4) Dimensions are provided for estimating purposes only. Always refer to as built drawings for actual measurements.

All CFW11 IP55/NEMA12 drives have maximum 40°C ambient temperature without derating

For other technical data please refer to WEG product manual.

## Options and Accessories

Type	Catalog Number	Description	Slot	List Price	Multiplier New (Old)
I/O Expansion Module	<b>IOA-01</b>	IOA Module for CFW11: 1 analog input (AI4 - 14 bits, voltage or current); 2 analog outputs (AO3 and AO4 -14 bits, voltage or current); 2 digital inputs; 2 digital outputs (open-collector). All analog inputs and outputs are galvanically isolated.	1	<b>\$1,100</b>	V1P (V1)
	<b>IOB-01</b>	IOB Module for CFW11: 2 analog inputs (AI3 and AI4 - 12 bits, voltage or current); 2 analog outputs (AO1 and AO2 - 11 bits, voltage or current); 2 digital inputs; 2 digital outputs (open-collector) All analog inputs and outputs are galvanically isolated.	1	<b>\$600</b>	V1P (V1)
	<b>IOC-01</b>	Module for SoftPLC : 8 x Isolated Digital Inputs; 4 x Relay output (240V/1A)	1	<b>\$447</b>	V1P (V1)
	<b>IOC-02</b>	Module for SoftPLC : 8 x Isolated Digital Inputs; 8 x open collector digital outputs	1	<b>\$411</b>	V1P (V1)
	<b>IOE-01</b>	PTC Temperature Sensor Input Card; 5-Channels	1	<b>\$668</b>	V1P (V1)
	<b>IOE-02</b>	PT100 Temperature Sensor Input Card; 5-Channels	1	<b>\$1,741</b>	V1P (V1)
	<b>IOE-03</b>	KTY84 Temperature Sensor Input Card; 5-Channels	1	<b>\$863</b>	V1P (V1)
Encoder Module	<b>ENC-01</b>	Incremental encoder module, 5 to 12 VDC at 100 KHZ, with encoder signal repeater	2	<b>\$500</b>	V1P (V1)
	<b>ENC-02</b>	Incremental encoder module, 5 to 12 VDC at 100 KHZ, without encoder signal repeater	2	<b>\$430</b>	V1P (V1)
Communication	<b>RS485-01</b>	RS-485 serial communication module (Modbus-RTU)	3	<b>\$240</b>	V1P (V1)
	<b>RS232-01</b>	RS-232C serial communication module (Modbus-RTU)	3	<b>\$180</b>	V1P (V1)
	<b>RS232-02</b>	RS232C serial communication module with DIP-switches for microcontroller's flash memory programming	3	<b>\$180</b>	V1P (V1)
	<b>CAN/RS485-01</b>	CAN and RS-485 communication module (CANopen / Modbus / DeviceNet)	3	<b>\$480</b>	V1P (V1)
	<b>CAN-01</b>	CAN interface module (CANopen/DeviceNet) (CFW11 & CFW700)	3	<b>\$410</b>	GA (V1)
	<b>PROFIBUS DP-01</b>	Profibus DP-V1 interface module (CFW11 & CFW700)	3	<b>\$520</b>	GA (V1)
	<b>PROFDP-05</b>	Profibus DP interface module	4	<b>\$935</b>	V1P (V1)
	<b>DEVICENET-05</b>	DeviceNet interface module	4	<b>\$935</b>	V1P (V1)
	<b>ETHERNET/IP-05</b>	Ethernet/IP interface module	4	<b>\$935</b>	V1P (V1)
	<b>ETHERNETIP-2P-05</b>	EtherNet/IP Communication Module, 2-ports	4	<b>\$1,067</b>	V1P (V1)
	<b>ETHERCAT-05</b>	EtherCAT Communication Module	4	<b>\$1,117</b>	V1P (V1)
	<b>RS232-05</b>	RS-232 serial communication module (Modbus-RTU)	4	<b>\$228</b>	V1P (V1)
	<b>RS485-05</b>	RS-485 serial communication module (Modbus-RTU)	4	<b>\$275</b>	V1P (V1)
	<b>MODBUSTCP-05</b>	Modbus - TCP/IP interface module	4	<b>\$1,381</b>	V1P (V1)
	<b>MODBUSTCP-2P-05</b>	Modbus - TCP/IP interface module, 2-ports	4	<b>\$1,567</b>	V1P (V1)
	<b>PROFINET IO-05</b>	Profinet interface module	4	<b>\$1,594</b>	V1P (V1)
PLC	<b>PLC11-01</b>	PLC functions with ladder programming, electronic gear box, etc.; 9 digital inputs; 3 dry-contact digital outputs; 3 open-collector digital outputs; 1 analog input (14 bits); 2 analog outputs (14 bits); 2 encoder interfaces; RS-485 Modbus-RTU interface; CAN interface (CANopen, CANopen master/slave)	1, 2, 3	<b>\$1,876</b>	V1P (V1)
PLC	<b>PLC11-02</b>	PLC functions with ladder programming, electronic gear box, etc.; 4 digital inputs; 1 dry-contact digital output; 3 open-collector digital outputs; 2 encoder interfaces; RS-485 Modbus-RTU interface; CAN interface (CANopen, CANopen master/slave)	1,2,3	<b>\$1,221</b>	V1P (V1)
Flash Memory	<b>MMF-01</b>	Flash Memory Module for CFW11; Blue Cover; For main circuit board versions CC11C and older	5	<b>\$71</b>	V1P (V1)
	<b>MMF-03</b>	Flash Memory Module for CFW11; Yellow Cover; For main circuit board versions CC11D and newer	5	<b>\$71</b>	V1P (V1)

*continued on next page*

## CFW11

### Options and Accessories

Type	Catalog Number	Description	List Price	Multiplier New (Old)
Keypad and Accessories	<b>HMI-01</b>	CFW11 Standard Keypad	<b>\$205</b>	V1G (V1)
	<b>RHMIF-01</b>	CFW11 Remote Keypad Frame Kit	<b>\$69</b>	V1P (V1)
	<b>HMID-01</b>	Blank Keypad Cover for Keypad Slot (CFW11 & CFW700)	<b>\$54</b>	V1P (V1)
Remote Keypad Cable	<b>IHM-CAB-RS-1M</b>	3.3 ft (1 meter) Remote Keypad Cable (CFW11 & CFW700)	<b>\$54</b>	GA (V1)
	<b>IHM-CAB-RS-2M</b>	6.6 ft (2 meter) Remote Keypad Cable (CFW11 & CFW700)	<b>\$60</b>	GA (V1)
	<b>IHM-CAB-RS-3M</b>	9.9 ft (3 meter) Remote Keypad Cable (CFW11 & CFW700)	<b>\$66</b>	GA (V1)
	<b>IHM-CAB-RS-5M</b>	16 ft (5 meter) Remote Keypad Cable (CFW11 & CFW700)	<b>\$75</b>	GA (V1)
	<b>IHM-CAB-RS-7.5M</b>	25 ft (7.5 meter) Remote Keypad Cable (CFW11 & CFW700)	<b>\$90</b>	GA (V1)
	<b>IHM-CAB-RS-10M</b>	33 ft (10 meter) Remote Keypad Cable (CFW11 & CFW700)	<b>\$102</b>	GA (V1)
Conduit Kit	<b>KN1A-01</b>	NEMA 1 Conduit Kit for frame size A with power cables shielding	<b>\$69</b>	V1P (V1)
	<b>KN1B-01</b>	NEMA 1 Conduit Kit for frame size B with power cables shielding	<b>\$82</b>	V1P (V1)
	<b>KN1C-01</b>	NEMA 1 Conduit Kit for frame size C with power cables shielding	<b>\$94</b>	V1P (V1)
	<b>KIP21D-01</b>	IP21 Top Cover Kit for Frame size D (CFW11 & CFW700)	<b>\$100</b>	GA (V1)
	<b>KN1E-01</b>	NEMA 1 Top cover kit for frame size E (105 and 142A)	<b>\$78</b>	GA (V1)
	<b>KN1E-02</b>	NEMA 1 Top cover kit plus Conduit kit for frame size E (180 and 211A)	<b>\$213</b>	GA (V1)
	<b>KN1F-01</b>	NEMA 1 Conduit Kit for frame size F	<b>\$390</b>	V1P (V1)
Cable Shield Kit	<b>KN1G-01</b>	NEMA 1 Conduit Kit for frame size G	<b>\$445</b>	V1P (V1)
	<b>PCSA-01</b>	Power Cables Shielding Kit for frame size A (CFW11, CFW700 & CFW701)	<b>\$48</b>	GA (V1)
	<b>PCSB-01</b>	Power Cables Shielding Kit for frame size B (CFW11, CFW700 & CFW701)	<b>\$51</b>	GA (V1)
	<b>PCSC-01</b>	Power Cables Shielding Kit for frame size C (CFW11, CFW700 & CFW701)	<b>\$54</b>	GA (V1)
	<b>PCSD-01</b>	Power Cables Shielding Kit for frame size D (CFW11, CFW700 & CFW701)	<b>\$56</b>	GA (V1)
	<b>PCSE-01</b>	Power Cables Shielding Kit for frame size E (CFW11, CFW700 & CFW701)	<b>\$76</b>	GA (V1)
Dynamic Brake	<b>DBW030380D3848SZ</b>	External Dynamic Braking Module for CFW11 - T4, Frame F & G (380 to 480VAC), 380A.	<b>\$6,822</b>	V1P (V1)
	<b>DBW040380D3848SZ</b>	External Dynamic Braking Module for CFW11 - T4, Frame H (380 to 480VAC), 380A.	<b>\$6,822</b>	V1P (V1)
	<b>DBW030250D5069SZ</b>	External Dynamic Braking Module for CFW11 - T5/T6, Frame F & G (500 to 690VAC), 250A	<b>\$6,654</b>	V1P (V1)
	<b>DBW040250D5069SZ</b>	External Dynamic Braking Module for CFW11 - T5/T6, Frame H (500 to 690VAC), 250A.	<b>\$6,654</b>	V1P (V1)
	<b>KIP20</b>	IP20 kit for DBW03 / DBW04	<b>\$96</b>	V1P (V1)
CFW11 Demo Suitcase	<b>CFW11-DEMO-SLV</b>	CFW11 Demo Suitcase, Silver, with Encoder	<b>\$10,950</b>	V1P (V1)
	<b>CFW11-DEMO-BLK</b>	CFW11 Demo Suitcase, Black, w/o Encoder	<b>\$8,215</b>	V1P (V1)

## Technical Data

<b>Power Supply</b>	Voltage	Single Phase or Three Phase	200-240V (+10%, -15%)
		Three phase	380-480V (+10%, -15%)
	Frequency	50 / 60Hz +/- 2Hz	
	Displacement Power Factor (Cos)	Greater than 0.94	
<b>Enclosure</b>	Degree of Protection	NEMA 1 / IP20 / NEMA12 (IP55)	
<b>Control</b>	Control Modes	Volts per Hertz (Scalar)	Voltage Vector (VWV)
		Sensorless Vector	Vector with encoder
	Power Output	Sinusoidal PWM (Space Vector Modulation)	
		IGBT Transistors	
	Switching Frequency	1.25, 2.0, 2.5, 5.0 or 10.0 kHz	
	Frequency Range	0-300 Hz in Scalar Mode; 120 Hz in Vector Mode	
	Overload Capacity	CT = Constant Torque, 150% overload / 60 sec. VT = Variable Torque (Quadratic Load), 110% overload / 60 sec.	
<b>Control Inputs</b>	6 programmable isolated digital inputs, 24Vdc logic		
	2 isolated programmable differential analog inputs 11 bit; programmable for current or voltage (0-10V, 4-20 mA or 0-20 mA)		
<b>Control Outputs</b>	3 programmable relay output; NO/NC (Form C); 240Vac, 30Vdc / 1.0 A		
	2 isolated programmable analog outputs 11 bit; programmable for current or voltage (0-10V, 4-20 mA or 0-20 mA)		
<b>Communication</b>	Serial	Optional RS-232 serial interface, RS-485 with external RS-232/485 converter	
	Field Bus	RS-232 (Modbus RTU), RS-485 (Modbus RTU), CANOpen, DeviceNet, Profibus DP	
		DeviceNet, Profibus DP-V1, Ethernet/IP, Modbus TCP, Profinet IO (Active Module) RS232, RS485 (Passive Module)	
<b>Safety</b>	Protections	Motor over current	DC link over voltage
		Motor overload	DC link under voltage
		Output phase-to-phase short circuit	Drive over temperature
		Output phase-to-ground short circuit	External fault
		Programming error	
<b>Ambient</b>	Temperature	14 - 122°F (50°C) for Frame A to D; 14 - 113°F (45°C) for Frame-E, F & G (except 720A).	
		14 - 104°F (40°C) for NEMA12/IP55	
		2% Current derating for every 1°C above maximum temperature (limited to 10°C)	
	Humidity	5-95% Non Condensing	
	Altitude	0-3300 ft (1000m), up to 13,200 ft (4000m) with 1% output current derating per 330ft (100m) above 3300 ft (1000m).	
<b>Regulatory Conformance</b>	IEC 60146	Semiconductor convertors	
	UL 508 C	Power Conversion Equipment	
	UL 840	Insulation coordination including clearances and creepage distances for electrical equipment.	
	EN 50178	Electronic equipment for use in power installations	
	EN 61800-2	General requirements adjustable speed electrical power drive systems	
	EN 61800-3	EMC product standard including specific test methods adjustable speed electrical power drive systems	
	EN 61800-5-1	Safety requirements adjustable speed electrical power drive systems	
	EN 60204-1	Safety of machinery. Electrical equipment of machines. Part 1: General requirements.	
	RoHS and WEEE Guidelines		
<b>Approvals</b>	UL, cUL, CE, C-Tick, GOST		
<b>Special Functions</b>	Linear and "S" ramp accel and decel, local/remote control, FWD/REV selection, DC braking, manual and auto torque boost, motor slip compensation, electronic pot, two skip frequencies, maximum and minimum adjustable frequency limits, adjustable output current		
<b>Keypad</b>	4 digit display, 2 indicator LEDs and 8 keys		
	Readouts for: output frequency (Hz), output current (A), output voltage (V), motor torque (%) in vector mode, DC bus voltage (V), value proportional to frequency (Ex.: RPM), heatsink temperature, fault and status messages		



## Dynamic Braking Resistors for CFW11

100% Braking Torque at 20% Duty Cycle (12 Seconds Max. Braking Time)

NEMA 1 Enclosure

Motor Voltage	Motor HP <sup>1</sup>	CFW11 Catalog Number	Braking Resistor Catalog Number <sup>2</sup>	Rated Ohms	Rated Watts	Dimensions (in.) HxWxD <sup>3</sup>	List Price	Multiplier New (Old)
230 Vac	1 1/2	CFW110006B20N1Z	<b>CFDB2-125-224</b>	125	256	5 x 12 x 5	<b>\$525</b>	GA (V1)
	2	CFW110007B20N1Z	<b>CFDB2-95-298</b>	95	335	5 x 12 x 7	<b>\$825</b>	GA (V1)
	2	CFW110007T20N1Z	<b>CFDB2-95-298</b>	95	335	5 x 12 x 7	<b>\$825</b>	GA (V1)
	3	CFW110010S20N1Z	<b>CFDB2-63-448</b>	63	500	5 x 12 x 7	<b>\$825</b>	GA (V1)
	3	CFW110010T20N1Z	<b>CFDB2-63-448</b>	63	500	5 x 12 x 7	<b>\$825</b>	GA (V1)
	5	CFW110013T20N1Z	<b>CFDB2-38-746</b>	38	920	5 x 12 x 10	<b>\$1,025</b>	GA (V1)
	5	CFW110016T20N1Z	<b>CFDB2-38-746</b>	38	920	5 x 12 x 10	<b>\$1,025</b>	GA (V1)
	7 1/2	CFW110024T20N1Z	<b>CFDB5-26-1119</b>	26	1,170	5 x 12 x 13	<b>\$1,225</b>	GA (V1)
	10	CFW110028T20N1Z	<b>CFDB2-19-1492</b>	19	1,676	5 x 12 x 16	<b>\$1,430</b>	GA (V1)
	10	CFW110033T20N1Z	<b>CFDB2-19-1492</b>	19	1,676	5 x 12 x 16	<b>\$1,430</b>	GA (V1)
	15	CFW110045T20N1Z	<b>CFDB2-13-2238</b>	12.6	2,580	5 x 19 x 10	<b>\$1,775</b>	GA (V1)
	20	CFW110054T20N1Z	<b>CFDB2-10-2984</b>	9.6	3,387	5 x 19 x 10	<b>\$1,775</b>	GA (V1)
	25	CFW110070T20N1Z	<b>CFDB2-8-3730</b>	7.5	4,214	5 x 19 x 13	<b>\$2,150</b>	GA (V1)
	30	CFW110086T20N1Z	<b>CFDB2-7-4476</b>	6.3	5,001	5 x 26.5 x 13	<b>\$2,780</b>	GA (V1)
	40	CFW110105T20N1Z	<b>CFDB2-5-5968</b>	4.9	6,590	5 x 26.5 x 16	<b>\$3,510</b>	GA (V1)
	50	CFW110142T20N1DBZ	<b>CFDB2-4-7460</b>	3.9	7,800	10 x 28 x 10	<b>\$4,095</b>	GA (V1)
	60	CFW110180T20N1DBZ	<b>CFDB2-4-8952</b>	3.3	9,504	10 x 28 x 10	<b>\$4,095</b>	GA (V1)
	75	CFW110211T20N1DBZ	<b>CFDB2-3-11190</b>	2.7	12,150	10 x 28 x 13	<b>\$6,010</b>	GA (V1)
460 Vac	2	CFW110003T40N1Z	<b>CFDB2-375-298</b>	375	331	5 x 12 x 7	<b>\$825</b>	GA (V1)
	3	CFW110005T40N1Z	<b>CFDB2-250-448</b>	250	512	5 x 12 x 7	<b>\$825</b>	GA (V1)
	5	CFW110007T40N1Z	<b>CFDB2-150-746</b>	150	843	5 x 12 x 10	<b>\$1,025</b>	GA (V1)
	7 1/2	CFW110010T40N1Z	<b>CFDB2-100-1119</b>	100	1,280	5 x 12 x 13	<b>\$1,225</b>	GA (V1)
	10	CFW110013T40N1Z	<b>CFDB2-75-1492</b>	75	1,815	5 x 12 x 16	<b>\$1,430</b>	GA (V1)
	10	CFW110017T40N1Z	<b>CFDB2-75-1492</b>	75	1,815	5 x 12 x 16	<b>\$1,430</b>	GA (V1)
	15	CFW110024T40N1Z	<b>CFDB2-50-2238</b>	50	2,560	5 x 19 x 13	<b>\$1,965</b>	GA (V1)
	20	CFW110031T40N1Z	<b>CFDB2-38-2984</b>	38	3,352	5 x 19 x 16	<b>\$2,365</b>	GA (V1)
	25	CFW110038T40N1Z	<b>CFDB2-30-3730</b>	30	4,374	5 x 26.5 x 13	<b>\$2,700</b>	GA (V1)
	30	CFW110045T40N1Z	<b>CFDB2-25-4476</b>	25	5,120	5 x 26.5 x 13	<b>\$2,700</b>	GA (V1)
	40	CFW110058T40N1Z	<b>CFDB2-19-5968</b>	19	6,703	5 x 26.5 x 16	<b>\$3,155</b>	GA (V1)
	50/60	CFW110070T40N1Z	<b>CFDB2-15-8952</b>	15	10,002	10 x 28 x 13	<b>\$4,635</b>	GA (V1)
	75	CFW110088T40N1Z	<b>CFDB2-10-11190</b>	10	12,800	10 x 28 x 16	<b>\$6,050</b>	GA (V1)
	75	CFW110105T40N1DBZ	<b>CFDB2-10-11190</b>	10	12,800	10 x 28 x 16	<b>\$6,050</b>	GA (V1)
	100/125	CFW110142T40N1DBZ	<b>CFDB2-6-18650</b>	6	20,280	24 x 30 x 18	<b>\$10,210</b>	GA (V1)
	150	CFW110180T40N1DBZ	<b>CFDB2-5-22380</b>	5	25,600	24 x 30 x 18	<b>\$12,655</b>	GA (V1)
	175	CFW110211N1DBZ	<b>CFDB2-5-29840</b>	5	33,516	24 x 30 x 18	<b>\$12,655</b>	GA (V1)
	200	CFW110242T4SZ <sup>4</sup>	<b>CFDB2-4-29840</b>	3.8	33,516	30 x 18 x 32	<b>\$12,655</b>	GA (V1)
	250	CFW110312T4SZ <sup>4</sup>	<b>CFDB2-3-37300</b>	3	43,740	30 x 18 x 32	<b>\$13,375</b>	GA (V1)
	300	CFW110370T4SZ <sup>4</sup>	<b>CFDB2-3-44760</b>	2.5	51,200	30 x 18 x 32	<b>\$16,420</b>	GA (V1)
	350	CFW110477T4SZ <sup>4</sup>	<b>CFDB2-3-52220</b>	2.2	57,024	30 x 18 x 48	<b>\$22,835</b>	GA (V1)
400	CFW110515T4SZ <sup>4</sup>	<b>CFDB2-2-59680</b>	1.9	67,032	30 x 18 x 48	<b>\$23,645</b>	GA (V1)	
500	CFW110601T4SZ <sup>4</sup>	<b>CFDB2-2-74600</b>	1.5	84,270	30 x 18 x 64	<b>\$34,205</b>	GA (V1)	
600	CFW110720T4SZ <sup>4</sup>		<b>Consult with WEG</b>				GA (V1)	

**NOTES:**

- 1) "HP" rating based on "average FLA values". Use as a guide only.
- 2) Dynamic Braking Resistors are non-stock items. Consult WEG for availability.
- 3) Dimensions are provided for estimating purposes only.
- 4) Drive without built in dynamic braking chopper. The external dynamic braking chopper module "DBW03XXXX" must be purchased separately. Please refer to CFW11 "Options and Accessories" section for more detail.





## Dynamic Braking Resistors for CFW11

100% Braking Torque at 50% Duty Cycle (30 Seconds Max. Braking Time)  
NEMA 1 Enclosure

Motor Voltage	Motor HP <sup>1</sup>	CFW11 Catalog Number	Braking Resistor Catalog Number <sup>2</sup>	Rated Ohms	Rated Watts	Dimensions (in.) HxWxD <sup>3</sup>	List Price	Multiplier New (Old)
230 Vac	1 1/2	CFW110006B20N1Z	CFDB5-125-560	125	640	5 x 12 x 10	\$1,025	GA (V1)
	2	CFW110007B20N1Z	CFDB5-95-746	95	838	5 x 12 x 10	\$1,025	GA (V1)
	2	CFW110007T20N1Z	CFDB5-95-746	95	838	5 x 12 x 10	\$1,025	GA (V1)
	3	CFW110010S20N1Z	CFDB5-63-1119	63	1,250	5 x 12 x 10	\$1,225	GA (V1)
	3	CFW110010T20N1Z	CFDB5-63-1119	63	1,250	5 x 12 x 10	\$1,225	GA (V1)
	5	CFW110013T20N1Z	CFDB5-38-1865	38	2,299	5 x 19 x 13	\$1,965	GA (V1)
	5	CFW110016T20N1Z	CFDB5-38-1865	38	2,299	5 x 19 x 13	\$1,965	GA (V1)
	7 1/2	CFW110024T20N1Z	CFDB5-26-2798	26	2,925	5 x 26.5 x 13	\$2,700	GA (V1)
	10	CFW110028T20N1Z	CFDB5-19-3730	19	4,190	5 x 26.5 x 13	\$2,700	GA (V1)
	10	CFW110033T20N1Z	CFDB5-19-3730	19	4,190	5 x 26.5 x 13	\$2,700	GA (V1)
	15	CFW110045T20N1Z	CFDB5-13-5595	12.6	6,451	5 x 26.5 x 16	\$3,155	GA (V1)
	20	CFW110054T20N1Z	CFDB5-10-7460	9.6	8,467	10 x 28 x 13	\$4,990	GA (V1)
	25	CFW110070T20N1Z	CFDB5-8-9325	7.5	10,534	10 x 28 x 13	\$4,990	GA (V1)
	30	CFW110086T20N1Z	CFDB5-7-11190	6.3	12,502	10 x 28 x 16	\$5,620	GA (V1)
	40	CFW110105T20N1Z	CFDB5-5-14920	4.9	16,474	24 x 30 x 18	\$7,225	GA (V1)
	50	CFW110142T20N1DBZ	CFDB5-4-18650	3.9	19,500	24 x 30 x 18	\$11,025	GA (V1)
	60	CFW110180T20N1DBZ	CFDB5-4-22380	3.3	23,760	24 x 30 x 18	\$11,025	GA (V1)
	75	CFW110211T20N1DBZ	CFDB5-3-27975	2.7	30,375	32 x 30 x 18	\$16,420	GA (V1)
460 Vac	2	CFW110003T40N1Z	CFDB5-375-746	375	827	5 x 12 x 13	\$1,225	GA (V1)
	3	CFW110005T40N1Z	CFDB5-250-1119	250	1,280	5 x 12 x 16	\$1,630	GA (V1)
	5	CFW110007T40N1Z	CFDB5-150-1865	150	2,107	5 x 19 x 13	\$1,840	GA (V1)
	7 1/2	CFW110010T40N1Z	CFDB5-100-2798	100	3,200	5 x 19 x 16	\$2,365	GA (V1)
	10	CFW110013T40N1Z	CFDB5-75-3730	75	4,538	5 x 26.5 x 16	\$3,155	GA (V1)
	10	CFW110017T40N1Z	CFDB5-75-3730	75	4,538	5 x 26.5 x 16	\$3,155	GA (V1)
	15	CFW110024T40N1Z	CFDB5-50-5595	50	6,400	10 x 28 x 13	\$4,555	GA (V1)
	20	CFW110031T40N1Z	CFDB5-38-7460	38	8,379	10 x 28 x 13	\$4,555	GA (V1)
	25	CFW110038T40N1Z	CFDB5-30-9325	30	10,935	10 x 28 x 16	\$5,050	GA (V1)
	30	CFW110045T40N1Z	CFDB5-25-11190	25	12,800	10 x 28 x 16	\$5,425	GA (V1)
	40	CFW110058T40N1Z	CFDB5-19-14920	19	16,758	24 x 30 x 18	\$9,460	GA (V1)
	50/60	CFW110070T40N1Z	CFDB5-15-22380	15	25,005	24 x 30 x 18	\$10,865	GA (V1)
	75	CFW110088T40N1Z	CFDB5-10-27975	10	32,000	32 x 30 x 18	\$15,605	GA (V1)
	75	CFW110105T40N1DBZ	CFDB5-10-27975	10	32,000	32 x 30 x 18	\$15,605	GA (V1)
	100/125	CFW110142T40N1DBZ	CFDB5-8-46625	8	50,700	32 x 30 x 18	\$20,600	GA (V1)
	150	CFW110180T40N1DBZ	CFDB5-5-55950	5	64,000	48 x 30 x 18	\$20,070	GA (V1)
	175	CFW110211T40N1DBZ	CFDB5-5-74600	5	83,790	72 x 30 x 18	\$33,780	GA (V1)
	200	CFW110242T4SZ <sup>4</sup>	CFDB5-4-74600	3.8	83,790	30 x 18 x 72	\$33,780	GA (V1)
	250	CFW110312T4SZ <sup>4</sup>	CFDB5-3-93250	3	109,350	30 x 18 x 72	\$33,780	GA (V1)
	300	CFW110370T4SZ <sup>4</sup>	CFDB5-3-111900	2.5	128,000	(2) 30 x 18 x 56	\$57,595	GA (V1)
350	CFW110477T4SZ <sup>4</sup>	CFDB5-3-130550	2.2	142,560	(2) 30 x 18 x 56	\$57,595	GA (V1)	
400	CFW110515T4SZ <sup>4</sup>	CFDB5-2-149200	1.9	167,580	(2) 30 x 18 x 56	\$78,115	GA (V1)	
500	CFW110601T4SZ <sup>4</sup>	CFDB5-2-186500	1.5	210,675	(2) 30 x 18 x 56	\$78,115	GA (V1)	
600	CFW110720T4SZ <sup>4</sup>						Consult with WEG	GA (V1)

## NOTES:

1) "HP" rating based on "average FLA values". Use as a guide only.

2) Dynamic Braking Resistors are non-stock items. Consult WEG for availability.

3) Dimensions are provided for estimating purposes only.

4) Drive without built in dynamic braking chopper. The external dynamic braking chopper module "DBW03XXXX" must be purchased separately. Please refer to CFW11 "Options and Accessories" section for more detail.

## CFW900 – System Drive

The CFW900 is a high-tech VFD for driving and controlling three-phase induction and permanent magnet motors. It offers excellent static and dynamic performance and highly precise torque, speed, and position control. It can be used in a wide range of applications due to its high overload capacity. Thanks to its technology, the CFW900 variable speed drive provides energy savings, safety, increased productivity, and quality in the process network in which it is implemented. It allows quick and easy access to the application information and configuration settings. Using a menu structure, the new interface of the CFW900 line offers an unprecedented user interactive experience, providing settings and configurations with a detailed description of the parameters right on the HMI, in addition to event logs with date and time and a setup wizard.



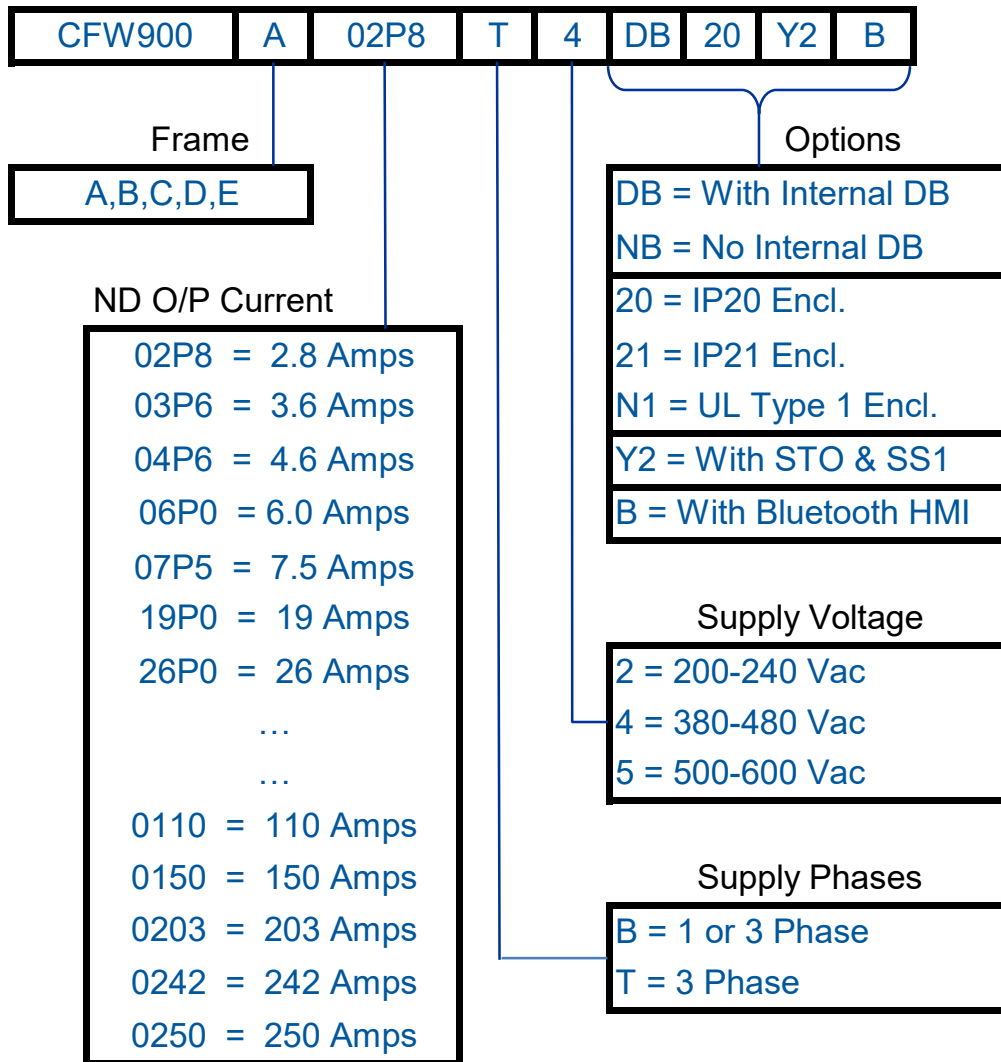
### Standard Features

- IP20 Enclosure Protection class. (UL Type 1 with optional kit).
- Dual DC link inductors enable compliance with IEC 61000-3-2 & 61000-3-12 requirements regarding harmonics, (no need for external line reactance.)
- Normal duty and heavy-duty ratings to adapt to all kinds of loads.
- Conformal coated circuit board as per Class 3C2 in compliance with IEC 60721-3-3.
- Control Mode: Scalar, VVW (Voltage Vector WEG), Vector Control (Sensorless and closed loop with encoder feedback), VVW PM (suitable for fan, Pump, and compressor).
- Smart Thermal management allowing automatic adjustment of the switching frequency to keep the motor running in adverse conditions of high temperature.
- IoT – Ready VFD with MQTT protocol allows direct integration with WEG MFM.
- Specific PWM Modulation function eliminates the need of an output filter up to 200m motor cable length.
- 4 independent slots with the possibility of expansion to 7 slots to accommodate optional modules. (Any module can be mounted in any slot in any quantity, except the communication module which is limited to one per drive.)
- Detachable Modern Text/Graphic Keypad with USB port, built-in Bluetooth
- (Bluetooth allows easy programming & and monitoring of CFW900 using
- Cell phone app “WEG WPS”), Real-time clock with event log, copy function, Oriented start-up, and online help.
- Built-in as a standard:
  - RFI filter meeting the requirements of electromagnetic compatibility directive “EMC Directive 2004/108/EC”.
  - Advanced SoftPLC (PLC functionality).
  - 24Vdc power supply (max. 800 mA); can also accept external 24Vdc power to keep control & communication circuits active.
  - RS-485 (Modbus RTU) port
  - Dual Ethernet ports (Ethernet/IP or Modbus TCP)
  - STO (Safe Torque Off) and SS1 (Safe Stop, time controlled) safety functions meet SIL3 & Ple / Category 4 requirements, eliminating need of Safety relay/ safety contactors.

### Applications

- Pumps
- Fans/Blowers
- Conveyors
- Crushers
- Compressors
- Agitators and Mixers
- Extruders
- Grizzly Feeders
- Centrifuges
- Cranes and Hoists
- Rollout Tables
- Presses
- Saws

### CFW900 CATALOG NUMBER SEQUENCE



# Variable Frequency Drives

## CFW900

### DRIVE RATINGS

#### Normal Duty (ND) Cycle:

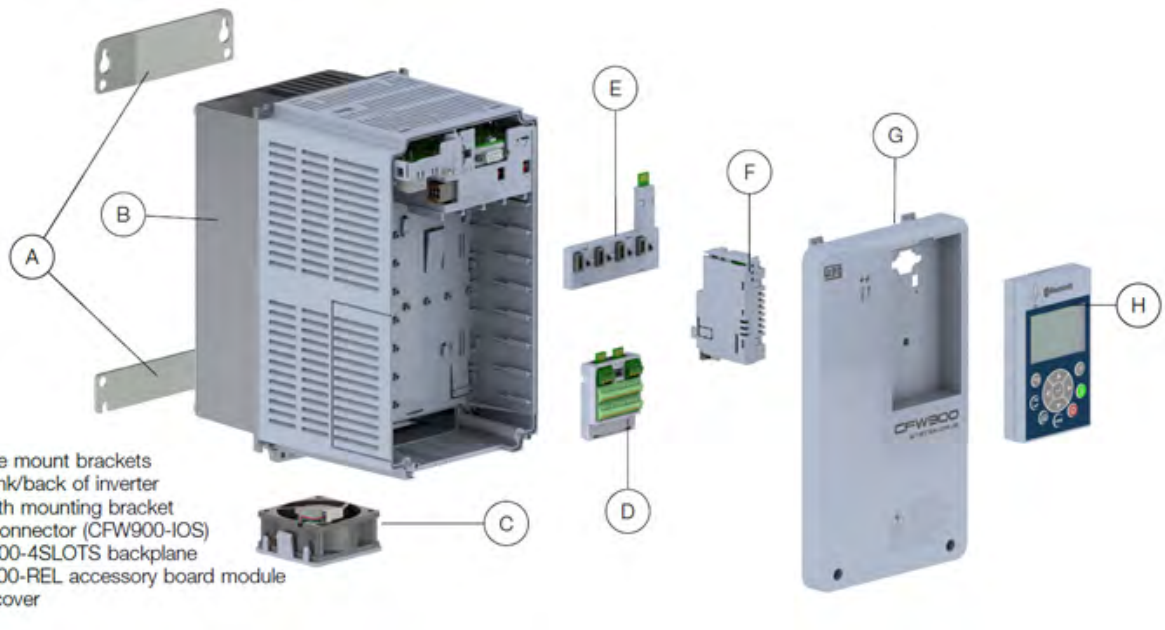
- 110% for 60 seconds every 5 minutes.
- 150% for 3 seconds every 5 minutes.

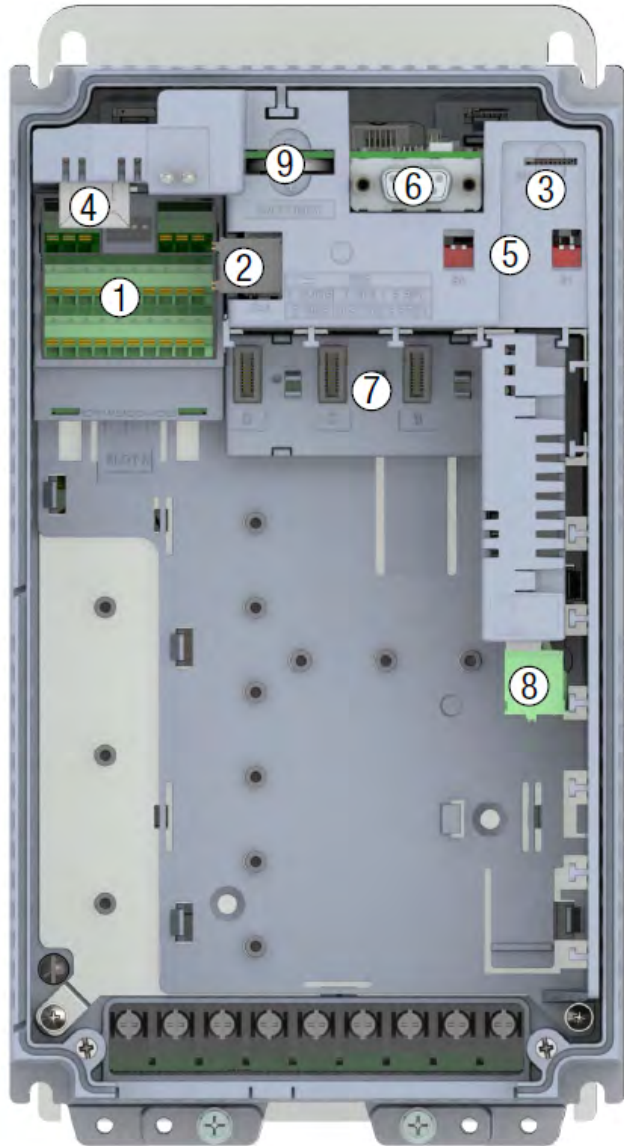
#### Heavy Duty (HD) Cycle:

- 150% for 60 seconds every 5 minutes.
- 200% for 3 seconds every 5 minutes.

#### Sizing the drive:

The correct way to select a VFD is to match its output current with the motor-rated current. However, the tables in this catalog also present the expected motor horsepower for each VFD model as per WEG W22, 4-pole NEMA Premium Motor ratings. Use these horsepower ratings only as a guide.





Item	Description
1	XC1 Connector (CFW900-IOS): digital and analog inputs and outputs, input for external power supply and RS-485 communication
2	XC2 Connector (safety module): STO and SS1-t functions
3	XC3 connector (microSD card slot): allows copying parameters and storing SoftPLC programs (see the programming manual); micro SD Card is not supplied with CFW900, available as an optional accessory.
4	XC4A and XC4B connectors: dual port ethernet connection (RJ45) (see the ethernet communication manual)
5	DIP switches S1 and S2: safety module configuration
6	XC6 connector: DB9 connector for connecting the HMI/remote HMI
7	"Backplane CFW900-4SLOTS: provides four slots to connect accessories. By default, slot A is taken by the CFW900-REL-01. It can be replaced by the CFW900-7SLOTS, which has seven slots for accessories."
8	XC30 (CFW900-REL-01): Relay output
9	CR2032 battery for real time clock. Use non-conductive pliers or tweezers to remove/replace the battery



**CFW900-IP20 Enclosure**



**CFW900 with UL Type 1 kit**



**CFW900 with IP21 kit**

# Variable Frequency Drives



## CFW900

### CFW900 - IP20 - 230VAC

Motor Voltage	ND / VT <sup>1</sup>		HD / CT <sup>1</sup>		Catalog Number	Braking Transistor	Frame Size <sup>4</sup>	Dimensions (in.) HxWxD	Approx. Weight (lbs.)	List Price	Multiplier Symbol	
	Motor HP <sup>2</sup>	Drive Amps <sup>3</sup>	Motor HP <sup>2</sup>	Drive Amps <sup>3</sup>								
230 Vac / 3 Phase	<b>Input Power Supply: Single or Three-Phase 200-240 Vac with Dynamic Braking Transistor</b>											
	1 1/2	4.6	1 1/2	4.6	CFW900A04P6B2DB20Y2B	Yes	A	10.6 x 5.7 x 8.7	9.9	\$1,570	V1P	
	2	6	2	6	CFW900A06P0B2DB20Y2B	Yes	A	10.6 x 5.7 x 8.7	9.9	\$1,644	V1P	
	2	7.5	2	7.5	CFW900A07P5B2DB20Y2B	Yes	A	10.6 x 5.7 x 8.7	9.9	\$1,716	V1P	
	3	10	3	10	CFW900A10P0B2DB20Y2B	Yes	A	10.6 x 5.7 x 8.7	9.9	\$1,812	V1P	
	<b>Input Power Supply: Three-Phase 200-240 Vac with Dynamic Braking Transistor</b>											
	1 1/2	4.6	1 1/2	4.6	CFW900A04P6T2DB20Y2B	Yes	A	10.6 x 5.7 x 8.7	9.9	\$1,498	V1P	
	2	6	1 1/2	5	CFW900A06P0T2DB20Y2B	Yes	A	10.6 x 5.7 x 8.7	9.9	\$1,538	V1P	
	2	7.5	2	6.8	CFW900A07P5T2DB20Y2B	Yes	A	10.6 x 5.7 x 8.7	9.9	\$1,620	V1P	
	3	10.6	3	9.6	CFW900A10P6T2DB20Y2B	Yes	A	10.6 x 5.7 x 8.7	9.9	\$1,692	V1P	
	5	13	3	11	CFW900A13P0T2DB20Y2B	Yes	A	10.6 x 5.7 x 8.7	9.9	\$1,728	V1P	
	7 1/2	19	5	16	CFW900A19P0T2DB20Y2B	Yes	A	10.6 x 5.7 x 8.7	9.9	\$1,850	V1P	
	10	26	7 1/2	22	CFW900B26P0T2DB20Y2B	Yes	B	15.2 x 6.5 x 9	22.0	\$2,424	V1P	
	10	34	10	28	CFW900B34P0T2DB20Y2B	Yes	B	15.2 x 6.5 x 9	22.0	\$2,641	V1P	
	15	45	10	35	CFW900B45P0T2DB20Y2B	Yes	B	15.2 x 6.5 x 9	22.0	\$3,641	V1P	
	20	56	15	47	CFW900C56P0T2DB20Y2B	Yes	C	18.1 x 7.9 x 11.6	45.2	\$4,400	V1P	
	25	70	20/25	59	CFW900C70P0T2DB20Y2B	Yes	C	18.1 x 7.9 x 11.6	45.2	\$5,700	V1P	
	30	80	25	70	CFW900C80P0T2DB20Y2B	Yes	C	18.1 x 7.9 x 11.6	45.2	\$7,100	V1P	
	40	110	30	92	CFW900D0110T2DB20Y2B	Yes	D	24.6 x 9.8 x 11.6	73.8	\$9,000	V1P	
	50	135	40	110	CFW900D0135T2DB20Y2B	Yes	D	24.6 x 9.8 x 11.6	73.8	\$12,037	V1P	
60	150	50	124	CFW900D0150T2DB20Y2B	Yes	D	24.6 x 9.8 x 11.6	73.8	\$13,295	V1P		
75	172	60	150	CFW900E0172T2DB20Y2B	Yes	E	26.6 x 13.2 x 14.1	140.0	\$14,553	V1P		
75	195	60	160	CFW900E0195T2DB20Y2B	Yes	E	26.6 x 13.2 x 14.1	140.0	\$17,922	V1P		
100	250	75	211	CFW900E0250T2DB20Y2B	Yes	E	26.6 x 13.2 x 14.1	140.0	\$20,866	V1P		
<b>Input Power Supply: Three-Phase 200-240 Vac without Dynamic Braking Transistor</b>												
40	110	30	92	CFW900D0110T2NB20Y2B	No	D	24.6 x 9.8 x 11.6	73.8	\$8,550	V1P		
50	135	40	110	CFW900D0135T2NB20Y2B	No	D	24.6 x 9.8 x 11.6	73.8	\$11,250	V1P		
60	150	50	124	CFW900D0150T2NB20Y2B	No	D	24.6 x 9.8 x 11.6	73.8	\$12,425	V1P		
75	172	60	150	CFW900E0172T2NB20Y2B	No	E	26.6 x 13.2 x 14.1	140.0	\$13,600	V1P		
75	195	60	160	CFW900E0195T2NB20Y2B	No	E	26.6 x 13.2 x 14.1	140.0	\$16,750	V1P		
100	250	75	211	CFW900E0250T2NB20Y2B	No	E	26.6 x 13.2 x 14.1	140.0	\$19,500	V1P		

**NOTES:**

1) ND/ VT = Normal Duty / Variable Torque (Quadratic Load), 110% overload / 60 sec OR 150% overload / 3 sec, every 5 minutes.

HD/ CT = Heavy Duty / Constant Torque, 150% overload / 60 sec OR 200% overload / 3 sec, every 5 minutes.

2) "HP" rating based on WEG 4-Pole W22 motors' "average FLA values." Use as a guide only.

3) Motor FLA may vary with speed and manufacturer. ALWAYS compare motor FLA to Nominal AMPS of the drive.

4) Frame A to D: Maximum 122°F (50°C) ambient temperature (w/o derating) with factory default settings for Intelligent Thermal Management (Active) and switching frequency (4 kHz).

Frame E: Maximum 113°F (45°C) ambient temperature (w/o derating) with factory default settings for Intelligent Thermal Management (Active) and switching frequency (2 kHz).



### CFW900 - IP20 - 460VAC

Motor Voltage	ND / VT <sup>1</sup>		HD / CT <sup>1</sup>		Catalog Number	Braking Transistor	Frame Size <sup>4</sup>	Dimensions (in.) HxWxD	Approx. Weight (lbs.)	List Price	Multiplier Symbol	
	Motor HP <sup>2</sup>	Drive Amps <sup>3</sup>	Motor HP <sup>2</sup>	Drive Amps <sup>3</sup>								
460 Vac / 3 Phase	<b>Input Power Supply: Three-Phase 380-480 Vac with Dynamic Braking Transistor</b>											
	2	2.8	1 1/2	2.4	CFW900A02P8T4DB20Y2B	Yes	A	10.6 x 5.7 x 8.7	9.9	\$1,580	V1P	
	2	3.6	2	2.8	CFW900A03P6T4DB20Y2B	Yes	A	10.6 x 5.7 x 8.7	9.9	\$1,616	V1P	
	3	4.8	2	3.9	CFW900A04P8T4DB20Y2B	Yes	A	10.6 x 5.7 x 8.7	9.9	\$1,650	V1P	
	5	6.5	3	5.3	CFW900A06P5T4DB20Y2B	Yes	A	10.6 x 5.7 x 8.7	9.9	\$1,712	V1P	
	7 1/2	9.6	5	8	CFW900A09P6T4DB20Y2B	Yes	A	10.6 x 5.7 x 8.7	9.9	\$1,969	V1P	
	10	14	7 1/2	12	CFW900A14P0T4DB20Y2B	Yes	A	10.6 x 5.7 x 8.7	9.9	\$2,068	V1P	
	10	17	10	17	CFW900A17P0T4DB20Y2B	Yes	A	10.6 x 5.7 x 8.7	9.9	\$2,500	V1P	
	15/20	26	15	21	CFW900B26P0T4DB20Y2B	Yes	B	15.2 x 6.5 x 9	22.0	\$3,085	V1P	
	25	33	20	28	CFW900B33P0T4DB20Y2B	Yes	B	15.2 x 6.5 x 9	22.0	\$3,873	V1P	
	30	39	25	33	CFW900B39P0T4DB20Y2B	Yes	B	15.2 x 6.5 x 9	22.0	\$4,300	V1P	
	40	50	30	40	CFW900C50P0T4DB20Y2B	Yes	C	18.1 x 7.9 x 11.6	45.2	\$5,400	V1P	
	50	62	40	50	CFW900C62P0T4DB20Y2B	Yes	C	18.1 x 7.9 x 11.6	45.2	\$6,633	V1P	
	60	74	50	62	CFW900C74P0T4DB20Y2B	Yes	C	18.1 x 7.9 x 11.6	45.2	\$7,500	V1P	
	75	96	60	75	CFW900D96P0T4DB20Y2B	Yes	D	24.6 x 9.8 x 11.6	73.8	\$10,372	V1P	
	100	124	75	103	CFW900D0124T4DB20Y2B	Yes	D	24.6 x 9.8 x 11.6	73.8	\$11,876	V1P	
	125	146	100	124	CFW900D0146T4DB20Y2B	Yes	D	24.6 x 9.8 x 11.6	73.8	\$13,374	V1P	
	150	172	125	146	CFW900E0172T4DB20Y2B	Yes	E	26.6 x 13.2 x 14.1	140.0	\$16,049	V1P	
	175	203	125	161	CFW900E0203T4DB20Y2B	Yes	E	26.6 x 13.2 x 14.1	140.0	\$18,725	V1P	
	200	242	150	190	CFW900E0242T4DB20Y2B	Yes	E	26.6 x 13.2 x 14.1	140.0	\$22,470	V1P	
<b>Input Power Supply: Three-Phase 380-480 Vac without Dynamic Braking Transistor</b>												
75	96	60	75	CFW900D96P0T4NB20Y2B	No	D	24.6 x 9.8 x 11.6	73.8	\$9,695	V1P		
100	124	75	103	CFW900D0124T4NB20Y2B	No	D	24.6 x 9.8 x 11.6	73.8	\$11,100	V1P		
125	146	100	124	CFW900D0146T4NB20Y2B	No	D	24.6 x 9.8 x 11.6	73.8	\$12,500	V1P		
150	172	125	146	CFW900E0172T4NB20Y2B	No	E	26.6 x 13.2 x 14.1	140.0	\$15,000	V1P		
175	203	125	161	CFW900E0203T4NB20Y2B	No	E	26.6 x 13.2 x 14.1	140.0	\$17,500	V1P		
200	242	150	190	CFW900E0242T4NB20Y2B	No	E	26.6 x 13.2 x 14.1	140.0	\$21,000	V1P		

**NOTES:**

- 1) ND/ VT = Normal Duty / Variable Torque (Quadratic Load), 110% overload / 60 sec OR 150% overload / 3 sec, every 5 minutes.  
HD/ CT = Heavy Duty / Constant Torque, 150% overload / 60 sec OR 200% overload / 3 sec, every 5 minutes.
- 2) "HP" rating based on WEG 4-Pole W22 motors' "average FLA values." Use as a guide only.
- 3) Motor FLA may vary with speed and manufacturer. ALWAYS compare motor FLA to Nominal AMPS of the drive.
- 4) Frame A to D: Maximum 122°F (50°C) ambient temperature (w/o derating) with factory default settings for Intelligent Thermal Management (Active) and switching frequency (4 kHz).  
Frame E: Maximum 113°F (45°C) ambient temperature (w/o derating) with factory default settings for Intelligent Thermal Management (Active) and switching frequency (2 kHz).

## CFW900

### Options and Accessories

Type	Catalog Number	Description	Apprx. Shpg. Wt. (lbs.)	List Price	Multiplier Symbol
CFW900 I/O Expansion Modules <sup>1</sup>	CFW900-IOAI-01	3 Isolated Analog Inputs: Impedance: > 400 Kohm (Voltage), 250 Ohm (Current) AI1: Voltage 0 to 10v, 12 bits; Current 0/4 to 20 mA, 11 bits AI2 & AI3: Voltage -10/0 to 10v, 11 bits + signal; Current - 0/4 to 20 mA, 10 bits 2 Isolated Analog Outputs: RL ≥ 1 Kohm (Voltage) or RL ≤ 600 ohm (Current) AO1 & AO2: Voltage 0 to 10v, 12 bits; Current - 0/4 to 20 mA, 12 bits	0.5	\$605	V1P
	CFW900-IOD-01	8 configurable (NPN or PNP) isolated inputs, Max. Voltage: 30 Vdc. 8 configurable isolated digital outputs with solid-state relay: 30 Vdc.	0.5	\$455	V1P
	CFW900-REL-01	3 Relay outputs (one module supplied as a standard with CFW900 Drive) Relay Output# 1: Form C (NO & NC contacts) Relay Output # 2 & 3: Form A (NO contact) Maximum voltage: 30 Vdc, 250 Vac, OVC III Maximum current: 2 A	0.5	\$200	V1P
Temperature Transducers Modules <sup>1</sup>	CFW900-TEMP-01	Six (6) isolated inputs for PTC / PT100 or PT1000 Sensors (2-wire or 3-wire connections). All sensors must be of same type.	0.5	\$390	V1P
Encoder Modules <sup>1</sup>	CFW900-ENC-01	Incremental encoder with a signal up to 310 kHz and repeater	0.5	\$435	V1P
Communication Modules <sup>2</sup>	CFW900-CCAN-W	CAN interface module (CANopen / DeviceNet)	0.5	\$275	V1P
	CFW900-CPDP-N <sup>3</sup>	Profibus DP-V1 interface module	0.5	\$1,460	V1P
	CFW900-CPN-IRT-N <sup>3</sup>	Profinet IRT interface module - 2 Ports	0.5	\$2,810	V1P
	CFW900-CECAT-N <sup>3</sup>	EtherCAT interface module - 2 Ports	0.5	\$2,065	V1P
Backplane - Slot for Accessories	CFW900-4SLOTS	Backplane with 4 Slots (supplied as a standard with CFW900 Drive)	0.5	\$200	V1P
	CFW900-7SLOTS	Backplane with 7 Slots	0.5	\$250	V1P
Keypad Accessories	CFW900-HMI-BLT	CFW900 standard keypad with Bluetooth	0.2	\$390	V1P
	CFW900-RHMIF	CFW900 Remote keypad frame kit, UL Type 12	0.5	\$70	V1P
Remote Keypad Cables	CFW900-CCHMIR01M	1m (3.3ft) Remote Keypad Cable	0.7	\$55	V1P
	CFW900-CCHMIR02M	2m (6.6ft) Remote Keypad Cable	1.5	\$60	V1P
	CFW900-CCHMIR03M	3m (10ft) Remote Keypad Cable	2	\$70	V1P
	CFW900-CCHMIR05M	5m (16ft) Remote Keypad Cable	2.6	\$80	V1P
	CFW900-CCHMIR07M	7.5m (25ft) Remote Keypad Cable	3.3	\$95	V1P
	CFW900-CCHMIR10M	10m (33ft) Remote Keypad Cable	4.0	\$105	V1P
UL Type 1 (NEMA1) Kits	CFW900-KN1A	UL Type 1 (NEMA1) - Conduit kit for CFW900 frame size A	22.0	\$85	V1P
	CFW900-KN1B	UL Type 1 (NEMA1) - Conduit kit for CFW900 frame size B	16.0	\$105	V1P
	CFW900-KN1C <sup>3</sup>	UL Type 1 (NEMA1) - Conduit kit for CFW900 frame size C	18.0	\$120	V1P
	CFW900-KN1D <sup>3</sup>	UL Type 1 (NEMA1) - Conduit kit for CFW900 frame size D	28.0	\$170	V1P
	CFW900-KN1E <sup>3</sup>	UL Type 1 (NEMA1) - Conduit kit for CFW900 frame size E	28.0	\$220	V1P
IP21 kits	CFW900-IP21A	IP21 - Kit for CFW900 frame size A (top cover)	8.5	\$100	V1P
	CFW900-IP21B	IP21 - Kit for CFW900 frame size B (top cover)	8.5	\$105	V1P
	CFW900-IP21C	IP21 - Kit for CFW900 frame size C (top cover)	8.5	\$110	V1P
	CFW900-IP21D	IP21 - Kit for CFW900 frame size D (top cover)	8.8	\$125	V1P
	CFW900-IP21E	IP21 - Kit for CFW900 frame size E (top cover)	10.7	\$140	V1P
microSD Card	SDC-8GB <sup>4</sup>	8GB industrial temperature microSD card	0.5	\$290	V1P
Demo Suitcase	CFW900-DEMG-ENC-BLK	CFW900 Demo Suitcase (black color) with Encoder	48.0	\$11,390	V1P

**NOTES:**

- 1) These accessories can be installed in any available slot of the Drive. Up to 7 accessories of the same type can be used.
- 2) It is only possible to use one communication module per inverter.
- 3) UL Listing is in progress. The Items will be available in 3rd Q of 2024.
- 4) Not UL listed.



### Technical Data

Input AC Power Supply	Voltage	Single Phase or Three Phase	Frame-A, B & C: 200-240 Vac (+10%, -15%) Frame-D & E: 208-240 Vac (+10%, -15%) 208-220V ac (+10%, -10%)	
		Three phase	380-480 Vac (+10%, -15%)	
	Frequency	50 / 60 Hz (Range: 48... 63Hz)		
	Phase Unbalance	≤ 3% between line voltages		
	Overvoltages / transients	Category III (EN 61010 / IEC61800-5-1 / UL61800-5-1)		
	Drive Power factor for rated condition - ND	For Single Phase or Three Phase, 200Vac drives (B2)	Single Phase: 0.70 Three Phase: 0.77	
		For three Phase (T2 or T4)	0.93	
	Inverter displacement factor (cos phi)	≥ 0.98		
Harmonic distortion of the input current (THDi)	≤ 42% for 75 to 100% of Drive nominal output current (ND) for balanced power supply			
Drive Output	Output Frequency	0 to 500 Hz for Frame A... D <sup>1</sup> 0 to 250 Hz for Frame E <sup>1</sup>		
		Switching Frequency	Rated <sup>2</sup>	Frames A to D : 4 kHz Frame E : 2kHz
	Adjustment range <sup>3,4</sup>		Frames A to D : 1.5 to 16 kHz Frame E : 1 to 8 kHz	
	Maximum motor Cable length	No need to use output filter: 200 m (over 100m, it is necessary to use PWM modulation for long cables) <sup>5</sup>		
General Data	RFI Filter	Built-In as a standard; Category C3.		
Enclosure	Drive	IP20 (UL Type 1 with optional kit)		
	Drive heat sink	UL Type 12		
Ambient	Max. operating ambient Temperature without D-rating (with Active Smart Thermal Management Feature) <sup>6</sup>	Surface Mounting	Frame-A to D: 50°C (122°F) Frame-E : 45°C (113°F)	
		Flange Mounting	Frame-A to E front : 60°C (140°F) <sup>7</sup> Frame-A to D Heatsink : 50°C (122°F) Frame-E Heatsink: 45°C (113°F)	
	Min. operating ambient Temperature		-10°C (14°F)	
	Humidity		5 ... 95 % non-condensing	
	Altitude	1000 meter w/o Derating; up to 4000 meter with derating <sup>8</sup>		
	Pollution degree	2 (EN50178 / IEC61800-5-1 / UL61800-5-1)		
	Conformal Coating	3C2 (IEC 60721-3-3:2002)		

**NOTES:**

- 1) This output frequency range is valid considering the factory settings (e.g., rated switching frequency). It is possible to operate with higher output frequencies, limited to 1000 Hz, but the rated switching frequency must be increased. In these cases, WEG must be consulted.
- 2) The switching frequency can be automatically reduced due to inverter output overload, high ambient temperature, obstruction of air the circulation around the heatsink and/or operation with low output frequency.
- 3) For an operation with a switching frequency above the rated switching frequency, it is necessary to derate the drive output current. Please refer to the CFW900 user manual for more information.
- 4) Adjustment in 0.1 kHz steps.
- 5) The modulation type can be changed in parameter C1.4.1
- 6) The CFW900 can be used up to 60 °C max. ambient temperature with derating. Please refer to the CFW900 user manual for proper derating factor.
- 7) Exception: models CFW900C74P0T4 and CFW900D0146T4 that have specification of 55 °C (131 °F). For operation above 55 °C it is necessary to apply derating of 2% / °C.
- 8) Please refer to the CFW900 user manual for proper derating factor for altitude higher than 1000 meter.

## CFW900

### Technical Data

<b>Motor Control</b>	Method	Voltage Source
	Type of Control	V/F (Scalar)
		VVW: Voltage vector control
		Vector control with encoder
		Sensorless Vector control
	Supported Motors	Induction Machine Permanent magnet motor
Modulation	SVPWM space vector PWM standard PWM optimized for long output cables	
<b>Safety</b>	Drive Protection	Output overcurrent/short-circuit
		Under/overvoltage
		Phase loss
		Overtemperature
		Overload on the motor, braking resistor and IGBTs
		Output phase-ground short-circuit
Functions (Built-in)	Safe torque off (STO) as per IEC 61800-5-2 or Stop category 0 as per IEC 60204-1	
	Safe stop 1 time controlled (SS1-t) as per IEC 61800-5-2 or Stop category 1 as per IEC 60204-1	
Category	SIL 3, as per IEC 61508 / IEC 62061 / IEC 61800-5-2 PL e / category 4, as per ISO 13849-1	
STO1 and STO2 Digital Input	Redundant inputs for OSSD signals or dry contact signals	
SP1 and SP2 test digital output	Outputs to power dry contact	
24VS power supply input	Input for 24 V power supply $\pm 15\%$ to the internal safety module	
<b>Integral Keypad (HMI)</b>	12 operator keys: Run/Stop, Direction of Rotation, Jog, Local/ Remote and browsing buttons: Left, Right, Up, Down, Enter, Back and Help	
	Graphical LCD display	
	View/edition of all parameters	
	Option of external mounting using: 1. unshielded pin-to-pin DB9 cable up to 20 m 2. shielded pin-to-pin DB9 cable up to 100 m.	
	Communication with smartphone using Bluetooth (for models equipped with CFW900-HMI-BLT).	
	USB communication with PC using WEG WPS	
	Allows powering the HMI and the control board through the USB port for inverter parameterization without powering up the network or DC link.	
	Bluetooth	
<b>MicroSD Card Slot</b>	One microSD card slot	
	Graphical LCD display	
	View/edition of all parameters	
	Card requirements: Maximum size of 32 GB; Industrial Temperature (-40 °C (-40 °F) to 85 °C (185 °F)); FAT32 file system.	
	MicroSD card not included with Drive	

### Technical Data

<b>Digital Inputs</b>	Six (6) Digital inputs		
	Digital input DI1 to DI4	isolated digital inputs.	
		Low level: Vdc -3 V to 5 V, I<1.5 mA	
		High level: Vdc > 11 V, I>2 mA	
		Current 8 mA@24V (Typical)	
		Maximum voltage: 30 Vdc	
	Digital input DI5 and DI6	isolated digital inputs.	
		Low level: Vdc -3 V to 5 V, I<1.5 mA	
		High level: Vdc > 11 V, I>2 mA	
		Current 8 mA@24V (Typical)	
Maximum voltage: 30 Vdc			
<b>Digital Outputs</b>	2 transistor digital outputs (NPN)		
	Isolated from power circuits		
	Maximum current: 40 mA		
	Protected against short circuit to the GND		
	Maximum voltage: 24 Vdc		
	With freewheeling diode for 24 Vdc power supply		
<b>Relay Outputs (supplied with drive as a standard using one (1) CFW900-REL-01 module)</b>	3 Relay outputs		
	Relay Output# 1: Form C (NO & NC contacts); Relay Output # 2 & 3: Form A (NO contact)		
	Maximum voltage: 30 Vdc, 250 Vac, OVC III		
	Maximum current: 2 A		
	Minimum current: 10 mA @5 Vdc		
	400 V TVS between contacts		
	Functional isolation between each relay output		
<b>Analog Inputs</b>	2 differential analog inputs		
	Isolated from power circuits		
	Levels: -10/0 at 10 V (11 bits + signal), 0/4 at 20 mA (10 bits)		
	Maximum voltage: 30 V		
	Maximum current: 25 mA		
	Impedance: 400 kΩ (voltage mode), 250 Ω (current mode)		
<b>Analog outputs</b>	2 analog outputs		
	Isolated from power circuits		
	Levels: 0 at 10 V (12 bits), 0/4 at 20 mA (12 bits)		
	Load: $R_L \geq 1 \text{ Kohm}$ (Voltage) or $R_L \leq 600 \text{ ohm}$ (Current)		
	<b>Communication</b>	RS-485	Isolated RS-485 Interface
Modbus-RTU Protocol			
Can be used to program the inverter via WEG WPS software application			
Dual Ethernet Ports		Two RJ-45 Ethernet connectors	
		10/100 Mbps data rate with built-in dual port switch	
		Protocol: Ethernet/IP or Modbus TCP	
		Can be used to program the inverter via WEG WPS software application	

## CFW900

### Technical Data

<b>Safety Standards</b>	UL61800-5-1 - "Adjustable Speed Electrical Power Drive Systems - Part 5-1: Safety Requirements - Electrical, Thermal and Energy". Note: "Suitable for Installation in a compartment handling conditioned air"	
	EN 61800-5-1 - "Safety requirements electrical, thermal and energy" isolated digital inputs.	
	EN 50178 - "Electronic equipment for use in power installations"	
<b>Specification standards</b>	EN 60146 (IEC 146) - "Semiconductor converters"	
	EN 61800-2 - "Adjustable speed electrical power drive systems - Part 2: general requirements - Rating specifications for low voltage adjustable frequency AC power drive systems"	
<b>Electromagnetic compatibility standards (EMC)</b>	EN 61800-3 - "Adjustable speed electrical power drive systems - Part 3: EMC product standard including specific test methods"	
	EN 55011 - "Limits and methods of measurement of radio disturbance characteristics of industrial, scientific and medical (ISM) radio-frequency equipment"	
	CISPR 11 - Industrial, scientific and medical (ISM) radio-frequency equipment isolated digital inputs.	
	EN 61000-4-2 - "Electromagnetic compatibility (EMC) - Part 4: testing and measurement techniques - Sec. 2: electrostatic discharge immunity test"	
	EN 61000-4-3 - "Electromagnetic compatibility (EMC) - Part 4: testing and measurement techniques - Sec. 3: radiated, radio-frequency, electromagnetic field immunity test"	
	EN 61000-4-4 - "Electromagnetic compatibility (EMC) - Part 4: testing and measurement techniques - Sec. 4: electrical fast transient/burst immunity test"	
	EN 61000-4-5 - "Electromagnetic compatibility (EMC) - Part 4: testing and measurement techniques - Sec. 5: surge immunity test"	
	EN 61000-4-6 - "Electromagnetic compatibility (EMC) - Part 4: testing and measurement techniques - Sec. 6: immunity to conducted disturbances, induced by radio-frequency fields"	
	EN 61000-4-11 - "Testing and measurement techniques - Voltage dips, short interruptions and voltage variations immunity tests"	
	<b>Frame standards</b>	EN 60529 - "Degrees of protection provided by enclosures (IP code)"
UL 50 - "Enclosures for electrical equipment"		
<b>Ecodesign standards</b>	IEC 61800-9-2 Parts 1 & 2 - "Adjustable speed electrical power drive systems - Ecodesign for power drive systems, motor starters, power electronics and their driven applications"	
<b>Functional safety standards</b>	EN 61800-5-2 - Adjustable speed electrical power drive systems - Part 5-2: Safety requirements - Functional	
	EN ISO 13849-1 - Safety of machinery - Safety-related parts of control systems - Part 1: General principles for design	
	EN 62061 - Safety of machinery - Functional safety of safety-related control systems	
	IEC 61508 Parts 1-7 - Functional safety of electrical/electronic/programmable electronic safety-related systems	
	EN 60204-1 - Safety of machinery - Electrical equipment of machines - Part 1: General requirements	
<b>Directives</b>	Low-Voltage	2014/35/EU
	EMC	2014/30/EU
	RoHS	2011/65/EU 2015/863/EU
	Ecodesign	2009/125/EC
	Machinery	2006/42/EC
<b>Certifications</b>	cULus	E184430
	Functional Safety	TÜV Rheinland Certificate
	CE	European Community
	UKCA	United Kingdom
	EAC	Russia
	C-Tick	Australia & New Zealand
	UL MX NOM	Mexico
	IRAM	Argentina



### Dynamic Braking Resistors – 100% Braking Torque at 20% Duty Cycle (12 Seconds Max. Braking Time) – NEMA1 Enclosure

Motor Voltage	Motor HP (ND) <sup>1</sup>	CFW900 Catalog Number	Braking Resistor Catalog Number <sup>2</sup>	Rated Ohms	Rated Watts	Dimensions (in.) HxWxD <sup>3</sup>	List Price	Multiplier New (Old)
3 / 230 Vac	1 1/2	CFW900A04P6B2DB20Y2B	CFDB2-38-746	38	920	5 x 12 x 10	\$1,025	GA (V1)
	2	CFW900A06P0B2DB20Y2B	CFDB2-38-746	38	920	5 x 12 x 10	\$1,025	GA (V1)
	2	CFW900A07P5B2DB20Y2B	CFDB2-26-1119	26	1,170	5 x 12 x 13	\$1,225	GA (V1)
	3	CFW900A10P0B2DB20Y2B	CFDB2-13-2238	12.6	2,580	5 x 19 x 10	\$1,775	GA (V1)
	1 1/2	CFW900A04P6T2DB20Y2B	CFDB2-63-448	63	500	5 x 12 x 7	\$825	GA (V1)
	2	CFW900A06P0T2DB20Y2B	CFDB2-63-448	63	500	5 x 12 x 7	\$825	GA (V1)
	2	CFW900A07P5T2DB20Y2B	CFDB2-38-746	38	920	5 x 12 x 10	\$1,025	GA (V1)
	3	CFW900A10P6T2DB20Y2B	CFDB2-19-1492	19	1,676	5 x 12 x 16	\$1,430	GA (V1)
	5	CFW900A13P0T2DB20Y2B	CFDB2-19-1492	19	1,676	5 x 12 x 16	\$1,430	GA (V1)
	7 1/2	CFW900A19P0T2DB20Y2B	CFDB2-13-2238	12.6	2,580	5 x 19 x 10	\$1,775	GA (V1)
	10	CFW900B26P0T2DB20Y2B	CFDB2-13-2238	12.6	2,580	5 x 19 x 10	\$1,775	GA (V1)
	10	CFW900B34P0T2DB20Y2B	CFDB2-13-2238	12.6	2,580	5 x 19 x 10	\$1,775	GA (V1)
	15	CFW900B45P0T2DB20Y2B	CFDB2-13-2238	12.6	2,580	5 x 19 x 10	\$1,775	GA (V1)
	20	CFW900C56P0T2DB20Y2B	CFDB2-8-3730	7.5	4,214	5 x 19 x 13	\$2,150	GA (V1)
	25	CFW900C70P0T2DB20Y2B	CFDB2-7-4476	6.3	5,001	5 x 26.5 x 13	\$2,780	GA (V1)
	30	CFW900C80P0T2DB20Y2B	CFDB2-7-4476	6.3	5,001	5 x 26.5 x 13	\$2,780	GA (V1)
	40	CFW900D0110T2DB20Y2B	CFDB2-4-7460	3.9	7,800	10 x 28 x 10	\$4,095	GA (V1)
	50	CFW900D0135T2DB20Y2B	CFDB2-4-7460	3.9	7,800	10 x 28 x 10	\$4,095	GA (V1)
	60	CFW900D0150T2DB20Y2B	CFDB2-4-7460	3.9	7,800	10 x 28 x 10	\$4,095	GA (V1)
	75	CFW900E0172T2DB20Y2B	CFDB2-3-11190	2.7	12,150	10 x 28 x 13	\$6,010	GA (V1)
75	CFW900E0195T2DB20Y2B	CFDB2-3-11190	2.7	12,150	10 x 28 x 13	\$6,010	GA (V1)	
100	CFW900E0250T2DB20Y2B	CFDB2-3-11190	2.7	12,150	10 x 28 x 13	\$6,010	GA (V1)	
3 / 460 Vac	2	CFW900A02P8T4DB20Y2B	CFDB2-100-1119	100	1,280	5 x 12 x 13	\$1,225	GA (V1)
	2	CFW900A03P6T4DB20Y2B	CFDB2-100-1119	100	1,280	5 x 12 x 13	\$1,225	GA (V1)
	3	CFW900A04P8T4DB20Y2B	CFDB2-100-1119	100	1,280	5 x 12 x 13	\$1,225	GA (V1)
	5	CFW900A06P5T4DB20Y2B	CFDB2-100-1119	100	1,280	5 x 12 x 13	\$1,225	GA (V1)
	7 1/2	CFW900A09P6T4DB20Y2B	CFDB2-75-1492	75	1,815	5 x 12 x 16	\$1,430	GA (V1)
	10	CFW900A14P0T4DB20Y2B	CFDB2-38-2984	38	3,352	5 x 19 x 16	\$2,365	GA (V1)
	10	CFW900A17P0T4DB20Y2B	CFDB2-30-3730	30	4,374	5 x 26.5 x 13	\$2,700	GA (V1)
	15/20	CFW900B26P0T4DB20Y2B	CFDB2-38-2984	38	3,352	5 x 19 x 16	\$2,365	GA (V1)
	25	CFW900B33P0T4DB20Y2B	CFDB2-38-2984	38	3,352	5 x 19 x 16	\$2,365	GA (V1)
	30	CFW900B39P0T4DB20Y2B	CFDB2-19-5968	19	6,703	5 x 26.5 x 16	\$3,155	GA (V1)
	40	CFW900C50P0T4DB20Y2B	CFDB2-19-5968	19	6,703	5 x 26.5 x 16	\$3,155	GA (V1)
	50	CFW900C62P0T4DB20Y2B	CFDB2-19-5968	19	6,703	5 x 26.5 x 16	\$3,155	GA (V1)
	60	CFW900C74P0T4DB20Y2B	CFDB2-10-11190	10	12,800	10 x 28 x 16	\$6,050	GA (V1)
	75	CFW900D96P0T4DB20Y2B	CFDB2-5-22380	5	25,600	24 x 30 x 18	\$12,655	GA (V1)
	100	CFW900D0124T4DB20Y2B	CFDB2-5-22380	5	25,600	24 x 30 x 18	\$12,655	GA (V1)
	125	CFW900D0146T4DB20Y2B	CFDB2-5-22380	5	25,600	24 x 30 x 18	\$12,655	GA (V1)
	150	CFW900E0172T4DB20Y2B	CFDB2-5-29840	3.8	33,516	24 x 30 x 18	\$12,655	GA (V1)
	175	CFW900E0203T4DB20Y2B	CFDB2-5-29840	3.8	33,516	24 x 30 x 18	\$12,655	GA (V1)
	200	CFW900E0242T4DB20Y2B	CFDB2-4-29840	3.8	33,516	30 x 18 x 32	\$12,655	GA (V1)

NOTES:  
 1) "HP" rating based on WEG 4-Pole W22 motors' "average FLA values." Use as a guide only.  
 2) Dynamic Braking Resistors are non-stock items. Consult WEG for availability.  
 3) Dimensions are provided for estimating purposes only.

# Variable Frequency Drives



## CFW900

### Dynamic Braking Resistors – 100% Braking Torque at 50% Duty Cycle (30 Seconds Max. Braking Time) – NEMA1 Enclosure

Motor Voltage	Motor HP (ND) <sup>1</sup>	CFW900 Catalog Number	Braking Resistor Catalog Number <sup>2</sup>	Rated Ohms	Rated Watts	Dimensions (in.) HxWxD <sup>3</sup>	List Price	Multiplier New (Old)
3 / 230 Vac	1 1/2	CFW900A04P6B2DB20Y2B	CFDB5-38-1865	38	2,299	5 x 19 x 13	\$1,965	GA (V1)
	2	CFW900A06P0B2DB20Y2B	CFDB5-38-1865	38	2,299	5 x 19 x 13	\$1,965	GA (V1)
	2	CFW900A07P5B2DB20Y2B	CFDB5-26-2798	26	2,925	5 x 26.5 x 13	\$2,700	GA (V1)
	3	CFW900A10P0B2DB20Y2B	CFDB5-13-5595	12.6	6,451	5 x 26.5 x 16	\$3,155	GA (V1)
	1 1/2	CFW900A04P6T2DB20Y2B	CFDB5-63-1119	63	1,250	5 x 12 x 10	\$1,225	GA (V1)
	2	CFW900A06P0T2DB20Y2B	CFDB5-63-1119	63	1,250	5 x 12 x 10	\$1,225	GA (V1)
	2	CFW900A07P5T2DB20Y2B	CFDB5-38-1865	38	2,299	5 x 19 x 13	\$1,965	GA (V1)
	3	CFW900A10P6T2DB20Y2B	CFDB5-19-3730	19	4,190	5 x 26.5 x 13	\$2,700	GA (V1)
	5	CFW900A13P0T2DB20Y2B	CFDB5-19-3730	19	4,190	5 x 26.5 x 13	\$2,700	GA (V1)
	7 1/2	CFW900A19P0T2DB20Y2B	CFDB5-13-5595	12.6	6,451	5 x 26.5 x 16	\$3,155	GA (V1)
	10	CFW900B26P0T2DB20Y2B	CFDB5-13-5595	12.6	6,451	5 x 26.5 x 16	\$3,155	GA (V1)
	10	CFW900B34P0T2DB20Y2B	CFDB5-13-5595	12.6	6,451	5 x 26.5 x 16	\$3,155	GA (V1)
	15	CFW900B45P0T2DB20Y2B	CFDB5-13-5595	12.6	6,451	5 x 26.5 x 16	\$3,155	GA (V1)
	20	CFW900C56P0T2DB20Y2B	CFDB5-8-9325	7.5	10,534	10 x 28 x 13	\$4,990	GA (V1)
	25	CFW900C70P0T2DB20Y2B	CFDB5-7-11190	6.3	12,502	10 x 28 x 16	\$5,620	GA (V1)
	30	CFW900C80P0T2DB20Y2B	CFDB5-7-11190	6.3	12,502	10 x 28 x 16	\$5,620	GA (V1)
	40	CFW900D0110T2DB20Y2B	CFDB5-4-18650	3.9	19,500	24 x 30 x 18	\$11,025	GA (V1)
	50	CFW900D0135T2DB20Y2B	CFDB5-4-18650	3.9	19,500	24 x 30 x 18	\$11,025	GA (V1)
	60	CFW900D0150T2DB20Y2B	CFDB5-4-18650	3.9	19,500	24 x 30 x 18	\$11,025	GA (V1)
	75	CFW900E0172T2DB20Y2B	CFDB5-3-27975	2.7	30,375	32 x 30 x 18	\$16,420	GA (V1)
75	CFW900E0195T2DB20Y2B	CFDB5-3-27975	2.7	30,375	32 x 30 x 18	\$16,420	GA (V1)	
100	CFW900E0250T2DB20Y2B	CFDB5-3-27975	2.7	30,375	32 x 30 x 18	\$16,420	GA (V1)	
3 / 460 Vac	2	CFW900A02P8T4DB20Y2B	CFDB5-100-2798	100	3,200	5 x 19 x 16	\$2,365	GA (V1)
	2	CFW900A03P6T4DB20Y2B	CFDB5-100-2798	100	3,200	5 x 19 x 16	\$2,365	GA (V1)
	3	CFW900A04P8T4DB20Y2B	CFDB5-100-2798	100	3,200	5 x 19 x 16	\$2,365	GA (V1)
	5	CFW900A06P5T4DB20Y2B	CFDB5-100-2798	100	3,200	5 x 19 x 16	\$2,365	GA (V1)
	7 1/2	CFW900A09P6T4DB20Y2B	CFDB5-75-3730	75	4,538	5 x 26.5 x 16	\$3,155	GA (V1)
	10	CFW900A14P0T4DB20Y2B	CFDB5-38-7460	38	8,379	10 x 28 x 13	\$4,555	GA (V1)
	10	CFW900A17P0T4DB20Y2B	CFDB5-30-9325	30	10,935	10 x 28 x 16	\$5,050	GA (V1)
	15/20	CFW900B26P0T4DB20Y2B	CFDB5-38-7460	38	8,379	10 x 28 x 13	\$4,555	GA (V1)
	25	CFW900B33P0T4DB20Y2B	CFDB5-38-7460	38	8,379	10 x 28 x 13	\$4,555	GA (V1)
	30	CFW900B39P0T4DB20Y2B	CFDB5-19-14920	19	16,758	24 x 30 x 18	\$9,460	GA (V1)
	40	CFW900C50P0T4DB20Y2B	CFDB5-19-14920	19	16,758	24 x 30 x 18	\$9,460	GA (V1)
	50	CFW900C62P0T4DB20Y2B	CFDB5-19-14920	19	16,758	24 x 30 x 18	\$9,460	GA (V1)
	60	CFW900C74P0T4DB20Y2B	CFDB5-10-27975	10	32,000	32 x 30 x 18	\$15,605	GA (V1)
	75	CFW900D96P0T4DB20Y2B	CFDB5-5-55950	5	64,000	48 x 30 x 18	\$20,070	GA (V1)
	100	CFW900D0124T4DB20Y2B	CFDB5-5-55950	5	64,000	48 x 30 x 18	\$20,070	GA (V1)
	125	CFW900D0146T4DB20Y2B	CFDB5-5-55950	5	64,000	48 x 30 x 18	\$20,070	GA (V1)
	150	CFW900E0172T4DB20Y2B	CFDB5-4-74600	3.8	83,790	30 x 18 x 72	\$33,780	GA (V1)
	175	CFW900E0203T4DB20Y2B	CFDB5-4-74600	3.8	83,790	30 x 18 x 72	\$33,780	GA (V1)
	200	CFW900E0242T4DB20Y2B	CFDB5-4-74600	3.8	83,790	30 x 18 x 72	\$33,780	GA (V1)

**NOTES:**

1) "HP" rating based on WEG 4-Pole W22 motors' "average FLA values." Use as a guide only.

2) Dynamic Braking Resistors are non-stock items. Consult WEG for availability.

3) Dimensions are provided for estimating purposes only.



## CFW11M – Modular Drive

New generation of WEG variable frequency drives for high power ratings, ranging from 450HP-2500HP to with line voltage from 380V to 690V.

### Standard Features:

- CFW11M
- Circuit Breaker with through door handle
- Line Reactor
- 6 pulse Rectifier Bridge
- High Speed fuses on DC Link
- Control Power Transformer
- Standard Enclosure NEMA 12 filtered
- Pre-charge circuit
- Start/Stop push buttons
- E-stop
- Graphic keypad
- All circuit boards conformal coated



### Optional Features

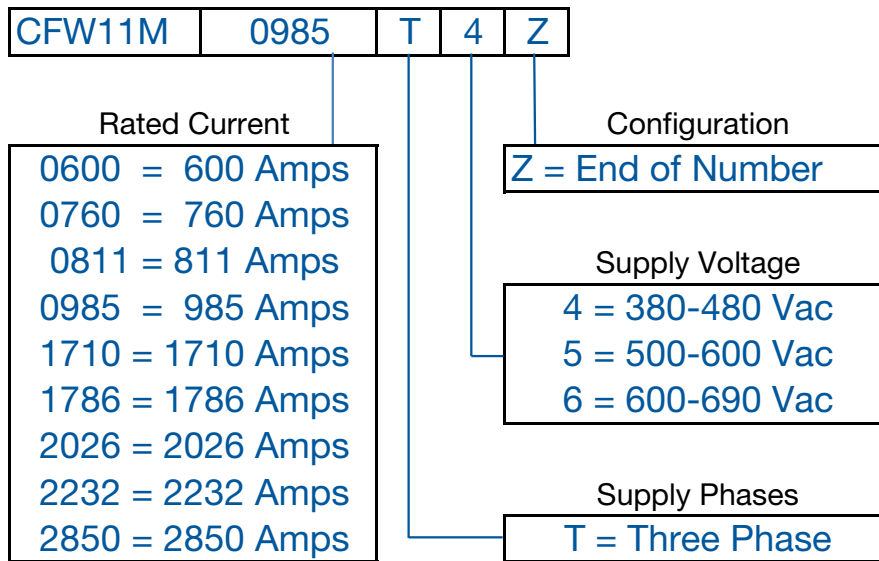
- 12 and 18 pulse available
- NEMA 3R
- Temperature monitoring for RTD sensors

### Applications

- Pumps
- Fans/Blowers
- Conveyers
- Compressors
- Agitators and Mixers
- Extruders
- Grizzly Feeders
- Centrifuges
- Cranes and Hoists
- Rollout Tables
- Presses
- Saws



### CFW11M Catalog Number Sequence



*Table intended as reference only and not to create part numbers.*

## CFW11M

### Modular Drive in NEMA 12 Enclosure

Motor Voltage	Motor HP <sup>2</sup>	Drive Amps <sup>3</sup>	Motor HP <sup>2</sup>	Drive Amps <sup>3</sup>	Catalog Number	Rectifier <sup>4</sup> Type (Pulses)	Dimensions (in.) <sup>5</sup> HxWxD	List Price	Multiplier	
	ND / VT <sup>1</sup>		HD / CT <sup>1</sup>							
380-480 Vac	<b>Input Power Supply: Three-Phase 380-480 Vac</b>									
	500	600	450	515	<a href="#">CFW11M0600T4Z</a>	6 or 12	104 x 72 x 32	Contact WEG for Pricing		
	600	760	500	600	<a href="#">CFW11M0760T4Z</a>	6 or 12	104 x 72 x 32			
	700	865	600	700	<a href="#">CFW11M0865T4Z</a>	6 or 12	104 x 72 x 32			
	800	985	700	800	<a href="#">CFW11M0985T4Z</a>	6 or 12	104 x 72 x 32			
	1000	1140	800	979	<a href="#">CFW11M1140T4Z</a>	6 or 12	104 x 72 x 32			
	1500	1710	1200	1468	<a href="#">CFW11M1710T4Z</a>	6 or 12	104 x 96 x 34			
	2000	2280	1600	1957	<a href="#">CFW11M2280T4Z</a>	6 or 12	104 x 112 x 34			
2500	2850	2000	2446	<a href="#">CFW11M2850T4Z</a>	6 or 12	104 x 128 x 34				
500-600 Vac	<b>Input Power Supply: Three-Phase 500-600 Vac</b>									
	500	470	400	380	<a href="#">CFW11M0470T5Z</a>	6 or 12	104 x 72 x 34	Contact WEG for Pricing		
	1000	893	800	722	<a href="#">CFW11M0893T5Z</a>	6 or 12	104 x 72 x 34			
	1500	1340	1250	1083	<a href="#">CFW11M1340T5Z</a>	6 or 12	104 x 96 x 34			
	2000	1786	1600	1444	<a href="#">CFW11M1786T5Z</a>	6 or 12	104 x 112 x 34			
2500	2232	2000	1805	<a href="#">CFW11M2232T5Z</a>	6 or 12	104 x 128 x 34				
660-690 Vac	<b>Input Power Supply: Three-Phase 660-690 Vac</b>									
	500	427	400	340	<a href="#">CFW11M0427T6Z</a>	6 or 12	104 x 72 x 34	Contact WEG for Pricing		
	1000	811	800	646	<a href="#">CFW11M0811T6Z</a>	6 or 12	104 x 72 x 34			
	1500	1217	1250	969	<a href="#">CFW11M1217T6Z</a>	6 or 12	104 x 96 x 34			
	2000	1622	1600	1292	<a href="#">CFW11M1622T6Z</a>	6 or 12	104 x 112 x 34			
2500	2028	2000	1615	<a href="#">CFW11M2026T6Z</a>	6 or 12	104 x 128 x 34				

**NOTES:**

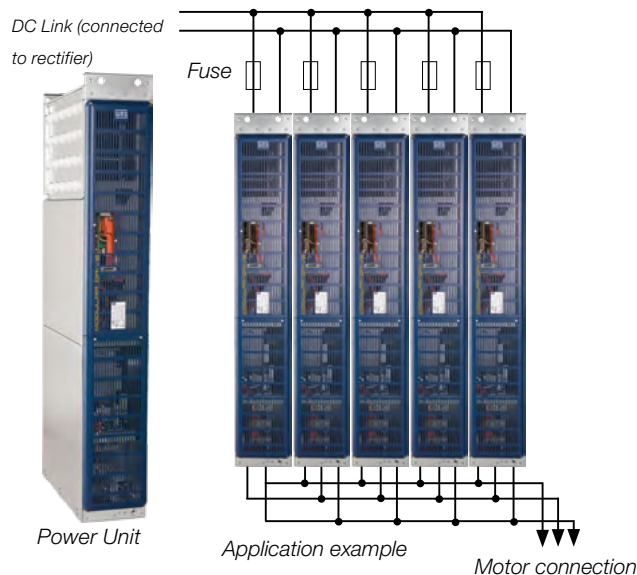
- 1) CT = Constant Torque, 150% overload / 60 sec.; VT = Variable Torque (Quadratic Load), 110% overload / 60 sec.
- 2) "HP" rating based on "average FLA values". Use as a guide only. Motor FLA may vary with speed and manufacturer.
- 3) ALWAYS compare motor FLA to Nominal AMPS of drive.
- 4) 6-Pulse configuration is Standard; 12-Pulse configuration is Optional
- 5) Dimensions and weights are for estimating purposes only. Only use "AS BUILT" drawings for construction. For other technical data please refer to WEG product manual.

Consult factory for individual module pricing.

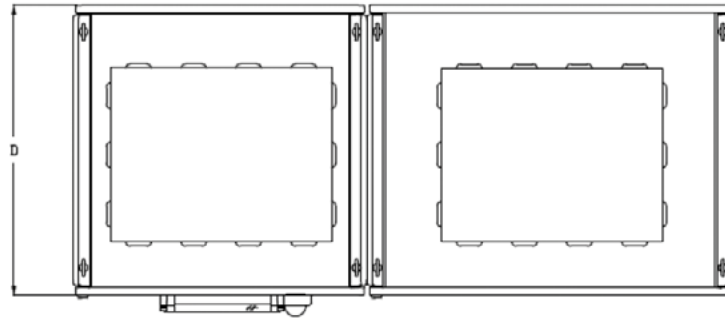
### Power Unit

Compact modular drive that can be configured to the applicable motor power ratings.

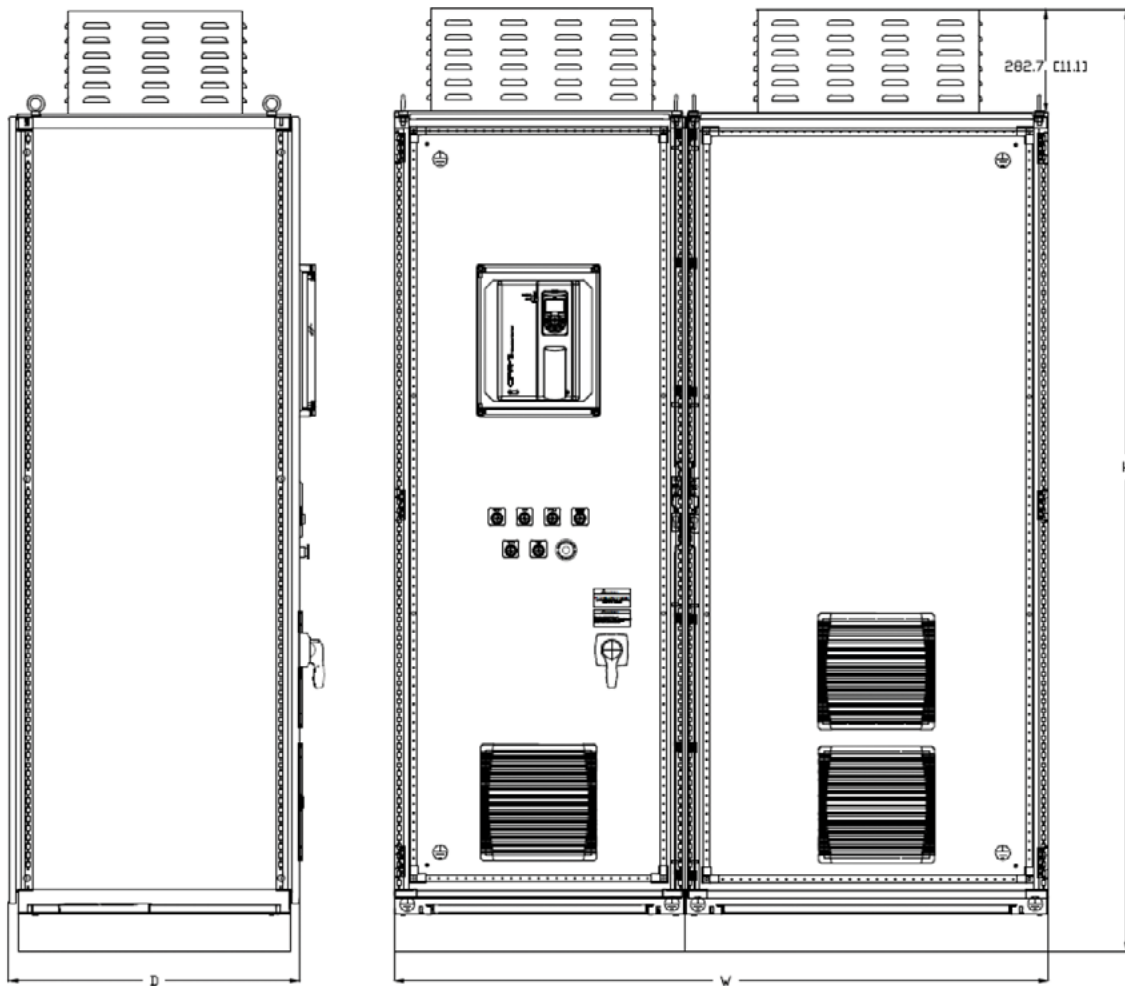
- Easy servicing
- Configurable up to 5 power units
- DC supplied by an input rectifier
- Compact book format (width much smaller than the depth)
- Rack mounted



### Dimensions



TOP VIEW



LEFT SIDE VIEW

FRONT VIEW

### Freestanding Enclosure

- INDEX
- WARRANTY INFO
- CFW100
- CFW300
- CFW320
- CFW500 GZ
- CFW11
- CFW900
- CFW11M
- CFW501
- PUMP GENIUS
- REACTORS
- SSW05
- SSW07
- SSW900
- SSW7000
- EDP11
- GPH2
- APS9
- MFM

CFW501

## WEG HVAC-R Products

### Drive Features

- RFI filter built-in for all frame sizes
- BACnet, Metasys N2 and Modbus-RTU embedded using the RS-485 port
- Thermal Management for drive fan control
- Soft PLC Function
- Process feedback in engineering units
- Direct/Reverse PID Control Selection
- Control Set point

### Performance Features

- Overload capacity: nominal 110% for 60sec. (150% peak)
- Adjustable accel/decel: 0.0 to 900.0 Sec.
- Controlled speed range: 1:20
- Critical frequency avoidance: 3 selectable, adjustable bands
- Torque-limiting: 30-180%
- Torque boost: full range, automatic
- Fault Auto-Reset with programmable time interval
- Feedback signal loss detection
- Serial communications loss detection
- “Up/Down” floating point control capability (PI)
- Sleep function
- Run-permissive input

### Drive and Motor Protection Features

- Current-limited stall prevention
- Heat sink over-temperature, speed fold-back
- Bi-directional start into rotating motor
- Optically-isolated controls
- Output short circuit protection: Phase-phase and phase-neutral
- Output Ground Fault Protection
- Electronic motor overload: UL
- Fault display: last 10 faults

### Control Features

**Power Saving Flux Optimization** – (Energy Saving Algorithm) Stator flux is controlled so that motor losses are reduced increasing motor efficiency

**Fire Mode** – Forces the drive to override its internal faults and protections, allowing the drive and motor to run during extreme conditions

**Dry Pump** – Monitors motor torque and prevents the pump from running with no load

**Sleep / Wake-Up Mode** – Prevents prolonged motor operation at low speeds for a programmable amount of time. Wake-up mode determines when the drive and motor resume normal operation

**Bypass function** – Allows the VFD to be by-passed and the motor to be run across the line

**Short Cycling Protection** – Prevents repetitive motor restarting after short periods of time

**Broken Belt Protection** – Monitors motor torque preventing it from running with no load in case of a broken belt or coupling

**Filter Maintenance Alarm** – A warning for filter maintenance is displayed on the keypad based on an adjustable time interval (time is programmed in the drive)

**PTC function** – Using drive I/O, PTC thermal sensors can be monitored to prevent motor overheating

**Main PID Controller** – Internal PID loops available for drive control



## CFW501

The WEG CFW501 series of variable frequency drives for heating, ventilation, air conditioning and refrigeration was designed with the features and functions required for modern HVAC systems. The CFW501 is designed with the same reliability, robustness and energy-efficient control known in our industrial lines. WEG now brings this technology to office buildings, hospitals, airports, hotels, shopping centers or other similar facilities.



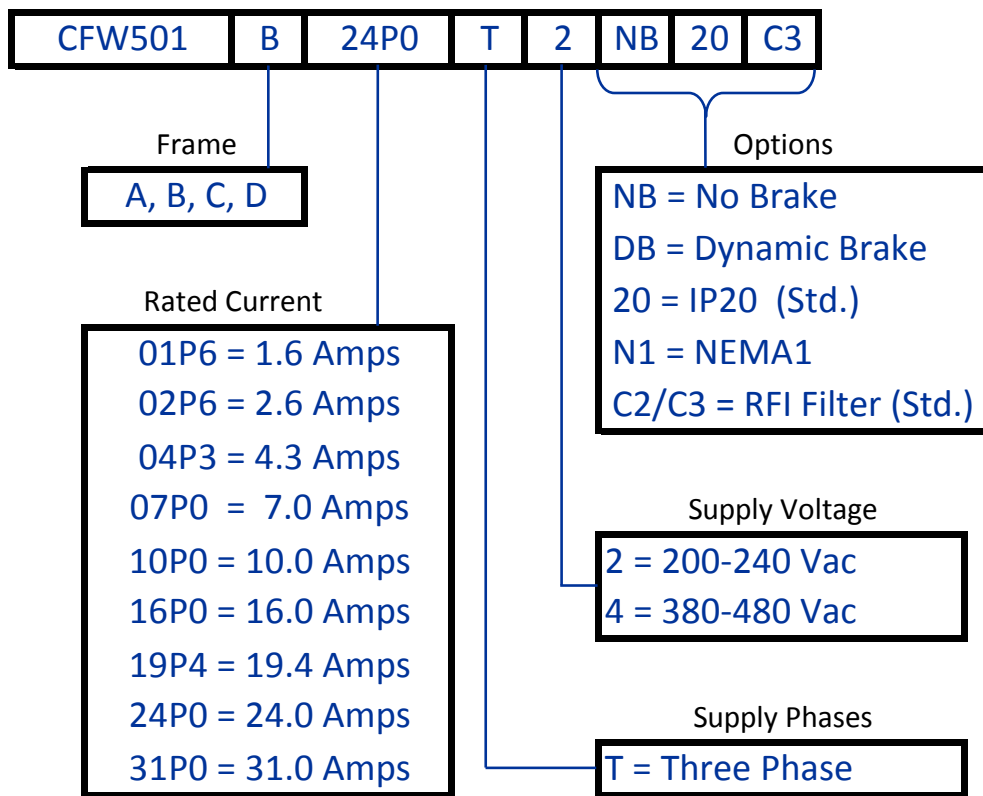
### CFW501 Features

- CFW501 Ratings: 1/3-7 1/2 HP @ 230 Vac; 1/2-25 HP @ 480 Vac
- Conformal Coated Circuit Boards – provides protection against dust, humidity, high temperature and chemicals
- Pelnum Rated with NEMA1 Kit – Meets UL94 Requirements
- IP20 enclosure with NEMA 1 conversion kits available
- Harmonics – Meets IEC 61000-3-12 requirements
  - No line reactor required
  - No restrictions for installation, no minimum line impedance required
- Communications – BACnet MS/TP | Metasys N2 | Modbus-RTU native to the drive
- Heat sink and internal temperature monitoring provides protection for critical components such as IGBTs and circuit boards
- Fan operation is controlled based on the temperature of power modules
- Reduces energy consumption when drive is not supplying power to the motor

### Applications

- Hospitals
- Airports
- Shopping Malls
- Sports Facilities
- Schools and Universities
- Hotels and Restaurants
- Condominium and Residential
- Municipal and Commercial Buildings
- Chillers and Compressors
- Cooling Towers
- Boiler Circulation Pumps
- Chill Water Circulation Pumps
- Exhaust Fans
- Clean Room Air Handling
- Tunnel Ventilation

### CFW501 Catalog Number Sequence



*Table intended as reference only and not to create part numbers.*



### CFW501

### IP20 Enclosure

Motor Voltage	ND / VT <sup>1</sup>		Catalog Number <sup>5</sup>	Braking Transistor	Frame Size	Dimensions (in.) HxWxD <sup>4</sup>	Approx. Weight (lbs.)	List Price	Multiplier	
	Motor HP <sup>2</sup>	Drive Amps <sup>3</sup>								
230 Vac	<b>Input Power Supply: Three-Phase 220-230 Vac without Dynamic Braking Transistor</b>									
	1/3	1.6	<a href="#">CFW501A01P6T2NB20C3</a>	No	A	7.5 x 3.0 x 5.9	1.8	<b>\$563</b>	V3	
	3/4	2.6	<a href="#">CFW501A02P6T2NB20C3</a>	No	A	7.5 x 3.0 x 5.9	1.8	<b>\$601</b>	V3	
	1 1/2	4.3	<a href="#">CFW501A04P3T2NB20C3</a>	No	A	7.5 x 3.0 x 5.9	1.8	<b>\$652</b>	V3	
	2	7.0	<a href="#">CFW501A07P0T2NB20C3</a>	No	A	7.5 x 3.0 x 5.9	1.8	<b>\$736</b>	V3	
	3	9.6	<a href="#">CFW501A09P6T2NB20C3</a>	No	A	7.5 x 3.0 x 5.9	1.8	<b>\$804</b>	V3	
	4	12.2	<a href="#">CFW501A12P2T2NB20C3<sup>6</sup></a>	No	A	7.5 x 3.0 x 5.9	1.8	<b>\$873</b>	V3	
	<b>Input Power Supply: Three-Phase 200-240 Vac with Dynamic Braking Transistor</b>									
	5	16.0	<a href="#">CFW501B16P0T2DB20C3</a>	Yes	B	7.9 x 4.0 x 6.3	2.7	<b>\$1,009</b>	V3	
	7 1/2	19.4	<a href="#">CFW501B19P4T2DB20C3<sup>6</sup></a>	Yes	B	7.9 x 4.0 x 6.3	2.7	<b>\$1,111</b>	V3	
	7 1/2	24.0	<a href="#">CFW501C24P0T2DB20C3</a>	Yes	C	8.3 x 5.3 x 6.5	4.4	<b>\$1,552</b>	V3	
	460 Vac	<b>Input Power Supply: Three-Phase 380-480 Vac without Dynamic Braking Transistor</b>								
1/2		1.0	<a href="#">CFW501A01P0T4NB20C3</a>	No	A	7.5 x 3.0 x 5.9	1.8	<b>\$745</b>	V3	
1		1.6	<a href="#">CFW501A01P6T4NB20C3</a>	No	A	7.5 x 3.0 x 5.9	1.8	<b>\$761</b>	V3	
1 1/2		2.6	<a href="#">CFW501A02P6T4NB20C3</a>	No	A	7.5 x 3.0 x 5.9	1.8	<b>\$799</b>	V3	
3		4.3	<a href="#">CFW501A04P3T4NB20C3</a>	No	A	7.5 x 3.0 x 5.9	1.8	<b>\$917</b>	V3	
5		6.1	<a href="#">CFW501A06P1T4NB20C3</a>	No	A	7.5 x 3.0 x 5.9	1.8	<b>\$1,051</b>	V3	
<b>Input Power Supply: Three-Phase 380-480 Vac with Dynamic Braking Transistor</b>										
1 1/2		2.6	<a href="#">CFW501B02P6T4DB20C3</a>	Yes	B	7.9 x 4.0 x 6.3	2.7	<b>\$835</b>	V3	
3		4.3	<a href="#">CFW501B04P3T4DB20C3</a>	Yes	B	7.9 x 4.0 x 6.3	2.7	<b>\$958</b>	V3	
5		6.5	<a href="#">CFW501B06P5T4DB20C3</a>	Yes	B	7.9 x 4.0 x 6.3	2.7	<b>\$1,092</b>	V3	
7 1/2		10.0	<a href="#">CFW501B10P0T4DB20C3</a>	Yes	B	7.9 x 4.0 x 6.3	2.7	<b>\$1,299</b>	V3	
10		14.0	<a href="#">CFW501C14P0T4DB20C2</a>	Yes	C	8.3 x 5.3 x 6.5	4.4	<b>\$1,609</b>	V3	
10		16.0	<a href="#">CFW501C16P0T4DB20C2</a>	Yes	C	8.3 x 5.3 x 6.5	4.4	<b>\$1,886</b>	V3	
15		24.0	<a href="#">CFW501D24P0T4DB20C3</a>	Yes	D	12.1 x 7.1 x 6.6	9.5	<b>\$2,321</b>	V3	
25		31.0	<a href="#">CFW501D31P0T4DB20C3</a>	Yes	D	12.1 x 7.1 x 6.6	9.5	<b>\$2,716</b>	V3	

**NOTES:**

- 1) VT = Variable Torque (Quadratic Load), 110% overload / 60 sec.
- 2) "HP" rating based on "average FLA values". Use as a guide only.
- 3) Motor FLA may vary with speed and manufacturer. ALWAYS compare motor FLA to Nominal AMPS of drive.
- 4) Dimensions are provided for estimating purposes only. For other technical data please refer to WEG product manual.
- 5) CFW500-CRS485 Card is included as standard with CFW501 Drives. It will provide 4 DIs, 1 DO, 2 ROs, 2 AIs, 1 AO and 2 RS-485 com. Port as a standard.
- 6) Not UL listed.

### CFW501 - Options and Accessories

Type	Catalog Number	Description	Approx. Shpg. Wt. (lbs.)	List Price	Multiplier Symbol
Flash Memory Module	<a href="#">CFW500-MMF</a>	CFW500/501 Flash Memory Module	0.2	<b>\$189</b>	V1G
Non-Text Remote Keypad	<a href="#">CFW501-HMIR<sup>1</sup></a>	Non-Text Remote Keypad with Mounting Frame kit	0.6	<b>\$150</b>	V3
HMI Cable 1M	<a href="#">CFW500-CCHMIR01M</a>	3.3 ft (1 meter) Remote Keypad Cable	0.5	<b>\$23</b>	V1G
HMI Cable 2M	<a href="#">CFW500-CCHMIR02M</a>	6.6 ft (2 meter) Remote Keypad Cable	0.7	<b>\$31</b>	V1G
HMI Cable 3M	<a href="#">CFW500-CCHMIR03M</a>	9.9 ft (3 meter) Remote Keypad Cable	1.0	<b>\$41</b>	V1G
HMI Cable 5M	<a href="#">CFW500-CCHMIR05M</a>	16 ft (5 meter) Remote Keypad Cable	1.2	<b>\$51</b>	V1G
HMI Cable 7.5M	<a href="#">CFW500-CCHMIR075M</a>	25 ft (7.5 meter) Remote Keypad Cable	1.5	<b>\$61</b>	V1G
HMI Cable 10M	<a href="#">CFW500-CCHMIR010M</a>	33 ft (10 meter) Remote Keypad Cable	2.0	<b>\$72</b>	V1G
NEMA1 Conduit Kit	<a href="#">CFW501-KN1A</a>	NEMA1 kit – Frame Size A	0.7	<b>\$25</b>	V3
NEMA1 Conduit Kit	<a href="#">CFW501-KN1B</a>	NEMA1 kit – Frame Size B	1.0	<b>\$30</b>	V3
NEMA1 Conduit Kit	<a href="#">CFW501-KN1C</a>	NEMA1 kit – Frame Size C	1.0	<b>\$39</b>	V3
NEMA1 Conduit Kit	<a href="#">CFW501-KN1D</a>	NEMA1 kit – Frame Size D	1.0	<b>\$52</b>	V3

**NOTES:**

- 1) CFW501-HMIR (non-text Remote Keypad) will require Qty. (1) CFW500-CCHIROxM cable. ("x" represents the cable length in meters).

## CFW501

### Technical Data

<b>Power Supply</b>	Voltage	Single Phase or Three Phase	200-240 Vac (+10%, -15%)
		Three phase	380-480 Vac (+10%, -15%)
	Frequency	50 / 60Hz +/- 2Hz	
<b>Enclosure</b>	Degree of Protection	IP 20	
	Mounting	Surface mounting with screws or DIN rail mounting	
<b>Control</b>	Control Modes	Volts per Hertz (Scalar)	
		Sensorless Voltage Vector	
	Power Output	Sinusoidal PWM (Space Vector Modulation)	
		IGBT Transistors	
	Switching Frequency	2.5, 5, 10 or 15kHz	
	Frequency Range	0-300 Hz	
Overload Capacity	110% for 60 seconds, repeatable every 10 min.		
<b>Control Inputs</b>	4 programmable isolated digital inputs, NPN or 24Vdc logic (PNP)		
	2 programmable differential analog inputs; programmable for current or voltage Can be set as DI or as PTC input (0-10V, 4-20 mA or 0-20 mA)		
<b>Control Outputs</b>	2 Programmable relay Outputs: Form C (240V / 0.5A). 1 Programmable Transistor Output (Max. 150 mA @ 24VDC). 1 Programmable differential analog Output; Programmable for current or voltage.		
<b>Communication</b>	Serial	2 x RS-485 Ports (Modbus RTU, BACnet & Metasys N2 as a standard)	
<b>Safety</b>	Protections	Motor over current	DC link over voltage
		Motor overload	DC link under voltage
		Output phase-to-phase short circuit	Drive over temperature
		Output phase-to-ground short circuit	External fault
		Programming error	
<b>Ambient</b>	Temperature	32 - 122°F (50°C), up to 140°F (60°C) with 2% / 1.8°F (1°C) output current derating	
	Humidity	5-95% Non Condensing	
	Altitude	0-3300 ft (1000m), up to 13,200 ft (4000m) with 1% / 330ft (100m) output current derating	
<b>Regulatory Conformance</b>	EMC Directive 89 / 336 / EEC	Electromagnetic compatibility – Industrial Environment EMC Emission and Immunity with optional filter	
	ENC61800-3		
	LVD 73/23/EEC	Low Voltage Directive	
	UL 508 C	Power Conversion Equipment	
<b>Special Functions</b>	Linear and “S” ramp accel and decel, local/remote control, FWD/REV selection, DC braking, manual and auto torque boost, motor slip compensation, electronic pot, two skip frequencies, maximum and minimum adjustable frequency limits, adjustable output current		
<b>Keypad</b>	4 digit display, 2 indicator LEDs and 8 keys		
	Readouts for: output frequency (Hz), output current (A), output voltage (V), motor torque (%) in vector mode, DC bus voltage (V), value proportional to frequency (Ex.: RPM), heatsink temperature, fault and status messages		





## PUMP GENIUS™

The WEG Pump Genius™ variable frequency drive software is designed to reduce system operation and maintenance costs while increasing pump process accuracy and protection. Pump Genius™ offers simplex or multiplex pump control while providing monitoring and protection for the pump system.

Pump Genius™ can be applied to any pump system that requires constant flow or pressure control.



- Reduce System Component Cost
- Improve System Reliability
- Reduce Maintenance Costs
- Eliminate Costly Control Panels
- Reduce System Energy Requirements
- Reduce Overall Installation Costs



PC Software – Download from [www.weg.net](http://www.weg.net)

## Performance Features

- 2-75 HP @ 230 Vac and 2-600 HP @ 480 Vac
- Overload capacity
- ND – 110% for 60 sec.
- HD – 150% for 60 sec.
- Adjustable accel/decel: 0.0 to 900.0 Sec.
- Controlled speed range: 1:20
- Critical frequency rejection: 3 selectable, adjustable bands
- Torque-limiting: 30-180%
- Torque boost: full range, automatic
- Power loss ride-thru: 2 sec
- Fault Auto-Reset with programmable time interval
- Feedback signal loss detection
- Serial communications loss detection
- "Up / Down" floating point control capability (PI)
- Pump Sleep function
- Run-permissive input

## Pump Control Features

- Simplex or Multiplex Control
- Operator Keypad with intuitive pump language
- Local/Remote Control
- Jockey Pump Control
- Process feedback in engineering units
- Direct/Reverse PID Control Selection
- Control Set point by VFD Keypad, Analog Input, a combination of Digital Inputs, Communication command or based on weekly schedule
- Sleep Boost Mode
- Sleep Mode and Wake-Up Mode
- Pipe Charging
- Deragging function
- No Flow Detection
- Forced Rotation

## Drive and Motor Protective Features

- Current-limited stall prevention
- Heat sink over-temperature, speed fold-back
- Bi-directional start into rotating motor
- Optically-isolated controls
- Short circuit protection: Phase-phase and phase-neutral
- Ground fault protection
- Short circuit withstand rating: 100KA RMS with Fuses
- Electronic motor overload: UL
- Current limit
- Fault display: last 10 faults
- Over torque and under torque protection

## Pump Protective Features

- Dry Pump
- Air in System
- Blocked Impeller
- Pump over Cycling
- No Flow Protection
- Loss of Prime
- Transducer Loss
- Over Torque
- Anti-Cavitation



## Pump Genius

### Operation

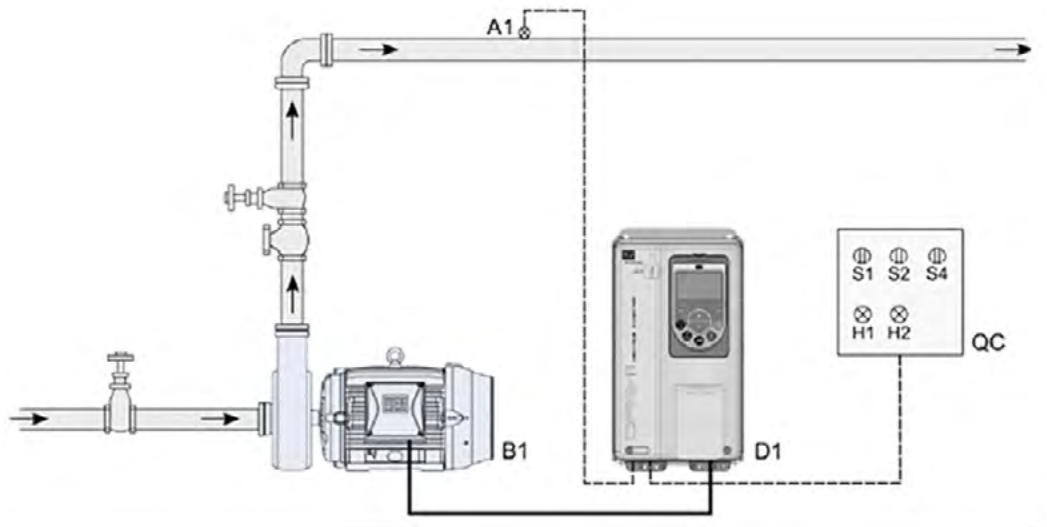
Pump Genius™ works with the WEG CFW11 drive to control pump system processes. Monitoring system pressure or flow, it adjusts pump speed to meet pumping requirements.

### Pump Genius™ – Simplex (Single Pump Control)

#### Pump Genius™ – Simplex Operation

The Pump Genius™ – Simplex software monitors the system pressure or flow from a feedback device and maintains it at the control set point.

- Motor faults are monitored and alarmed
- Drive faults are monitored and alarmed
- Feedback Signal Lost / Broken Wire detected and alarmed
- Provides control for a single (1) pump operation



Pump Genius™ – Simplex Configuration



### Single Drive Pump System

Motor Voltage	ND / VT <sup>1</sup>		HD / CT <sup>1</sup>		Catalog Number	Braking Transistor	Frame Size	Dimensions (in.) HxWxD	Approx. Weight (lbs.)	List Price	Multiplier	
	Motor HP <sup>2</sup>	Drive Amps <sup>3</sup>	Motor HP <sup>2</sup>	Drive Amps <sup>3</sup>								
230 Vac	<b>Input Power Supply: Single or Three-Phase 200-240 Vac with Dynamic Braking Transistor</b>											
	1 1/2	6.0	1 1/2	5.0	CFW110006B20N1Z-PGS	Yes	A	12.1 x 5.8 x 9.0	13.9	\$1,779	V4	
	2	7.0	2	7.0	CFW110007B20N1Z-PGS	Yes	A	12.1 x 5.8 x 9.0	13.9	\$1,851	V4	
	<b>Input Power Supply: Single-Phase 200-240 Vac with Dynamic Braking Transistor</b>											
	3	10	3	10	CFW110010S20N1Z-PGS	Yes	A	12.1 x 5.8 x 9.0	13.9	\$1,947	V4	
	<b>Input Power Supply: Three-Phase 200-240 Vac with Dynamic Braking Transistor</b>											
	2	7.0	1 1/2	5.5	CFW110007T20N1Z-PGS	Yes	A	12.1 x 5.8 x 9.0	13.9	\$1,755	V4	
	3	10	2	8.0	CFW110010T20N1Z-PGS	Yes	A	12.1 x 5.8 x 9.0	13.9	\$1,827	V4	
	5	13	3	11	CFW110013T20N1Z-PGS	Yes	A	12.1 x 5.8 x 9.0	13.9	\$1,863	V4	
	5	16	5	13	CFW110016T20N1Z-PGS	Yes	A	12.1 x 5.8 x 9.0	13.9	\$1,985	V4	
	7 1/2	24	7 1/2	20	CFW110024T20N1Z-PGS	Yes	B	13.9 x 7.5 x 9.0	23	\$2,559	V4	
	10	28	10	24	CFW110028T20N1Z-PGS	Yes	B	13.9 x 7.5 x 9.0	23	\$2,776	V4	
	10	34	10	28	CFW110033T20N1Z-PGS	Yes	B	13.9 x 7.5 x 9.0	23	\$3,325	V4	
	15	45	15	36	CFW110045T20N1Z-PGS	Yes	C	17.7 x 8.7 x 11.5	46	\$3,776	V4	
	20	54	20	45	CFW110054T20N1Z-PGS	Yes	C	17.7 x 8.7 x 11.5	46	\$4,535	V4	
	25	70	20	56	CFW110070T20N1Z-PGS	Yes	C	17.7 x 8.7 x 11.5	46	\$6,735	V4	
	30	86	25	70	CFW110086T20N1Z-PGS	Yes	D	19.9 x 11.9 x 12.0	72	\$7,357	V4	
	40	105	30	86	CFW110105T20N1Z-PGS	Yes	D	19.9 x 11.9 x 12.0	72	\$9,135	V4	
	<b>Input Power Supply: Three-Phase 200-240 Vac without Dynamic Braking Transistor</b>											
	50	142	40	115	CFW110142T20N1Z-PGS	No	E <sup>4</sup>	26.6 x 13.2 x 14.1	144	\$11,784	V4	
60	180	50	142	CFW110180T20N1Z-PGS	No	E <sup>4</sup>	26.6 x 13.2 x 14.1	144	\$15,260	V4		
75	211	60	180	CFW110211T20N1Z-PGS	No	E <sup>4</sup>	26.6 x 13.2 x 14.1	144	\$21,695	V4		

continued on next page

## Pump Genius

### Single Drive Pump System – continued

Input Power Supply: Three-Phase 380-480 Vac with Dynamic Braking Transistor												
460 Vac	2	3.6	2	3.6	CFW110003T40N1Z-PGS	Yes	A	12.1 x 5.8 x 9.0	13.9	\$1,751	V4	
	3	5.0	3	5.0	CFW110005T40N1Z-PGS	Yes	A	12.1 x 5.8 x 9.0	13.9	\$1,785	V4	
	5	7.0	3	5.5	CFW110007T40N1Z-PGS	Yes	A	12.1 x 5.8 x 9.0	13.9	\$1,847	V4	
	7 1/2	10	5	10	CFW110010T40N1Z-PGS	Yes	A	12.1 x 5.8 x 9.0	13.9	\$2,104	V4	
	10	13.5	7 1/2	11	CFW110013T40N1Z-PGS	Yes	A	12.1 x 5.8 x 9.0	13.9	\$2,203	V4	
	10	17	10	13.5	CFW110017T40N1Z-PGS	Yes	B	13.9 x 7.5 x 9.0	23	\$2,665	V4	
	15	24	10	19	CFW110024T40N1Z-PGS	Yes	B	13.9 x 7.5 x 9.0	23	\$3,127	V4	
	20	31	15	25	CFW110031T40N1Z-PGS	Yes	B	13.9 x 7.5 x 9.0	23	\$4,008	V4	
	25	38	20	33	CFW110038T40N1Z-PGS	Yes	C	17.7 x 8.7 x 11.5	46	\$4,435	V4	
	30	45	25	38	CFW110045T40N1Z-PGS	Yes	C	17.7 x 8.7 x 11.5	46	\$5,535	V4	
	40	58.5	30	47	CFW110058T40N1Z-PGS	Yes	C	17.7 x 8.7 x 11.5	46	\$6,768	V4	
	50/60	70.5	40	61	CFW110070T40N1Z-PGS	Yes	D	19.9 x 11.9 x 12.0	72	\$7,635	V4	
	60/75	88	50	73	CFW110088T40N1Z-PGS	Yes	D	19.9 x 11.9 x 12.0	72	\$9,035	V4	
	Input Power Supply: Three-Phase 380-480 Vac without Dynamic Braking Transistor											
		75	105	75	88	CFW110105T40N1Z-PGS	No	E <sup>4</sup>	26.6 x 13.2 x 14.1	144	\$10,785	V4
	100/125	142	75	115	CFW110142T40N1Z-PGS	No	E <sup>4</sup>	26.6 x 13.2 x 14.1	144	\$12,635	V4	
	150	180	100/125	142	CFW110180T40N1Z-PGS	No	E <sup>4</sup>	26.6 x 13.2 x 14.1	144	\$17,635	V4	
	175	211	150	180	CFW110211T40N1Z-PGS	No	E <sup>4</sup>	26.6 x 13.2 x 14.1	144	\$21,135	V4	
	200	242	150	211	CFW110242T4SZ-PGS	No	F <sup>4,5</sup>	48.6 x 16.9 x 14.2	309	\$23,135	V4	
	250	312	200	242	CFW110312T4SZ-PGS	No	F <sup>4,5</sup>	48.6 x 16.9 x 14.2	309	\$29,501	V4	
	300	370	250	312	CFW110370T4SZ-PGS	No	F <sup>4,5</sup>	48.6 x 16.9 x 14.2	309	\$31,449	V4	
	400	477	300	370	CFW110477T4SZ-PGS	No	F <sup>4,5</sup>	48.6 x 16.9 x 14.2	309	\$41,162	V4	
	450	515	400	477	CFW110515T4SZ-PGS	No	G <sup>4,5</sup>	50 x 21.1 x 16.8	474	\$44,105	V4	
	500	601	450	515	CFW110601T4SZ-PGS	No	G <sup>4,5</sup>	50 x 21.1 x 16.8	474	\$50,223	V4	
	600	720	500	560	CFW110720T4SZ-PGS	No	G <sup>4,5</sup>	50 x 21.1 x 16.8	474	\$59,465	V4	

**NOTES:**

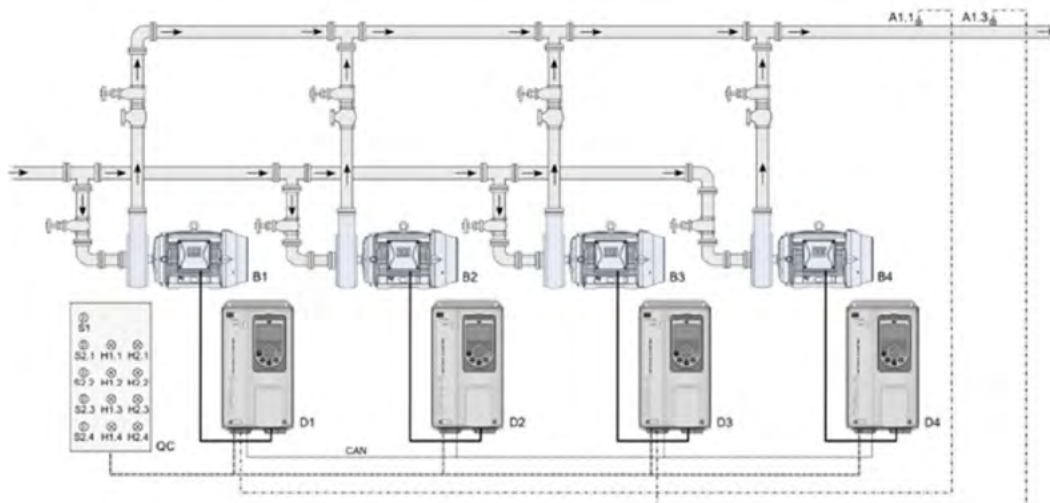
- 1) CT = Constant Torque, 150% overload / 60 sec.; VT = Variable Torque (Quadratic Load), 110% overload / 60 sec.
  - 2) "HP" rating based on "average FLA values". Use as a guide only.
  - 3) Motor FLA may vary with speed and manufacturer. ALWAYS compare motor FLA to Nominal AMPS of drive.
  - 4) Maximum 45°C ambient temperature without derating
  - 5) IP20 enclosure protection level
- For other technical data please refer to WEG product manual.

### Pump Genius™ – Multiplex (Multiple Pump System Control)

#### Pump Genius™ – Multiplex Operation

The Pump Genius™ – Multiplex software monitors the system pressure or flow from a feedback device and maintains it at the control set point. The pumps are cycled on and off based on the accumulated run times to ensure even wear, increasing equipment reliability while extending the life span of the system. How it works:

- A minimum of one (1) VFD in the system is programmed as “Master/Slave”. This “Master/Slave” VFD has the capability to control the entire multiplex pump system (up to five (5) VFDs). Each “Master/Slave” VFD needs an analog feedback from the process (pressure or flow) connected to its respective analog input.
- Any VFDs in the system that are not programmed for “Master/Slave” operation will be set up in “Slave” mode and will follow commands from the lead “Master/Slave” VFD. A VFD set up as “Slave” is not capable of controlling the Pump Genius™ system.
- To establish a redundant pump configuration, at least two (2) VFDs need to be programmed as “Master/Slave”. The lead “Master/Slave” VFD will control the entire system and the following operating sequence will be followed:
  - The Pump and Motor with the least run time will be the first to start.
  - The Pump and Motor with the highest run time will be the first to stop.
  - A fault condition in the lead VFD such as ‘Communication Loss’, ‘Feedback Signal Lost / Broken Wire’, or a ‘Drive Fault’ will cause the pump system to transfer control to another “Master/Slave” VFD and the pump system will restart.
- VFDs ordered using the “Pump Genius™ – Multiplex” (CFW11xxxxxxZ-PGM) part number are provided with an RS-485 communication module and the ‘Multiplex’ version of Pump Genius™ software installed in the VFD.



Pump Genius™ – Multiplex Configuration

# Variable Frequency Drives



## Pump Genius

Multi Drive Pump System (includes RS-485 communication card installed)

Motor Voltage	ND / VT <sup>1</sup>		HD / CT <sup>1</sup>		Catalog Number	Braking Transistor	Frame Size	Dimensions (in.) HxWxD	Approx. Weight (lbs.)	List Price	Multiplier	
	Motor HP <sup>2</sup>	Drive Amps <sup>3</sup>	Motor HP <sup>2</sup>	Drive Amps <sup>3</sup>								
230 Vac	<b>Input Power Supply: Single or Three-Phase 200-240 Vac with Dynamic Braking Transistor</b>											
	1 1/2	6.0	1 1/2	5.0	CFW110006B20N1Z-PGM	Yes	A	12.1 x 5.8 x 9.0	13.9	\$2,019	V4	
	2	7.0	2	7.0	CFW110007B20N1Z-PGM	Yes	A	12.1 x 5.8 x 9.0	13.9	\$2,091	V4	
	<b>Input Power Supply: Single-Phase 200-240 Vac with Dynamic Braking Transistor</b>											
	3	10	3	10	CFW110010S20N1Z-PGM	Yes	A	12.1 x 5.8 x 9.0	13.9	\$2,187	V4	
	<b>Input Power Supply: Three-Phase 200-240 Vac with Dynamic Braking Transistor</b>											
	2	7.0	1 1/2	5.5	CFW110007T20N1Z-PGM	Yes	A	12.1 x 5.8 x 9.0	13.9	\$1,995	V4	
	3	10	2	8.0	CFW110010T20N1Z-PGM	Yes	A	12.1 x 5.8 x 9.0	13.9	\$2,067	V4	
	5	13	3	11	CFW110013T20N1Z-PGM	Yes	A	12.1 x 5.8 x 9.0	13.9	\$2,103	V4	
	5	16	5	13	CFW110016T20N1Z-PGM	Yes	A	12.1 x 5.8 x 9.0	13.9	\$2,225	V4	
	7 1/2	24	7 1/2	20	CFW110024T20N1Z-PGM	Yes	B	13.9 x 7.5 x 9.0	23	\$2,799	V4	
	10	28	10	24	CFW110028T20N1Z-PGM	Yes	B	13.9 x 7.5 x 9.0	23	\$3,016	V4	
	10	34	10	28	CFW110033T20N1Z-PGM	Yes	B	13.9 x 7.5 x 9.0	23	\$3,565	V4	
	15	45	15	36	CFW110045T20N1Z-PGM	Yes	C	17.7 x 8.7 x 11.5	46	\$4,016	V4	
	20	54	20	45	CFW110054T20N1Z-PGM	Yes	C	17.7 x 8.7 x 11.5	46	\$4,775	V4	
	25	70	20	56	CFW110070T20N1Z-PGM	Yes	C	17.7 x 8.7 x 11.5	46	\$6,975	V4	
	30	86	25	70	CFW110086T20N1Z-PGM	Yes	D	19.9 x 11.9 x 12.0	72	\$7,597	V4	
	40	105	30	86	CFW110105T20N1Z-PGM	Yes	D	19.9 x 11.9 x 12.0	72	\$9,375	V4	
	<b>Input Power Supply: Three-Phase 200-240 Vac without Dynamic Braking Transistor</b>											
	50	142	40	115	CFW110142T20N1Z-PGM	No	E <sup>4</sup>	26.6 x 13.2 x 14.1	144	\$12,024	V4	
60	180	50	142	CFW110180T20N1Z-PGM	No	E <sup>4</sup>	26.6 x 13.2 x 14.1	144	\$15,500	V4		
75	211	60	180	CFW110211T20N1Z-PGM	No	E <sup>4</sup>	26.6 x 13.2 x 14.1	144	\$21,935	V4		

continued on next page





### Multi Drive Pump System (includes RS-485 communication card installed) – continued

Motor Voltage	ND / VT <sup>1</sup>		HD / CT <sup>1</sup>		Catalog Number	Braking Transistor	Frame Size	Dimensions (in.) HxWxD	Approx. Weight (lbs.)	List Price	Multiplier	
	Motor HP <sup>2</sup>	Drive Amps <sup>3</sup>	Motor HP <sup>2</sup>	Drive Amps <sup>3</sup>								
460 Vac	<b>Input Power Supply: Three-Phase 380-480 Vac with Dynamic Braking Transistor</b>											
	2	3.6	2	3.6	CFW110003T40N1Z-PGM	Yes	A	12.1 x 5.8 x 9.0	13.9	\$1,991	V4	
	3	5.0	3	5.0	CFW110005T40N1Z-PGM	Yes	A	12.1 x 5.8 x 9.0	13.9	\$2,025	V4	
	5	7.0	3	5.5	CFW110007T40N1Z-PGM	Yes	A	12.1 x 5.8 x 9.0	13.9	\$2,087	V4	
	7 1/2	10	5	10	CFW110010T40N1Z-PGM	Yes	A	12.1 x 5.8 x 9.0	13.9	\$2,344	V4	
	10	13.5	7 1/2	11	CFW110013T40N1Z-PGM	Yes	A	12.1 x 5.8 x 9.0	13.9	\$2,443	V4	
	10	17	10	13.5	CFW110017T40N1Z-PGM	Yes	B	13.9 x 7.5 x 9.0	23	\$2,905	V4	
	15	24	10	19	CFW110024T40N1Z-PGM	Yes	B	13.9 x 7.5 x 9.0	23	\$3,367	V4	
	20	31	15	25	CFW110031T40N1Z-PGM	Yes	B	13.9 x 7.5 x 9.0	23	\$4,248	V4	
	25	38	20	33	CFW110038T40N1Z-PGM	Yes	C	17.7 x 8.7 x 11.5	46	\$4,675	V4	
	30	45	25	38	CFW110045T40N1Z-PGM	Yes	C	17.7 x 8.7 x 11.5	46	\$5,775	V4	
	40	58.5	30	47	CFW110058T40N1Z-PGM	Yes	C	17.7 x 8.7 x 11.5	46	\$7,008	V4	
	50/60	70.5	40	61	CFW110070T40N1Z-PGM	Yes	D	19.9 x 11.9 x 12.0	72	\$7,875	V4	
	60/75	88	50	73	CFW110088T40N1Z-PGM	Yes	D	19.9 x 11.9 x 12.0	72	\$9,275	V4	
	<b>Input Power Supply: Three-Phase 380-480 Vac without Dynamic Braking Transistor</b>											
	75	105	75	88	CFW110105T40N1Z-PGM	No	E <sup>4</sup>	26.6 x 13.2 x 14.1	144	\$11,025	V4	
	100/125	142	75	115	CFW110142T40N1Z-PGM	No	E <sup>4</sup>	26.6 x 13.2 x 14.1	144	\$12,875	V4	
	150	180	100/125	142	CFW110180T40N1Z-PGM	No	E <sup>4</sup>	26.6 x 13.2 x 14.1	144	\$17,875	V4	
	175	211	150	180	CFW110211T40N1Z-PGM	No	E <sup>4</sup>	26.6 x 13.2 x 14.1	144	\$21,375	V4	
	200	242	150	211	CFW110242T4SZ-PGM	No	F <sup>4,5</sup>	48.6 x 16.9 x 14.2	309	\$23,375	V4	
250	312	200	242	CFW110312T4SZ-PGM	No	F <sup>4,5</sup>	48.6 x 16.9 x 14.2	309	\$29,741	V4		
300	370	250	312	CFW110370T4SZ-PGM	No	F <sup>4,5</sup>	48.6 x 16.9 x 14.2	309	\$31,689	V4		
400	477	300	370	CFW110477T4SZ-PGM	No	F <sup>4,5</sup>	48.6 x 16.9 x 14.2	309	\$41,402	V4		
450	515	400	477	CFW110515T4SZ-PGM	No	G <sup>4,5</sup>	50 x 21.1 x 16.8	474	\$44,345	V4		
500	601	450	515	CFW110601T4SZ-PGM	No	G <sup>4,5</sup>	50 x 21.1 x 16.8	474	\$50,463	V4		
600	720	500	560	CFW110720T4SZ-PGM	No	G <sup>4,5</sup>	50 x 21.1 x 16.8	474	\$59,705	V4		

**NOTES:**

- 1) CT = Constant Torque, 150% overload / 60 sec.; VT = Variable Torque (Quadratic Load), 110% overload / 60 sec.
  - 2) "HP" rating based on "average FLA values". Use as a guide only.
  - 3) Motor FLA may vary with speed and manufacturer. ALWAYS compare motor FLA to Nominal AMPS of drive.
  - 4) Maximum 45°C ambient temperature without derating
  - 5) IP20 enclosure protection level
- For other technical data please refer to WEG product manual.



## Pump Genius

### PUMP GENIUS™ HMI – VIEW ONLY (FOR CFW11-PGM DRIVES)

The Pump Genius™ HMI – “View only” will allow a more detailed overview of the CFW11 Pump Genius – Multiplex System. It can be added to existing CFW11-PGM (Multiplex) systems or used for new CFW11-PGM (Multiplex) systems. The Pump Genius HMI – “View only” for CFW11-PGM will have the following features:

- Image / text-based screen representations of CFW11 Pump Genius – multiplex system operations and variables.
- Individual Pump / VFD status screen with digital I/O and analog Input status.
- Ability to change Control setpoint, PID Parameters, Pump/VFD device name and communication setup. Password protected to allow only authorized users to make changes.
- Ability to reset the CFW11-PGM VFD faults.
- Individual CFW11-PGM drive time stamped Alarm & Fault history screens.
- Trend screens for PID parameters and individual Motor parameters (Motor Torque, current, speed)
- Pump Genius HMI – View Only will offer one RJ45 com. port for the customer’s supervisory system to communicate with HMI using BACnet/IP or Modbus TCP.
- Step-by-step I&O manual on how to add/use this HMI to the existing CFW11-PGM (Multiplex) System and he new CFW11-PGM (Multiplex) systems.




### PUMP GENIUS™ HMI – VIEW ONLY (FOR CFW11-PGM DRIVES)

Catalog Number (Material Number)	Description	List Price	Multiplier
<b>PGM-HMI-VO (16997135)</b>	Pump Genius HMI – View Only for CFW11-PGM drives, 7", NEMA4X (for indoor use)  <b>NOTES:</b> 1. Each CFW11-PGM drives in the system will need Qty-1, "CAN/RS485-01" com. module. 2. The HMI requires 24 Vdc Power.	<b>\$2,115</b>	V4
<b>PGM-HMI-VO-ENCL (17087092)</b>	Enclosed Panel for Pump Genius HMI – View Only for CFW11-PGM drives (for indoor use only) with the following items: - 12”h x 12”w x 6”d, NMEA4, wall mount enclosure. - Miniature Circuit Breaker. - 24VDC Power supply. - Enclosure door mounted 7” PG View Only HMI. - A set of panel drawings.  <b>NOTES:</b> 1. Each CFW11-PGM drives in the system will need Qty-1, "CAN/RS485-01" com. module. 2. The Panel requires 1/120VAC Power.	<b>\$3,935</b>	V4

### PUMP GENIUS™ HMI WITH INTEGRATED PLC

To build on the foundation of the View-Only HMI and create a stand-alone Pump Genius application, WEG has developed a full package PUMP GENIUS™ HMI WITH INTEGRATED PLC where the logic for Pump Genius (Pump Control – Single or two or more Pumps in parallel) will reside in a PLC associated with the HMI. This HMI will have the following features:

- Compatible with WEG CFW3x0, CFW500, CFW11 & CFW900\* DRIVES, using Modbus RTU (RS-485 communication).
- Only one Program for Simplex (Single Pump) / Multiplex (two or more, up to 5 Pumps in parallel) application.
- VFD keypad only needed for Modbus address/ baud rate/protocol selection.
- Quick setup – only need to enter motor/system data once.
- Program developed and supported by WEG, which enables customization for special OEMs.
- Easier to take VFDs in/out of service. No Special firmware is needed.
- Easy tuning with the on-screen trends when setting up the PID loop.
- No laptop is required to configure. The wizards are built into the HMI and resemble WEG Simplex/Multiplex Pump Genius Wizards.
- Same functions, alarms, and protections currently available on WEG CFW11/500 PG.
- The HMI will offer one RJ45 com. port for the customer supervisory system to communicate with HMI using BACnet/IP or Modbus TCP.
- Step-by-step I&O manual provides details of each screen.

Catalog Number (Material Number)	Description	List Price	Multiplier
<b>PG-HMI</b> (17449271)	<p>Pump Genius HMI with integrated PLC and complete Pump Genius Program, 7", NEMA4X (for indoor use)</p> <p><b>NOTES:</b></p> <ol style="list-style-type: none"> <li>1. The process feedback shall be connected to the analog i/p of the VFD(s).</li> <li>2. The HMI requires 24 Vdc Power.</li> <li>3. The HMI communicates with VFDs using RS-485 (Modbus RTU). If the WEG VFDs being used with HMI don't have a built-in (Modbus RTU) communication port, an optional communication module for the WEG VFD shall be purchased separately.</li> </ol> 	<b>Contact WEG</b>	V4
<b>PG-HMI-ENCL</b> (17449222)	<p>Enclosed Panel (for indoor use only) with Pump Genius HMI with integrated PLC &amp; with the following items:</p> <ul style="list-style-type: none"> <li>- 20"h x 20"w x 12"d, NMEA4, wall mount enclosure.</li> <li>- Miniature Circuit Breaker.</li> <li>- 24VDC Power supply.</li> <li>- Enclosure door-mounted 7" PG HMI with PLC capability and complete Pump Genius program.</li> <li>- A set of panel drawings.</li> </ul> <p><b>NOTES:</b></p> <ol style="list-style-type: none"> <li>1. The process feedback shall be connected to the analog i/p of the VFD(s).</li> <li>2. The Panel requires 1/120 Vac Power.</li> <li>3. The HMI communicates with VFDs using RS-485 (Modbus RTU). If the WEG VFDs being used with HMI don't have a built-in (Modbus RTU) communication port, an optional communication module for the WEG VFD shall be purchased separately.</li> </ol> 	<b>Contact WEG</b>	V4
<b>PG-HMI-IO-ENCL</b> (17449057)	<p>Enclosed Panel (for indoor use only) with Pump Genius HMI with integrated PLC, PLC I/O Module, following items:</p> <ul style="list-style-type: none"> <li>- 20"h x 20"w x 12"d, NMEA4, wall mount enclosure.</li> <li>- Miniature Circuit Breaker.</li> <li>- 24VDC Power supply.</li> <li>- HMI/PLC I/O module (24DI, 16DO &amp; 4AI) to connect process feedback.</li> <li>- Enclosure door-mounted 7" PG HMI with PLC capability and complete Pump Genius program.</li> <li>- A set of panel drawings.</li> </ul> <p><b>NOTES:</b></p> <ol style="list-style-type: none"> <li>1. The process feedback shall be connected to the analog i/p of the HMI/PLC I/O Module.</li> <li>2. The Panel requires 1/120 Vac Power.</li> <li>3. The HMI communicates with VFDs using RS-485 (Modbus RTU). If the WEG VFDs being used with HMI don't have a built-in (Modbus RTU) communication port, an optional communication module for the WEG VFD shall be purchased separately.</li> </ol> 	<b>Contact WEG</b>	V4

**NOTES:**

\* Currently, the HMI is not compatible with WEG's newly launched CFW900 drive. The HMI program is in development and will be available by 3Q of 2024.

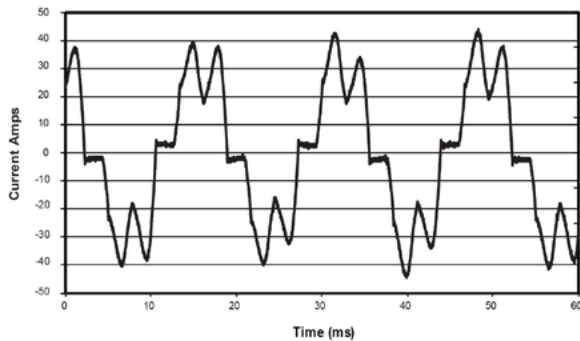
## LINE & LOAD REACTORS

**Line reactors** are electrical components that help protect 6-pulse rectifiers and power conversion devices such as variable frequency drives (VFDs). A line reactor can help reduce harmonics and protect the drive from harmful voltage spikes when used with a VFD. The line reactors are recommended on the input of each VFD in multiple drive applications.

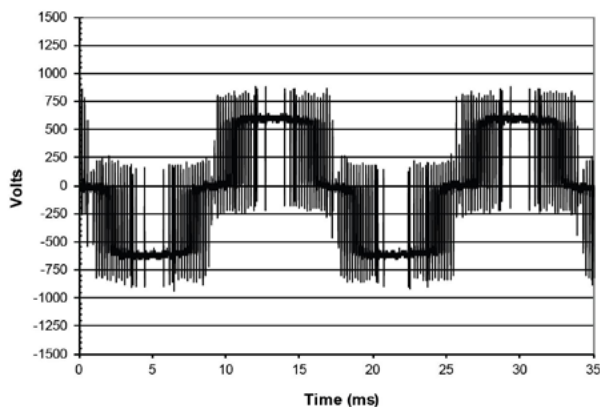
**Load reactors:** The reactors are constructed with durability in mind and can be used on both the input and output of a VFD. When used on the output of a drive, the reactors reduce voltage distortion at the motor terminals, extending the service life and minimizing the insulation stress of any motor.



Reduced Input Harmonic Current Distortion – with Line Reactor / VFD with DC Bus Choke



Reduced Output Voltage Spikes at Motor terminals – with Load Reactor



### Technical Specifications:

- Impedance Protection: Low “Z” (3%)
- System Voltage: 208/240 VAC, 480 VAC
- Ambient Temperature: 50° C (122° F) – Open; 40° C (104° F) – Enclosed
- Altitude (Maximum): 2,000 meters (6,000 feet) – Derating necessary above 2,000 meters
- Fundamental Frequency: 50/60 Hz
- Short Term Overload Rating: Tolerate 200% rated I for a maximum of 3 minutes.
- Agency Approvals: cULus Listed, CE Marked
- Inductance Characteristics: Minimum 95% L at 110% Load; Minimum 80% L at 150% Load
- Input and Output: Available for either the line or load side of a VFD
- Enclosure Options: Open & UL Type 3R



## 3% Line / Load Reactor - Open Type <sup>1</sup>

Motor Voltage	NEC Motor HP	NEC Motor Current	Max Continuous Amps <sup>2</sup>	Part Number	Dimensions (in.) H x W x D <sup>3</sup>	Watts Loss	Weight in Lbs <sup>3</sup>	List Price	Multiplier New (old)
3/208-240Vac	0.25	1.4	3.4	WKDRMA21L1	3.63 x 4.45 x 1.78	4.6	1.4	\$118	GA (V1)
	0.5	2.4	5	WKDRMA22L1	3.63 x 4.45 x 1.78	6.8	3.7	\$120	GA (V1)
	0.75	3.5	4.2	WKDRMA23L1	3.63 x 4.45 x 1.79	12.9	3	\$151	GA (V1)
	1	4.6	5.5	WKDRMA24L1	3.63 x 4.45 x 1.80	19.2	3.2	\$154	GA (V1)
	1.5	6.6	8	WKDRMA25L1	3.63 x 4.45 x 1.81	23.3	3.2	\$156	GA (V1)
	2	7.5	10	WKDRMA27L1	3.63 x 4.45 x 1.82	27	4	\$159	GA (V1)
	3	10.6	12	WKDRAA28L2	4.44 x 4.25 x 3.53	42	3	\$187	GA (V1)
	5	16.7	19	WKDRB22L	5.00 x 6.00 x 4.00	38	8	\$227	GA (V1)
	7.5	24.2	25	WKDRB23L	5.00 x 6.00 x 4.00	48	8	\$336	GA (V1)
	10	30.8	34	WKDRD25L	5.75 x 7.20 x 4.25	64	12	\$308	GA (V1)
	15	46.2	48	WKDRD24L	5.75 x 7.20 x 4.25	85	12	\$553	GA (V1)
	20	59.4	62	WKDRD26L	5.75 x 7.20 x 4.25	94	12	\$556	GA (V1)
	25	74.8	80	WKDRC22L	5.75 x 7.20 x 5.00	114	15	\$598	GA (V1)
	30	88	100	WKDRF24L	7.00 x 9.00 x 6.00	135	30	\$726	GA (V1)
	40	114	118	WKDRF25L	7.00 x 9.00 x 6.00	149	30	\$773	GA (V1)
	50	143	152	WKDRF26L	7.00 x 9.00 x 6.00	154	30	\$816	GA (V1)
	60	169	180	WKDRH22L	8.31 x 10.50 x 6.00	209	45	\$974	GA (V1)
	75	211	211	WKDRI23L	8.50 x 11.00 x 7.00	294	50	\$1,069	GA (V1)
	100	273	280	WKDRI24L	8.50 x 11.00 x 7.00	276	50	\$1,542	GA (V1)
	125	343	377	WKDRG22L	10.15 x 11.50 x 8.50	370	65	\$1,976	GA (V1)
150	396	420	WKDRJ23L	10.00 x 11.31 x 9.50	401	70	\$1,999	GA (V1)	
200	528	534	WKDRJ24L	10.00 x 11.31 x 9.50	442	70	\$2,444	GA (V1)	
3/480Vac	0.25	0.7	1.4	WKDRMA1L1	3.63 x 4.45 x 1.78	5	1.3	\$109	GA (V1)
	0.33	0.8	1.7	WKDRMA2L1	3.63 x 4.45 x 1.78	6.2	1.3	\$119	GA (V1)
	0.5	1.1	1.6	WKDRMA3L1	3.63 x 4.45 x 1.78	9.7	1.3	\$120	GA (V1)
	0.75	1.6	2.3	WKDRMA4L1	3.63 x 4.45 x 1.78	12.1	1.3	\$121	GA (V1)
	1	2.1	2.3	WKDRMA5L1	3.63 x 4.45 x 1.78	25.2	1.2	\$122	GA (V1)
	1.5	3	3.4	WKDRMA6L1	3.63 x 4.45 x 1.78	26.4	1.4	\$147	GA (V1)
	2	3.4	4.2	WKDRMA7L1	3.63 x 4.45 x 1.78	23.5	1.4	\$150	GA (V1)
	3	4.8	5	WKDRMA8L1	3.63 x 4.45 x 1.78	30.6	1.4	\$178	GA (V1)
	4	6.2	7.6	WKDRAA6L2	4.44 x 4.25 x 2.64	39	3	\$180	GA (V1)
	5	7.6	8.2	WKDRAA3L2	4.44 x 4.25 x 2.64	45	3	\$182	GA (V1)
	7.5	11	11	WKDRAA4L2	4.44 x 4.25 x 2.64	64	3.2	\$205	GA (V1)
	10	14	14	WKDRAA5L2	4.44 x 4.25 x 2.64	77.7	3.3	\$213	GA (V1)
	15	21	30	WKDRB2L	5.00 x 6.00 x 4.00	65	8	\$300	GA (V1)
	20	27	30	WKDRB1L	5.00 x 6.00 x 4.00	79	8	\$319	GA (V1)
	25	34	40	WKDRD1L	5.75 x 7.20 x 4.25	96	10	\$428	GA (V1)
	30	40	45	WKDRD2L	5.75 x 7.20 x 4.25	105	10	\$510	GA (V1)
	40	52	55	WKDRC1L	5.75 x 7.20 x 5.00	114	15	\$631	GA (V1)
	50	65	65	WKDRF2L	7.00 x 9.00 x 6.00	114	25	\$775	GA (V1)
	60	77	77	WKDRF4L	7.00 x 9.00 x 6.00	169	25	\$787	GA (V1)
	75	96	110	WKDRF3L	7.00 x 9.00 x 6.00	193	30	\$930	GA (V1)
	100	124	150	WKDRH3L	8.31 x 10.50 x 6.00	225	40	\$973	GA (V1)
	125	156	165	WKDRH2L	8.31 x 10.50 x 6.00	254	40	\$1,147	GA (V1)
	150	180	185	WKDRH1L	8.31 x 10.50 x 6.00	299	40	\$1,261	GA (V1)
	200	240	240	WKDRG3L	10.15 x 11.38 x 8.25	280	65	\$1,626	GA (V1)
	250	302	340	WKDRG1L	10.15 x 11.50 x 8.50	337	65	\$2,017	GA (V1)
	300	361	370	WKDRG2L	10.15 x 11.50 x 8.50	381	65	\$2,270	GA (V1)
	350	414	500	WKDRJ2L	10.00 x 11.31 x 9.50	465	70	\$2,618	GA (V1)
	400	477	520	WKDRJ1L	10.00 x 11.31 x 9.50	470	70	\$2,680	GA (V1)
	450	515	610	WKDRL1L	12.75 x 14.75 x 9.25	509	110	\$3,374	GA (V1)
	500	590	610	WKDRL2L	12.75 x 14.75 x 9.25	518	110	\$4,188	GA (V1)
	600	720	750	WKDRL3L	12.75 x 15.50 x 11.50	748	155	\$4,301	GA (V1)
	700	840	850	WKDRS1L <sup>4</sup>	12.75 x 15.65 x 14.25	872	158	\$7,036	GA (V1)
	800	960	965	WKDRX2L <sup>4</sup>	18.31 x 18.00 x 13.00	997	160	\$8,040	GA (V1)
	900	1080	1100	WKDRX3L <sup>4</sup>	18.50 x 18.00 x 14.50	1121	275	\$9,047	GA (V1)
1000	1200	1216	WKDRX1L <sup>4</sup>	18.50 x 18.00 x 14.50	1246	290	\$10,050	GA (V1)	

### NOTES:

1. The Reactors are non-stock items. Please Consult WEG for availability. Max. Ambient Temperature 50°C (122°F). Can be used with any WEG Drive family.
2. The maximum continuous current can be used to select the reactor. It shall be equal to or higher than the VFD input current (if used as line reactor) or Motor rated current (if used as load reactor).
3. Dimensions and weights are provided for estimating purposes only.
4. These reactors can only be used as load reactors.

# Variable Frequency Drives



## 3% Line / Load Reactor - Enclosed, UL Type 3R<sup>1</sup>

Motor Voltage	NEC Motor HP	NEC Motor Current	Max Continuous Amps <sup>2</sup>	Part Number	Dimensions (In.) H X W X D <sup>3</sup>	Watts Loss	Weight in Lbs <sup>3</sup>	List Price	Multiplier New (Old)	
3/208-24Vac	0.25	1.4	3.4	WKDRMA21L1E3R1	11.5 x 10.3 x 12	4.6	18	\$653	GA (V1)	
	0.5	2.4	5	WKDRMA22L1E3R1	11.5 x 10.3 x 12	6.8	18	\$656	GA (V1)	
	0.75	3.5	4.2	WKDRMA23L1E3R1	11.5 x 10.3 x 12	12.9	18	\$687	GA (V1)	
	1	4.6	5.5	WKDRMA24L1E3R1	11.5 x 10.3 x 12	19.2	18	\$690	GA (V1)	
	1.5	6.6	8	WKDRMA25L1E3R1	11.5 x 10.3 x 12	23.3	18	\$692	GA (V1)	
	2	7.5	10	WKDRMA27L1E3R1	11.5 x 10.3 x 12	27	18	\$694	GA (V1)	
	3	10.6	12	WKDRAA28L2E3R1	11.5 x 10.3 x 12	42	18	\$722	GA (V1)	
	5	16.7	19	WKDRB22LE3R	11.5 x 10.3 x 12	38	25	\$777	GA (V1)	
	7.5	24.2	25	WKDRB23LE3R	11.5 x 10.3 x 12	48	25	\$809	GA (V1)	
	10	30.8	34	WKDRD25LE3R	11.5 x 10.3 x 12	64	25	\$859	GA (V1)	
	15	46.2	48	WKDRD24LE3R	11.5 x 10.3 x 12	85	25	\$1,111	GA (V1)	
	20	59.4	62	WKDRD26LE3R	11.5 x 10.3 x 12	94	25	\$1,114	GA (V1)	
	25	74.8	80	WKDRC22LE3R	11.5 x 10.3 x 12	114	25	\$1,245	GA (V1)	
	30	88	100	WKDRF24LE3R	19.1 x 15.8 x 19.5	135	68	\$1,484	GA (V1)	
	40	114	118	WKDRF25LE3R	19.1 x 15.8 x 19.5	149	68	\$1,761	GA (V1)	
	50	143	152	WKDRF26LE3R	19.1 x 15.8 x 19.5	154	68	\$1,819	GA (V1)	
	60	169	180	WKDRH22LE3R	22.2 x 20.6 x 28.5	209	116	\$2,630	GA (V1)	
	75	211	211	WKDRJ23LE3R	22.2 x 20.6 x 28.5	294	116	\$2,742	GA (V1)	
	3/480Vac	100	273	280	WKDRJ24LE3R	22.2 x 20.6 x 28.5	276	116	\$3,215	GA (V1)
		125	343	377	WKDRG22LE3R	22.2 x 20.6 x 28.5	370	140	\$3,683	GA (V1)
150		396	420	WKDRJ23LE3R	22.2 x 20.6 x 28.5	401	140	\$3,893	GA (V1)	
200		528	534	WKDRJ24LE3R	22.2 x 20.6 x 28.5	442	140	\$4,345	GA (V1)	
0.25		0.7	1.4	WKDRMA1L1E3R1	11.5 x 10.3 x 12	5	18	\$643	GA (V1)	
0.33		0.8	1.7	WKDRMA2L1E3R1	11.5 x 10.3 x 12	6.2	18	\$653	GA (V1)	
0.5		1.1	1.6	WKDRMA3L1E3R1	11.5 x 10.3 x 12	9.7	18	\$656	GA (V1)	
0.75		1.6	2.3	WKDRMA4L1E3R1	11.5 x 10.3 x 12	12.1	18	\$657	GA (V1)	
1		2.1	2.3	WKDRMA5L1E3R1	11.5 x 10.3 x 12	25.2	18	\$658	GA (V1)	
1.5		3	3.4	WKDRMA6L1E3R1	11.5 x 10.3 x 12	26.4	18	\$683	GA (V1)	
2		3.4	4.2	WKDRMA7L1E3R1	11.5 x 10.3 x 12	23.5	18	\$685	GA (V1)	
3		4.8	5	WKDRMA8L1E3R1	11.5 x 10.3 x 12	30.6	18	\$713	GA (V1)	
4		6.2	7.6	WKDRAA6L2E3R1	11.5 x 10.3 x 12	39	18	\$716	GA (V1)	
5		7.6	8.2	WKDRAA3L2E3R1	11.5 x 10.3 x 12	45	18	\$718	GA (V1)	
7.5		11	11	WKDRAA4L2E3R1	11.5 x 10.3 x 12	64	18	\$741	GA (V1)	
10		14	14	WKDRAA5L2E3R1	11.5 x 10.3 x 12	77.7	18	\$749	GA (V1)	
15		21	30	WKDRB2LE3R	11.5 x 10.3 x 12	65	23	\$858	GA (V1)	
20		27	30	WKDRB1LE3R	11.5 x 10.3 x 12	79	24	\$878	GA (V1)	
25		34	40	WKDRD1LE3R	11.5 x 10.3 x 12	96	25	\$994	GA (V1)	
30		40	45	WKDRD2LE3R	11.5 x 10.3 x 12	105	28	\$1,070	GA (V1)	
40	52	55	WKDRC1LE3R	11.5 x 10.3 x 12	114	30	\$1,195	GA (V1)		
50	65	65	WKDRF2LE3R	19.1 x 15.8 x 19.5	114	63	\$1,641	GA (V1)		
60	77	77	WKDRF4LE3R	19.1 x 15.8 x 19.5	169	65	\$1,657	GA (V1)		
75	96	110	WKDRF3LE3R	19.1 x 15.8 x 19.5	193	68	\$1,930	GA (V1)		
100	124	150	WKDRH3LE3R	19.1 x 15.8 x 19.5	225	78	\$1,974	GA (V1)		
125	156	165	WKDRH2LE3R	19.1 x 15.8 x 19.5	254	78	\$2,155	GA (V1)		
150	180	185	WKDRH1LE3R	22.1 x 20.8 x 28.5	299	110	\$2,924	GA (V1)		
200	240	240	WKDRG3LE3R	22.1 x 20.8 x 28.5	280	135	\$3,439	GA (V1)		
250	302	340	WKDRG1LE3R	22.1 x 20.8 x 28.5	337	135	\$3,807	GA (V1)		
300	361	370	WKDRG2LE3R	22.1 x 20.8 x 28.5	381	135	\$4,064	GA (V1)		
350	414	500	WKDRJ2LE3R	22.1 x 20.8 x 28.5	465	135	\$4,524	GA (V1)		
400	477	520	WKDRJ1LE3R	22.1 x 20.8 x 28.5	470	136	\$4,590	GA (V1)		
450	515	610	WKDRL1LE3R	22.1 x 20.8 x 28.5	509	180	\$5,362	GA (V1)		
500	590	610	WKDRL2LE3R	22.1 x 20.8 x 28.5	518	180	\$6,214	GA (V1)		
600	720	750	WKDRL3LE3R	36 x 29 x 37	748	275	\$10,050	GA (V1)		
700	840	850	WKDRS1LE3R <sup>4</sup>	36 x 29 x 37	872	355	\$12,914	GA (V1)		
800	960	965	WKDRX2LE3R <sup>4</sup>	36 x 29 x 37	997	620	\$14,045	GA (V1)		
900	1080	1100	WKDRX3LE3R <sup>4</sup>	Consult WEG	1121	Consult WEG	\$15,455	GA (V1)		
1000	1200	1216	WKDRX1LE3R <sup>4</sup>		1246		\$16,610	GA (V1)		

**NOTES:**

- The Reactors are non-stock items. Please Consult WEG for availability. Max. Ambient Temperature 50°C (122°F). Can be used with any WEG Drive family.
- The maximum continuous current can be used to select the reactor. It shall be equal to or higher than the VFD input current (if used as line reactor) or Motor rated current (if used as load reactor).
- Dimensions and weights are provided for estimating purposes only.
- These reactors can only be used as load reactors.



## SSW05 – Reduced Voltage Soft Starter

The WEG SSW05 Soft Starter is a super compact fully digital soft starter with a state-of-the-art DSP controller. Its digital construction provides optimum operation, diagnostics capability and full motor protection. Simplicity in set-up and operation is assured since all parameters and set-up selections are made via dip switches and potentiometers. Status LED's alert the user of the operational status of the SSW05. Simplicity, ease of set-up, and the small panel assures quick and easy installation and operation.

### Standard Features

- 208 - 480V, 50/60Hz input power supply
- Duty cycle: 300% rated current during 10 seconds, 4 starts per hour
- Built-in by-pass contactor
- One digital input for Start/Stop (90 - 250 Vac)
- One digital input for Fault Reset (90 - 250 Vac)
- One relay output for Run indication (1 Amp - 250V)
- One relay output for Full Voltage indication (1 Amp - 250V)
- RS-232 serial port
- Adjustable acceleration and deceleration ramps (1 - 20 seconds)
- For high inertia loads, see SSW07 product line.
- Adjustable pedestal voltage (30 - 80% of line voltage)
- Protective features: Motor overload, over current and locked rotor, SCR overload, phase loss and phase sequence
- DIN rail or direct mount
- Ambient: 32°F (0°C) to 131°F (55°C), 3300ft (1000m) altitude, 90% non-condensing humidity
- SuperDrive compatible
- Remote Keypad (optional)



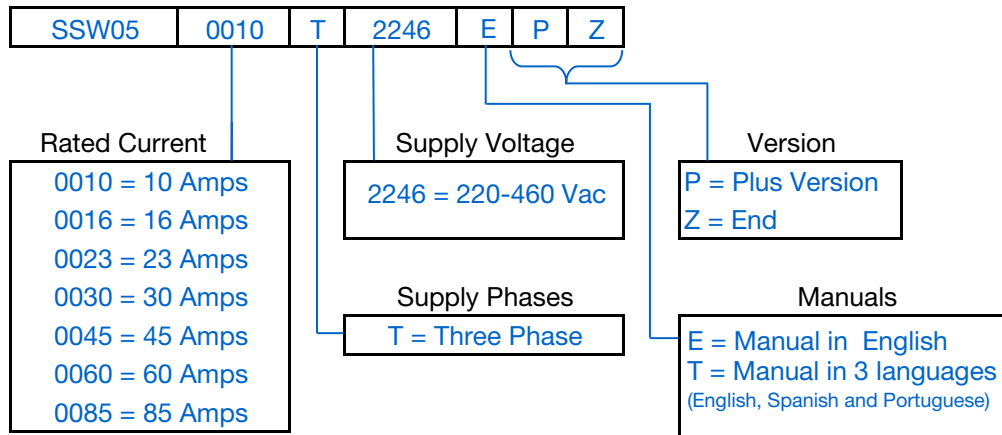
### Applications

- Pumps
- Fans
- Blowers
- Compressors





### SSW05 Catalog Number Sequence



*Table intended as reference only and not to create part numbers.*

## SSW05

### Protected Chassis Enclosure

Motor Voltage	Motor HP <sup>1</sup>	Starter Amps <sup>2</sup>	Current Catalog (Old Catalog Number)	Frame Size	Dimensions (in.) HxWxD	Approx. Weight (lbs.)	List Price	Multiplier New (Old)
<b>Input Power Supply: Three-Phase 230 Vac</b>								
230 Vac	3	10	<a href="#">SSW050010T2246TPZ</a> <a href="#">(SSW050010T2246EPZ)</a>	1	5.1 x 2.3 x 5.7	3	<b>\$531</b>	E15 (E1)
	5	16	<a href="#">SSW050016T2246TPZ</a> <a href="#">(SSW050016T2246EPZ)</a>	1	5.1 x 2.3 x 5.7	3	<b>\$603</b>	E15 (E1)
	7.5	23	<a href="#">SSW050023T2246TPZ</a> <a href="#">(SSW050023T2246EPZ)</a>	1	5.1 x 2.3 x 5.7	3	<b>\$694</b>	E15 (E1)
	10	30	<a href="#">SSW050030T2246TPZ</a> <a href="#">(SSW050030T2246EPZ)</a>	1	5.1 x 2.3 x 5.7	3	<b>\$754</b>	E15 (E1)
	15	45	<a href="#">SSW050045T2246TPZ</a> <a href="#">(SSW050045T2246EPZ)</a>	2	7.3 x 3.1 x 6.8	6	<b>\$943</b>	E15 (E1)
	25	60	<a href="#">SSW050060T2246TPZ</a> <a href="#">(SSW050060T2246EPZ)</a>	2	7.3 x 3.1 x 6.8	6	<b>\$1,135</b>	E15 (E1)
	30	85	<a href="#">SSW050085T2246TPZ</a> <a href="#">(SSW050085T2246EPZ)</a>	2	7.3 x 3.1 x 6.8	6	<b>\$1,382</b>	E15 (E1)
<b>Input Power Supply: Three-Phase 460 Vac</b>								
460 Vac	5	10	<a href="#">SSW050010T2246TPZ</a> <a href="#">(SSW050010T2246EPZ)</a>	1	5.1 x 2.3 x 5.7	3	<b>\$531</b>	E15 (E1)
	10	16	<a href="#">SSW050016T2246TPZ</a> <a href="#">(SSW050016T2246EPZ)</a>	1	5.1 x 2.3 x 5.7	3	<b>\$603</b>	E15 (E1)
	15	23	<a href="#">SSW050023T2246TPZ</a> <a href="#">(SSW050023T2246EPZ)</a>	1	5.1 x 2.3 x 5.7	3	<b>\$694</b>	E15 (E1)
	20	30	<a href="#">SSW050030T2246TPZ</a> <a href="#">(SSW050030T2246EPZ)</a>	1	5.1 x 2.3 x 5.7	3	<b>\$754</b>	E15 (E1)
	30	45	<a href="#">SSW050045T2246TPZ</a> <a href="#">(SSW050045T2246EPZ)</a>	2	7.3 x 3.1 x 6.8	6	<b>\$943</b>	E15 (E1)
	40	60	<a href="#">SSW050060T2246TPZ</a> <a href="#">(SSW050060T2246EPZ)</a>	2	7.3 x 3.1 x 6.8	6	<b>\$1,135</b>	E15 (E1)
	60 / 75	85	<a href="#">SSW050085T2246TPZ</a> <a href="#">(SSW050085T2246EPZ)</a>	2	7.3 x 3.1 x 6.8	6	<b>\$1,382</b>	E15 (E1)

**NOTES:**

1) "HP" rating based on FLA values from WEG W22, 2 and 4 pole, NEMA Premium motors.

2) Motor FLA may vary with speed and manufacturer. ALWAYS compare motor FLA to Nominal AMPS of the starter.

## Options and Accessories

Type	Catalog Number	Description	Approx. Weight (lbs)	List Price	Multiplier New (Old)
Remote Keypad	<a href="#">SSW05-HMI-RS</a>	Remote Keypad with LED Display	1.1	<b>\$120</b>	E15 (E1)
Remote Cable	<a href="#">CAB-RS-1</a>	3.3 ft (1 meter) Remote Keypad Cable	0.5	<b>\$23</b>	E17 (V1)
	<a href="#">CAB-RS-2</a>	6.6 ft (2 meter) Remote Keypad Cable	0.7	<b>\$31</b>	E17 (V1)
	<a href="#">SSW05-07-08-CRS-3M</a>	9.9 ft (3 meter) Remote Keypad Cable	1.0	<b>\$41</b>	E17 (V1)
	<a href="#">SSW05-07-08-CRS-5M</a>	16 ft (5 meter) Remote Keypad Cable	1.2	<b>\$51</b>	E17 (V1)
	<a href="#">CAB-RS-7.5</a>	25 ft (7.5 meter) Remote Keypad Cable	1.5	<b>\$62</b>	E17 (V1)
	<a href="#">CAB-RS-10</a>	33 ft (10 meter) Remote Keypad Cable	2.0	<b>\$72</b>	E17 (V1)

### Settings and Indications



### SSW05 – Technical Data

<b>Power Supply</b>	Main Voltage	208... 480 Vac (+10%, -15%)
	Control Voltage	90 ...250 Vac
	Frequency	50 / 60Hz (+/- 5Hz)
<b>Enclosure</b>	IP00 Protected Chassis	
<b>Duty Cycle</b>	300% rated current during 10 seconds, 4 starts per hour	
<b>Control Inputs</b>	Digital	One input for Start/Stop (90 - 250 Vac) One input for Fault Reset (90 - 250 Vac)
	Digital	One relay output for Run indication (1 Amp - 250V) One relay output for Full Voltage indication (1 Amp - 250V)
<b>Control Outputs</b>	Digital	
<b>Communication</b>	Serial Interface	RS-232C
<b>Safety</b>	Protection	Motor overload*
		Locked rotor*
		Over current*
		Phase sequence*
		Phase loss*
		SCR overload
<b>Control Features</b>	Pedestal Voltage	30 ... 80% of line voltage
	Accel Ramp	1 ... 20 seconds
	Decel Ramp	Off ... 20 seconds
	Motor Current	30 ... 100% of SSW-05 rating
	Fault Reset	Manual or Automatic
<b>Ambient</b>	Temperature	32 ... 131°F (0 - 55°C)
	Humidity	0...90% Non Condensing
	Altitude	0 ... 1000m (3,300 ft) – Standard Operation at Rated Current Up to 4000m (13,200 ft) – With Current Derating (1%/100m (328 ft) above 1000m (13,200 ft) )
<b>Conformities</b>	Low Voltage	UL 508 – Industrial Control Equipment IEC 60947-4-2
	EMC	EMC Directive 89 / 336 / EEC – Industrial Environment, Class A

\* Can be disabled

## SSW07 – Reduced Voltage Soft Starter

Soft Starters are static starting devices, designed for the acceleration, deceleration and protection of the three phase, electric induction motors through the control of the voltage applied to the motor. The SSW07, with DSP control (Digital Signal Processor), was designed to provide great performance on motor starts and stops with an excellent cost-benefit relation. Easy to set up, it simplifies start-up activities and daily operations.

The SSW07 is compact, optimizing space in electric panels. The SSW07 incorporates all electric motor protections and adapts to customer needs through its easy-to-install optional accessories. Optionally, a keypad, a communication interface or a motor PTC input can be added to the product.



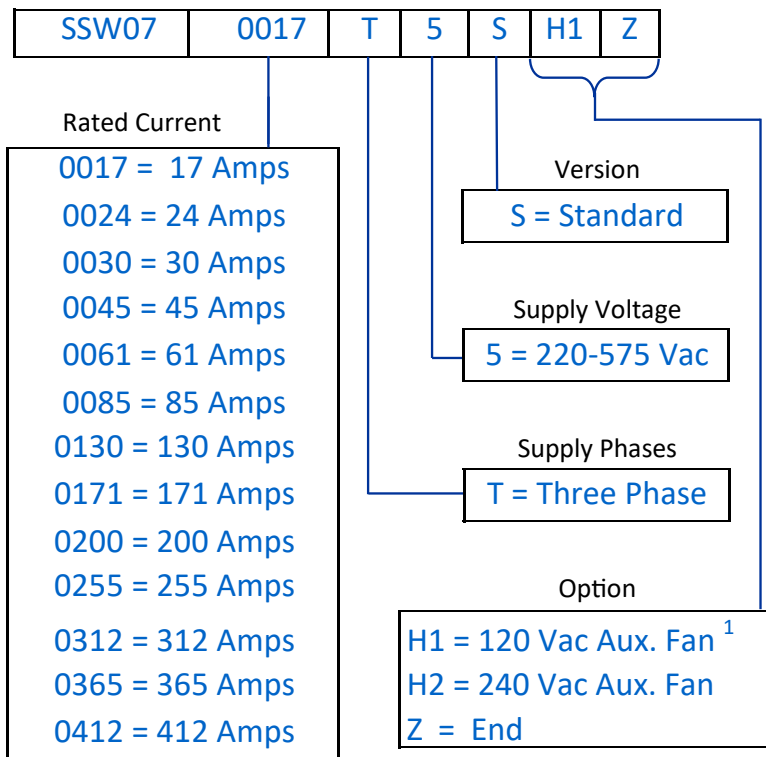
### Standard Features

- Universal voltage (220 to 575 Vac)
- Built-in run rated (AC1) By-pass contactor
- Significant reduction of mechanical stresses through the coupling and transmission devices (gearboxes, pulleys, gears, conveyors, etc.) during the start
- Increases motor and machine mechanical equipment lifetime due to the elimination of mechanical shock
- Easy operation, setup, maintenance & installation
- Simple setpoint programming through trim pots
- Operates in environments up to 55°C without current reduction
- Integral, electronic motor protection
- Built-in electronic thermal relay
- Avoids “Water Hammer” in pumps
- Limitation of voltage drop during start
- Switched type power supply with EMC filter for the control electronics (110 to 240 Vac)
- SuperDrive G2 compatible
- Conformal coated circuit boards

### Applications

- Chemical and Petrochemical
- Plastic and Rubber
- Pulp and Paper
- Sugar and Alcohol
- Beverages
- Cement and Mining
- Food and Beverage
- Textile
- Metallurgy
- Ceramics
- Glass
- Refrigeration
- Wood
- Sanitation
- Load Transportation
- Pumps and Fans

### SSW07 Catalog Number Sequence



1) Aux. Cooling Fan for SSW07 Frame 4 Only  
Requires 120 Vac Single-Phase Power

*Table intended as reference only and not to create part numbers.*

## SSW07

### Protected Chassis Enclosure

Motor Voltage	Standard Duty (300%, 30s, 10 starts/hr @ 55°C)		Heavy Duty <sup>4</sup> (450%, 30s, 4 starts/hr @ 55°C)		Catalog Number (Old Catalog Number)	Frame Size	Dimensions (in.) HxWxD	Approx. Weight (lbs.)	List Price	Multiplier New (Old)	
	Motor HP <sup>1</sup>	Starter Amps <sup>2</sup>	Motor HP <sup>1</sup>	Starter Amps <sup>2</sup>							
230 Vac	Input Power Supply: Three-Phase 230 Vac										
	5	17	5	14	SSW070017T5SZ	1	6.4 x 2.3 x 5.7	2.9	\$1,158	E17 (E1)	
	7.5	24	7.5	20	SSW070024T5SZ	1	6.4 x 2.3 x 5.7	2.9	\$1,241	E17 (E1)	
	10	30	10	25	SSW070030T5SZ	1	6.4 x 2.3 x 5.7	2.9	\$1,281	E17 (E1)	
	15	45	10	31	SSW070045T5SZ <sup>3</sup>	2	8.2 x 5.6 x 8.0	7.3	\$1,461	E17 (E1)	
	25	61	15	43	SSW070061T5SZ <sup>3</sup>	2	8.2 x 5.6 x 8.0	7.3	\$1,646	E17 (E1)	
	30	85	20/25	60	SSW070085T5SZ <sup>3</sup>	2	8.2 x 5.6 x 8.0	7.3	\$1,992	E17 (E1)	
	50	130	30/40	94	SSW070130T5SZ <sup>3</sup>	3	10.9 x 8.6 x 8.7	16.8	\$2,501	E17 (E1)	
	60	171	50	125	SSW070171T5SZ <sup>3</sup>	3	10.9 x 8.6 x 8.7	16.8	\$3,177	E17 (E1)	
	75	200	60	150	SSW070200T5SZ <sup>3</sup>	3	10.9 x 8.6 x 8.7	16.8	\$3,766	E17 (E1)	
	100	255	75	185	SSW070255T5SH1Z (SSW070255T5SZ)	4	13.0 x 9.0 x 9.6	28.2	\$4,598	E17 (E1)	
	125	312	75	224	SSW070312T5SH1Z (SSW070312T5SZ)	4	13.0 x 9.0 x 9.6	28.2	\$4,992	E17 (E1)	
	150	365	100	263	SSW070365T5SH1Z (SSW070365T5SZ)	4	13.0 x 9.0 x 9.6	28.2	\$5,187	E17 (E1)	
	150	412	125	298	SSW070412T5SH1Z (SSW070412T5SZ)	4	13.0 x 9.0 x 9.6	28.2	\$6,088	E17 (E1)	
460 Vac	Input Power Supply: Three-Phase 460 Vac										
	10	17	10	14	SSW070017T5SZ	1	6.4 x 2.3 x 5.7	2.9	\$1,158	E17 (E1)	
	15	24	15	20	SSW070024T5SZ	1	6.4 x 2.3 x 5.7	2.9	\$1,241	E17 (E1)	
	20	30	20	25	SSW070030T5SZ	1	6.4 x 2.3 x 5.7	2.9	\$1,281	E17 (E1)	
	30	45	25	31	SSW070045T5SZ <sup>3</sup>	2	8.2 x 5.6 x 8.0	7.3	\$1,461	E17 (E1)	
	40/50	61	30	43	SSW070061T5SZ <sup>3</sup>	2	8.2 x 5.6 x 8.0	7.3	\$1,646	E17 (E1)	
	75	85	40/50	60	SSW070085T5SZ <sup>3</sup>	2	8.2 x 5.6 x 8.0	7.3	\$1,992	E17 (E1)	
	100	130	60/75	94	SSW070130T5SZ <sup>3</sup>	3	10.9 x 8.6 x 8.7	16.8	\$2,501	E17 (E1)	
	125	171	100	125	SSW070171T5SZ <sup>3</sup>	3	10.9 x 8.6 x 8.7	16.8	\$3,177	E17 (E1)	
	150	200	125	150	SSW070200T5SZ <sup>3</sup>	3	10.9 x 8.6 x 8.7	16.8	\$3,766	E17 (E1)	
	200	255	150	185	SSW070255T5SH1Z (SSW070255T5SZ)	4	13.0 x 9.0 x 9.6	28.2	\$4,598	E17 (E1)	
	250	312	175	224	SSW070312T5SH1Z (SSW070312T5SZ)	4	13.0 x 9.0 x 9.6	28.2	\$4,992	E17 (E1)	
	300	365	200	263	SSW070365T5SH1Z (SSW070365T5SZ)	4	13.0 x 9.0 x 9.6	28.2	\$5,187	E17 (E1)	
	350	412	250	298	SSW070412T5SH1Z (SSW070412T5SZ)	4	13.0 x 9.0 x 9.6	28.2	\$6,088	E17 (E1)	

**NOTES:**

1) "HP" rating based on FLA values from WEG W22, 2 and 4 pole, NEMA Premium motors.

2) Motor FLA may vary with speed and manufacturer. ALWAYS compare motor FLA to Nominal AMPS of starter.

3) Must be used with Ventilation kit.

4) Crusher, loaded Conveyor, Shredder, wood chipper, centrifuge, High inertia centrifugal fan, ball mill, hammer mill etc. are application examples where Heavy duty rated soft starter shall be used.



### Protected Chassis Enclosure

Motor Voltage	Standard Duty (300%, 30s, 10 starts/hr @ 55°C)		Heavy Duty <sup>4</sup> (450%, 30s, 4 starts/hr @ 55°C)		Catalog Number (Old Catalog Number)	Frame Size	Dimensions (in.) HxWxD	Approx. Weight (lbs.)	List Price	Multiplier New (Old)	
	Motor HP <sup>1</sup>	Starter Amps <sup>2</sup>	Motor HP <sup>1</sup>	Starter Amps <sup>2</sup>							
575 Vac	Input Power Supply: Three-Phase 230 Vac										
	15	17	10	14	SSW070017T5SZ	1	6.4 x 2.3 x 5.7	2.9	<b>\$1,158</b>	E17 (E1)	
	25	24	20	20	SSW070024T5SZ	1	6.4 x 2.3 x 5.7	2.9	<b>\$1,241</b>	E17 (E1)	
	30	30	25	25	SSW070030T5SZ	1	6.4 x 2.3 x 5.7	2.9	<b>\$1,281</b>	E17 (E1)	
	40	45	30	31	SSW070045T5SZ <sup>3</sup>	2	8.2 x 5.6 x 8.0	7.3	<b>\$1,461</b>	E17 (E1)	
	60	61	40	43	SSW070061T5SZ <sup>3</sup>	2	8.2 x 5.6 x 8.0	7.3	<b>\$1,646</b>	E17 (E1)	
	75	85	50/60	60	SSW070085T5SZ <sup>3</sup>	2	8.2 x 5.6 x 8.0	7.3	<b>\$1,992</b>	E17 (E1)	
	125	130	75/100	94	SSW070130T5SZ <sup>3</sup>	3	10.9 x 8.6 x 8.7	16.8	<b>\$2,501</b>	E17 (E1)	
	150	171	125	125	SSW070171T5SZ <sup>3</sup>	3	10.9 x 8.6 x 8.7	16.8	<b>\$3,177</b>	E17 (E1)	
	200	200	150	150	SSW070200T5SZ <sup>3</sup>	3	10.9 x 8.6 x 8.7	16.8	<b>\$3,766</b>	E17 (E1)	
	250	255	200	185	SSW070255T5SH1Z (SSW070255T5SZ)	4	13.0 x 9.0 x 9.6	28.2	<b>\$4,598</b>	E17 (E1)	
	300	312	250	224	SSW070312T5SH1Z (SSW070312T5SZ)	4	13.0 x 9.0 x 9.6	28.2	<b>\$4,992</b>	E17 (E1)	
	400	365	250	263	SSW070365T5SH1Z (SSW070365T5SZ)	4	13.0 x 9.0 x 9.6	28.2	<b>\$5,187</b>	E17 (E1)	
	450	412	300	298	SSW070412T5SH1Z (SSW070412T5SZ)	4	13.0 x 9.0 x 9.6	28.2	<b>\$6,088</b>	E17 (E1)	

**NOTES:**

1) "HP" rating based on FLA values from WEG W22, 2 and 4 pole, NEMA Premium motors.

2) Motor FLA may vary with speed and manufacturer. ALWAYS compare motor FLA to Nominal AMPS of starter.

3) Must be used with Ventilation kit.

4) Crusher, loaded Conveyor, Shredder, wood chipper, centrifuge, High inertia centrifugal fan, ball mill, hammer mill etc. are application examples where Heavy duty rated soft starter shall be used.

## SSW07

### Options and Accessories

Type	Catalog Number	Description	Approx. Weight (lbs.)	List Price	Multiplier New (Old)
Keypad	<b>SSW07-08-HMI-LOC</b>	Local Keypad – Mounts on SSW07 Soft Starter	1.1	<b>\$174</b>	E17 (E1)
	<b>SSW07-HMI-REM</b>	Remote Keypad Kit – Includes HMI and Interface Module	3.1	<b>\$340</b>	E17 (E1)
	<b>SSW07-HMI-REM-485</b>	Remote Keypad Kit – Includes HMI RS485 Comm. Card	3.8	<b>\$427</b>	E17 (E1)
Remote Cable	<b>CAB-RS-1</b>	3.3 ft (1 meter) Remote Keypad Cable	0.5	<b>\$23</b>	E17 (V1)
	<b>CAB-RS-2</b>	6.6 ft (2 meter) Remote Keypad Cable	0.7	<b>\$31</b>	E17 (V1)
	<b>SSW05-07-08-CRS-3M</b>	9.9 ft (3 meter) Remote Keypad Cable	1.0	<b>\$41</b>	E17 (V1)
	<b>SSW05-07-08-CRS-5M</b>	16 ft (5 meter) Remote Keypad Cable	1.2	<b>\$51</b>	E17 (V1)
	<b>CAB-RS-7.5</b>	25 ft (7.5 meter) Remote Keypad Cable	1.5	<b>\$62</b>	E17 (V1)
	<b>CAB-RS-10</b>	33 ft (10 meter) Remote Keypad Cable	2.0	<b>\$72</b>	E17 (V1)
Communication	<b>SSW07-08-KRS-232</b>	RS-232 Communication Kit	1.6	<b>\$121</b>	E17 (E1)
	<b>SSW07-08-KRS-485</b>	RS-485 Communication Kit	1.6	<b>\$201</b>	E17 (E1)
	<b>CAB-COMM-3</b>	Cable for Communication RS232 (DB9-DB9) – 9.9ft. (3 meter)	1.1	<b>\$75</b>	E17 (E1)
	<b>CAB-COMM-10</b>	Cable for Communication RS232 (DB9-DB9) – 33 ft (10 meter)	2.0	<b>\$164</b>	E17 (E1)
	<b>KFB-DN-SSW07</b>	DeviceNet Communication Kit plus Remote HMI Connection	2.3	<b>\$353</b>	E17 (E1)
Kits	<b>SSW0708900-KVT-2B<sup>1</sup></b>	Ventilation Kit M2 (Frame Size 2, 45 to 85A)	1.4	<b>\$65</b>	E17 (E1)
	<b>SSW0708900-KVT-3C<sup>1</sup></b>	Ventilation Kit M3 (Frame Size 3, 130 to 200A)	1.4	<b>\$94</b>	E17 (E1)
	<b>SSW07-08-KPTC-MTR</b>	PTC Kit for motor	0.8	<b>\$123</b>	E17 (E1)
	<b>SSW0708900-IP20-3C</b>	IP20 Kit for M3 (Frame Size 3, 130 to 200A)	1.1	<b>\$62</b>	E17 (E1)
	<b>SSW0708900-IP20-4D</b>	IP20 Kit for M4 (Frame Size 4, 255 to 412A)	1.1	<b>\$130</b>	E17 (E1)
	<b>KSDG2-SSW07</b>	Superdrive G2 Kit (Includes KRS-232-SSW07, CAB-COMM-3, CD Software)	1.9	<b>\$225</b>	E17 (E1)

**NOTES:**

1) M2 and M3 Ventilation Kit Cooling Fans require 120 Vac Single-Phase Power



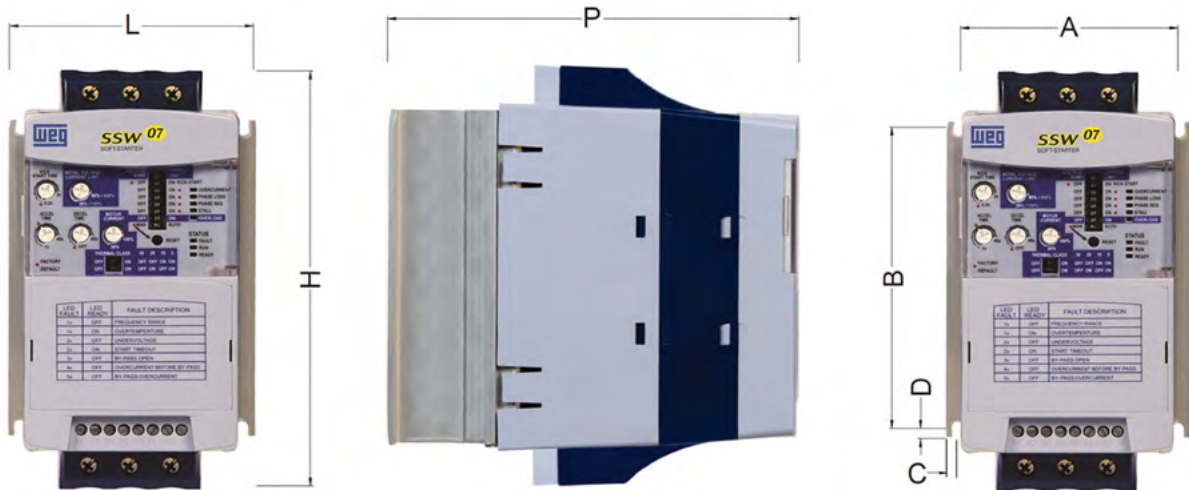
**HMI-REMOTE-SSW07; REMOTE KEYPAD**



### Dimensions

Frame Size IP20"	Height 'H' in. (mm)	"Width 'L' in. (mm)"	"Depth 'P' in. (mm)"	"A' in. (mm)"	"B' in. (mm)"	"C' in. (mm)"	"D' in. (mm)"	"Mounting Screw in. (metric)"	"Weight Lbs. (kg)"
1	6.4 (162)	3.8 (95)	6.2 (157)	3.4 (85)	4.8 (120)	0.20 (5)	0.16 (4.0)	5/32 (M4)	2.9 (1.3)
2	8.3 (208)	5.6 (141)	8.0 (202)	5.2 (132)	5.9 (148)	0.25 (6)	0.13 (3.4)	5/32 (M4)	7.3 (3.3)
3	10.9 (276)	8.6 (218)	8.7 (220)	8.2 (208)	8.3 (210)	0.30 (7.5)	0.20 (5.0)	3/16 (M5)	16.8 (7.6)
4*	13.1 (331)	9.0 (227)	9.6 (242)	9.6 (242)	11.0 (280)	0.60 (15)	0.35 (9.0)	5/16 (M8)	25.4 (11.5)

\* Frame 4 is IP00 protection rating. See Page 80 for IP20 kit.



## SSW07

### Technical Data

<b>Power Supply</b>	Power	220 to 575 Vac	
	Control	110 to 240 Vac (-15% to +10%), or 91 to 264 Vac, Models from 17A to 200A 110 to 130 Vca (-15% to +10%), or 91 to 143 Vac, Models from 255A and above	
	Frequency	50 to 60 Hz (+/- 10%), or 45 to 66 Hz	
<b>Enclosure</b>	Injected plastic	IP20 in models from 17 to 85 A	
		IP00 in models from 130 to 200 A (IP20 as option)	
<b>Control</b>	Control Method	Voltage variation over the load (three-phase induction motor)	
	CPU	DSP type microcontroller (Digital Signal Processor)	
	Types of Control	Voltage ramp Current limit adjustable 150 - 450%	
<b>Ambient</b>	Temperature	32...132 F ( 0...55C)	
	Humidity	Humidity 5% ... 90% non condensing	
	Altitude	0...3300 ft ( 0 ... 1000m): standard operation at rated current. Up to 13300 ft (4000m): with 10% / 1000m output current de rating.	
<b>Starting Cycle (1)</b>	Normal	300% (3 x Inom.) during 30 s, 10 starts per hour ( every 6 minutes)	
<b>Inputs</b>	Digital	3 isolated programmable inputs (120Vac)	
<b>Outputs</b>	Relay	2 relays with NO contacts, 240Vac, 1A, programmable functions	
<b>Safety</b>	Standard Protection	Overcurrent;	Locked Rotor
		Overcurrent before By-pass	Excess starting time
		Phase loss;	Frequency outside tolerance
		Inverted phase sequence;	By-pass contact open
		Overtemperature in power heatsink;	Undervoltage in control supply
		Motor Overload (class 5 to 30)	
		Undercurrent	Programming error
		Current imbalance	Serial communication error
		Subcurrent before By-pass	MMI communication error
		External defects	Overtemperature in motor PTC
<b>Functions / Resources</b>	Standard	Voltage ramp (Initial voltage: 30% to 90%)	
		Current limitation (150% to 450% of SSW-07 rated current)	
		Starting time (1 to 40s)	
		Kick Start (Off - 0,2 to 2s)	
		Deceleration ramp ( 0 to 40s)	
		Motor and SSW-07 current relation (50% to 100%)	
		Faults auto-reset	
		Thermal memory auto-reset	
		Factory standard reset	
		Soft-starter built-in By-pass	
<b>Ambient</b>	Temperature	0...131 °F ( 0 ... 55°C): standard operation at rated current	
	Humidity	20 ... 90%, non condensing	
	Altitude	0...3300 ft ( 0 ... 1000 m): standard operation at rated current Up to 13300 ft (4000 m): with1% output current De-rating for every 100 meter above 1000m.	

**Note:**

1) For the 45 to 200 Amp units using the ventilation kit.

*Continued on next page*

### Technical Data – continued

<b>Programming Accessory</b> (MMI or Serial communication)	Command	On, Off / Reset and Parameterization (function Programming)
	Additional Functions / Resources	Starting time up to 240s
		Deceleration time up to 240s
		Program enabling password
		Selection for Local / Remote operation
		COPY function (SSW-07 >>> MMI and MMI >>> SSW-07)
		Programmable rated voltage
	Supervision (Reading)	Motor current (%Soft-Starter In)
		Motor current (%motor In)
		Motor current (A)
		Current indication in each phase R-S-T
		Supply network frequency
		Apparent power supplied to load (kVA)
		Soft-Starter status
		Digital input and output status
		Back up of 4 last errors
		Soft-Starter Software Version
		Heatsink temperature
		Motor thermal protection status
<b>Accessories and Options</b>		Options
	MMI remote Kit	
	1,2,3,5,7.5 and 10m for remote MMI interconnection	
	RS-232 communication kit	
	SSW-07 interconnection cables>>> PC Serial (RS-232) 3 and 10m	
	RS-485 communication kit	
	Motor PTC kit	
	Ventilation kit for size 2 (45 to 85 A)	
	Ventilation kit for size 3 (130 to 200 A)	
	IP20 kit for size 3 (130 to 200 A)	
<b>Finishing</b>	Color	Lid: Gray Ultra Mat
		Cabinet: Blue Ultra Mat
<b>Certifications</b>	Safety	UL 508 Standard - Industrial Control Equipment
	Low voltage	EN60947-4-2;LVD 2006/95/EC Standard - Low voltage Directive
	EMC	EMC 89/336/EEC Directive - Industrial Environment
	UL (USA) / cUL (Canada)	Underwriters Laboratories Inc. - USA
	CE (Europe)	Conformity test conducted by EPCOS
	C-Tick (Australia)	Australian Communication Authority
GOST (Russia)		

## SSW900 – Reduced Voltage Soft Starter

The Next Generation Advanced RVSS with Bluetooth Capability

Combining convenience and innovation, the SSW900 is the right choice for a complete motor protection and start/stop control. Developed for industrial use, the new line of soft-starters allows easy and simple access to the configuration settings and application data. Using a well-structured menu interface, the SSW900 line provides an unprecedented experience of interactivity with the user, allowing adjustments and configurations with online parameter help right on the Keypad. In addition, event logs with date and time & set up assistant are available. All models of SSW900 soft starter have built in AC1 bypass, which contributes to extending the life of the soft starter, optimizing space, and reducing heat dissipation inside electric panels.

### Standard Features

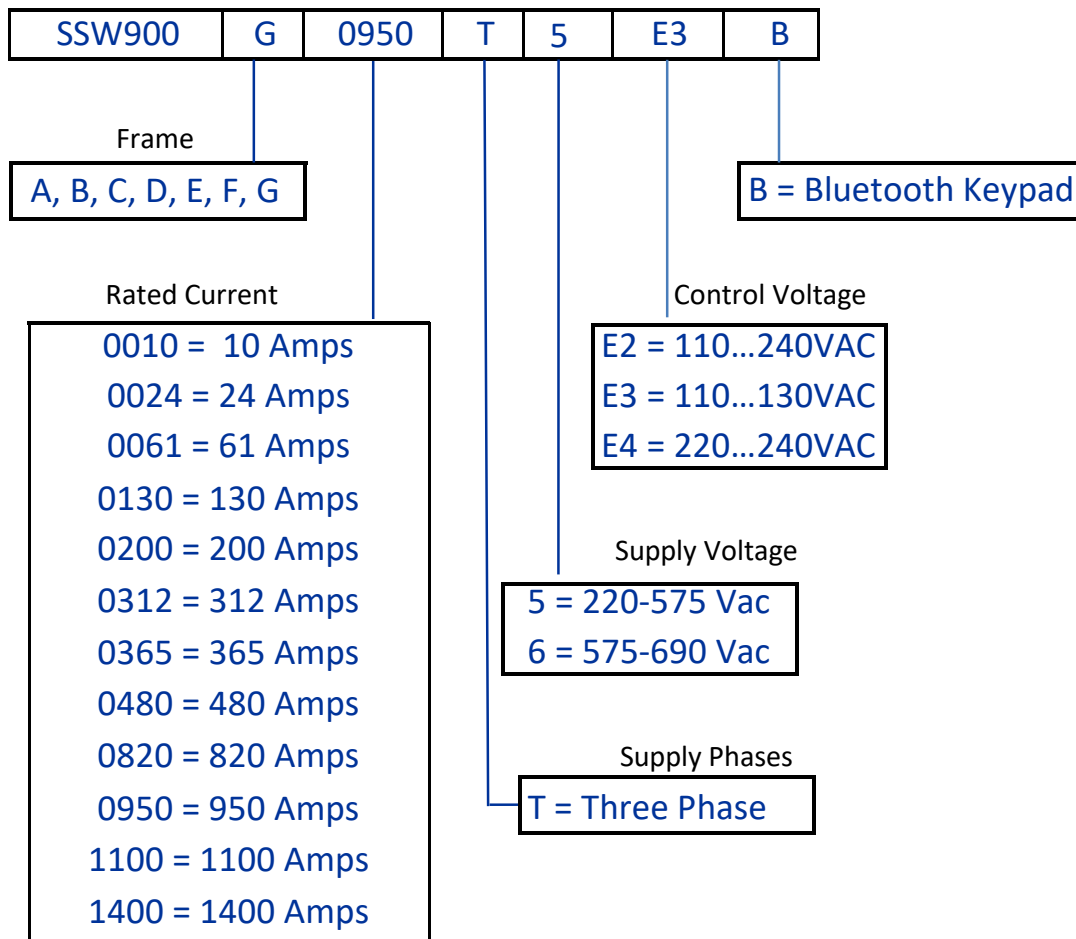
- Universal Power Supply- 10A to 1400A @ 220vac - 575vac (+10% / -15%).
- 1/90-250Vac auxiliary control voltage.
- Built in AC1 bypass contactors for all models.
- Conformal coated circuit board.
- Detachable Text/Graphic Keypad with USB port & with built-in Bluetooth (Bluetooth allows easy programming & monitoring of SSW900 using Cell phone app “WEG WPS”.)
- Real time clock with event log & Copy function.
- Oriented start-up and online help.
- Voltage ramp, Voltage ramp + Current Limit, Current Limit, Pump Control, Torque control, Direct on line (DOL) start modes.
- 2 independent slots to connect plug-in modules.
- Five isolated programmable digital inputs.
- One motor thermistor input.
- Three programmable relay outputs (2 Amp – 240V).
- One programmable analog output (0-10V, 0/4-20 mA).
- Built-in SoftPLC (requires PC with WEG WPS software).
- Diagnostic features: overvoltage & undervoltage, voltage imbalance between phases, phase sequence, Motor overload and underload, overcurrent & undercurrent, current imbalance, Short circuit, SCRs under and over temperature, Time between starts etc.
- Display readings: Three main display screens, each display screen can be configured to display nine variables like motor current, input & output voltage, output power, Power factor, motor torque etc.
- Ambient: 32°F to 131°F (55°C) / 104°F (40°C), frame dependent.
- Optional Communication: RS-485 (Modbus RTU), CANopen, DeviceNet, Profibus DP, Ethernet/IP, Modbus TCP/IP, ProfiNet IO.



### Applications

- Pumps
- Fans/Blowers
- Mixers/Grinders
- Compressors
- Conveyors
- Centrifuges
- Crushers
- Ball & Hammer Mills

### SSW900 Catalog Number Sequence



## SSW900

### Protected Chassis Enclosure

Motor Voltage	Motor HP <sup>1</sup>	Starter Amps <sup>2</sup>	Motor HP <sup>1</sup>	Starter Amps <sup>2</sup>	Catalog Number	Frame Size <sup>3</sup>	Dimensions (in.) HxWxD	Approx. Weight (lbs.)	List Price	Multiplier New (Old)
	Standard Duty		Heavy Duty <sup>4</sup>							
3 Ph, 230 Vac	300%, 30 s, 10 starts/hr @ 55°C		450%, 30 s, 4 starts/hr @ 55°C		Input Power Supply: Three-Phase 200-240 Vac					
	3	10	3	10	SSW900A0010T5E2B	A	7.9" x 5.0" x 8.0"	4.3	\$1,386	E19 (E1)
	5	17	5	14	SSW900A0017T5E2B	A	7.9" x 5.0" x 8.0"	4.3	\$1,429	E19 (E1)
	7.5	24	7.5	20	SSW900A0024T5E2B	A	7.9" x 5.0" x 8.0"	4.3	\$1,572	E19 (E1)
	10	30	10	25	SSW900A0030T5E2B	A	7.9" x 5.0" x 8.0"	4.3	\$1,703	E19 (E1)
	15	45	10	31	SSW900B0045T5E2B <sup>3</sup>	B	8.2" x 5.7" x 10.2"	8.9	\$1,976	E19 (E1)
	25	61	15	43	SSW900B0061T5E2B <sup>3</sup>	B	8.2" x 5.7" x 10.2"	8.9	\$2,181	E19 (E1)
	30	85	20/25	60	SSW900B0085T5E2B <sup>3</sup>	B	8.2" x 5.7" x 10.2"	8.9	\$2,771	E19 (E1)
	40	105	30	75	SSW900B0105T5E2B <sup>3</sup>	B	8.2" x 5.7" x 10.2"	8.9	\$3,160	E19 (E1)
	50	130	40	94	SSW900C0130T5E2B <sup>3</sup>	C	10.9" x 8.8" x 10.3"	14.4	\$3,547	E19 (E1)
	60	171	50	125	SSW900C0171T5E2B <sup>3</sup>	C	10.9" x 8.8" x 10.3"	14.4	\$4,270	E19 (E1)
	75	200	60	150	SSW900C0200T5E2B <sup>3</sup>	C	10.9" x 8.8" x 10.3"	14.4	\$5,354	E19 (E1)
	100	255	75	185	SSW900D0255T5E3B	D	13.0" x 8.9" x 11.1"	28.3	\$7,188	E19 (E1)
	125	312	75	224	SSW900D0312T5E3B	D	13.0" x 8.9" x 11.1"	28.3	\$7,896	E19 (E1)
	150	365	100	263	SSW900D0365T5E3B	D	13.0" x 8.9" x 11.1"	28.3	\$8,721	E19 (E1)
	150	412	125	298	SSW900D0412T5E3B	D	13.0" x 8.9" x 11.1"	28.3	\$9,465	E19 (E1)
	300%, 30 s, 5 starts/hr @ 40°C		450%, 30 s, 4 starts/hr @ 40°C		Input Power Supply: Three-Phase 230 Vac					
	200	480	150	354	SSW900E0480T5E3B	E	22.6" x 15.4" x 10.2"	83.7	\$11,730	E19 (E1)
	250	604	150	409	SSW900E0604T5E3B	E	22.6" x 15.4" x 10.2"	83.7	\$13,082	E19 (E1)
	250	670	175	454	SSW900E0670T5E3B	E	22.6" x 15.4" x 10.2"	83.7	\$14,878	E19 (E1)
350	820	200	553	SSW900F0820T5E3B	F	29.9" x 18.3" x 12.4"	166.2	\$17,573	E19 (E1)	
400	950	250	643	SSW900F0950T5E3B	F	29.9" x 18.3" x 12.4"	166.2	\$26,592	E19 (E1)	
450	1100	300	745	SSW900G1100T5E3B	G	36.0" x 21.2" x 12.4"	236.3	\$33,351	E19 (E1)	
550	1400	400	953	SSW900G1400T5E3B	G	36.0" x 21.2" x 12.4"	236.3	\$42,863	E19 (E1)	

**NOTES:**

- 1) HP rating based on FLA values from WEG W22, 2 and 4 pole, NEMA Premium motors.
- 2) Motor FLA may vary with speed and manufacturer. ALWAYS compare motor FLA to Nominal AMPS of starter.
- 3) Must be used with Ventilation kit.
- 4) Crusher, loaded Conveyor, Shredder, wood chipper, centrifuge, High inertia centrifugal fan, ball mill, hammer mill etc. are application examples where Heavy duty rated soft starter shall be used.

### Protected Chassis Enclosure

Motor Voltage	Motor HP <sup>1</sup>	Starter Amps <sup>2</sup>	Motor HP <sup>1</sup>	Starter Amps <sup>2</sup>	Catalog Number	Frame Size <sup>3</sup>	Dimensions (in.) HxWxD	Approx. Weight (lbs.)	List Price	Multiplier New (Old)
	Standard Duty		Heavy Duty <sup>4</sup>							
3 Ph, 460 Vac	300%, 30 s, 10 starts/hr @ 55°C		450%, 30 s, 4 starts/hr @ 55°C		Input Power Supply: Three-Phase 460 Vac					
	5	10	5	10	SSW900A0010T5E2B	A	7.9" x 5.0" x 8.0"	4.3	\$1,386	E19 (E1)
	10	17	10	14	SSW900A0017T5E2B	A	7.9" x 5.0" x 8.0"	4.3	\$1,429	E19 (E1)
	15	24	15	20	SSW900A0024T5E2B	A	7.9" x 5.0" x 8.0"	4.3	\$1,572	E19 (E1)
	20	30	20	25	SSW900A0030T5E2B	A	7.9" x 5.0" x 8.0"	4.3	\$1,703	E19 (E1)
	30	45	25	31	SSW900B0045T5E2B <sup>3</sup>	B	8.2" x 5.7" x 10.2"	8.9	\$1,976	E19 (E1)
	40/50	61	30	43	SSW900B0061T5E2B <sup>3</sup>	B	8.2" x 5.7" x 10.2"	8.9	\$2,181	E19 (E1)
	60/75	85	40/50	60	SSW900B0085T5E2B <sup>3</sup>	B	8.2" x 5.7" x 10.2"	8.9	\$2,771	E19 (E1)
	75	105	60	75	SSW900B0105T5E2B <sup>3</sup>	B	8.2" x 5.7" x 10.2"	8.9	\$3,160	E19 (E1)
	100	130	75	94	SSW900C0130T5E2B <sup>3</sup>	C	10.9" x 8.8" x 10.3"	14.4	\$3,547	E19 (E1)
	125	171	100	125	SSW900C0171T5E2B <sup>3</sup>	C	10.9" x 8.8" x 10.3"	14.4	\$4,270	E19 (E1)
	150	200	125	150	SSW900C0200T5E2B <sup>3</sup>	C	10.9" x 8.8" x 10.3"	14.4	\$5,354	E19 (E1)
	200	255	150	185	SSW900D0255T5E3B	D	13.0" x 8.9" x 11.1"	28.3	\$7,188	E19 (E1)
	250	312	175	224	SSW900D0312T5E3B	D	13.0" x 8.9" x 11.1"	28.3	\$7,896	E19 (E1)
	300	365	200	263	SSW900D0365T5E3B	D	13.0" x 8.9" x 11.1"	28.3	\$8,721	E19 (E1)
	350	412	250	298	SSW900D0412T5E3B	D	13.0" x 8.9" x 11.1"	28.3	\$9,465	E19 (E1)
	300%, 30 s, 5 starts/hr @ 40°C		450%, 30 s, 4 starts/hr @ 40°C		Input Power Supply: Three-Phase 460 Vac					
	400	480	300	354	SSW900E0480T5E3B	E	22.6" x 15.4" x 10.2"	83.7	\$11,730	E19 (E1)
	500	604	350	409	SSW900E0604T5E3B	E	22.6" x 15.4" x 10.2"	83.7	\$13,082	E19 (E1)
	600	670	400	454	SSW900E0670T5E3B	E	22.6" x 15.4" x 10.2"	83.7	\$14,878	E19 (E1)
700	820	450	553	SSW900F0820T5E3B	F	29.9" x 18.3" x 12.4"	166.2	\$17,573	E19 (E1)	
800	950	500	643	SSW900F0950T5E3B	F	29.9" x 18.3" x 12.4"	166.2	\$26,592	E19 (E1)	
900	1100	650	745	SSW900G1100T5E3B	G	36.0" x 21.2" x 12.4"	236.3	\$33,351	E19 (E1)	
1200	1400	850	953	SSW900G1400T5E3B	G	36.0" x 21.2" x 12.4"	236.3	\$42,863	E19 (E1)	

**NOTES:**

- 1) HP rating based on FLA values from WEG W22, 2 and 4 pole, NEMA Premium motors.
- 2) Motor FLA may vary with speed and manufacturer. ALWAYS compare motor FLA to Nominal AMPS of starter.
- 3) Must be used with Ventilation kit.
- 4) Crusher, loaded Conveyor, Shredder, wood chipper, centrifuge, High inertia centrifugal fan, ball mill, hammer mill etc. are application examples where Heavy duty rated soft starter shall be used.

## SSW900

### Protected Chassis Enclosure

Motor Voltage	Motor HP <sup>1</sup>	Starter Amps <sup>2</sup>	Motor HP <sup>1</sup>	Starter Amps <sup>2</sup>	Catalog Number	Frame Size <sup>3</sup>	Dimensions (in.) HxWxD	Approx. Weight (lbs.)	List Price	Multiplier New (Old)	
	Standard Duty		Heavy Duty <sup>4</sup>								
3 Ph, 575 Vac	300%, 30 s, 10 starts/hr @ 55°C		450%, 30 s, 4 starts/hr @ 55°C		Input Power Supply: Three-Phase 575 Vac						
	7.5	10	7.5	10	SSW900A0010T5E2B	A	7.9" x 5.0" x 8.0"	4.3	\$1,386	E19 (E1)	
	15	17	10	14	SSW900A0017T5E2B	A	7.9" x 5.0" x 8.0"	4.3	\$1,429	E19 (E1)	
	20	24	20	20	SSW900A0024T5E2B	A	7.9" x 5.0" x 8.0"	4.3	\$1,572	E19 (E1)	
	30	30	25	25	SSW900A0030T5E2B	A	7.9" x 5.0" x 8.0"	4.3	\$1,703	E19 (E1)	
	40	45	30	31	SSW900B0045T5E2B <sup>3</sup>	B	8.2" x 5.7" x 10.2"	8.9	\$1,976	E19 (E1)	
	60	61	40	43	SSW900B0061T5E2B <sup>3</sup>	B	8.2" x 5.7" x 10.2"	8.9	\$2,181	E19 (E1)	
	75	85	50/60	60	SSW900B0085T5E2B <sup>3</sup>	B	8.2" x 5.7" x 10.2"	8.9	\$2,771	E19 (E1)	
	100	105	75	75	SSW900B0105T5E2B <sup>3</sup>	B	8.2" x 5.7" x 10.2"	8.9	\$3,160	E19 (E1)	
	125	130	100	94	SSW900C0130T5E2B <sup>3</sup>	C	10.9" x 8.8" x 10.3"	14.4	\$3,547	E19 (E1)	
	150	171	125	125	SSW900C0171T5E2B <sup>3</sup>	C	10.9" x 8.8" x 10.3"	14.4	\$4,270	E19 (E1)	
	200	200	150	150	SSW900C0200T5E2B <sup>3</sup>	C	10.9" x 8.8" x 10.3"	14.4	\$5,354	E19 (E1)	
	250	255	200	185	SSW900D0255T5E3B	D	13.0" x 8.9" x 11.1"	28.3	\$7,188	E19 (E1)	
	300	312	250	230	SSW900D0312T5E3B	D	13.0" x 8.9" x 11.1"	28.3	\$7,896	E19 (E1)	
	350	365	250	263	SSW900D0365T5E3B	D	13.0" x 8.9" x 11.1"	28.3	\$8,721	E19 (E1)	
	400	412	300	298	SSW900D0412T5E3B	D	13.0" x 8.9" x 11.1"	28.3	\$9,465	E19 (E1)	
	3 Ph, 690 Vac <sup>5</sup>	300%, 30 s, 5 starts/hr @ 40°C		450%, 30 s, 4 starts/hr @ 40°C		Input Power Supply: Three-Phase 575 Vac					
		500	480	350	354	SSW900E0480T5E3B	E	22.6" x 15.4" x 10.2"	83.7	\$11,730	E19 (E1)
		650	604	400	409	SSW900E0604T5E3B	E	22.6" x 15.4" x 10.2"	83.7	\$13,082	E19 (E1)
		750	670	500	454	SSW900E0670T5E3B	E	22.6" x 15.4" x 10.2"	83.7	\$14,878	E19 (E1)
850		820	600	553	SSW900F0820T5E3B	F	29.9" x 18.3" x 12.4"	166.2	\$17,573	E19 (E1)	
1050		950	700	643	SSW900F0950T5E3B	F	29.9" x 18.3" x 12.4"	166.2	\$26,592	E19 (E1)	
1200		1100	800	745	SSW900G1100T5E3B	G	36.0" x 21.2" x 12.4"	236.3	\$33,351	E19 (E1)	
1500		1400	1050	953	SSW900G1400T5E3B	G	36.0" x 21.2" x 12.4"	236.3	\$42,863	E19 (E1)	
3 Ph, 690 Vac <sup>5</sup>		300%, 30 s, 10 starts/hr @ 55°C		450%, 30 s, 4 starts/hr @ 55°C		Input Power Supply: Three-Phase 690 Vac					
		150	130	100	94	SSW900C0130T6E2B <sup>3</sup>	C	10.9" x 8.8" x 10.3"	14.4	\$4,529	E19 (E1)
	200	171	150	125	SSW900C0171T6E2B <sup>3</sup>	C	10.9" x 8.8" x 10.3"	14.4	\$5,705	E19 (E1)	
	250	200	200	150	SSW900C0200T6E2B <sup>3</sup>	C	10.9" x 8.8" x 10.3"	14.4	\$7,172	E19 (E1)	
	300	255	250	185	SSW900D0255T6E3B	D	13.0" x 8.9" x 11.1"	28.3	\$8,242	E19 (E1)	
	400	312	300	230	SSW900D0312T6E3B	D	13.0" x 8.9" x 11.1"	28.3	\$8,948	E19 (E1)	
	450	365	350	263	SSW900D0365T6E3B	D	13.0" x 8.9" x 11.1"	28.3	\$9,299	E19 (E1)	
	550	412	400	298	SSW900D0412T6E3B	D	13.0" x 8.9" x 11.1"	28.3	\$11,181	E19 (E1)	
	3 Ph, 690 Vac <sup>5</sup>	300%, 30 s, 5 starts/hr @ 40°C		450%, 30 s, 4 starts/hr @ 40°C		Input Power Supply: Three-Phase 690 Vac					
		600	480	450	354	SSW900E0480T6E3B	E	22.6" x 15.4" x 10.2"	83.7	\$13,841	E19 (E1)
		750	604	550	409	SSW900E0604T6E3B	E	22.6" x 15.4" x 10.2"	83.7	\$15,439	E19 (E1)
		850	670	600	454	SSW900E0670T6E3B	E	22.6" x 15.4" x 10.2"	83.7	\$14,932	E19 (E1)
		1000	820	650	553	SSW900F0820T6E3B	F	29.9" x 18.3" x 12.4"	166.2	\$17,646	E19 (E1)
		1200	950	750	643	SSW900F0950T6E3B	F	29.9" x 18.3" x 12.4"	166.2	\$28,794	E19 (E1)
		1400	1100	900	745	SSW900G1100T6E3B	G	36.0" x 21.2" x 12.4"	236.3	\$34,673	E19 (E1)
1700		1400	1200	953	SSW900G1400T6E3B	G	36.0" x 21.2" x 12.4"	236.3	\$44,509	E19 (E1)	

**NOTES:**

- 1) HP rating based on FLA values from WEG W22, 2 and 4 pole, NEMA Premium motors.
- 2) Motor FLA may vary with speed and manufacturer. ALWAYS compare motor FLA to Nominal AMPS of starter.
- 3) Must be used with Ventilation kit.
- 4) Crusher, loaded Conveyor, Shredder, wood chipper, centrifuge, High inertia centrifugal fan, ball mill, hammer mill etc. are application examples where Heavy duty rated soft starter shall be used.
- 5) The 690VAC Soft starters are not UL Listed and are non-stocked items. Please consult WEG for availability.



### Options and Accessories

Type	Catalog Number	Description	List Price	Multiplier New (Old)
Keypad	<b>SSW900-HMI-BLT</b>	Standard Bluetooth Keypad	<b>\$345</b>	E19 (E1)
	<b>SSW900-KMD-CB01</b>	Remote Keypad Frame + 1m (3.3ft) Cable	<b>\$65</b>	E19 (E1)
	<b>SSW900-KMD-CB02</b>	Remote Keypad Frame + 2m (6.6ft) Cable	<b>\$75</b>	E19 (E1)
	<b>SSW900-KMD-CB03</b>	Remote Keypad Frame + 3m (10ft) Cable	<b>\$85</b>	E19 (E1)
	<b>SSW900-KMD-CB05</b>	Remote Keypad Frame + 5m (16ft) Cable	<b>\$115</b>	E19 (E1)
	<b>SSW900-KMD-CB07</b>	Remote Keypad Frame + 7.5m (26ft) Cable	<b>\$155</b>	E19 (E1)
	<b>SSW900-KMD-CB10</b>	Remote Keypad Frame + 10m (33ft) Cable	<b>\$195</b>	E19 (E1)
Communication	<b>SSW900-CDN-N</b>	Devicenet Anybus plug-in module	<b>\$1,280</b>	E19 (E1)
	<b>SSW900-CETH-IP-N</b>	Dual Port Ethernet/IP Anybus plug-in module	<b>\$2,215</b>	E19 (E1)
	<b>SSW900-CMB-TCP-N</b>	Dual Port Modbus-TCP Anybus plug-in module	<b>\$1,800</b>	E19 (E1)
	<b>SSW900-CPDP-N</b>	Profibus DP Anybus plug-in module	<b>\$1,175</b>	E19 (E1)
	<b>SSW900-CPN-IO-N</b>	Dual Port Profinet IO Anybus plug-in module	<b>\$2,075</b>	E19 (E1)
	<b>SSW900-CRS485-W</b>	RS485 plug-in module	<b>\$170</b>	E19 (E1)
	<b>SSW900-CAN-W</b>	CANopen and DeviceNet plug-in module	<b>\$330</b>	E19 (E1)
I/O Expansion	<b>SSW900-CETH-W</b>	Dual Port Ethernet/IP or Modbus TCP	<b>\$682</b>	E19 (E1)
	<b>SSW900-PT100-W</b>	PT100 temperature transducer module (6 inputs)	<b>\$430</b>	E19 (E1)
Ventilation Kits	<b>SSW0708900-KVT-2B</b>	Ventilation Kit for SSW07, Frame-2 and SSW900, Frame-B (45 to 105 A)	<b>\$65</b>	E17 (E1)
	<b>SSW0708900-KVT-3C</b>	Ventilation Kit for SSW07, Frame-3 and SSW900, Frame-C (130 to 200 A)	<b>\$94</b>	E17 (E1)
IP20 Kits	<b>SSW0708900-IP20-3C</b>	IP20 Kit for SSW07, Frame-3 and SSW900, Frame-C (130 to 200 A)	<b>\$62</b>	E17 (E1)
	<b>SSW0708900-IP20-4D</b>	IP20 Kit for SSW07, Frame-4 and SSW900, Frame-D (255 to 412 A)	<b>\$130</b>	E17 (E1)
Front cover kit	<b>SSW0708900-PROT-3C</b>	Front cover kit for power terminals for SSW07, Frame-3 and SSW900, Frame-C (130 to 200 A)	<b>\$55</b>	E17 (E1)
	<b>SSW0708900-PROT-4D</b>	Front cover kit for power terminals for SSW07, Frame-4 and SSW900, Frame D (255 to 412 A)	<b>\$65</b>	E17 (E1)
	<b>SSW900-PROT-E</b>	Front cover kit for power terminals for SSW900 frame E (480 to 670 A)	<b>\$130</b>	E19 (E1)
External Current Transformers	<b>SSW900-KECA-10</b>	External Current Transformer for SSW900 10A	<b>\$415</b>	E19 (E1)
	<b>SSW900-KECA-17</b>	External Current Transformer for SSW900 17A	<b>\$435</b>	E19 (E1)
	<b>SSW900-KECA-24</b>	External Current Transformer for SSW900 24A	<b>\$455</b>	E19 (E1)
	<b>SSW900-KECA-30</b>	External Current Transformer for SSW900 30A	<b>\$470</b>	E19 (E1)
	<b>SSW900-KECA-45</b>	External Current Transformer for SSW900 45A	<b>\$510</b>	E19 (E1)
	<b>SSW900-KECA-61</b>	External Current Transformer for SSW900 61A	<b>\$540</b>	E19 (E1)
	<b>SSW900-KECA-85</b>	External Current Transformer for SSW900 85A	<b>\$565</b>	E19 (E1)
	<b>SSW900-KECA-105</b>	External Current Transformer for SSW900 105A	<b>\$580</b>	E19 (E1)
	<b>SSW900-KECA-130</b>	External Current Transformer for SSW900 130A	<b>\$620</b>	E19 (E1)
	<b>SSW900-KECA-171</b>	External Current Transformer for SSW900 171A	<b>\$650</b>	E19 (E1)
	<b>SSW900-KECA-200</b>	External Current Transformer for SSW900 200A	<b>\$680</b>	E19 (E1)
	<b>SSW900-KECA-255</b>	External Current Transformer for SSW900 255A	<b>\$845</b>	E19 (E1)
	<b>SSW900-KECA-312</b>	External Current Transformer for SSW900 312A	<b>\$885</b>	E19 (E1)
	<b>SSW900-KECA-365</b>	External Current Transformer for SSW900 365A	<b>\$915</b>	E19 (E1)
<b>SSW900-KECA-412</b>	External Current Transformer for SSW900 412A	<b>\$930</b>	E19 (E1)	

## SSW900

### Options and Accessories

Type	Catalog Number	Description	List Price	Multiplier New (Old)
BusBar extension Kits	<b>SSW900-6BAR-E</b>	Kit with Six busbars for Frame-E for external bypass connection using only compression lugs (e.g. LCAX450-12-6, lug not included in the kit)	<b>\$350</b>	E19 (E1)
	<b>SSW900-3BAR-E-L</b>	Kit with three straight busbars for Frame-E for mechanical Lug "PB2-600". If all top or all bottom cable connections are needed using "PB2-600" lugs, use two (2) kits. (Lugs are not included in the kit).	<b>\$175</b>	E19 (E1)
	<b>SSW900-6BAR-F</b>	Kit with Six busbars for Frame-F for external bypass connection using only compression lugs (e.g. LCAX650-58-6 OR LCAX750-12-3, lugs not included in the kit)	<b>\$435</b>	E19 (E1)
	<b>SSW900-3BAR-F-L</b>	Kit with three straight busbars for Frame-F to connect three or four cables per phase using Compression lugs (e.g. 3 x LCAN400-12-6 OR 4 x LCAX250-58-X, Lugs are not included in the kit)	<b>\$340</b>	E19 (E1)
	<b>SSW900-3BAR-F-L45S</b>	Kit with three 45° angled (going downwards) busbars for Frame-F for all top or all bottom cable connections.	<b>\$395</b>	E19 (E1)
	<b>SSW900-3BAR-F-L45L</b>	Kit with three 45° angled (going upwards) busbars for Frame-F for all top or all bottom cable connections.	<b>\$445</b>	E19 (E1)
	<b>SSW900-3BAR-G</b>	Kit with three 45° angled (going downwards) busbars for Frame-G for all top or all bottom cable connections. Two (2) kits are needed if external bypass contactor is used.	<b>\$515</b>	E19 (E1)
	SSW900 Adapter Plates	<b>ADP-1-A</b>	SSW06, Frame-1 to SSW900, Frame-A Adapter Plate	<b>\$115</b>
<b>ADP-2-B</b>		SSW06, Frame-2 to SSW900, Frame-B Adapter Plate	<b>\$135</b>	E19 (E1)
<b>ADP-23-C</b>		SSW06, Frame-2 & 3 to SSW900, Frame-C Adapter Plate	<b>\$180</b>	E19 (E1)
<b>ADP-4-D</b>		SSW06, Frame-4 to SSW900, Frame-D Adapter Plate	<b>\$255</b>	E19 (E1)
<b>ADP-5-DE</b>		SSW06, Frame-5 to SSW900, Frame-D & E Adapter Plate	<b>\$325</b>	E19 (E1)
<b>ADP-6-EF</b>		SSW06, Frame-6 to SSW900, Frame-E & F Adapter Plate	<b>\$420</b>	E19 (E1)
<b>ADP-7-F</b>		SSW06, Frame-7 to SSW900, Frame-F Adapter Plate	<b>\$430</b>	E19 (E1)
<b>ADP-7-FG</b>		SW06, Frame-7 to SSW900, Frame-F & G Adapter Plate	<b>\$435</b>	E19 (E1)
	<b>ADP-8-G</b>	SSW06, Frame-8 to SSW900, Frame-G Adapter Plate	<b>\$445</b>	E19 (E1)

### SSW900 Adapter Plate Table

SSW06		Adapter Plate Catalog #	SSW900	
Frame Size	Current Rating		Frame Size	Current Rating
1	10	ADP-1-A	A	10
	16			17
	23			24
	30			30
2	45	ADP-2-B	B	45
	60			61
	85			85
	-			105
	130			130
3	170	ADP-23-C	C	171
	205			200
4	255	ADP-4-D	D	255
	312			312
	365			365
5	412	ADP-5-DE	E	412
	480			480
	604			604
6	670	ADP-6-EF	F	670
	820			820
7	950	ADP-7-F	F and G	950
		ADP-7-FG		820 to 1400
8	1100	ADP-8-G	G	1100
	1400			1400

### Adapter Plate Catalog # ADP-1-A

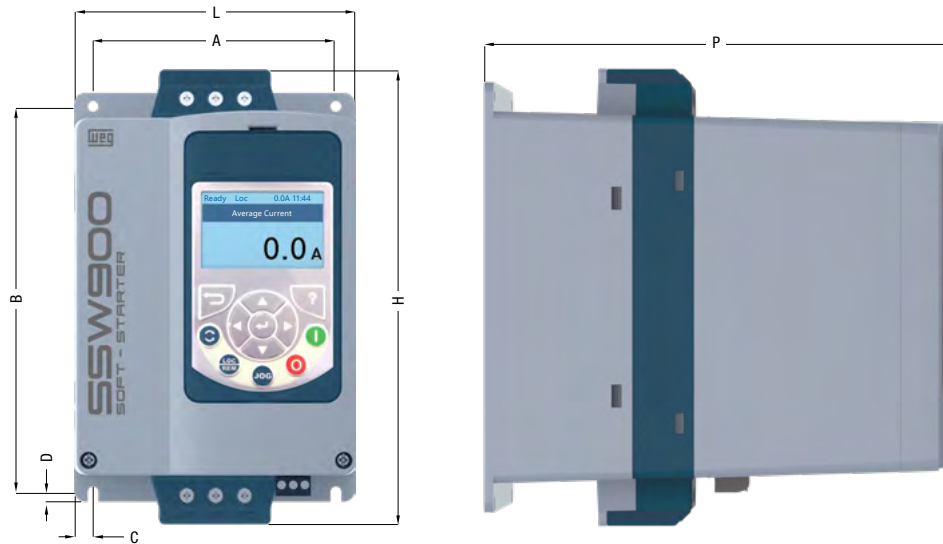


## SSW900

### Dimensions

Frame Size IP00	Height 'H' in. (mm)	Width 'L' in. (mm)	Depth 'P' in. (mm)	'A' in. (mm)	'B' in. (mm)	'C' in. (mm)	'D' in. (mm)	Mounting Screw	Weight Lbs. (kg)
<b>A *</b>	7.87 (200)	5.00 (127)	7.99 (203)	7.33 (110)	6.89 (175)	0.33 (8.5)	0.17 (4.3)	M4	4.25 (1.93)
<b>B *</b>	8.19 (208)	5.67 (144)	10.24 (260)	5.20 (132)	5.83 (148)	0.24 (6)	0.13 (3.4)	M4	8.86 (4.02)
<b>C</b>	10.87 (276)	8.78 (223)	10.28 (261)	8.19 (208)	8.27 (210)	0.30 (7.5)	0.20 (5.0)	M5	14.44 (6.55)
<b>D</b>	13.03 (331)	8.94 (227)	11.10 (282)	7.87 (200)	11.02 (280)	0.59 (15)	0.35 (9)	M8	28.29(12.83)
<b>E</b>	22.64 (575)	15.35 (390)	10.24 (260)	10.63 (270)	18.90 (480)	2.20 (56)	0.39 (10)	M8	83.78(38.00)
<b>F</b>	29.92 (760)	18.27 (464)	12.44 (316)	12.60 (320)	24.61 (625)	2.83 (72)	0.39 (10)	M8	166.23(75.40)
<b>G</b>	35.98 (914)	21.22 (539)	12.44 (316)	14.53 (369)	28.82 (732)	3.35 (85)	0.47 (12)	M10	236.34(107.20)

\* Frame A & B are IP20 protection rating.



### Technical Data

	Mian Volate	Three-phase 220 - 575VAC (-15%, +10%) (Or 3-Ph, 187 to 632VAC)			
<b>Power Supply</b>	Control Voltage	Frame-A to C: Single Phase 110 - 240VAC (-15%, +10%) (Or 1-Ph, 93.5 to 264VAC) Frame-D to G: Single Phase 110 - 130VAC (-15%, +10%) (Or 1-Ph, 93.5 to 143VAC)			
	Frequency	50 to 60Hz (+/- 10%) (Or 45 to 66 Hz)			
	Degree of Protection	Frame-A, B: IP20 Frame-C to G: IP00			
<b>Enclosure</b>					
<b>Control</b>	Method	Voltage Ramp, Voltage Ramp + Current Limit, Current Limit, Current Ramp Pump Control, Torque Control, D.O.L.			
<b>Starting Duty Cycle</b>		Frame-A, B with ventilation kit, C with ventilation kit, D: 300% (3 x Rated) for 30 Sseconds, 10 Starts per hr. Frame-B w/o ventilation kit & C w/o ventilation kit: 300% (3 x Rated) for 30 Sseconds, 3 Starts per hr. Frame-E, F & G: 300% (3 x Rated) for 30 Sseconds, 5 Starts per hr.			
<b>Control Inputs</b>	Digital	5 x 24 VDC Programmable isolated inputs 1 x Motor PTC Thermistor			
<b>Control Outputs</b>	Relay	2 programmable outputs, 240 VAC (30 VDC) / 2A Form A Contact (NO) 1 programmable output, 240 VAC (30 VDC) / 2A Form C Contact (NO+NC)			
	Analog	1 programmable 0 to 10V or 0/4 to 20 mA output			
<b>Safety</b>	Protections	Motor Voltage Imbalance	Start Overtime		
		Motor Supply Undervoltage / Overvoltage	Time Between Starts		
		Power Short Circuit: Motor Off / Motor On	Locked Rotor		
		Motor Start Phase Loss	Motor Undercurrent/Overcurrent		
		Motor Overload Thermal Class	Phase Reversal		
		Wrong Connection to the Motor	Control Supply Incorrect Voltage		
		Motor Overtemperature (via thermistor Input)	Undervoltage Control Circuit		
		Motor Undertorque/Overtorque	Bypass Contact Open - Not Closed		
		Motor Underpower/Overpower	Bypass Contact Closed - Not Opened		
		Serial Communication Fault	Overcurrent Before Bypass		
		CPU Error (Watchdog)	Bypass Undercurrent		
		Serial Communication Timeout	Motor Current Imbalance		
		SCRs Undertemperature / Overtemperature	Frequency Out of Range		
		R-U/S-V/T-W SCRs Fault	HMI Communication Timeout		
		SCRs Overload	Self-diagnostic Fault		
<b>Functions / Features</b>	Standard	Built-in detachable LCD Graphic Keypad with Bluetooth, USB port, Real Time clock and Help menu Keypad with three display screens, each display screen can show upto nine variables. Programming enabling password LCD display Language selection: English, Spanish, German and Portuguese Local / Remote operation selection PUMP CONTROL function (Water hammer protection for pumps) COPY function (Soft-Starter to Keypad or Keypad to Soft-Starter) Soft starter integral bypass contactor for all models FWD / REV Feature via Digital Input (Needs two External Contactors (FWD/REV) Motor PTC thermistor input Built in SoftPLC. Programmable line voltage		220 ... 575 VAC	
		Programmable initial (pedestal) voltage	25 ... 90% of Rated Input Voltage		
		Programmable acceleration ramp	1 ... 999 seconds		
		Programmable deceleration ramp	0 ... 999 seconds		
		Programmable step down voltage for deceleration	100 ... 60 % of line voltage		
		Programmable starting current limit	OFF, 150 ... 500 % of motor rated current		
		Programmable motor Overcurrent/UnderCurrent	0 ... 99 % above motor rated current		
		Programmable motor Overcurrent/Undercurrent time	OFF, 1 ... 99 seconds		
		Programmable motor Undertorque (loss of load) / Over torque (overload or locked Rotor)	0 ... 99 % of motor rated current		
		Programmable motor Undertorque (loss of load) / Over torque (overload or locked Rotor) time	OFF, 1 ... 99 seconds		
		Programmable starting torque boost, voltage or current (KICKSTART)	Level: 70 ...90% of line voltage Level: 300 ... 700% of soft starter rated current Duration: 0.1 ...2 seconds		
		Programmable fault auto-reset	OFF, 3 ... 600 seconds		
		Motor thermal overload protection class	0 (Automatic); 10; 15; 20; 25; 30; 35; 40; 45		
		Motor Service Factor	0 (disabled); 0.01 ... 1.50		
		<b>Ambient</b>	Temperature	14 - 122°F (50°C), up to 140°F (60°C) with 2% / 1.8°F (1°C) output current derating	
			Humidity	5-90% Non Condensing	
			Altitude	0-3300 ft (1000m), up to 13,200 ft (4000m) with 1% output current derating per 330ft (100m) above 3300 ft (1000m).	
		<b>Regulatory Conformance</b>	IEC 60146	Semiconductor converters	
			UL 508 C	Power Conversion Equipment	
			UL 840	Insulation coordination including clearances and creepage distances for electrical equipment.	
			EN 50178	Electronic equipment for use in power installations	
			EN 61800-2	General requirements adjustable speed electrical power drive systems	
			EN 61800-3	EMC product standard including specific test methods adjustable speed electrical power drive systems	
			EN 61800-5-1	Safety requirements adjustable speed electrical power drive systems	
		<b>Approvals</b>	RoHS and WEEE Guidelines		
UL, cUL, CE, C-Tick, GOST, IRAM					
<b>Special Functions</b>	Linear and "S" ramp accel and decel, local/remote control, FWD/REV selection, DC braking, manual and auto torque boost, motor slip compensation, electronic pot, two skip frequencies, maximum and minimum adjustable frequency limits, adjustable output current				
<b>Keypad</b>	4 digit display, 2 indicator LEDs and 8 keys				
	Readouts for: output frequency (Hz), output current (A), output voltage (V), motor torque (%) in vector mode, DC bus voltage (V), value proportional to frequency (Ex.: RPM), heatsink temperature, fault and status messages				

## SSW900

### Technical Data

<b>Keypad</b>	Programming / Commands	Start/Stop, Reset, Jog, FWD/REV, ESC, Help, Navigaiton keys & Enter
		Bluetooth, USB Port, Real Time clock
	Display Readings	Soft-Starter Output current (% of soft starter rated current)
		Motor current (Amps): R Phase, S Phase, T Phase, Average
		Motor current % of motor rated current
		Line frequency (0 ... 99 Hz)
		Line Voltage (0 ... 999VAC)
		Soft starter output voltage (0 - 999VAC)
		Motor active power (kW)
		Motor apparent power (kVA)
		Soft starter status
		Digital and analog I/Os status
		Motor power factor (0.00 - 0.99)
		Time Powered
		Time Enabled
Four last faults back-up		
Soft starter firmware version		
Motor thermal protection (0 - 250)		
Motor current indication in each phase R-S-T		
Line voltage indication R-S / S-T / T-R		
<b>Ambient</b>	Temperature	0...131°F (0...55°C): For SSW900 frame-A to D without derating. 0...104°F (0...40°C): For SSW900 frame-E to G, above 104°F (40°C) with derating.
	Humidity	5-90% Non Condensing
	Altitude	0-3300 ft (1000m), up to 13,200 ft (4000m). With 1% output current derating per 330ft (100m) above 3300 ft (1000m). With 1.1% voltage derating per 330ft (100m) above 6600 ft (2000m).
<b>Safety Standards</b>	UL 508	Industrial Control Equipment
	EN60947-4-2, LVD 2014/35/EU	Low-voltage Directive
<b>Electromagnetic compatibility standards</b>	CISPR 11	Industrial, scientific and medical (ISM) radio-frequency equipment - electromagnetic disturbance characteristics - limits and methods of measurement
	EN 61000-4-2	Electromagnetic compatibility (EMC) - part 4: testing and measurement techniques - section 2: Electrostatic discharge immunity test
	EN 61000-4-3	Electromagnetic compatibility (EMC) - part 4: testing and measurement techniques - section 3: radiated, radio-frequency, electromagnetic field immunity test
	EN 61000-4-4	Electromagnetic compatibility (EMC) - part 4: testing and measurement techniques - section 4: electrical fast transient/ burst immunity test
	EN 61000-4-5	Electromagnetic compatibility (EMC) - part 4: testing and measurement techniques - section 5: surge immunity test
	EN 61000-4-6	Electromagnetic compatibility (EMC) - part 4: testing and measurement techniques - section 6: immunity to conducted disturbances, induced by radio-frequency fields
	EN 61000-4-11	Electromagnetic compatibility (EMC) - part 4: testing and measurement techniques - section 11: voltage dips, short interruptions and voltage variations immunity tests
	EN 60204-1	"Safety of machinery. Electrical equipment of machines. Part 1: General requirements."
	Part 15 of FCC	FCC ID: S9NSPBTLERF
<b>Mechanical construction standards</b>	EN 60529	degrees of protection provided by enclosures (IP code).
	UL 50	enclosures for electrical equipment.
	IEC 60721-3-3	classification of environmental conditions.
<b>Approvals</b>	UL, cUL, CE, C-Tick, EAC, IRAM, ABS	



## NOTES:

A series of horizontal lines providing a space for notes, spanning the width of the page below the 'NOTES:' header.

- INDEX
- WARRANTY INFO
- CFW100
- CFW300
- CFW320
- CFW500 G2
- CFW11
- CFW900
- CFW11M
- CFW501
- PUMP GENIUS
- REACTORS
- SSW05
- SSW07
- SSW900
- SSW7000
- EDP11
- GPH2
- APSS9
- MFM

## SSW7000

WEG's SSW7000 medium voltage solid-state soft starter is an industrial general-purpose starter package for starting & protecting MV AC motors.

Designed to be rugged, reliable and safe, the SSW7000 is a simple and cost effective solution for demanding applications.

### Key Features & Advantages:

- 4160V & 2300V models in stock (NEMA 12 & NEMA 3R) up to 3000HP (higher voltages & powers available)
- Suitable for service entrance
- Motor protections active in both DOL & RUN modes eliminating the need for expensive motor protection relays for backup protection
- Pump control utilizes a specific algorithm for centrifugal pumps designed to minimize water hammer and pressure overshoots
- Soft PLC function with license-free software
- Flexible Torque Control (FTC) allows adjusting starting torque limit curve with 3 points (ideal for quadratic loads)
- Motor thermal protection via PT100 monitoring available (up to 8 channels)

### Accessories:

- PT100 monitoring (8x channels)
- Network communication modules
- FLASH memory module



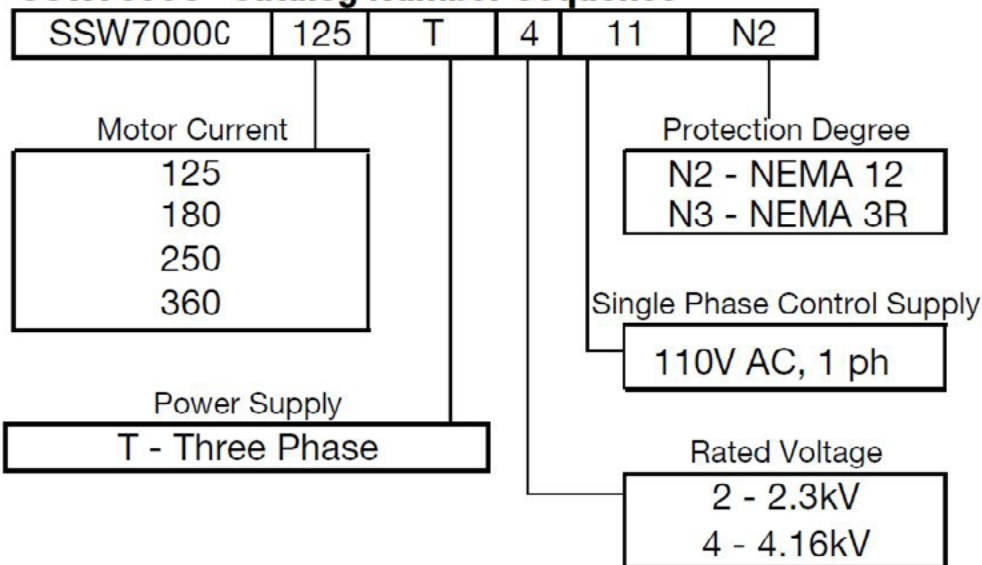
### Features that make a difference:

- Assembled and stocked in the US
- NEMA 12 & NEMA 3R enclosures available
- Emergency DOL start capability (ATL bypass)
- Oriented startup for easy commissioning
- UL 347 listed
- Ground fault monitoring standard



### Product Code

### SSW7000C Catalog Number Sequence



### Rating

Power Supply	Model	Rated Current	Motor Power		List Price	Multiplier
			HP*	kW		
<b>NEMA 12</b>						
2300V, 3PH, 60HZ	SSW7000C125T211N2	125A	550	410	\$55,750	E3
	SSW7000C180T211N2	180A	750	560	\$58,665	
	SSW7000C250T211N2	250A	1100	800	\$65,195	
	SSW7000C360T211N2	360A	1500	1100	\$67,430	
4160V, 3PH, 60HZ	SSW7000C125T411N2	125A	1000	750	\$63,950	
	SSW7000C180T411N2	180A	1500	1100	\$67,195	
	SSW7000C250T411N2	250A	2000	1500	\$75,235	
	SSW7000C360T411N2	360A	3000	2250	\$77,980	
<b>NEMA 3R</b>						
2300V, 3PH, 60HZ	SSW7000C125T211N3	125A	550	410	\$60,820	E3
	SSW7000C180T211N3	180A	750	560	\$63,725	
	SSW7000C250T211N3	250A	1100	800	\$70,255	
	SSW7000C360T211N3	360A	1600-	1190	\$73,020	
4160V, 3PH, 60HZ	SSW7000C125T411N3	125A	1000	750	\$69,015	
	SSW7000C180T411N3	180A	1500	1100	\$72,250	
	SSW7000C250T411N3	250A	2000	1500	\$80,295	
	SSW7000C360T411N3	360A	3000	2250	\$83,550	

Note: (\*) The motor power ratings given above are based on WEG 4-pole motors, 4.16kV, 60-Hz, PF=0.87, Eff=0.97, SF=1.  
 For applications with high overloads or special starting conditions, contact WEG's sales force.  
 Current Rating of SSW7000C must be calculated based on the information on load type, load speed/torque curve and required number of starts per hour.  
 All models are available in 220V, 1Ph control voltage.

# MV Soft Starter



## SSW7000

### Options and Accessories

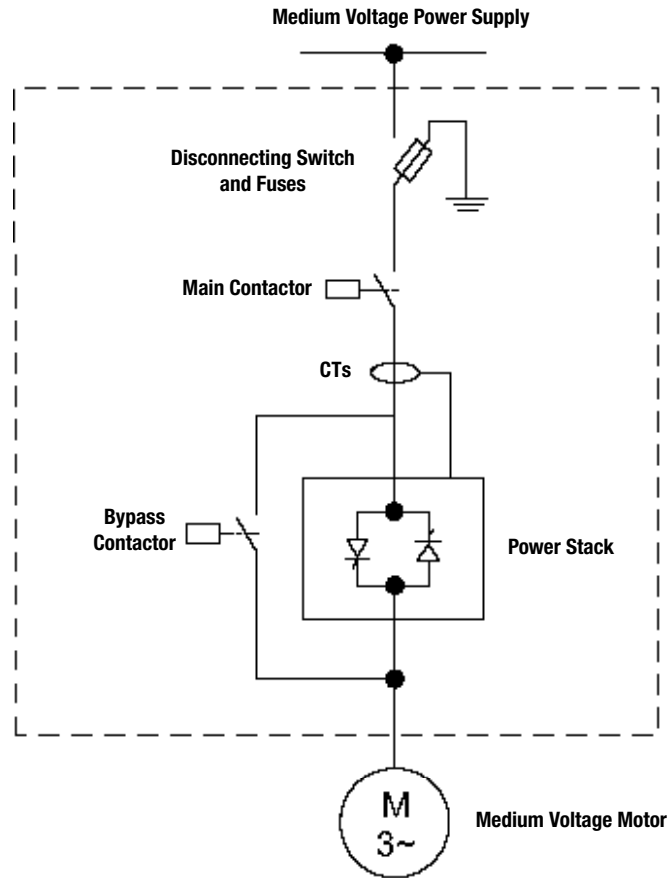
Reference	Description	Slot	List Price	Multiplier
<b>Control accessories to install in Slots 1, 2 and 3</b>				
IOE-04	Module for 8 temperature sensors PT100	1 and 2	\$2795	E3
RS485-01	RS-485 serial communication module (Modbus)	3	\$240	
RS232-01	RS-232C serial communication module (Modbus)		\$180	
RS232-02	RS-232C serial communication module with switch to program the microcontroller FLASH memory		\$180	
<b>Anybus-CA Accessories to install in Slots 4</b>				
PROFDP-05	ProfibusDP interface module	4	\$1100	E3
DEVICENET-05	Devicenet interface module			
ETHERNET/IP-05	EtherNet/IP interface module			
RS232-05	RS-232 interface module (passive) (Modbus)		\$290	
RS485-05	RS485 interface module (passive) (Modbus)		\$360	
<b>Flash Memory Module to install in Slot 5 - Included in Standard Models</b>				
MMF-01	FLASH memory module	5	\$71	V1
<b>Other Accessories</b>				
HMI-01	Man Machine Interface – MMI (sold separately) <sup>(1)</sup>	-	\$320	V1
RHMIF-01	Frame kit for MMI (protection rate IP56)	-	\$69	

### Dimensions

same for NEMA 12 & NEMA 3R



### Line Diagram



### Protections

ANSI/IEEE C37.2	Function/Protection Feature	Standard Option	
		<input checked="" type="checkbox"/>	<input type="checkbox"/>
19	Reduced Voltage Starting and Bypass	<input checked="" type="checkbox"/>	<input type="checkbox"/>
27	Undervoltage protection	<input checked="" type="checkbox"/>	<input type="checkbox"/>
37	Undercurrent protection	<input checked="" type="checkbox"/>	<input type="checkbox"/>
46	Phase-Balance Current protection	<input checked="" type="checkbox"/>	<input type="checkbox"/>
47	Phase Sequence	<input checked="" type="checkbox"/>	<input type="checkbox"/>
48	Incomplete Sequence	<input checked="" type="checkbox"/>	<input type="checkbox"/>
50	Instantaneous Overcurrent trip	<input checked="" type="checkbox"/>	<input type="checkbox"/>
51	Overcurrent trip	<input checked="" type="checkbox"/>	<input type="checkbox"/>
55	Power Factor check	<input checked="" type="checkbox"/>	<input type="checkbox"/>
59	Overvoltage	<input checked="" type="checkbox"/>	<input type="checkbox"/>
81	Frequency check	<input checked="" type="checkbox"/>	<input type="checkbox"/>
86	Lockout Relay - electronic	<input checked="" type="checkbox"/>	<input type="checkbox"/>
50N/51G	Ground fault detection instantaneous and fault-current	<input checked="" type="checkbox"/>	<input type="checkbox"/>
49 & 38	Winding Temperature and Bearing Temperature	<input type="checkbox"/>	<input type="checkbox"/>

## SSW7000

### Standard Features:

- Motor voltage: 2.3kV, 4.16kV
- Power: up to 3000HP
- Protection Degree : NEMA 12, NEMA 3R
- Operating interface (HMI) with graphic LCD
- Real time clock
- Main and bypass vacuum contactors
- Emergency DOL start capability (ATL bypass)
- Medium voltage fuses
- Power and control insulated by fiber optics
- Soft PLC Function
- License Free programming software SuperDrive and WLP
- Motor thermal protection – PT100 (accessory), 8 Channels
- Ground Fault Protection – standard
- 5 start modes
- Network communication boards (accessories): DeviceNet, Profibus-DP, Ethernet and Modbus, RS-232 or RS-485

### Advantages:

- Flexible Torque control
- Overload capacity of 400% for 20 s. (2x / hour duty cycle)
- Management of Demand restrictions by the electric company
- Bumpless starting
- Motor protection
- Mechanical wear reduction
- Handles lower inrush current limitations of power supply

### Special Features:

- Clean Assembly with easy accessibility to all components
- Flexible Torque Control (FTC), by employing torque estimation using vector control principle and measurement of input voltage, output voltage and output current. This provides more accurate torque set-points, compared to estimating torque values only via current measurement.
- Active Protection offers complete motor protection in DOL START and RUN mode. This eliminates need for any expensive motor protection relays for backup protection.
- Ground Fault protection is standard
- Flexible Thermal Class Curve setup & selection that eliminates need for third party expensive protection relays
- Soft PLC function with license-free software
- Nickel plated bus bars and bus-stub connections provide corrosion resistance and ensure proper electrical connection
- Power connection terminals for TOP or BOTTOM motor connection (bottom only for NEMA 3R)
- Operator Interface (keypad, parameter setup) is identical to that of WEG's low voltage starter products
- Successfully tested per International Building Code 2018 (IBC 2018) & California Building Code 2019 (CBC 2019)



### Certifications



### Technical Specifications

Power Supply	Power Voltage (R/1 L1, S/3L2, T/5L3)	Low voltage test: 500Vac: (-60% to +10%) or (200 to 550Vca) Models: 2300Vac: (-60% to +10%) or (920 to 2530Vca) 4160Vac: (-60% to +10%) or (2760 to 4576Vca)
	Frequency	(50 to 60Hz): (±10%) or (45 to 66Hz)
Capacity	Maximum number of starts	5 starts in 2 hours (One start every 30 minutes)
	Start cycle	AC-53a; 4.5-30:50-2
Thyristors	Medium voltage SCR per power arm	2300Vac: 2 thyristors per per power stack 4160Vac: 2 coupled pairs of thyristors
	Reverse voltage peak on the arm	2300Vac: 6.5kV 4160Vac: 13kV
Protections	Protection by Hardware	dv/dt filter Active overvoltage protection on the thyristors
Control Supply	Control voltage	As per code of the SSW7000: 110Vac: (-15% to 10%) or (93.5 to 121Vac) 230Vac: (-15% to 10%) or (195.6 to 253Vac)
	Frequency	(50 to 60Hz): (±10%) or (45 to 66Hz)
	Consumption	Continuous: 900 mA Peak: 9.5 A (during the closing of the vacuum contactors)
Control	Method	Voltage ramp. Current limitation. Pump control. Torque control. Current ramp.
Inputs	Digital	6 insulated digital inputs, 24 Vdc, programmable functions
	Analog	2 differential inputs insulated by differential amplifier; AI1 resolution: 12 bits, AI2 resolution: 11bits + signal, (0 to 10) V, (0 to 20) mA or (4 to 20) mA, Impedance: 400kQ for (0 to 10V), 500Q for (0 to 20 mA) or (4 to 20 mA), programmable functions
Outputs	Digital	3 NO/NC contact relays, 240 Vac, 1A, programmable functions.
	Analog	2 insulated outputs, (0 to 10V) RL ± 10kQ (maximum load), 0 to 20 mA or 4 to 20 mA RL<500Q, 11-bit resolution, programmable functions
Man Machine Interface	Standard	9 keys: Turn/Stop, Increase, Decrease, Rotation Direction, Jog, Local/Remote, right Soft key and left Soft key. Graphic LCD. It enables access to/change of all parameters.
Safety	Main protections	Under and Overcurrent and current unbalance. Under and Overvoltage and voltage unbalance. Under and Overtorque and Active overpower Phase loss. Reverse phase sequence Overtemperature in the power racks. Motor overload. Motor overtemperature (optional). External defect. Ground fault by voltage or current. Fault in the power racks. Fault in the power contactors. Faults in the control boards. Communication faults of MMI and between controls. Faults in the communication networks. Programming errors. For further details and more protections implemented, refer to the programming manual.
Enclosures	Protection Degree	NEMA 12, NEMA 3R
PC connection for programming	USB Connector	USB standard Rev. 2.0 (basic speed). USB plug type B "device". Interconnecting Cable: standard host/device shielded USB cable
Environmental Conditions	Temperature	-10° a 40°C
	Altitude	Up to 1000 m above sea level. For higher altitudes, contact our sales force.
	Humidity	Air relative humidity of 5 % to 90 % non-condensing.
Standards	NBR IEC 62271-200	High voltage controlgear and switchgear - part 200: High voltage controlgear and switchgear in metal enclosure for voltages over 1 kV up to and including 52 kV
	IEC 62271-1	High-voltage switchgear and controlgear - Part 1: Common specifications
	IEC 60060-1	High-voltage test techniques. Part 1: General definitions and test requirements
	CISPR 11	Industrial, scientific and medical (ISM) radio-frequency equipment - electromagnetic disturbance characteristics - limits and methods of measurement
	IEC 61000-4-4	Electromagnetic compatibility (EMC) - Part 4: testing and measurement techniques - section 4: electrical fast transient/burst immunity test. Basic EMB publication
	IEC 61000-4-18	Electromagnetic compatibility (EMC) - Part 4-18: testing and measurement techniques - damped oscillatory wave immunity test
	NBR IEC 60529	Protection rates for electric equipment enclosures (ip code)
	UL 347	Medium Voltage AC Contactors, Controllers and Control Centers
	UL 347B	Medium Voltage Motor Controllers

## EDP11

The Engineered Drive Panel is an industrial general purpose AC motor control and protection package. It is designed for simple and quick installation and start-up, requiring only input power and output motor connections. There are two enclosure variants available such as NEMA 12 ventilated and NEMA 3R for Outdoor Installations.

The Engineered Drive Panel is built to complement the ruggedness and reliability of WEG motors, providing a complete, simple, and cost effective AC motor control, monitor and protection solution.



### NEMA 12 Features

- CFW11 Drive
- Indoor Rated
- ED1-ED4: non-ventilated and wall mounted
- ED5: non-ventilated and floor mounted
- ED6-ED10: ventilated and floor mounted
- Circuit Breaker with through door handle
- CFW11 VFD (Dual DC choke built-in)
- Fused 480V/120V CPT
- Internal Fan
- Heat sink through the back
- Motor Terminal Block
- Door mounted keypad
- Start / Stop Pushbuttons
- Run/Fault Pilot Lights
- Keypad cover – same as GPH2
- Drive and controls mounted in NEMA 4 section of panel; heat sink is external and rated NEMA 12

### NEMA 3R Features

- NEMA 12 features plus:
- Outdoor Rated
- Weather kit (rain/sun/snow shield)
- Panel space heater + thermostat
- Lightning arrestor
- Service entrance rated

### 3-Contactor Bypass Option

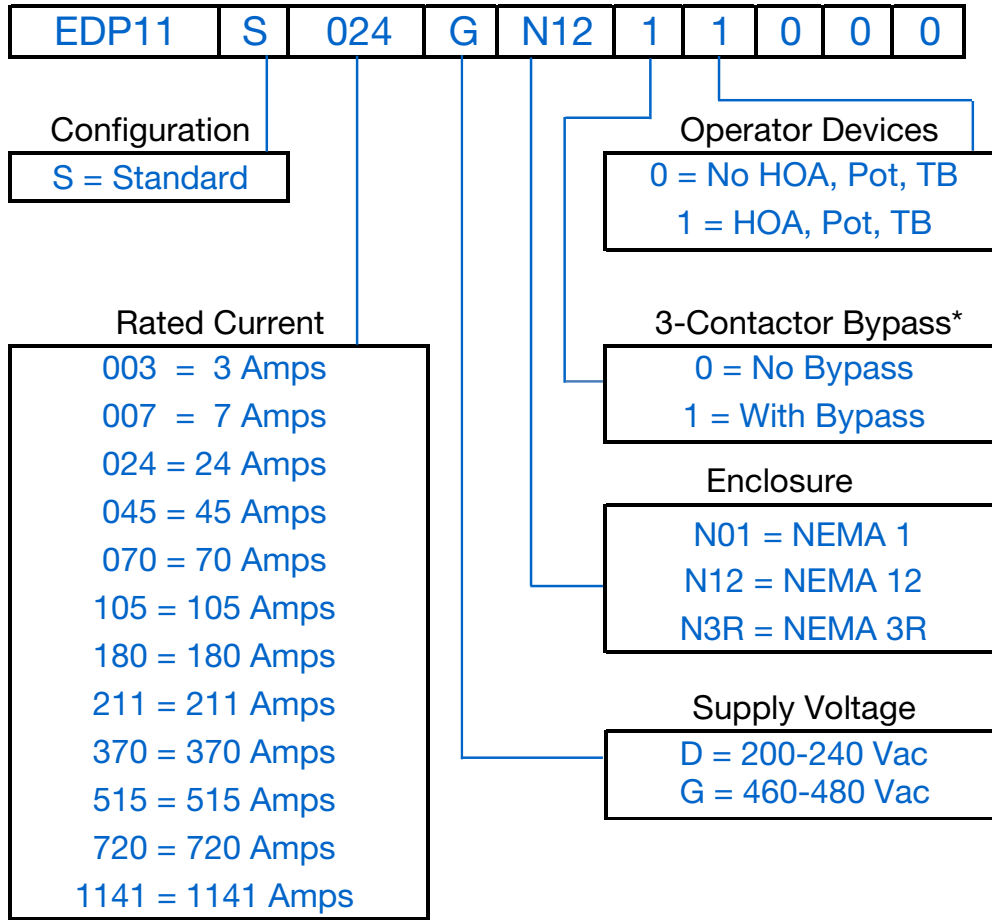
- NEMA 12 or NEMA 3R version
- AC3 full rated by-pass contactor
- Drive input and output contactors
- Motor overload relay
- E-Stop Mushroom style pushbutton
- Enclosure size to be determined

### HOA/POT/TB Option

- HOA = Hand-OFF-Auto
- POT = Potentiometer for speed reference
- TB = Auxiliary control terminal block for remote command

*EDP11 panels highlighted in GREEN on page #134 represent panels that are normally kept in stock.*

## EDP11 Catalog Number Sequence



*\* By-pass Contactor and Overload is "Full Rated" and mounted adjacent the VFD Table intended as reference only and not to create part numbers.*

## EDP11

### Engineered Drive Panel – NEMA 12 Enclosure (no By-Pass)

Motor Voltage	ND / VT <sup>1</sup>		HD / CT <sup>1</sup>		Catalog Number	Braking Transistor	Drive Frame Size	Enclosure Frame Size <sup>4</sup>	Approx. Weight (lbs.) <sup>7</sup>	List Price	Multiplier New (Old)	
	Motor HP <sup>2</sup>	Drive Amps <sup>3</sup>	Motor HP <sup>2</sup>	Drive Amps <sup>3</sup>								
230 Vac	Input Power Supply: Three-Phase 220-240 Vac											
	2	7.0	1 1/2	5.5	EDP11S007DN12	Yes	A	ED1	36	\$6,690	V1E (V1)	
	3	10	2	8.0	EDP11S010DN12	Yes	A	ED1	36	\$6,756	V1E (V1)	
	5	13	3	11	EDP11S013DN12	Yes	A	ED1	41	\$6,855	V1E (V1)	
	5	16	5	13	EDP11S016DN12	Yes	A	ED1	42	\$7,123	V1E (V1)	
	7 1/2	24	7 1/2	20	EDP11S024DN12	Yes	B	ED1	56	\$7,664	V1E (V1)	
	10	28	10	24	EDP11S028DN12	Yes	B	ED1	56	\$8,408	V1E (V1)	
	10	33.5	10	28	EDP11S033DN12	Yes	B	ED1	56	\$9,108	V1E (V1)	
	15	45	15	36	EDP11S045DN12	Yes	C	ED2	88	\$10,214	V1E (V1)	
	20	54	20	45	EDP11S054DN12	Yes	C	ED2	90	\$11,491	V1E (V1)	
	25	70	20	56	EDP11S070DN12	Yes	C	ED2	100	\$12,162	V1E (V1)	
	30	86	25	70	EDP11S086DN12	Yes	D	ED3	230	\$14,321	V1E (V1)	
	40	105	30	86	EDP11S105DN12	Yes	D	ED3	240	\$17,164	V1E (V1)	
	50	142	40	115	EDP11S142DN12	No	E <sup>5</sup>	ED4	300	\$19,793	V1E (V1)	
	60	180	50	142	EDP11S180DN12	No	E <sup>5</sup>	ED4	300	\$25,116	V1E (V1)	
	75	211	60	180	EDP11S211DN12	No	E <sup>5</sup>	ED4	300	\$28,326	V1E (V1)	
460 Vac	Input Power Supply: Three-Phase 460-480 Vac											
	2	3.6	2	3.6	EDP11S003GN12	Yes	A	ED1	36	\$6,510	V1E (V1)	
	3	5.0	3	5.0	EDP11S005GN12	Yes	A	ED1	36	\$6,626	V1E (V1)	
	5	7.0	3	5.5	EDP11S007GN12	Yes	A	ED1	41	\$6,690	V1E (V1)	
	7 1/2	10	5	10	EDP11S010GN12	Yes	A	ED1	42	\$6,756	V1E (V1)	
	10	13.5	7 1/2	11	EDP11S013GN12	Yes	A	ED1	42	\$6,855	V1E (V1)	
	10	17	10	13.5	EDP11S017GN12	Yes	B	ED1	56	\$7,269	V1E (V1)	
	15	24	10	19	EDP11S024GN12	Yes	B	ED1	56	\$7,821	V1E (V1)	
	20	31	15	25	EDP11S031GN12	Yes	B	ED1	56	\$8,580	V1E (V1)	
	25	38	20	33	EDP11S038GN12	Yes	C	ED2	90	\$9,293	V1E (V1)	
	30	45	25	38	EDP11S045GN12	Yes	C	ED2	104	\$10,422	V1E (V1)	
	40	58.5	30	47	EDP11S058GN12	Yes	C	ED2	110	\$12,026	V1E (V1)	
	50/60	70.5	40	61	EDP11S070GN12	Yes	D	ED3	240	\$12,729	V1E (V1)	
	75	88	50	73	EDP11S088GN12	Yes	D	ED3	245	\$14,988	V1E (V1)	
	75	105	75	88	EDP11S105GN12	No	E <sup>5</sup>	ED4	300	\$17,964	V1E (V1)	
	100/125	142	75	115	EDP11S142GN12	No	E <sup>5</sup>	ED4	300	\$20,715	V1E (V1)	
	150	180	100	142	EDP11S180GN12	No	E <sup>5</sup>	ED4	300	\$26,286	V1E (V1)	
	175	211	125	180	EDP11S211GN12	No	E <sup>5</sup>	ED4	300	\$29,645	V1E (V1)	
	200	242	150	211	EDP11S242GN12	No	F <sup>5</sup>	ED6	700	\$40,755	V1E (V1)	
	250	312	200	242	EDP11S312GN12	No	F <sup>5</sup>	ED6	720	\$45,114	V1E (V1)	
	300	370	250	312	EDP11S370GN12	No	F <sup>5</sup>	ED6	750	\$47,743	V1E (V1)	
	400	477	300	370	EDP11S477GN12	No	F <sup>5</sup>	ED6	775	\$54,585	V1E (V1)	
	450	515	400	477	EDP11S515GN12	No	G <sup>5</sup>	ED8	1100	\$66,023	V1E (V1)	
500	601	450	515	EDP11S601GN12	No	G <sup>5</sup>	ED8	1120	\$71,875	V1E (V1)		
600	720	500	560	EDP11S720GN12	No	G <sup>6</sup>	ED8	1150	\$88,556	V1E (V1)		
700	795	550	637	EDP11S795GN12	No	H <sup>6</sup>	ED10	1700	\$109,150	V1E (V1)		
750	877	600	715	EDP11S877GN12	No	H <sup>6</sup>	ED10	1700	\$116,300	V1E (V1)		
950	1062	750	855	EDP11S1062GN12	No	H <sup>6</sup>	ED10	1850	\$136,120	V1E (V1)		
1000	1141	800	943	EDP11S1141GN12	No	H <sup>6</sup>	ED10	1850	\$147,575	V1E (V1)		

**NOTES:**

- 1) CT = Constant Torque, 150% overload / 60 sec.; VT = Variable Torque (Quadratic Load), 110% overload / 60 sec.
- 2) "HP" rating based on "average FLA values". Use as a guide only.
- 3) Motor FLA may vary with speed and manufacturer. ALWAYS compare motor FLA to Nominal AMPS of drive.
- 4) ED1 - ED4 enclosures are non-ventilated and wall-mounted; ED6 - ED10 enclosures are ventilated and floor mounted.
- 5) Maximum 40°C ambient temperature without derating
- 6) Maximum 35°C ambient temperature without derating
- 7) Dimensions and weights are for estimating purposes only. Only use "AS BUILT" drawings for construction. For other technical data please refer to WEG product manual.





### Engineered Drive Panel – NEMA 12 Enclosure with By-Pass

Motor Voltage	ND / VT <sup>1</sup>		HD / CT <sup>1</sup>		Catalog Number	Braking Transistor	Drive Frame Size	Enclosure Frame Size <sup>4</sup>	Approx. Weight (lbs.) <sup>7</sup>	List Price	Multiplier New (Old)	
	Motor HP <sup>2</sup>	Drive Amps <sup>3</sup>	Motor HP <sup>2</sup>	Drive Amps <sup>3</sup>								
230 Vac	Input Power Supply: Three-Phase 220-240 Vac											
	2	7.0	1 1/2	5.5	EDP11S007DN1210000	Yes	A	ED2	36	\$8,200	V1E (V1)	
	3	10	2	8.0	EDP11S010DN1210000	Yes	A	ED2	36	\$8,276	V1E (V1)	
	5	13	3	11	EDP11S013DN1210000	Yes	A	ED2	41	\$8,375	V1E (V1)	
	5	16	5	13	EDP11S016DN1210000	Yes	A	ED2	42	\$8,643	V1E (V1)	
	7 1/2	24	7 1/2	20	EDP11S024DN1210000	Yes	B	ED2	56	\$9,262	V1E (V1)	
	10	28	10	24	EDP11S028DN1210000	Yes	B	ED2	56	\$10,200	V1E (V1)	
	10	33.5	10	28	EDP11S033DN1210000	Yes	B	ED2	56	\$11,011	V1E (V1)	
	15	45	15	36	EDP11S045DN1210000	Yes	C	ED3	88	\$12,316	V1E (V1)	
	20	54	20	45	EDP11S054DN1210000	Yes	C	ED3	90	\$13,738	V1E (V1)	
	25	70	20	56	EDP11S070DN1210000	Yes	C	ED3	100	\$14,857	V1E (V1)	
	30	86	25	70	EDP11S086DN1210000	Yes	D	ED4	230	\$17,016	V1E (V1)	
	40	105	30	86	EDP11S105DN1210000	Yes	D	ED4	240	\$20,052	V1E (V1)	
	50	142	40	115	EDP11S142DN1210000	No	E <sup>5</sup>	ED5	300	\$24,778	V1E (V1)	
	60	180	50	142	EDP11S180DN1210000	No	E <sup>5</sup>	ED5	300	\$31,111	V1E (V1)	
75	211	60	180	EDP11S211DN1210000	No	E <sup>5</sup>	ED5	300	\$35,651	V1E (V1)		
460 Vac	Input Power Supply: Three-Phase 460-480 Vac											
	2	3.6	2	3.6	EDP11S003GN1210000	Yes	A	ED2	36	\$8,020	V1E (V1)	
	3	5.0	3	5.0	EDP11S005GN1210000	Yes	A	ED2	36	\$8,136	V1E (V1)	
	5	7.0	3	5.5	EDP11S007GN1210000	Yes	A	ED2	41	\$8,200	V1E (V1)	
	7 1/2	10	5	10	EDP11S010GN1210000	Yes	A	ED2	42	\$8,276	V1E (V1)	
	10	13.5	7 1/2	11	EDP11S013GN1210000	Yes	A	ED2	42	\$8,375	V1E (V1)	
	10	17	10	13.5	EDP11S017GN1210000	Yes	B	ED2	56	\$8,867	V1E (V1)	
	15	24	10	19	EDP11S024GN1210000	Yes	B	ED2	56	\$9,613	V1E (V1)	
	20	31	15	25	EDP11S031GN1210000	Yes	B	ED2	56	\$10,483	V1E (V1)	
	25	38	20	33	EDP11S038GN1210000	Yes	C	ED3	90	\$11,395	V1E (V1)	
	30	45	25	38	EDP11S045GN1210000	Yes	C	ED3	104	\$12,669	V1E (V1)	
	40	58.5	30	47	EDP11S058GN1210000	Yes	C	ED3	110	\$14,721	V1E (V1)	
	50/60	70.5	40	61	EDP11S070GN1210000	Yes	D	ED4	240	\$15,424	V1E (V1)	
	75	88	50	73	EDP11S088GN1210000	Yes	D	ED4	245	\$17,876	V1E (V1)	
	75	105	75	88	EDP11S105GN1210000	No	E <sup>5</sup>	ED5	300	\$21,308	V1E (V1)	
	100/125	142	75	115	EDP11S142GN1210000	No	E <sup>5</sup>	ED5	300	\$25,700	V1E (V1)	
	150	180	100	142	EDP11S180GN1210000	No	E <sup>5</sup>	ED5	300	\$32,281	V1E (V1)	
	175	211	125	180	EDP11S211GN1210000	No	E <sup>5</sup>	ED5	300	\$36,970	V1E (V1)	
	200	242	150	211	EDP11S242GN1210000	No	F <sup>5</sup>	ED7	700	\$53,334	V1E (V1)	
	250	312	200	242	EDP11S312GN1210000	No	F <sup>5</sup>	ED7	720	\$59,257	V1E (V1)	
300	370	250	312	EDP11S370GN1210000	No	F <sup>5</sup>	ED7	750	\$62,146	V1E (V1)		
400	477	300	370	EDP11S477GN1210000	No	F <sup>5</sup>	ED7	775	\$76,618	V1E (V1)		
450	515	400	477	EDP11S515GN1210000	No	G <sup>5</sup>	ED9	1100	\$88,056	V1E (V1)		
500	601	450	515	EDP11S601GN1210000	No	G <sup>5</sup>	ED9	1120	\$99,447	V1E (V1)		
600	720	500	560	EDP11S720GN1210000	No	G <sup>6</sup>	ED9	1150	\$119,944	V1E (V1)		

**NOTES:**

- 1) CT = Constant Torque, 150% overload / 60 sec.; VT = Variable Torque (Quadratic Load), 110% overload / 60 sec.
- 2) "HP" rating based on "average FLA values". Use as a guide only.
- 3) Motor FLA may vary with speed and manufacturer. ALWAYS compare motor FLA to Nominal AMPS of drive.
- 4) ED1 - ED5 enclosures are non-ventilated and wall-mounted (ED5 - free standing); ED6 - ED9 enclosures are ventilated and floor mounted.
- 5) Maximum 40°C ambient temperature without derating
- 6) Maximum 35°C ambient temperature without derating
- 7) Dimensions and weights are for estimating purposes only. Only use "AS BUILT" drawings for construction. For other technical data please refer to WEG product manual.

## EDP11

### Engineered Drive Panel – NEMA 12 Enclosure (no By-Pass) with HOA / Pot / TB

Motor Voltage	ND / VT <sup>1</sup>		HD / CT <sup>1</sup>		Catalog Number	Braking Transistor	Drive Frame Size	Enclosure Frame Size <sup>4</sup>	Approx. Weight (lbs.) <sup>7</sup>	List Price	Multiplier New (Old)	
	Motor HP <sup>2</sup>	Drive Amps <sup>3</sup>	Motor HP <sup>2</sup>	Drive Amps <sup>3</sup>								
230 Vac	<b>Input Power Supply: Three-Phase 220-240 Vac</b>											
	2	7.0	1 1/2	5.5	EDP11S007DN1201000	Yes	A	ED1	36	\$7,453	V1E (V1)	
	3	10	2	8.0	EDP11S010DN1201000	Yes	A	ED1	36	\$7,519	V1E (V1)	
	5	13	3	11	EDP11S013DN1201000	Yes	A	ED1	41	\$7,618	V1E (V1)	
	5	16	5	13	EDP11S016DN1201000	Yes	A	ED1	42	\$7,886	V1E (V1)	
	7 1/2	24	7 1/2	20	EDP11S024DN1201000	Yes	B	ED1	56	\$8,427	V1E (V1)	
	10	28	10	24	EDP11S028DN1201000	Yes	B	ED1	56	\$9,171	V1E (V1)	
	10	33.5	10	28	EDP11S033DN1201000	Yes	B	ED1	56	\$9,871	V1E (V1)	
	15	45	15	36	EDP11S045DN1201000	Yes	C	ED2	88	\$10,977	V1E (V1)	
	20	54	20	45	EDP11S054DN1201000	Yes	C	ED2	90	\$12,254	V1E (V1)	
	25	70	20	56	EDP11S070DN1201000	Yes	C	ED2	100	\$12,925	V1E (V1)	
	30	86	25	70	EDP11S086DN1201000	Yes	D	ED3	230	\$15,084	V1E (V1)	
	40	105	30	86	EDP11S105DN1201000	Yes	D	ED3	240	\$17,927	V1E (V1)	
	50	142	40	115	EDP11S142DN1201000	No	E <sup>5</sup>	ED4	300	\$20,556	V1E (V1)	
	60	180	50	142	EDP11S180DN1201000	No	E <sup>5</sup>	ED4	300	\$25,879	V1E (V1)	
	75	211	60	180	EDP11S211DN1201000	No	E <sup>5</sup>	ED4	300	\$29,089	V1E (V1)	
	460 Vac	<b>Input Power Supply: Three-Phase 460-480 Vac</b>										
2		3.6	2	3.6	EDP11S003GN1201000	Yes	A	ED1	36	\$7,273	V1E (V1)	
3		5.0	3	5.0	EDP11S005GN1201000	Yes	A	ED1	36	\$7,389	V1E (V1)	
5		7.0	3	5.5	EDP11S007GN1201000	Yes	A	ED1	41	\$7,453	V1E (V1)	
7 1/2		10	5	10	EDP11S010GN1201000	Yes	A	ED1	42	\$7,519	V1E (V1)	
10		13.5	7 1/2	11	EDP11S013GN1201000	Yes	A	ED1	42	\$7,618	V1E (V1)	
10		17	10	13.5	EDP11S017GN1201000	Yes	B	ED1	56	\$8,032	V1E (V1)	
15		24	10	19	EDP11S024GN1201000	Yes	B	ED1	56	\$8,584	V1E (V1)	
20		31	15	25	EDP11S031GN1201000	Yes	B	ED1	56	\$9,343	V1E (V1)	
25		38	20	33	EDP11S038GN1201000	Yes	C	ED2	90	\$10,056	V1E (V1)	
30		45	25	38	EDP11S045GN1201000	Yes	C	ED2	104	\$11,185	V1E (V1)	
40		58.5	30	47	EDP11S058GN1201000	Yes	C	ED2	110	\$12,789	V1E (V1)	
50/60		70.5	40	61	EDP11S070GN1201000	Yes	D	ED3	240	\$13,492	V1E (V1)	
75		88	50	73	EDP11S088GN1201000	Yes	D	ED3	245	\$15,751	V1E (V1)	
75		105	75	88	EDP11S105GN1201000	No	E <sup>5</sup>	ED4	300	\$18,727	V1E (V1)	
100/125		142	75	115	EDP11S142GN1201000	No	E <sup>5</sup>	ED4	300	\$21,478	V1E (V1)	
150		180	100	142	EDP11S180GN1201000	No	E <sup>5</sup>	ED4	300	\$27,049	V1E (V1)	
175		211	125	180	EDP11S211GN1201000	No	E <sup>5</sup>	ED4	300	\$30,408	V1E (V1)	
200		242	150	211	EDP11S242GN1201000	No	F <sup>5</sup>	ED6	700	\$41,613	V1E (V1)	
250		312	200	242	EDP11S312GN1201000	No	F <sup>5</sup>	ED6	720	\$45,972	V1E (V1)	
300		370	250	312	EDP11S370GN1201000	No	F <sup>5</sup>	ED6	750	\$48,601	V1E (V1)	
400		477	300	370	EDP11S477GN1201000	No	F <sup>5</sup>	ED6	775	\$55,443	V1E (V1)	
450		515	400	477	EDP11S515GN1201000	No	G <sup>5</sup>	ED8	1100	\$66,881	V1E (V1)	
500		601	450	515	EDP11S601GN1201000	No	G <sup>5</sup>	ED8	1120	\$72,733	V1E (V1)	
600		720	500	560	EDP11S720GN1201000	No	G <sup>6</sup>	ED8	1150	\$89,414	V1E (V1)	
700		795	550	637	EDP11S795GN1201000	No	H <sup>6</sup>	ED10	1700	\$110,008	V1E (V1)	
750		877	600	715	EDP11S877GN1201000	No	H <sup>6</sup>	ED10	1700	\$117,158	V1E (V1)	
950	1062	750	855	EDP11S1062GN1201000	No	H <sup>6</sup>	ED10	1850	\$136,978	V1E (V1)		
1000	1141	800	943	EDP11S1141GN1201000	No	H <sup>6</sup>	ED10	1850	\$148,433	V1E (V1)		

**NOTES:**

- 1) CT = Constant Torque, 150% overload / 60 sec.; VT = Variable Torque (Quadratic Load), 110% overload / 60 sec.
- 2) "HP" rating based on "average FLA values". Use as a guide only.
- 3) Motor FLA may vary with speed and manufacturer. ALWAYS compare motor FLA to Nominal AMPS of drive.
- 4) ED1 - ED4 enclosures are non-ventilated and wall-mounted; ED6 - ED10 enclosures are ventilated and floor mounted.
- 5) Maximum 40°C ambient temperature without derating
- 6) Maximum 35°C ambient temperature without derating
- 7) Dimensions and weights are for estimating purposes only. Only use "AS BUILT" drawings for construction. For other technical data please refer to WEG product manual.



### Engineered Drive Panel – NEMA 12 Enclosure with By-Pass and HOA / Pot / TB

Motor Voltage	ND / VT <sup>1</sup>		HD / CT <sup>1</sup>		Catalog Number	Braking Transistor	Drive Frame Size	Enclosure Frame Size <sup>4</sup>	Approx. Weight (lbs.) <sup>7</sup>	List Price	Multiplier New (Old)	
	Motor HP <sup>2</sup>	Drive Amps <sup>3</sup>	Motor HP <sup>2</sup>	Drive Amps <sup>3</sup>								
230 Vac	<b>Input Power Supply: Three-Phase 220-240 Vac</b>											
	2	7.0	1 1/2	5.5	EDP11S007DN1211000	Yes	A	ED2	36	\$8,963	V1E (V1)	
	3	10	2	8.0	EDP11S010DN1211000	Yes	A	ED2	36	\$9,039	V1E (V1)	
	5	13	3	11	EDP11S013DN1211000	Yes	A	ED2	41	\$9,138	V1E (V1)	
	5	16	5	13	EDP11S016DN1211000	Yes	A	ED2	42	\$9,406	V1E (V1)	
	7 1/2	24	7 1/2	20	EDP11S024DN1211000	Yes	B	ED2	56	\$10,025	V1E (V1)	
	10	28	10	24	EDP11S028DN1211000	Yes	B	ED2	56	\$10,963	V1E (V1)	
	10	33.5	10	28	EDP11S033DN1211000	Yes	B	ED2	56	\$11,774	V1E (V1)	
	15	45	15	36	EDP11S045DN1211000	Yes	C	ED3	88	\$13,079	V1E (V1)	
	20	54	20	45	EDP11S054DN1211000	Yes	C	ED3	90	\$14,501	V1E (V1)	
	25	70	20	56	EDP11S070DN1211000	Yes	C	ED3	100	\$15,620	V1E (V1)	
	30	86	25	70	EDP11S086DN1211000	Yes	D	ED4	230	\$17,779	V1E (V1)	
	40	105	30	86	EDP11S105DN1211000	Yes	D	ED4	240	\$20,815	V1E (V1)	
	50	142	40	115	EDP11S142DN1211000	No	E <sup>5</sup>	ED5	300	\$25,541	V1E (V1)	
	60	180	50	142	EDP11S180DN1211000	No	E <sup>5</sup>	ED5	300	\$31,874	V1E (V1)	
	75	211	60	180	EDP11S211DN1211000	No	E <sup>5</sup>	ED5	300	\$36,414	V1E (V1)	
460 Vac	<b>Input Power Supply: Three-Phase 460-480 Vac</b>											
	2	3.6	2	3.6	EDP11S003GN1211000	Yes	A	ED2	36	\$8,783	V1E (V1)	
	3	5.0	3	5.0	EDP11S005GN1211000	Yes	A	ED2	36	\$8,899	V1E (V1)	
	5	7.0	3	5.5	EDP11S007GN1211000	Yes	A	ED2	41	\$8,963	V1E (V1)	
	7 1/2	10	5	10	EDP11S010GN1211000	Yes	A	ED2	42	\$9,039	V1E (V1)	
	10	13.5	7 1/2	11	EDP11S013GN1211000	Yes	A	ED2	42	\$9,138	V1E (V1)	
	10	17	10	13.5	EDP11S017GN1211000	Yes	B	ED2	56	\$9,630	V1E (V1)	
	15	24	10	19	EDP11S024GN1211000	Yes	B	ED2	56	\$10,376	V1E (V1)	
	20	31	15	25	EDP11S031GN1211000	Yes	B	ED2	56	\$11,246	V1E (V1)	
	25	38	20	33	EDP11S038GN1211000	Yes	C	ED3	90	\$12,158	V1E (V1)	
	30	45	25	38	EDP11S045GN1211000	Yes	C	ED3	104	\$13,432	V1E (V1)	
	40	58.5	30	47	EDP11S058GN1211000	Yes	C	ED3	110	\$15,484	V1E (V1)	
	50/60	70.5	40	61	EDP11S070GN1211000	Yes	D	ED4	240	\$16,187	V1E (V1)	
	75	88	50	73	EDP11S088GN1211000	Yes	D	ED4	245	\$18,639	V1E (V1)	
	75	105	75	88	EDP11S105GN1211000	No	E <sup>5</sup>	ED5	300	\$22,071	V1E (V1)	
	100/125	142	75	115	EDP11S142GN1211000	No	E <sup>5</sup>	ED5	300	\$26,463	V1E (V1)	
	150	180	100	142	EDP11S180GN1211000	No	E <sup>5</sup>	ED5	300	\$33,044	V1E (V1)	
	175	211	125	180	EDP11S211GN1211000	No	E <sup>5</sup>	ED5	300	\$37,733	V1E (V1)	
	200	242	150	211	EDP11S242GN1211000	No	F <sup>5</sup>	ED7	700	\$54,097	V1E (V1)	
	250	312	200	242	EDP11S312GN1211000	No	F <sup>5</sup>	ED7	720	\$60,115	V1E (V1)	
	300	370	250	312	EDP11S370GN1211000	No	F <sup>5</sup>	ED7	750	\$63,004	V1E (V1)	
	400	477	300	370	EDP11S477GN1211000	No	F <sup>5</sup>	ED7	775	\$77,476	V1E (V1)	
450	515	400	477	EDP11S515GN1211000	No	G <sup>5</sup>	ED9	1100	\$88,914	V1E (V1)		
500	601	450	515	EDP11S601GN1211000	No	G <sup>5</sup>	ED9	1120	\$100,305	V1E (V1)		
600	720	500	560	EDP11S720GN1211000	No	G <sup>6</sup>	ED9	1150	\$120,802	V1E (V1)		

**NOTES:**

- 1) CT = Constant Torque, 150% overload / 60 sec.; VT = Variable Torque (Quadratic Load), 110% overload / 60 sec.
  - 2) "HP" rating based on "average FLA values". Use as a guide only.
  - 3) Motor FLA may vary with speed and manufacturer. ALWAYS compare motor FLA to Nominal AMPS of drive.
  - 4) ED1 - ED4 enclosures are non-ventilated and wall-mounted; ED6 - ED10 enclosures are ventilated and floor mounted.
  - 5) Maximum 45°C ambient temperature without derating
  - 6) Maximum 40°C ambient temperature without derating
  - 7) Maximum 35°C ambient temperature without derating
- For other technical data please refer to WEG product manual.

## EDP11

### Engineered Drive Panel – NEMA 3R Enclosure (no By-Pass)

Motor Voltage	ND / VT <sup>1</sup>		HD / CT <sup>1</sup>		Catalog Number	Braking Transistor	Drive Frame Size	Enclosure Frame Size <sup>4</sup>	Approx. Weight (lbs.) <sup>7</sup>	List Price	Multiplier New (Old)	
	Motor HP <sup>2</sup>	Drive Amps <sup>3</sup>	Motor HP <sup>2</sup>	Drive Amps <sup>3</sup>								
230 Vac	<b>Input Power Supply: Three-Phase 220-240 Vac</b>											
	2	7.0	1 1/2	5.5	EDP11S007DN3R	Yes	A <sup>5</sup>	ED1	36	\$8,521	V1E (V1)	
	3	10	2	8.0	EDP11S010DN3R	Yes	A <sup>5</sup>	ED1	36	\$8,587	V1E (V1)	
	5	13	3	11	EDP11S013DN3R	Yes	A <sup>5</sup>	ED1	41	\$8,686	V1E (V1)	
	5	16	5	13	EDP11S016DN3R	Yes	A <sup>5</sup>	ED1	42	\$8,918	V1E (V1)	
	7 1/2	24	7 1/2	20	EDP11S024DN3R	Yes	B <sup>5</sup>	ED1	56	\$9,459	V1E (V1)	
	10	28	10	24	EDP11S028DN3R	Yes	B <sup>5</sup>	ED1	56	\$10,202	V1E (V1)	
	10	33.5	10	28	EDP11S033DN3R	Yes	B <sup>5</sup>	ED1	56	\$10,902	V1E (V1)	
	15	45	15	36	EDP11S045DN3R	Yes	C <sup>5</sup>	ED2	88	\$12,122	V1E (V1)	
	20	54	20	45	EDP11S054DN3R	Yes	C <sup>5</sup>	ED2	90	\$13,400	V1E (V1)	
	25	70	20	56	EDP11S070DN3R	Yes	C <sup>5</sup>	ED2	100	\$14,162	V1E (V1)	
	30	86	25	70	EDP11S086DN3R	Yes	D <sup>5</sup>	ED3	230	\$16,320	V1E (V1)	
	40	105	30	86	EDP11S105DN3R	Yes	D <sup>5</sup>	ED3	240	\$19,338	V1E (V1)	
	50	142	40	115	EDP11S142DN3R	No	E <sup>6</sup>	ED4	300	\$21,967	V1E (V1)	
	60	180	50	142	EDP11S180DN3R	No	E <sup>6</sup>	ED4	300	\$27,290	V1E (V1)	
	75	211	60	180	EDP11S211DN3R	No	E <sup>6</sup>	ED4	300	\$30,499	V1E (V1)	
	460 Vac	<b>Input Power Supply: Three-Phase 460-480 Vac</b>										
2		3.6	2	3.6	EDP11S003GN3R	Yes	A <sup>5</sup>	ED1	36	\$8,341	V1E (V1)	
3		5.0	3	5.0	EDP11S005GN3R	Yes	A <sup>5</sup>	ED1	36	\$8,457	V1E (V1)	
5		7.0	3	5.5	EDP11S007GN3R	Yes	A <sup>5</sup>	ED1	41	\$8,521	V1E (V1)	
7 1/2		10	5	10	EDP11S010GN3R	Yes	A <sup>5</sup>	ED1	42	\$8,587	V1E (V1)	
10		13.5	7 1/2	11	EDP11S013GN3R	Yes	A <sup>5</sup>	ED1	42	\$8,686	V1E (V1)	
10		17	10	13.5	EDP11S017GN3R	Yes	B <sup>5</sup>	ED1	56	\$9,100	V1E (V1)	
15		24	10	19	EDP11S024GN3R	Yes	B <sup>5</sup>	ED1	56	\$9,652	V1E (V1)	
20		31	15	25	EDP11S031GN3R	Yes	B <sup>5</sup>	ED1	56	\$10,411	V1E (V1)	
25		38	20	33	EDP11S038GN3R	Yes	C <sup>5</sup>	ED2	90	\$11,125	V1E (V1)	
30		45	25	38	EDP11S045GN3R	Yes	C <sup>5</sup>	ED2	104	\$12,369	V1E (V1)	
40		58.5	30	47	EDP11S058GN3R	Yes	C <sup>5</sup>	ED2	110	\$13,673	V1E (V1)	
50/60		70.5	40	61	EDP11S070GN3R	Yes	D <sup>5</sup>	ED3	240	\$14,451	V1E (V1)	
75		88	50	73	EDP11S088GN3R	Yes	D <sup>5</sup>	ED3	245	\$16,653	V1E (V1)	
75		105	75	88	EDP11S105GN3R	No	E <sup>6</sup>	ED4	300	\$19,733	V1E (V1)	
100/125		142	75	115	EDP11S142GN3R	No	E <sup>6</sup>	ED4	300	\$22,415	V1E (V1)	
150		180	100	142	EDP11S180GN3R	No	E <sup>6</sup>	ED4	300	\$27,847	V1E (V1)	
175		211	125	180	EDP11S211GN3R	No	E <sup>6</sup>	ED4	300	\$31,122	V1E (V1)	
200		242	150	211	EDP11S242GN3R	No	F <sup>6</sup>	ED6	700	\$45,693	V1E (V1)	
250		312	200	242	EDP11S312GN3R	No	F <sup>6</sup>	ED6	720	\$50,053	V1E (V1)	
300		370	250	312	EDP11S370GN3R	No	F <sup>6</sup>	ED6	750	\$52,682	V1E (V1)	
400		477	300	370	EDP11S477GN3R	No	F <sup>6</sup>	ED6	775	\$59,523	V1E (V1)	
450		515	400	477	EDP11S515GN3R	No	G <sup>6</sup>	ED8	1100	\$71,976	V1E (V1)	
500	601	450	515	EDP11S601GN3R	No	G <sup>6</sup>	ED8	1120	\$77,828	V1E (V1)		
600	720	500	560	EDP11S720GN3R	No	G <sup>7</sup>	ED8	1150	\$94,509	V1E (V1)		
700	795	550	637	EDP11S795GN3R	No	H <sup>7</sup>	ED10	1700	\$116,480	V1E (V1)		
750	877	600	715	EDP11S877GN3R	No	H <sup>7</sup>	ED10	1700	\$123,630	V1E (V1)		
950	1062	750	855	EDP11S1062GN3R	No	H <sup>7</sup>	ED10	1850	\$142,890	V1E (V1)		
1000	1141	800	943	EDP11S1141GN3R	No	H <sup>7</sup>	ED10	1850	\$154,345	V1E (V1)		

**NOTES:**

- 1) CT = Constant Torque, 150% overload / 60 sec.; VT = Variable Torque (Quadratic Load), 110% overload / 60 sec.
- 2) "HP" rating based on "average FLA values". Use as a guide only.
- 3) Motor FLA may vary with speed and manufacturer. ALWAYS compare motor FLA to Nominal AMPS of drive.
- 4) ED1 - ED4 enclosures are non-ventilated and wall-mounted; ED6 - ED10 enclosures are ventilated and floor mounted.
- 5) Maximum 45°C ambient temperature without derating
- 6) Maximum 40°C ambient temperature without derating
- 7) Maximum 35°C ambient temperature without derating
- 8) Dimensions and weights are for estimating purposes only. Only use "AS BUILT" drawings for construction. For other technical data please refer to WEG product manual.



### Engineered Drive Panel – NEMA 3R Enclosure with By-Pass

Motor Voltage	ND / VT <sup>1</sup>		HD / CT <sup>1</sup>		Catalog Number	Braking Transistor	Drive Frame Size	Enclosure Frame Size <sup>4</sup>	Approx. Weight (lbs.) <sup>7</sup>	List Price	Multiplier New (Old)	
	Motor HP <sup>2</sup>	Drive Amps <sup>3</sup>	Motor HP <sup>2</sup>	Drive Amps <sup>3</sup>								
230 Vac	<b>Input Power Supply: Three-Phase 220-240 Vac</b>											
	2	7.0	1 1/2	5.5	EDP11S007DN3R10000	Yes	A <sup>5</sup>	ED2	36	\$10,031	V1E (V1)	
	3	10	2	8.0	EDP11S010DN3R10000	Yes	A <sup>5</sup>	ED2	36	\$10,107	V1E (V1)	
	5	13	3	11	EDP11S013DN3R10000	Yes	A <sup>5</sup>	ED2	41	\$10,206	V1E (V1)	
	5	16	5	13	EDP11S016DN3R10000	Yes	A <sup>5</sup>	ED2	42	\$10,438	V1E (V1)	
	7 1/2	24	7 1/2	20	EDP11S024DN3R10000	Yes	B <sup>5</sup>	ED2	56	\$11,057	V1E (V1)	
	10	28	10	24	EDP11S028DN3R10000	Yes	B <sup>5</sup>	ED2	56	\$11,994	V1E (V1)	
	10	33.5	10	28	EDP11S033DN3R10000	Yes	B <sup>5</sup>	ED2	56	\$12,805	V1E (V1)	
	15	45	15	36	EDP11S045DN3R10000	Yes	C <sup>5</sup>	ED3	88	\$14,224	V1E (V1)	
	20	54	20	45	EDP11S054DN3R10000	Yes	C <sup>5</sup>	ED3	90	\$15,647	V1E (V1)	
	25	70	20	56	EDP11S070DN3R10000	Yes	C <sup>5</sup>	ED3	100	\$16,857	V1E (V1)	
	30	86	25	70	EDP11S086DN3R10000	Yes	D <sup>5</sup>	ED4	230	\$19,015	V1E (V1)	
	40	105	30	86	EDP11S105DN3R10000	Yes	D <sup>5</sup>	ED4	240	\$22,226	V1E (V1)	
	50	142	40	115	EDP11S142DN3R10000	No	E <sup>6</sup>	ED5	300	\$26,952	V1E (V1)	
	60	180	50	142	EDP11S180DN3R10000	No	E <sup>6</sup>	ED5	300	\$33,285	V1E (V1)	
	75	211	60	180	EDP11S211DN3R10000	No	E <sup>6</sup>	ED5	300	\$37,824	V1E (V1)	
460 Vac	<b>Input Power Supply: Three-Phase 460-480 Vac</b>											
	2	3.6	2	3.6	EDP11S003GN3R10000	Yes	A <sup>5</sup>	ED2	36	\$9,851	V1E (V1)	
	3	5.0	3	5.0	EDP11S005GN3R10000	Yes	A <sup>5</sup>	ED2	36	\$9,967	V1E (V1)	
	5	7.0	3	5.5	EDP11S007GN3R10000	Yes	A <sup>5</sup>	ED2	41	\$10,031	V1E (V1)	
	7 1/2	10	5	10	EDP11S010GN3R10000	Yes	A <sup>5</sup>	ED2	42	\$10,107	V1E (V1)	
	10	13.5	7 1/2	11	EDP11S013GN3R10000	Yes	A <sup>5</sup>	ED2	42	\$10,206	V1E (V1)	
	10	17	10	13.5	EDP11S017GN3R10000	Yes	B <sup>5</sup>	ED2	56	\$10,698	V1E (V1)	
	15	24	10	19	EDP11S024GN3R10000	Yes	B <sup>5</sup>	ED2	56	\$11,444	V1E (V1)	
	20	31	15	25	EDP11S031GN3R10000	Yes	B <sup>5</sup>	ED2	56	\$12,314	V1E (V1)	
	25	38	20	33	EDP11S038GN3R10000	Yes	C <sup>5</sup>	ED3	90	\$13,227	V1E (V1)	
	30	45	25	38	EDP11S045GN3R10000	Yes	C <sup>5</sup>	ED3	104	\$14,616	V1E (V1)	
	40	58.5	30	47	EDP11S058GN3R10000	Yes	C <sup>5</sup>	ED3	110	\$16,368	V1E (V1)	
	50/60	70.5	40	61	EDP11S070GN3R10000	Yes	D <sup>5</sup>	ED4	240	\$17,146	V1E (V1)	
	75	88	50	73	EDP11S088GN3R10000	Yes	D <sup>5</sup>	ED4	245	\$19,541	V1E (V1)	
	75	105	75	88	EDP11S105GN3R10000	No	E <sup>6</sup>	ED5	300	\$23,077	V1E (V1)	
	100/125	142	75	115	EDP11S142GN3R10000	No	E <sup>6</sup>	ED5	300	\$27,400	V1E (V1)	
	150	180	100	142	EDP11S180GN3R10000	No	E <sup>6</sup>	ED5	300	\$33,842	V1E (V1)	
	175	211	125	180	EDP11S211GN3R10000	No	E <sup>6</sup>	ED5	300	\$38,447	V1E (V1)	
	200	242	150	211	EDP11S242GN3R10000	No	F <sup>6</sup>	ED7	700	\$58,272	V1E (V1)	
	250	312	200	242	EDP11S312GN3R10000	No	F <sup>6</sup>	ED7	720	\$64,196	V1E (V1)	
300	370	250	312	EDP11S370GN3R10000	No	F <sup>6</sup>	ED7	750	\$67,085	V1E (V1)		
400	477	300	370	EDP11S477GN3R10000	No	F <sup>6</sup>	ED7	775	\$81,556	V1E (V1)		
450	515	400	477	EDP11S515GN3R10000	No	G <sup>6</sup>	ED9	1100	\$94,009	V1E (V1)		
500	601	450	515	EDP11S601GN3R10000	No	G <sup>6</sup>	ED9	1120	\$105,400	V1E (V1)		
600	720	500	560	EDP11S720GN3R10000	No	G <sup>7</sup>	ED9	1150	\$125,897	V1E (V1)		

**NOTES:**

- 1) CT = Constant Torque, 150% overload / 60 sec.; VT = Variable Torque (Quadratic Load), 110% overload / 60 sec.
  - 2) "HP" rating based on "average FLA values". Use as a guide only.
  - 3) Motor FLA may vary with speed and manufacturer. ALWAYS compare motor FLA to Nominal AMPS of drive.
  - 4) ED1 - ED5 enclosures are non-ventilated and wall-mounted (ED5 - free standing); ED6 - ED9 enclosures are ventilated and floor mounted.
  - 5) Maximum 45°C ambient temperature without derating
  - 6) Maximum 40°C ambient temperature without derating
  - 7) Maximum 35°C ambient temperature without derating
  - 8) Dimensions and weights are for estimating purposes only. Only use "AS BUILT" drawings for construction.
- For other technical data please refer to WEG product manual.

## EDP11

### Engineered Drive Panel – NEMA 3R Enclosure (no By-Pass) with HOA / Pot / TB

Motor Voltage	ND / VT <sup>1</sup>		HD / CT <sup>1</sup>		Catalog Number	Braking Transistor	Drive Frame Size	Enclosure Frame Size <sup>4</sup>	Approx. Weight (lbs.) <sup>7</sup>	List Price	Multiplier New (Old)	
	Motor HP <sup>2</sup>	Drive Amps <sup>3</sup>	Motor HP <sup>2</sup>	Drive Amps <sup>3</sup>								
230 Vac	Input Power Supply: Three-Phase 220-240 Vac											
	2	7.0	1 1/2	5.5	EDP11S007DN3R01000	Yes	A <sup>5</sup>	ED1	36	\$9,284	V1E (V1)	
	3	10	2	8.0	EDP11S010DN3R01000	Yes	A <sup>5</sup>	ED1	36	\$9,350	V1E (V1)	
	5	13	3	11	EDP11S013DN3R01000	Yes	A <sup>5</sup>	ED1	41	\$9,449	V1E (V1)	
	5	16	5	13	EDP11S016DN3R01000	Yes	A <sup>5</sup>	ED1	42	\$9,681	V1E (V1)	
	7 1/2	24	7 1/2	20	EDP11S024DN3R01000	Yes	B <sup>5</sup>	ED1	56	\$10,222	V1E (V1)	
	10	28	10	24	EDP11S028DN3R01000	Yes	B <sup>5</sup>	ED1	56	\$10,965	V1E (V1)	
	10	33.5	10	28	EDP11S033DN3R01000	Yes	B <sup>5</sup>	ED1	56	\$11,665	V1E (V1)	
	15	45	15	36	EDP11S045DN3R01000	Yes	C <sup>5</sup>	ED2	88	\$12,885	V1E (V1)	
	20	54	20	45	EDP11S054DN3R01000	Yes	C <sup>5</sup>	ED2	90	\$14,163	V1E (V1)	
	25	70	20	56	EDP11S070DN3R01000	Yes	C <sup>5</sup>	ED2	100	\$14,925	V1E (V1)	
	30	86	25	70	EDP11S086DN3R01000	Yes	D <sup>5</sup>	ED3	230	\$17,083	V1E (V1)	
	40	105	30	86	EDP11S105DN3R01000	Yes	D <sup>5</sup>	ED3	240	\$20,101	V1E (V1)	
	50	142	40	115	EDP11S142DN3R01000	No	E <sup>6</sup>	ED4	300	\$22,730	V1E (V1)	
	60	180	50	142	EDP11S180DN3R01000	No	E <sup>6</sup>	ED4	300	\$28,053	V1E (V1)	
	75	211	60	180	EDP11S211DN3R01000	No	E <sup>6</sup>	ED4	300	\$31,262	V1E (V1)	
	460 Vac	Input Power Supply: Three-Phase 460-480 Vac										
2		3.6	2	3.6	EDP11S003GN3R01000	Yes	A <sup>5</sup>	ED1	36	\$9,104	V1E (V1)	
3		5.0	3	5.0	EDP11S005GN3R01000	Yes	A <sup>5</sup>	ED1	36	\$9,220	V1E (V1)	
5		7.0	3	5.5	EDP11S007GN3R01000	Yes	A <sup>5</sup>	ED1	41	\$9,284	V1E (V1)	
7 1/2		10	5	10	EDP11S010GN3R01000	Yes	A <sup>5</sup>	ED1	42	\$9,350	V1E (V1)	
10		13.5	7 1/2	11	EDP11S013GN3R01000	Yes	A <sup>5</sup>	ED1	42	\$9,449	V1E (V1)	
10		17	10	13.5	EDP11S017GN3R01000	Yes	B <sup>5</sup>	ED1	56	\$9,863	V1E (V1)	
15		24	10	19	EDP11S024GN3R01000	Yes	B <sup>5</sup>	ED1	56	\$10,415	V1E (V1)	
20		31	15	25	EDP11S031GN3R01000	Yes	B <sup>5</sup>	ED1	56	\$11,174	V1E (V1)	
25		38	20	33	EDP11S038GN3R01000	Yes	C <sup>5</sup>	ED2	90	\$11,888	V1E (V1)	
30		45	25	38	EDP11S045GN3R01000	Yes	C <sup>5</sup>	ED2	104	\$13,132	V1E (V1)	
40		58.5	30	47	EDP11S058GN3R01000	Yes	C <sup>5</sup>	ED2	110	\$14,436	V1E (V1)	
50/60		70.5	40	61	EDP11S070GN3R01000	Yes	D <sup>5</sup>	ED3	240	\$15,214	V1E (V1)	
75		88	50	73	EDP11S088GN3R01000	Yes	D <sup>5</sup>	ED3	245	\$17,416	V1E (V1)	
75		105	75	88	EDP11S105GN3R01000	No	E <sup>6</sup>	ED4	300	\$20,496	V1E (V1)	
100/125		142	75	115	EDP11S142GN3R01000	No	E <sup>6</sup>	ED4	300	\$23,178	V1E (V1)	
150		180	100	142	EDP11S180GN3R01000	No	E <sup>6</sup>	ED4	300	\$28,610	V1E (V1)	
175		211	125	180	EDP11S211GN3R01000	No	E <sup>6</sup>	ED4	300	\$31,885	V1E (V1)	
200		242	150	211	EDP11S242GN3R01000	No	F <sup>6</sup>	ED6	700	\$46,456	V1E (V1)	
250		312	200	242	EDP11S312GN3R01000	No	F <sup>6</sup>	ED6	720	\$50,911	V1E (V1)	
300		370	250	312	EDP11S370GN3R01000	No	F <sup>6</sup>	ED6	750	\$53,540	V1E (V1)	
400		477	300	370	EDP11S477GN3R01000	No	F <sup>6</sup>	ED6	775	\$60,381	V1E (V1)	
450		515	400	477	EDP11S515GN3R01000	No	G <sup>6</sup>	ED8	1100	\$72,834	V1E (V1)	
500	601	450	515	EDP11S601GN3R01000	No	G <sup>6</sup>	ED8	1120	\$78,686	V1E (V1)		
600	720	500	560	EDP11S720GN3R01000	No	G <sup>7</sup>	ED8	1150	\$95,367	V1E (V1)		
700	795	550	637	EDP11S795GN3R01000	No	H <sup>7</sup>	ED10	1700	\$117,338	V1E (V1)		
750	877	600	715	EDP11S877GN3R01000	No	H <sup>7</sup>	ED10	1700	\$124,488	V1E (V1)		
950	1062	750	855	EDP11S1062GN3R01000	No	H <sup>7</sup>	ED10	1850	\$143,748	V1E (V1)		
1000	1141	800	943	EDP11S1141GN3R01000	No	H <sup>7</sup>	ED10	1850	\$155,203	V1E (V1)		

**NOTES:**

- 1) CT = Constant Torque, 150% overload / 60 sec.; VT = Variable Torque (Quadratic Load), 110% overload / 60 sec.
  - 2) "HP" rating based on "average FLA values". Use as a guide only.
  - 3) Motor FLA may vary with speed and manufacturer. ALWAYS compare motor FLA to Nominal AMPS of drive.
  - 4) ED1 - ED4 enclosures are non-ventilated and wall-mounted; ED6 - ED10 enclosures are ventilated and floor mounted.
  - 5) Maximum 45°C ambient temperature without derating
  - 6) Maximum 40°C ambient temperature without derating
  - 7) Maximum 35°C ambient temperature without derating
  - 8) Dimensions and weights are for estimating purposes only. Only use "AS BUILT" drawings for construction.
- For other technical data please refer to WEG product manual.

**EDP11 panels highlighted in GREEN represent panels that are normally kept in stock.**



### Engineered Drive Panel – NEMA 3R Enclosure with By-Pass and HOA / Pot / TB

Motor Voltage	ND / VT <sup>1</sup>		HD / CT <sup>1</sup>		Catalog Number	Braking Transistor	Drive Frame Size	Enclosure Frame Size <sup>4</sup>	Approx. Weight (lbs.) <sup>7</sup>	List Price	Multiplier New (Old)	
	Motor HP <sup>2</sup>	Drive Amps <sup>3</sup>	Motor HP <sup>2</sup>	Drive Amps <sup>3</sup>								
230 Vac	<b>Input Power Supply: Three-Phase 220-240 Vac</b>											
	2	7.0	1 1/2	5.5	EDP11S007DN3R11000	Yes	A <sup>5</sup>	ED2	36	\$10,794	V1E (V1)	
	3	10	2	8.0	EDP11S010DN3R11000	Yes	A <sup>5</sup>	ED2	36	\$10,870	V1E (V1)	
	5	13	3	11	EDP11S013DN3R11000	Yes	A <sup>5</sup>	ED2	41	\$10,969	V1E (V1)	
	5	16	5	13	EDP11S016DN3R11000	Yes	A <sup>5</sup>	ED2	42	\$11,201	V1E (V1)	
	7 1/2	24	7 1/2	20	EDP11S024DN3R11000	Yes	B <sup>5</sup>	ED2	56	\$11,820	V1E (V1)	
	10	28	10	24	EDP11S028DN3R11000	Yes	B <sup>5</sup>	ED2	56	\$12,757	V1E (V1)	
	10	33.5	10	28	EDP11S033DN3R11000	Yes	B <sup>5</sup>	ED2	56	\$13,568	V1E (V1)	
	15	45	15	36	EDP11S045DN3R11000	Yes	C <sup>5</sup>	ED3	88	\$14,987	V1E (V1)	
	20	54	20	45	EDP11S054DN3R11000	Yes	C <sup>5</sup>	ED3	90	\$16,410	V1E (V1)	
	25	70	20	56	EDP11S070DN3R11000	Yes	C <sup>5</sup>	ED3	100	\$17,620	V1E (V1)	
	30	86	25	70	EDP11S086DN3R11000	Yes	D <sup>5</sup>	ED4	230	\$19,778	V1E (V1)	
	40	105	30	86	EDP11S105DN3R11000	Yes	D <sup>5</sup>	ED4	240	\$22,989	V1E (V1)	
	50	142	40	115	EDP11S142DN3R11000	No	E <sup>6</sup>	ED5	300	\$27,715	V1E (V1)	
	60	180	50	142	EDP11S180DN3R11000	No	E <sup>6</sup>	ED5	300	\$34,048	V1E (V1)	
	75	211	60	180	EDP11S211DN3R11000	No	E <sup>6</sup>	ED5	300	\$38,587	V1E (V1)	
460 Vac	<b>Input Power Supply: Three-Phase 460-480 Vac</b>											
	2	3.6	2	3.6	EDP11S003GN3R11000	Yes	A <sup>5</sup>	ED2	36	\$10,614	V1E (V1)	
	3	5.0	3	5.0	EDP11S005GN3R11000	Yes	A <sup>5</sup>	ED2	36	\$10,730	V1E (V1)	
	5	7.0	3	5.5	EDP11S007GN3R11000	Yes	A <sup>5</sup>	ED2	41	\$10,794	V1E (V1)	
	7 1/2	10	5	10	EDP11S010GN3R11000	Yes	A <sup>5</sup>	ED2	42	\$10,870	V1E (V1)	
	10	13.5	7 1/2	11	EDP11S013GN3R11000	Yes	A <sup>5</sup>	ED2	42	\$10,969	V1E (V1)	
	10	17	10	13.5	EDP11S017GN3R11000	Yes	B <sup>5</sup>	ED2	56	\$11,461	V1E (V1)	
	15	24	10	19	EDP11S024GN3R11000	Yes	B <sup>5</sup>	ED2	56	\$12,207	V1E (V1)	
	20	31	15	25	EDP11S031GN3R11000	Yes	B <sup>5</sup>	ED2	56	\$13,077	V1E (V1)	
	25	38	20	33	EDP11S038GN3R11000	Yes	C <sup>5</sup>	ED3	90	\$13,873	V1E (V1)	
	30	45	25	38	EDP11S045GN3R11000	Yes	C <sup>5</sup>	ED3	104	\$15,233	V1E (V1)	
	40	58.5	30	47	EDP11S058GN3R11000	Yes	C <sup>5</sup>	ED3	110	\$16,683	V1E (V1)	
	50/60	70.5	40	61	EDP11S070GN3R11000	Yes	D <sup>5</sup>	ED4	240	\$17,909	V1E (V1)	
	75	88	50	73	EDP11S088GN3R11000	Yes	D <sup>5</sup>	ED4	245	\$20,304	V1E (V1)	
	75	105	75	88	EDP11S105GN3R11000	No	E <sup>6</sup>	ED5	300	\$23,840	V1E (V1)	
	100/125	142	75	115	EDP11S142GN3R11000	No	E <sup>6</sup>	ED5	300	\$28,163	V1E (V1)	
	150	180	100	142	EDP11S180GN3R11000	No	E <sup>6</sup>	ED5	300	\$34,605	V1E (V1)	
	175	211	125	180	EDP11S211GN3R11000	No	E <sup>6</sup>	ED5	300	\$39,210	V1E (V1)	
	200	242	150	211	EDP11S242GN3R11000	No	F <sup>6</sup>	ED7	700	\$59,035	V1E (V1)	
	250	312	200	242	EDP11S312GN3R11000	No	F <sup>6</sup>	ED7	720	\$65,054	V1E (V1)	
300	370	250	312	EDP11S370GN3R11000	No	F <sup>6</sup>	ED7	750	\$67,943	V1E (V1)		
400	477	300	370	EDP11S477GN3R11000	No	F <sup>6</sup>	ED7	775	\$82,414	V1E (V1)		
450	515	400	477	EDP11S515GN3R11000	No	G <sup>6</sup>	ED9	1100	\$94,867	V1E (V1)		
500	601	450	515	EDP11S601GN3R11000	No	G <sup>6</sup>	ED9	1120	\$106,258	V1E (V1)		
600	720	500	560	EDP11S720GN3R11000	No	G <sup>7</sup>	ED9	1150	\$126,755	V1E (V1)		

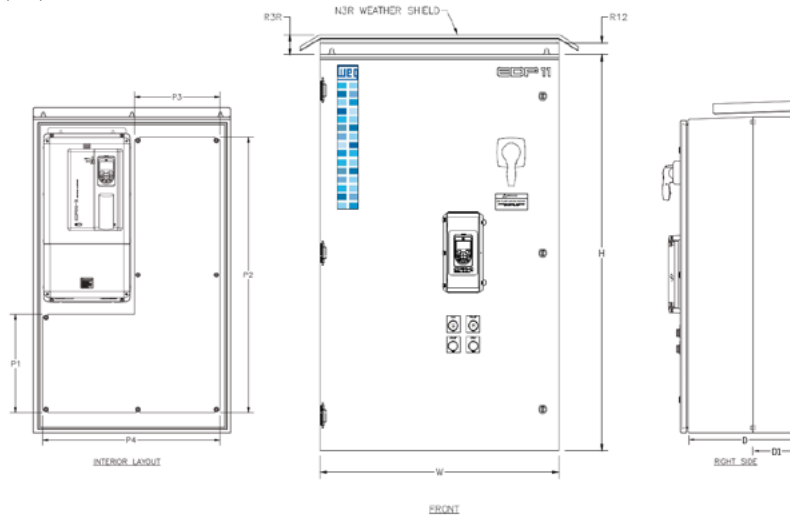
**NOTES:**

- 1) CT = Constant Torque, 150% overload / 60 sec.; VT = Variable Torque (Quadratic Load), 110% overload / 60 sec.
  - 2) "HP" rating based on "average FLA values". Use as a guide only.
  - 3) Motor FLA may vary with speed and manufacturer. ALWAYS compare motor FLA to Nominal AMPS of drive.
  - 4) ED1 - ED5 enclosures are non-ventilated and wall-mounted (ED5 - free standing); ED6 - ED9 enclosures are ventilated and floor mounted.
  - 5) Maximum 45°C ambient temperature without derating
  - 6) Maximum 40°C ambient temperature without derating
  - 7) Maximum 35°C ambient temperature without derating
  - 8) Dimensions and weights are for estimating purposes only. Only use "AS BUILT" drawings for construction.
- For other technical data please refer to WEG product manual.

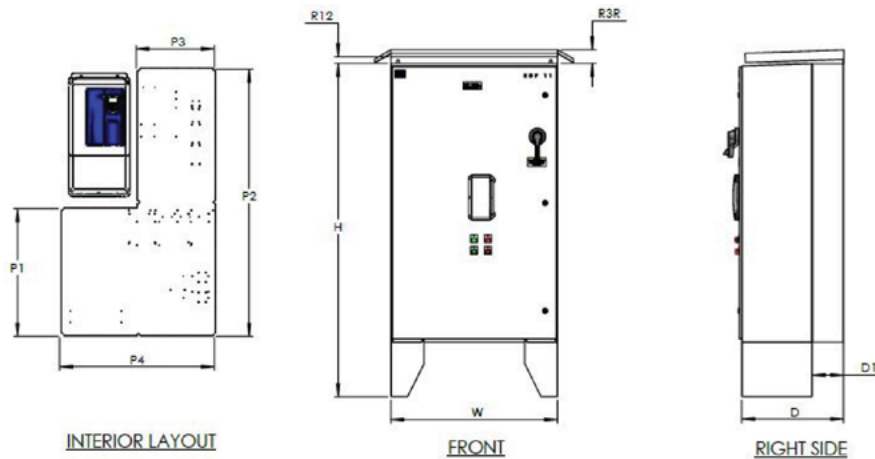
## EDP11

### Enclosure Frame Size

#### ED 1, 2, 3, 4



#### ED 5



### Dimensions <sup>5</sup>

Frame	H	W	D	D1	R3R <sup>1</sup>	R12 <sup>2</sup>
ED1 <sup>4</sup>	24	20	11.5	2.8	2.5	1.5
ED2 <sup>4</sup>	30	24	14	5.4	2.5	1.5
ED3 <sup>4</sup>	36	30	14	5.5	2.5	1.5
ED4 <sup>4</sup>	48	30	17.5	6.8	2.5	1.5
ED5 <sup>3</sup>	72	36	22	6.8	3	1.5

**NOTE:**

1) For NEMA 3R cabinet

2) For NEMA 12 Cabinet

3) ED5 "H" Dimension includes 12" for legs

4) ED1 - ED4 enclosures are non-ventilated and wall-mounted; ED5 enclosures are non-ventilated and floor mounted.

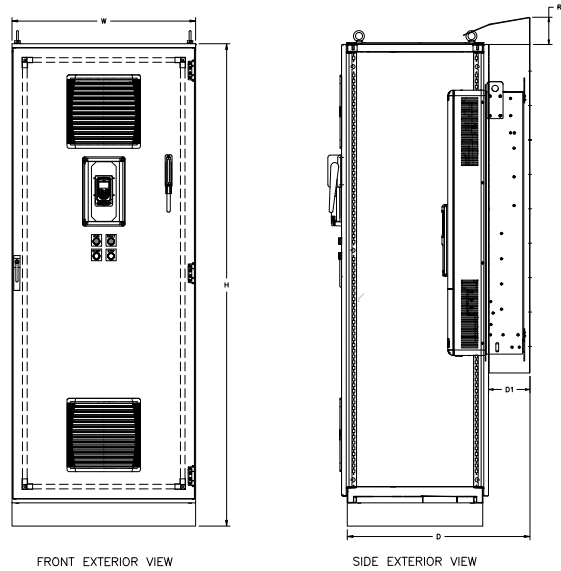
5) Dimensions are provided for estimating purposes only.

\*For NEMA 3R cabinet \*\*For NEMA 12 cabinet



## Enclosure Frame Size

### ED 6

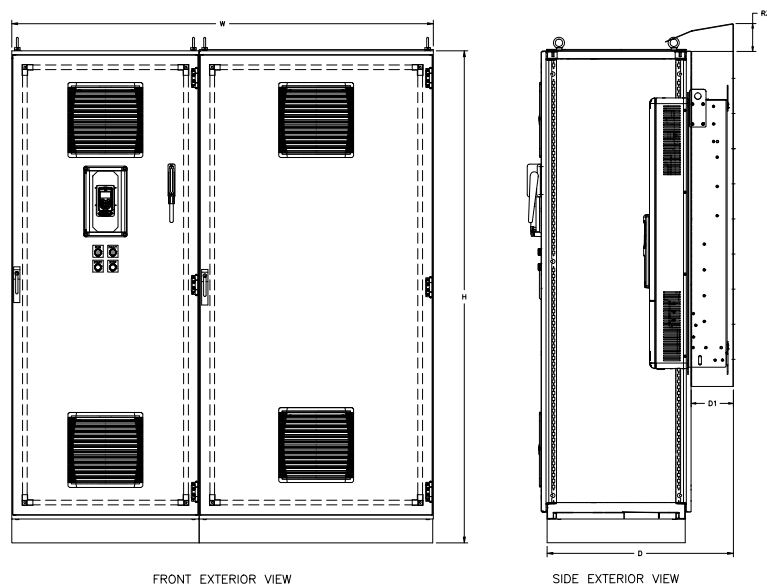


### Dimensions

Frame	H	W	D(N12)	D(N3R)	D1(N12)	D1(N3R)	R3R	N12
<b>ED6</b>	83	32	31.4	41	6.2	11.4	0.5	1.5
<b>ED7</b>	83	63	31.4	41	6.2	11.4	0.5	1.5
<b>ED8</b>	83	56	31.9	41	7.5	11.4	0.5	1.5
<b>ED9</b>	83	95	31.9	41	7.5	11.4	0.5	1.5
<b>ED10</b>	91	80	31.9	41	7.5	11.4	0.5	1.5

NOTES: ED6 - ED10 enclosures are ventilated and floor-mounted  
 Dimensions are provided for Estimating Purposes only.

### ED 7, 8, 9, 10



## GPH2

The Combination Soft Starter is a NEMA 4 Enclosed industrial general purpose AC motor soft starter package. It is designed for simple and quick installation and start-up, requiring only input power and output motor connections.

The Combination Soft Starter is built to complement the ruggedness and reliability of WEG motors, providing a complete, simple, and cost effective AC motor starting and protection solution.



### Standard Features

- Rated for 300% for 30 seconds
- Rated for 450% with derating
- 5 – 175HP at 230V
- 10 – 350HP at 460V
- Wall mounted enclosures for up to 125HP @ 230V; 250HP @ 460V
- Floor Mounted enclosure for up to 150 – 175HP @ 230V, and 300 – 350HP @ 460V
- Soft Starter
- SSW07 from 17 to 412 Amps (all models with integrated AC1 by-pass)
- Circuit Breaker with Through Door Disconnect
- Control Power Transformer
- Start/Stop Pushbuttons
- Run/Fault Pilot Lights
- Hand-Off-Auto (HOA) Selector switch
- SuperDrive G2 Compatible

*Note:*  
SSW07 models do not include keypad

### Applications

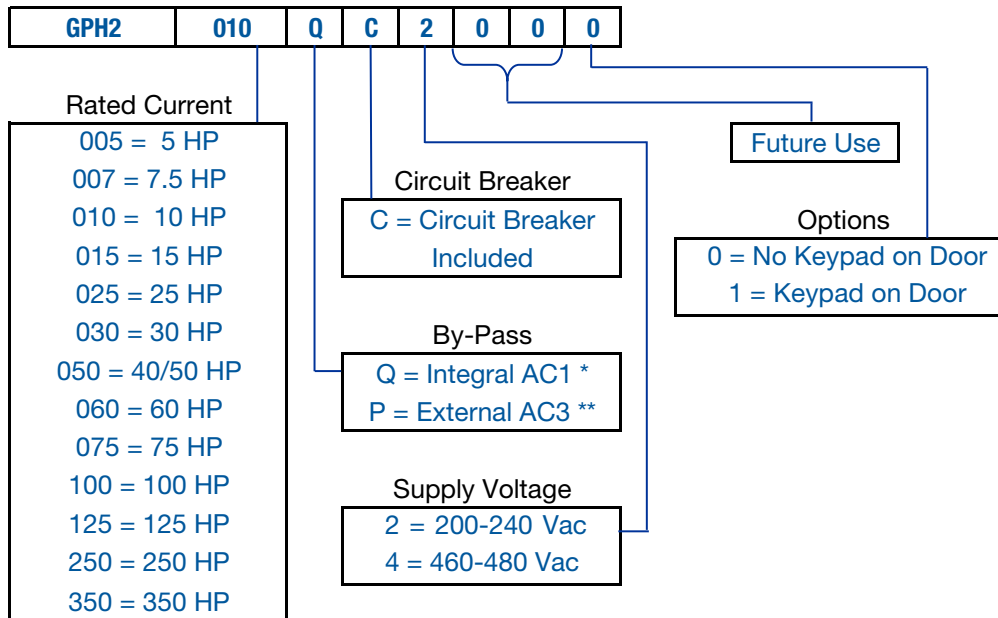
- Centrifugal Pumps
- Screw Compressors
- Centrifugal Fans
- Wood Chipper
- Veneer Lathe
- Saw
- Conveyor

### Optional Features

- AC3 by-pass contactor and DOL Selector Switch
- Door mounted keypad
- 575V AC Supply
- SUSE Service Entrance Rated

*GPH2 panels highlighted in GREEN on pages #140, 141, 142 & 143 represent panels that are normally kept in stock.*

### GPH2 Catalog Number Sequence



\* Bypass Contactor is 'Run Rated' and is integral to the soft starter

\*\* Bypass Contactor is 'Full Rated' and mounted adjacent the soft starter inside the panel.

Table intended as reference only and not to create part numbers.

## GPH2

NEMA 4 Enclosure (Standard Version – with Circuit Breaker, Integral AC1 By-Pass and no Keypad on Door)

Motor Voltage	Motor HP <sup>1</sup>	Starter Amps <sup>2</sup>	Catalog Number	Frame Size	Approx. Weight <sup>4</sup> (lbs.)	List Price	Multiplier New (Old)
230 Vac	Input Power Supply: Three-Phase 200-240 Vac						
	5	17	GPH2005QC2000	1	140	\$3,650	E1G (E1)
	7.5	24	GPH2007QC2000	1	140	\$3,750	E1G (E1)
	10	30	GPH2010QC2000	1	140	\$3,900	E1G (E1)
	15	45	GPH2015QC2000	2	150	\$4,300	E1G (E1)
	25	61	GPH2025QC2000	2	150	\$4,800	E1G (E1)
	30	85	GPH2030QC2000	2	150	\$5,800	E1G (E1)
	50	130	GPH2050QC2000	3	280	\$6,990	E1G (E1)
	60	171	GPH2060QC2000	3	280	\$7,500	E1G (E1)
	75	200	GPH2075QC2000	3	280	\$8,450	E1G (E1)
	100	255	GPH2100QC2000	4	415	\$10,700	E1G (E1)
	125	312	GPH2125QC2000	4	415	\$11,880	E1G (E1)
	150	365	GPH2150QC2000	5	610	\$12,700	E1G (E1)
	175	412	GPH2175QC2000	5	610	\$14,500	E1G (E1)
	460 Vac	Input Power Supply: Three-Phase 460-480 Vac					
10		17	GPH2010QC4000	1	140	\$3,650	E1G (E1)
15		24	GPH2015QC4000	1	140	\$3,750	E1G (E1)
20		30	GPH2020QC4000	1	140	\$3,900	E1G (E1)
30		45	GPH2030QC4000	2	150	\$4,300	E1G (E1)
40 / 50		61	GPH2050QC4000	2	150	\$4,800	E1G (E1)
75		85	GPH2075QC4000	2	150	\$5,800	E1G (E1)
100		130	GPH2100QC4000	3	280	\$6,990	E1G (E1)
125		171	GPH2125QC4000	3	280	\$7,500	E1G (E1)
150		200	GPH2150QC4000	3	280	\$8,450	E1G (E1)
200		255	GPH2200QC4000	4	415	\$10,700	E1G (E1)
250		312	GPH2250QC4000	4	415	\$11,880	E1G (E1)
300		365	GPH2300QC4000	5	610	\$12,700	E1G (E1)
350		412	GPH2350QC4000	5	610	\$14,500	E1G (E1)

**NOTES:**

- 1) "HP" rating based on FLA values from WEG W22, 2 and 4 pole, NEMA Premium motors.
- 2) Motor FLA may vary with speed and manufacturer. ALWAYS compare motor FLA to Nominal AMPS of the starter.
- 3) For other technical data please refer to WEG product manual.
- 4) Dimensions and weights are for estimating purposes only. Only use "AS BUILT" drawings for construction.

GPH2 panels highlighted in GREEN represent panels that are normally kept in stock.

## NEMA 4 Enclosure (with Circuit Breaker, Integral AC1 By-Pass and Keypad on Door)

Motor Voltage	Motor HP <sup>1</sup>	Starter Amps <sup>2</sup>	Catalog Number	Frame Size	Approx. Weight <sup>4</sup> (lbs.)	List Price	Multiplier New (Old)
230 Vac	Input Power Supply: Three-Phase 200-240 Vac						
	5	17	<b>GPH2005QC2001</b>	1	140	<b>\$4,145</b>	E1G (E1)
	7.5	24	<b>GPH2007QC2001</b>	1	140	<b>\$4,245</b>	E1G (E1)
	10	30	<b>GPH2010QC2001</b>	1	140	<b>\$4,395</b>	E1G (E1)
	15	45	<b>GPH2015QC2001</b>	2	150	<b>\$4,795</b>	E1G (E1)
	25	61	<b>GPH2025QC2001</b>	2	150	<b>\$5,295</b>	E1G (E1)
	30	85	<b>GPH2030QC2001</b>	2	150	<b>\$6,295</b>	E1G (E1)
	50	130	<b>GPH2050QC2001</b>	3	280	<b>\$7,485</b>	E1G (E1)
	60	171	<b>GPH2060QC2001</b>	3	280	<b>\$7,995</b>	E1G (E1)
	75	200	<b>GPH2075QC2001</b>	3	280	<b>\$8,945</b>	E1G (E1)
	100	255	<b>GPH2100QC2001</b>	4	415	<b>\$11,195</b>	E1G (E1)
	125	312	<b>GPH2125QC2001</b>	4	415	<b>\$12,375</b>	E1G (E1)
	150	365	<b>GPH2150QC2001</b>	5	610	<b>\$13,195</b>	E1G (E1)
	175	412	<b>GPH2175QC2001</b>	5	610	<b>\$14,995</b>	E1G (E1)
	460 Vac	Input Power Supply: Three-Phase 460-480 Vac					
10		17	<b>GPH2010QC4001</b>	1	140	<b>\$4,145</b>	E1G (E1)
15		24	<b>GPH2015QC4001</b>	1	140	<b>\$4,245</b>	E1G (E1)
20		30	<b>GPH2020QC4001</b>	1	140	<b>\$4,395</b>	E1G (E1)
30		45	<b>GPH2030QC4001</b>	2	150	<b>\$4,795</b>	E1G (E1)
40 / 50		61	<b>GPH2050QC4001</b>	2	150	<b>\$5,295</b>	E1G (E1)
75		85	<b>GPH2075QC4001</b>	2	150	<b>\$6,295</b>	E1G (E1)
100		130	<b>GPH2100QC4001</b>	3	280	<b>\$7,485</b>	E1G (E1)
125		171	<b>GPH2125QC4001</b>	3	280	<b>\$7,995</b>	E1G (E1)
150		200	<b>GPH2150QC4001</b>	3	280	<b>\$8,945</b>	E1G (E1)
200		255	<b>GPH2200QC4001</b>	4	415	<b>\$11,195</b>	E1G (E1)
250		312	<b>GPH2250QC4001</b>	4	415	<b>\$12,375</b>	E1G (E1)
300		365	<b>GPH2300QC4001</b>	5	610	<b>\$13,195</b>	E1G (E1)
350		412	<b>GPH2350QC4001</b>	5	610	<b>\$14,995</b>	E1G (E1)

## NOTES:

- 1) "HP" rating based on FLA values from WEG W22, 2 and 4 pole, NEMA Premium motors.
  - 2) Motor FLA may vary with speed and manufacturer. ALWAYS compare motor FLA to Nominal AMPS of the starter.
  - 3) For other technical data please refer to WEG product manual.
  - 4) Dimensions and weights are for estimating purposes only. Only use "AS BUILT" drawings for construction.
- GPH2 panels highlighted in GREEN represent panels that are normally kept in stock.**

## GPH2

NEMA 4 Enclosure (with Circuit Breaker, External AC3 By-Pass and no Keypad on Door)

Motor Voltage	Motor HP <sup>1</sup>	Starter Amps <sup>2</sup>	Catalog Number	Frame Size	Approx. Weight <sup>4</sup> (lbs.)	List Price	Multiplier New (Old)
230 Vac	Input Power Supply: Three-Phase 200-240 Vac						
	5	17	<b>GPH2005PC2000</b>	1	140	<b>\$3,900</b>	E1G (E1)
	7.5	24	<b>GPH2007PC2000</b>	1	140	<b>\$4,032</b>	E1G (E1)
	10	30	<b>GPH2010PC2000</b>	1	140	<b>\$4,243</b>	E1G (E1)
	15	45	<b>GPH2015PC2000</b>	2	150	<b>\$4,865</b>	E1G (E1)
	25	61	<b>GPH2025PC2000</b>	2	150	<b>\$5,412</b>	E1G (E1)
	30	85	<b>GPH2030PC2000</b>	2	150	<b>\$6,585</b>	E1G (E1)
	50	130	<b>GPH2050PC2000</b>	3	280	<b>\$8,260</b>	E1G (E1)
	60	171	<b>GPH2060PC2000</b>	3	280	<b>\$9,013</b>	E1G (E1)
	75	200	<b>GPH2075PC2000</b>	3	280	<b>\$10,350</b>	E1G (E1)
	100	255	<b>GPH2100PC2000</b>	4	415	<b>\$12,965</b>	E1G (E1)
	125	312	<b>GPH2125PC2000</b>	4	415	<b>\$14,847</b>	E1G (E1)
	150	365	<b>GPH2150PC2000</b>	5	610	<b>\$15,706</b>	E1G (E1)
	175	412	<b>GPH2175PC2000</b>	5	610	<b>\$21,075</b>	E1G (E1)
	460 Vac	Input Power Supply: Three-Phase 460-480 Vac					
10		17	<b>GPH2010PC4000</b>	1	140	<b>\$3,900</b>	E1G (E1)
15		24	<b>GPH2015PC4000</b>	1	140	<b>\$4,032</b>	E1G (E1)
20		30	<b>GPH2020PC4000</b>	1	140	<b>\$4,243</b>	E1G (E1)
30		45	<b>GPH2030PC4000</b>	2	150	<b>\$4,865</b>	E1G (E1)
40 / 50		61	<b>GPH2050PC4000</b>	2	150	<b>\$5,412</b>	E1G (E1)
75		85	<b>GPH2075PC4000</b>	2	150	<b>\$6,585</b>	E1G (E1)
100		130	<b>GPH2100PC4000</b>	3	280	<b>\$8,260</b>	E1G (E1)
125		171	<b>GPH2125PC4000</b>	3	280	<b>\$9,013</b>	E1G (E1)
150		200	<b>GPH2150PC4000</b>	3	280	<b>\$10,350</b>	E1G (E1)
200		255	<b>GPH2200PC4000</b>	4	415	<b>\$12,965</b>	E1G (E1)
250		312	<b>GPH2250PC4000</b>	4	415	<b>\$14,847</b>	E1G (E1)
300		365	<b>GPH2300PC4000</b>	5	610	<b>\$15,706</b>	E1G (E1)
350		412	<b>GPH2350PC4000</b>	5	610	<b>\$21,075</b>	E1G (E1)

**NOTES:**

- 1) "HP" rating based on FLA values from WEG W22, 2 and 4 pole, NEMA Premium motors.
- 2) Motor FLA may vary with speed and manufacturer. ALWAYS compare motor FLA to Nominal AMPS of the starter.
- 3) For other technical data please refer to WEG product manual.
- 4) Dimensions and weights are for estimating purposes only. Only use "AS BUILT" drawings for construction.

**GPH2 panels highlighted in GREEN represent panels that are normally kept in stock.**

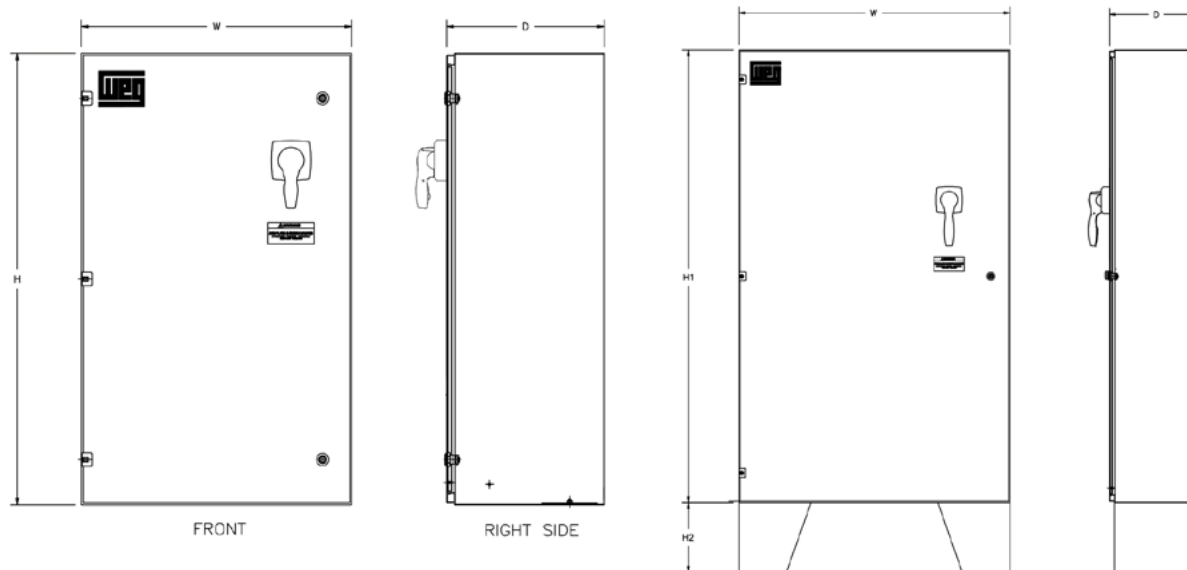
## NEMA 4 Enclosure (with Circuit Breaker, External AC3 By-Pass and Keypad on Door)

Motor Voltage	Motor HP <sup>1</sup>	Starter Amps <sup>2</sup>	Catalog Number	Frame Size	Approx. Weight <sup>4</sup> (lbs.)	List Price	Multiplier New (Old)	
230 Vac	Input Power Supply: Three-Phase 200-240 Vac							
	5	17	<b>GPH2005PC2001</b>	1	140	<b>\$4,395</b>	E1G (E1)	
	7.5	24	<b>GPH2007PC2001</b>	1	140	<b>\$4,527</b>	E1G (E1)	
	10	30	<b>GPH2010PC2001</b>	1	140	<b>\$4,738</b>	E1G (E1)	
	15	45	<b>GPH2015PC2001</b>	2	150	<b>\$5,360</b>	E1G (E1)	
	25	61	<b>GPH2025PC2001</b>	2	150	<b>\$5,907</b>	E1G (E1)	
	30	85	<b>GPH2030PC2001</b>	2	150	<b>\$7,080</b>	E1G (E1)	
	50	130	<b>GPH2050PC2001</b>	3	280	<b>\$8,755</b>	E1G (E1)	
	60	171	<b>GPH2060PC2001</b>	3	280	<b>\$9,508</b>	E1G (E1)	
	75	200	<b>GPH2075PC2001</b>	3	280	<b>\$10,845</b>	E1G (E1)	
	100	255	<b>GPH2100PC2001</b>	4	415	<b>\$13,460</b>	E1G (E1)	
	125	312	<b>GPH2125PC2001</b>	4	415	<b>\$15,342</b>	E1G (E1)	
	150	365	<b>GPH2150PC2001</b>	5	610	<b>\$16,201</b>	E1G (E1)	
	175	412	<b>GPH2175PC2001</b>	5	610	<b>\$21,570</b>	E1G (E1)	
	460 Vac	Input Power Supply: Three-Phase 460-480 Vac						
		10	17	<b>GPH2010PC4001</b>	1	140	<b>\$4,395</b>	E1G (E1)
15		24	<b>GPH2015PC4001</b>	1	140	<b>\$4,527</b>	E1G (E1)	
20		30	<b>GPH2020PC4001</b>	1	140	<b>\$4,738</b>	E1G (E1)	
30		45	<b>GPH2030PC4001</b>	2	150	<b>\$5,360</b>	E1G (E1)	
40 / 50		61	<b>GPH2050PC4001</b>	2	150	<b>\$5,907</b>	E1G (E1)	
75		85	<b>GPH2075PC4001</b>	2	150	<b>\$7,080</b>	E1G (E1)	
100		130	<b>GPH2100PC4001</b>	3	280	<b>\$8,755</b>	E1G (E1)	
125		171	<b>GPH2125PC4001</b>	3	280	<b>\$9,508</b>	E1G (E1)	
150		200	<b>GPH2150PC4001</b>	3	280	<b>\$10,845</b>	E1G (E1)	
200		255	<b>GPH2200PC4001</b>	4	415	<b>\$13,460</b>	E1G (E1)	
250		312	<b>GPH2250PC4001</b>	4	415	<b>\$15,342</b>	E1G (E1)	
300		365	<b>GPH2300PC4001</b>	5	610	<b>\$16,201</b>	E1G (E1)	
350		412	<b>GPH2350PC4001</b>	5	610	<b>\$21,570</b>	E1G (E1)	

## NOTES:

- 1) "HP" rating based on FLA values from WEG W22, 2 and 4 pole, NEMA Premium motors.
  - 2) Motor FLA may vary with speed and manufacturer. ALWAYS compare motor FLA to Nominal AMPS of the starter.
  - 3) For other technical data please refer to WEG product manual.
  - 4) Dimensions and weights are for estimating purposes only. Only use "AS BUILT" drawings for construction.
- GPH2 panels highlighted in GREEN represent panels that are normally kept in stock.***

## GPH2



Frame Sizes 1-4

Frame Size 5

### GPH Dimensions

Frame	W	D	H/H1	H2	Approx. Weight (lbs)
1	16	8	24	N/A	140
2	24	12	32	N/A	150
3	24	14	40	N/A	280
4	32	16	48	N/A	415
5	36	16	60	12	610

NOTES: H1 + H2 = overall height





## APS9 (All Purpose Soft Starter Panel)

The WEG All Purpose Soft Starter (APS9) is designed to meet a wide range of soft starting application needs, having ratings for both the most demanding Heavy Duty (HD) applications and standard Normal Duty (ND) applications. The 1.15 service factor and 65kaic interrupting rating coupled with an outdoor friendly heavy duty, white, UL Type 12/3R/4 enclosure, make the APS9 suitable to install anywhere, indoor or outdoor, including wash down locations. The full start rated (AC3) bypass starter provides direct on-line starting in emergency situations. The full suite of door operators, and Bluetooth keypad provides all the options you will need to meet any control situation. From rock crushers to irrigation pumps, the APS9 is your one solution for all critical starting applications.

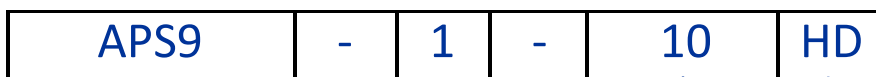


### Standard Features

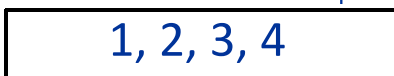
- Built with WEG Next generation new SSW900 soft starter.
- Rated for 65KA SCCR as a standard.
- Input voltage: 208/230/460VAC. (460VAC as a standard. CPT wiring modification needed for 208 or 230VAC input voltage).
- Dual duty rated soft starter panel, unique concept in the market:
  - Normal Duty: 350% for 30s. 1.00 SF.
  - Heavy Duty: 450% for 30s. 1.15 SF.
- UL 3R/4/12 rated White heavy duty rated enclosure suitable for dusty, wet or outdoor applications.
- Narrow design requires less space, floor mounting of enclosure available with optional leg kit.
- Main 65KA rated Circuit Breaker with through the door rotary handle.
- Service Entrance Rated.
- Full HP rated AC3 emergency bypass contactor with Class-30 overload relay helps to start and run the motor across the line in case of soft starter failure.
  - “Soft Starter-off-Bypass” selector switch mounted inside an enclosure.
- Fused Control Power Transformer (208/230/460VAC - 120VAC).
- Electronic circuit board with wire harnesses to replace most of the control wiring; makes it easier and faster to replace the components.
- Termination for customer supplied remote Start/Stop & External interlock dry contacts.
- “Motor running” and “system fault” dry contacts available for customer use.
- Enclosure door mounted:
  - SSW900 Soft starter graphical keypad with RTC, “Help” Menu, USB port & built-in Bluetooth (Bluetooth allows easy programming & monitoring of SSW900 using Cell phone app “WEG WPS”)
  - “Hand-Off-Auto” Selector switch.
  - “Start” illuminated (Run light) PB, “Stop” PB, E-stop PB, “SSW Reset” Illuminated (System Fault light) PB.
- Power On, Bypass Enabled & External interlock disabled Pilot lights.

***APS9 panels highlighted in GREEN on page #148 represent panels that are normally kept in stock.***

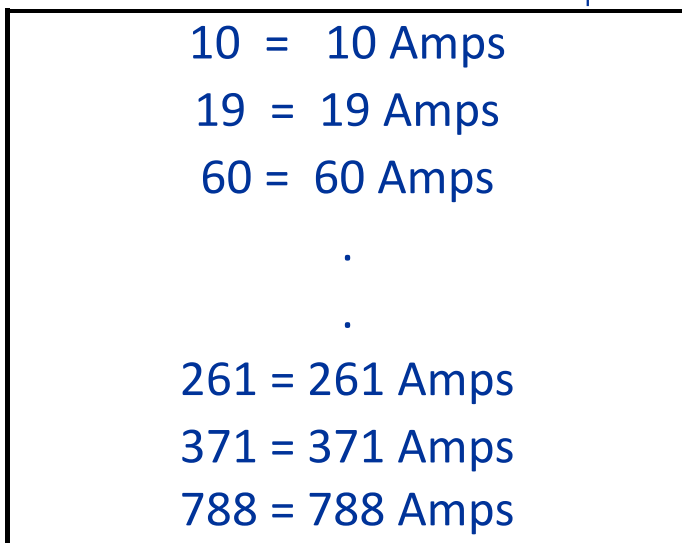
### APS9 Catalog Number Sequence



Encl. Frame



Max. HD Motor FLA



Duty Cycle



## APS9 - All Purpose Soft Starter Panel

### UL TYPE 12/3R/4 Enclosure

HEAVY DUTY (H.D.) <sup>1</sup> - 1.15 SF 450% FLA for 30 Seconds				NORMAL DUTY (N.D.) <sup>2</sup> - 1.00 SF 350% FLA for 30 Seconds				Catalog Number	Enclosure Frame	Approx. Weight (Lb)	List Price	Multiplier	
H.D.-MAX. MOTOR FLA	MOTOR HP <sup>3</sup>			N.D.-MAX. MOTOR FLA	MOTOR HP <sup>3</sup>								
	460VAC	230VAC	208VAC		460VAC	230VAC	208VAC						
10	5	3	2	10	5	3	2	APS9-1-10HD	1	150	\$10,775	K2	
19	10	5	5	22	15	7.5	5	APS9-1-19HD		150	\$10,950	K2	
31	20	10	10	40	30	10	10	APS9-1-31HD		155	\$11,325	K2	
43	30	15	10	55	40	20	15	APS9-1-43HD		155	\$11,495	K2	
60	40	20	20	77	60	25	25	APS9-1-60HD		155	\$11,950	K2	
77	60	25	25	97	75	30	30	APS9-1-77HD		155	\$12,250	K2	
96	75	30	30	120	100	40	40	APS9-1-96HD		155	\$13,575	K2	
125	100	40	40	161	125	60	50	APS9-1-125HD		175	\$14,250	K2	
156	125	60	50	180	150	60	60	APS9-2-156HD		2	210	\$15,475	K2
185	150	60	60	238	200	75	75	APS9-2-185HD			230	\$16,650	K2
261	200	100	75	300	250	100	100	APS9-3-261HD	3	275	\$20,500	K2	
302	250	100	100	383	300	150	125	APS9-3-302HD		310	\$22,875	K2	
371	300	150	125	477	400	150	150	APS9-3-371HD <sup>4</sup>		360	\$27,075	K2	
481	400	200	150	619	500	250	200	APS9-4-481HD	4	975	\$34,950	K2	
551	450	200	200	708	600	250	-	APS9-4-551HD		975	\$38,975	K2	
616	500	250	-	792	700	300	-	APS9-4-616HD		1060	\$43,650	K2	
788	700	300	-	960	800	400	-	APS9-4-788HD		1060	\$55,150	K2	

**NOTES:**

1) H.D. = Heavy Duty (450% for 30s), 1.15 S.F. Application Example Crusher, Conveyor, Shredder, Chipper, Ball/Hammer Mil etc.

2) N.D. = Normal Duty (350% for 30s), 1.0 S.F.

3) The above "HP" ratings are based on motor FLAs as listed in NEC Table 430-150. Please select the APS9 panel by comparing actual motor FLA with "Max. Motor FLA" for a given voltage & application type (H.D./N.D.).

4) All APS9 panels are rated for 65KA SCCR except "APS9-3-371HD" which is rated for 18KA SCCR. This model will be upgraded to 65KA SCCR soon.

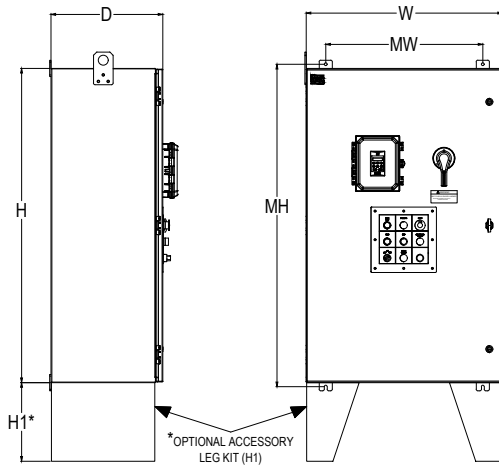
**APS9 panels highlighted in GREEN represent panels that are normally kept in stock.**

## Accessories

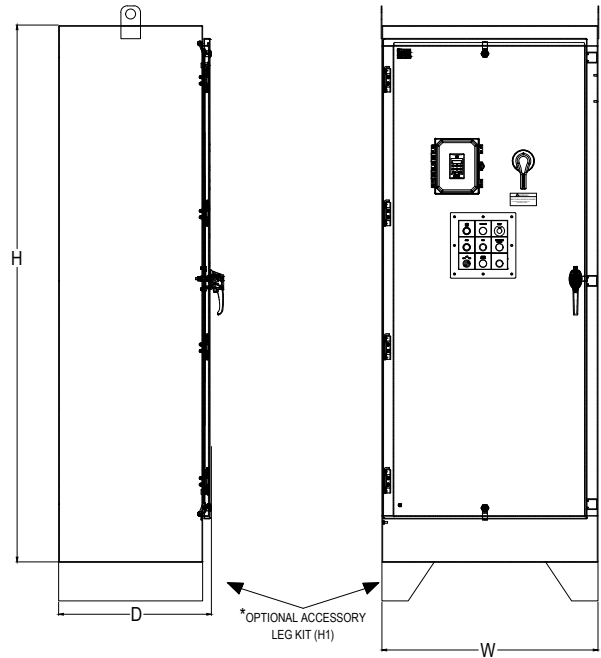
Type	Catalog Number	Description	List Price	Multiplier
Leg kit for floor mounting	WENCL-ESL16-06-00	6" Tall Leg kit for APS9 enclosure frame-1 or 3, supplied loose	\$525	K2
	WENCL-ESL18-06-00	6" Tall Leg kit for APS9 enclosure frame-2, supplied loose	\$550	K2
	WENCL-ESL22-06-00	6" Tall Leg kit for APS9 enclosure frame-4, supplied loose	\$609	K2
	WENCL-ESL16-12-00	12" Tall Leg kit for APS9 enclosure frame-1 or 3, supplied loose	\$690	K2
	WENCL-ESL18-12-00	12" Tall Leg kit for APS9 enclosure frame-2, supplied loose	\$730	K2

### APS9 ENCLOSURE FRAME SIZE:

Enclosure Frame: 1, 2 & 3



Enclosure Frame: 4



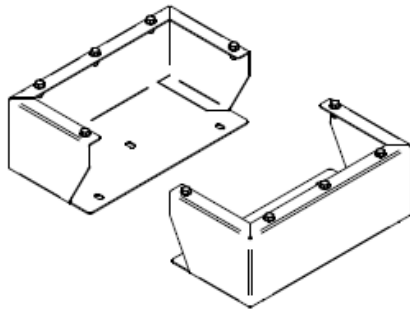
ENCL. FRAME	W (in)	D (in)	H (in)	H1* (in)	MH (in)	MW (in)	MOUNTING
1	20	16	32	6/12	33.25	14	Wall (Floor with optional 6" or 12" tall floor kit)
2	24	18	37	6/12	38.25	18	
3	30	16	48	6/12	49.25	24	
4	33	22	82	6	-	-	Free Standing

\* Optional Leg Kit Accessory 6" or 12" Tall

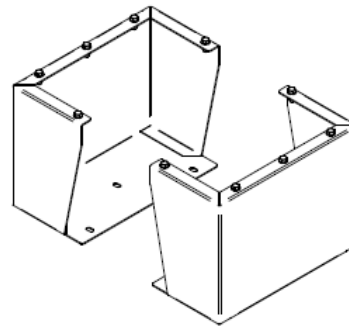
## APS9 - All Purpose Soft Starter Panel

### Optional Accessories - Leg Kits

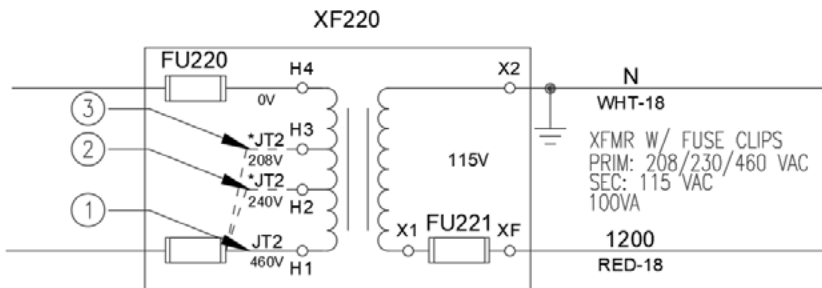
6" Tall Leg Kit



12" Tall Leg Kit



### Conversion from 3/460VAC to 3/230VAC or 3/208VAC Supply Voltage:



**NOTE:** CONTROL POWER TRANSFORMER IS CONFIGURED FROM FACTORY AS 460-480V INPUT SUPPLY VOLTAGE.

CUSTOMER **MUST** RECONFIGURE FOR 208V OR 230-240V INPUT SUPPLY VOLTAGE BY RETERMINATING XF220 JUMPER 'JT2' ONTO COORESPONDING PIN.

\*SEE TRANSFORMER CONFIGURATION TABLE\*

*TRANSFORMER CONFIGURATION TABLE*			200VA FUSE SIZE	
	XF220 INPUT SUPPLY VOLTAGE	JT2* WIRING PIN	*FU220 (CC)	**FU221 (MIDGET)
			①	460 VAC (DEFAULT)
②	230 VAC	H2		
③	208 VAC	H3		

- INDEX
- WARRANTY INFO
- CFW100
- CFW300
- CFW320
- CFW500 G2
- CFW11
- CFW900
- CFW11M
- CFW501
- PUMP GENIUS
- REACTORS
- SSW05
- SSW07
- SSW900
- SSW7000
- EDP11
- GPH2
- APSS9
- MFM

**NOTES:**

---

---

---

---

---

---

---

---

---

---

---

---

---

---

---

---

---

---

---

---

---

---

---

---

---

---

---

---

---

---

# WEG Motion Fleet Management

## Condition Monitoring of the fleet

Developed to bring more practicality and agility in the operation, maintenance and management of industrial plants, the WEG Motion Fleet Management is the ideal solution to monitor and raise the availability of the industrial fleet. Based on “cloud computing” technology, asset monitoring can be followed at any time and from anywhere in the world.

Diagnostics & Integration

**Specialist**  
Advanced diagnostics algorithms for failures and consumption analysis

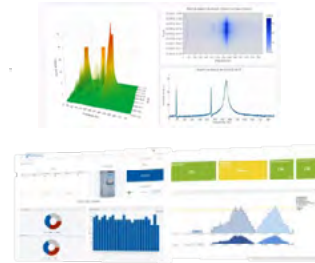


**Exchange**  
Integration with third party systems and platforms via REST API



Application & Management

**Management**  
Asset monitoring and management. Data storage, maintenance notifications, reports, intuitive dashboard...



WEGscans & Gateways



WEGscan & Gateway



WEGscan 1000 & 1001



WEGscan 4000

Assets





# WEG Motion Fleet Management

With WEG Motion Fleet Management it is possible to know the operational status of electric motors, low and medium voltage variable speed drive and soft-starters, smart relay starting WEG(SRW), gearboxes, gearmotors, compressors, among other assets, which are applied in any type of industry or installation. Through periodic data collection and advanced data processing, both at the edge and in the cloud, valuable insights are generated. This way, it is possible to establish predictive maintenance plans, observing the operational condition of the fleet (condition-based maintenance). This approach reduces the number of unplanned stops, optimizes repair actions, and speeds up the decision-making process for the operation and maintenance team. The result is increased availability and reduced total cost of ownership (TCO) of the drive fleet.

## Main features of WEG MFM Solution

- Dedicated and robust hardware for data acquisition;
- Data processing at the edge and in the cloud;
- Periodic fleet reports;
- Creation and management of maintenance orders;
- Asset prioritization tool;
- Specialist Modules with Analytics and Artificial Intelligence for fault diagnosis;
- Exchange modules for data integration with other platforms (via Web Service REST).

## Advantages and Benefits of the WMFM Solution

- Monitoring of several assets and plants in a single environment;
- Ecosystem in constant development, both hardware and software;
- Fleet management view with reports and indicators;
- Ready-to-use solution, just register the WEG Scans in the application and use it;
- Customized layouts for navigation at various levels (geolocation, site, plant, device);
- Definition of favorite assets for easy tracking of their status; Daily notifications of assets in alert and/or critical state (via e-mail);
- Customization of tolerances to generate alerts and notifications;
- Enables maintenance management based on the operational condition of the assets;
- Dashboards with indicators, graphics, and history of measured data;
- Screens for user and subscription management;
- Flexible solution available to service providers;
- Operational cost reduction (TCO, Total Cost of Ownership);
- Multi-language application.

## Weg Motion Fleet Management Sensors and Accessories

Catalog Number	Mat. #	Description	List Price	Multiplier
<b>SENSOR</b>				
<b>WMSC-1-MFM-M</b> <sup>1</sup>	15710102	WEG Motor Scan Sensor with 1 year of Management Subscription	<b>\$380</b>	E4
<b>WMSC-1-MFM-S</b>	15956243	WEG Motor Scan Sensor with 1 year of Management & Specialist Subscriptions	<b>\$380</b>	E4
<b>WMSC-2-MFM-S</b>	16115533	WEG Motor Scan Sensor with 2 year of Management & Specialist Subscriptions	<b>\$580</b>	E4
<b>WEGSCAN 100-1-MFM-S</b>	16437262	WEGscan 100 Sensor with 1 year of Management & Specialist Subscriptions (Gen-2 Product)	<b>\$450</b>	E4
<b>WEGSCAN 101-1-MFM-S</b>	16437478	WEGscan 101 Sensor with 1 year of Management and Specialist Subscriptions, external 10-24 Vdc/ac power operated (Gen-2 Product)	<b>\$450</b>	E4
<b>ED300-DSL-2P2SE-W-POE</b>	15474014	WEGscan 1000 with 1 year of Management Subscription for WEG LV Drives & soft starters: CFW100/300/500/11; SSW900 <b>NOTE:</b> 1 year of Management Subscriptions for 10 WEG LV Drives/Soft starters included. Up to 20 WEG LV Drives/soft starters can be connected, 10 via RS485 - Modbus RTU & and 10 via Modbus TCP.	<b>\$2,390</b>	E4
<b>ED300-DSMV-2P2SE-W-POE</b>	15474012	WEGscan 1001 with 1 year of Management Subscription for WEG MV Drives & soft starters: MVW01/3000; SSW7000 <b>NOTE:</b> 1 year of Management Subscriptions for 5 WEG MV Drives/Soft starters included. Up to 10 WEG MV Drives/soft starters can be connected, 5 via RS485 - Modbus RTU & and 5 via Modbus TCP.	<b>\$2,390</b>	E4
<b>GATEWAY</b>				
<b>MOTOR-SCAN GATEWAY</b> <sup>2</sup>	15823501	Motor Scan Gateway, X1000	<b>\$2,430</b>	E4
<b>CASSIA X2000</b>	16214567	Gateway for WEGscan 100 / WEG Motor Scan (Gen-2 Product)	<b>\$3,495</b>	E4
<b>SENSOR ACCESSORIES</b>				
<b>FIXING KIT WMS-50</b>	16280148	Intermediate base to affix WEG Motor Scan onto asset surface, a pack of 50 pcs	<b>\$505</b>	E4
<b>FIXING KIT WEGSCAN 100</b>	17197894	Intermediate base to affix WEGscan 100 onto asset surface, a pack of 50 pcs	<b>\$380</b>	E4
<b>BATTERY KIT WEGSCAN 100</b>	17197896	A pack of 20 pcs of WEGscan 100 batteries (Two batteries needed per WEGscan 100)	<b>\$370</b>	E4
<b>WEGSCAN-GLUE-GUN</b>	17625068	Glue Applicator Gun to glue the WEGscan 100/101 on the asset surface	<b>\$480</b>	E4
<b>PROTECTIVE-COVER</b>	17541794	A kit of 10 pcs of Silicone Protective Cover for WEGscan 100	<b>\$210</b>	E4
<b>CABLE M8-4P ST-F</b>	17526312	WEGscan 101 Power Supply Cable	<b>\$55</b>	E4

**NOTE:**

- 1) This sensor is no longer available. If not in stock, please use the same sensor with the Management & Specialist subscriptions, WMSC-1-MFM-S / WMSC-2-MFM-S, instead.
- 2) This Gateway is no longer available. If not in stock, please use the next-generation Gateway "CASSIA X2000" instead. It is compatible with WEG Motor Scan and WEGscan 100.



(WEG Motor Scan)  
WMSC-1MFM-M



(WEGscan 100)  
WEGSCAN 100-1-MFM-S



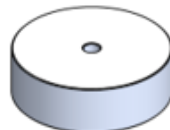
(WEGscan 1000 / 1001)  
(LV/MV Drive Scan)  
ED300-DSL-2P2SE-W-POE  
ED300-DSMV-2P2SE-W-POE



(GATEWAY)  
CASSIA X2000



FIXING KIT WMS-50  
(One piece shown)



FIXING KIT WEGSCAN 100  
(One piece shown)



BATTERY KIT WEGSCAN 100  
(One piece shown)

## WEG Motion Fleet Management Subscriptions

Catalog Number	Mat. #	Description	List Price	Multiplier
<b>MANAGEMENT SUBSCRIPTION</b>				
<b>WMF-MGMT-1-ASSET</b>	80002160	1 yr Management subscription for WEG Motor Scan & WEGScan 100	<b>\$192</b>	E4
<b>WMF-MGMT-2-ASSET</b>	80002169	2 yr Management subscription for WEG Motor Scan & WEGScan 100	<b>\$384</b>	E4
<b>WMF-MGMT-1-DRIVE LV</b>	80002209	1 yr Management subscription for WEG LV Drive Scan (WEGScan 1000)	<b>\$192</b>	E4
<b>WMF-MGMT-2-DRIVE LV</b>	80002210	2 yr Management subscription for WEG LV Drive Scan (WEGScan 1000)	<b>\$384</b>	E4
<b>WMF-MGMT-1-DRIVE MV</b>	80002219	1 yr Management subscription for WEG MV Drive Scan (WEGScan 1001)	<b>\$192</b>	E4
<b>WMF-MGMT-2-DRIVE MV</b>	80002220	2 yr Management subscription for WEG MV Drive Scan (WEGScan 1001)	<b>\$384</b>	E4
<b>SPECIALIST SUBSCRIPTION</b>				
<b>WMF-SPEC-1-MOTOR</b>	80002161	1 yr Specialist Module subscription for WEG Motor Scan / WEGScan 100	<b>\$78</b>	E4
<b>WMF-SPEC-2-MOTOR</b>	80002170	2 yr Specialist Module subscription for WEG Motor Scan / WEGScan 100	<b>\$156</b>	E4
<b>WMF-SPEC-1-DRIVE LV</b>	80002646	1 yr Specialist Module subscription for WEG LV Drive Scan (WEGScan 1000)	<b>\$78</b>	E4
<b>WMF-SPEC-2-DRIVE LV</b>	80002647	2 yr Specialist Module subscription for WEG LV Drive Scan (WEGScan 1000)	<b>\$156</b>	E4
<b>EXCHANGE SUBSCRIPTION</b>				
<b>WMF-EXCH-BASIC-1</b>	80002640	Basic Exchange Module subscription for MFM - 1 yr, 10,000 calls / Month	<b>\$1,377</b>	E4
<b>WMF-EXCH-BASIC-2</b>	80002643	Basic Exchange Module subscription for MFM - 2 yr, 10,000 calls / Month	<b>\$2,754</b>	E4
<b>WMF-EXCH-STANDARD-1</b>	80002641	Standard Exchange Module subscription for MFM - 1 yr, 50,000 calls / Month	<b>\$2,523</b>	E4
<b>WMF-EXCH-STANDARD-2</b>	80002644	Standard Exchange Module subscription for MFM - 2 yr, 50,000 calls / Month	<b>\$5,046</b>	E4
<b>WMF-EXCH-PLUS-1</b>	80002642	Exchange Plus Module subscription for MFM - 1 yr, 100,000 calls / Month	<b>\$3,785</b>	E4
<b>WMF-EXCH-PLUS-2</b>	80002645	Exchange Plus Module subscription for MFM - 2 yr, 100,000 calls / Month	<b>\$7,570</b>	E4



CFW10 IP20 Enclosure → Replace with → CFW100 IP20 Enclosure

Motor Voltage	Motor HP <sup>1</sup>	Drive Amps <sup>2</sup>	CFW10 Catalog Number	Braking Transistor	Drive Amps <sup>2</sup>	CFW100 Catalog Number	Braking Transistor	List Price	Multiplier New (Old)	
230 Vac Three Phase	<b>Input Power Supply: Single-Phase 230 Vac</b>									
	1/4	1.6	CFW100016SDZ	No	1.6	CFW100A01P6S220G2	No	\$302	V1U (V1)	
	1/2	2.6	CFW100026SDZ	No	2.6	CFW100B02P6S220G2	No	\$346	V1U (V1)	
	1	4.0	CFW100040SDZ	No	4.2	CFW100C04P2S220G2	No	\$396	V1U (V1)	
	2	7.3	CFW100073SDZ	Yes	See CFW300 Cross Reference					
	3	10.0	CFW100100SDZ	Yes	See CFW300 Cross Reference					
	1/4	1.6	CFW100016SDPLZ	No	1.6	CFW100C04P2S220G2 <sup>3</sup>	No	\$302	V1U (V1)	
	1/2	2.6	CFW100026SDPLZ	No	2.6	CFW100B02P6S220G2 <sup>3</sup>	No	\$346	V1U (V1)	
	1	4.0	CFW100040SDPLZ	No	4.2	CFW100C04P2S220G2 <sup>3</sup>	No	\$396	V1U (V1)	
	2	7.3	CFW100073SDPLZ	Yes	See CFW300 Cross Reference					
	3	10.0	CFW100100SDPLZ	Yes	See CFW300 Cross Reference					

NOTES:

- 1) "HP" rating based on "average FLA values". Use as a guide only.
  - 2) Motor FLA may vary with speed and manufacturer. ALWAYS compare motor FLA to Nominal AMPS of drive.
  - 3) CFW100 has an optional potentiometer available.
- For other technical data please refer to WEG product manual.

CFW10 IP20 Enclosure → Replace with → CFW320 IP20 Enclosure

Motor Voltage	Motor HP <sup>1</sup>	Drive Amps <sup>2</sup>	CFW10 Catalog Number	Braking Transistor	Drive Amps <sup>2</sup>	CFW320 Catalog Number	Braking Transistor	List Price	Multiplier New (Old)	
230 Vac Three Phase	<b>Input Power Supply: Single-Phase 120 Vac</b>									
	1/4	1.6	CFW100016SAZ	No	1.6	CFW320A01P6S1NB20	No	\$361	V1M (V1)	
	1/2	2.6	CFW100026SAZ	No	2.6	CFW320A02P6S1NB20	No	\$394	V1M (V1)	
	1	4.0	CFW100040SAZ	No	4.2	CFW320A04P2S1NB20	No	\$420	V1M (V1)	
	1/4	1.6	CFW100016SAPLZ	No	1.6	CFW320A01P6S1NB20 <sup>3</sup>	No	\$361	V1M (V1)	
	1/2	2.6	CFW100026SAPLZ	No	2.6	CFW320A02P6S1NB20 <sup>3</sup>	No	\$394	V1M (V1)	
	1	4.0	CFW100040SAPLZ	No	4.2	CFW320A04P2S1NB20 <sup>3</sup>	No	\$420	V1M (V1)	
	<b>Input Power Supply: Single-Phase 230 Vac</b>									
	1/4	1.6	CFW100016SDZ	No	1.6	CFW320A01P6S2NB20	No	\$323	V1M (V1)	
	1/2	2.6	CFW100026SDZ	No	2.6	CFW320A02P6S2NB20	No	\$348	V1M (V1)	
	1	4.0	CFW100040SDZ	No	4.2	CFW320A04P2S2NB20	No	\$371	V1M (V1)	
	2	7.3	CFW100073SDZ	Yes	7.3	CFW320A07P3S2NB20	No	\$543	V1M (V1)	
	3	10.0	CFW100100SDZ	Yes	10.0	CFW320B10POB2DB20	Yes	\$648	V1M (V1)	
	1/4	1.6	CFW100016SDPLZ	No	1.6	CFW320A01P6S2NB20 <sup>3</sup>	No	\$323	V1M (V1)	
	1/2	2.6	CFW100026SDPLZ	No	2.6	CFW320A02P6S2NB20 <sup>3</sup>	No	\$348	V1M (V1)	
	1	4.0	CFW100040SDPLZ	No	4.2	CFW320A04P2S2NB20 <sup>3</sup>	No	\$371	V1M (V1)	
	2	7.3	CFW100073SDPLZ	Yes	7.3	CFW320A07P3S2NB20 <sup>3</sup>	No	\$543	V1M (V1)	
	3	10.0	CFW100100SDPLZ	Yes	10.0	CFW320B10POB2DB20 <sup>3</sup>	Yes	\$648	V1M (V1)	

NOTES:

- 1) "HP" rating based on "average FLA values". Use as a guide only.
  - 2) Motor FLA may vary with speed and manufacturer. ALWAYS compare motor FLA to Nominal AMPS of drive.
  - 3) CFW320 has keypad speed adjustment in lieu of CFW10 with Potentiometer.
- For other technical data please refer to WEG product manual.

CFW300 Replace with CFW320  
 IP20 Enclosure IP20 Enclosure

Motor Voltage	Motor HP <sup>1</sup>	Drive Amps <sup>2</sup>	CFW300 Catalog Number	Braking Transistor		Drive Amps <sup>2</sup>	CFW320 Catalog Number <sup>3</sup>	Braking Transistor	List Price	Multiplier New (Old)	
3/230VAC	<b>Input Power Supply: Single-Phase 120 Vac</b>										
	1/4 or 1/3	1.6	CFW300A01P6S1NB20	No		1.6	CFW320A01P6S1NB20	No	\$361	V1M (V1)	
	3/4	2.6	CFW300A02P6S1NB20	No		2.6	CFW320A02P6S1NB20	No	\$394	V1M (V1)	
	1	4.2	CFW300A04P2S1NB20	No		4.2	CFW320A04P2S1NB20	No	\$420	V1M (V1)	
	2	6.0	CFW300A06P0S1NB20	No		6.0	CFW320A06P0S1NB20	No	\$507	V1M (V1)	
	<b>Input Power Supply: Single-Phase 230 Vac</b>										
	1/4 or 1/3	1.6	CFW300A01P6S2NB20	No		1.6	CFW320A01P6S2NB20	No	\$323	V1M (V1)	
	3/4	2.6	CFW300A02P6S2NB20	No		2.6	CFW320A02P6S2NB20	No	\$348	V1M (V1)	
	1	4.2	CFW300A04P2S2NB20	No		4.2	CFW320A04P2S2NB20	No	\$371	V1M (V1)	
	2	6.0	CFW300A06P0S2NB20	No		6.0	CFW320A06P0S2NB20	No	\$461	V1M (V1)	
	2	7.3	CFW300A07P3S2NB20	No		7.3	CFW320A07P3S2NB20	No	\$543	V1M (V1)	
	3	10.0	CFW300B10P0B2DB20	Yes		10.0	CFW320B10P0B2DB20	Yes	\$648	V1M (V1)	
	<b>Input Power Supply: Single-Phase 230 Vac</b>										
	1/4 or 1/3	1.6	CFW300A01P6T2NB20	No		1.6	CFW320A01P6T2NB20	No	\$343	V1M (V1)	
	3/4	2.6	CFW300A02P6T2NB20	No		2.6	CFW320A02P6T2NB20	No	\$376	V1M (V1)	
	1	4.2	CFW300A04P2T2NB20	No		4.2	CFW320A04P2T2NB20	No	\$399	V1M (V1)	
	2	6.0	CFW300A06P0T2NB20	No		6.0	CFW320A06P0T2NB20	No	\$484	V1M (V1)	
	2	7.3	CFW300A07P3T2NB20	No		7.3	CFW320A07P3T2NB20	No	\$571	V1M (V1)	
	3	10.0	CFW300B10P0B2DB20	Yes		10.0	CFW320B10P0B2DB20	Yes	\$648	V1M (V1)	
	5	15.2	CFW300B15P2T2DB20	Yes		15.2	CFW320B15P2T2DB20	Yes	\$792	V1M (V1)	

NOTES:

- 1) "HP" rating based on "average FLA values". Use as a guide only.
- 2) Motor FLA may vary with speed and manufacturer. ALWAYS compare motor FLA to Nominal AMPS of drive.
- 3) The CFW320 drive is a drop-in replacement for the corresponding CFW300 drive.



CFW08 Plus **→** Replace with **→** CFW500  
 NEMA 1 Enclosure (For NEMA1, Please use CFW500 NEMA1 kit with VFD)

Motor Voltage	Motor HP <sup>1</sup>	Drive Amps <sup>2</sup>	CFW08 Catalog Number	Braking Transistor		Drive Amps <sup>2</sup>	CFW500 Catalog Number	Braking Transistor	List Price	Multiplier New (Old)
<b>Input Power Supply: Three-Phase 230 Vac</b>										
230 Vac	1/4 - 1/3	1.6	CFW080016BDN1A1Z	No		1.6	CFW500A01P6B2NB20G2	No	\$456	V1G (V1)
	1/2	2.6	CFW080026BDN1A1Z	No		2.6	CFW500A02P6B2NB20G2	No	\$467	V1G (V1)
	1	4.0	CFW080040BDN1A1Z	No		4.3	CFW500A04P3B2NB20G2	No	\$506	V1G (V1)
	2	7.0	CFW080070TDN1A1Z	No		7.0	CFW500A07P0T2NB20G2	No	\$628	V1G (V1)
	2	7.3	CFW080073BDN1A1Z	Yes		7.3	CFW500B07P3B2DB20G2	Yes	\$678	V1G (V1)
	3	10	CFW080100BDN1A1Z	Yes		10	CFW500B10P0B2DB20G2	Yes	\$789	V1G (V1)
	5	16	CFW080160TDN1A1Z	Yes		16	CFW500B16P0T2DB20G2	Yes	\$842	V1G (V1)
	7 1/2	22	CFW080220TDN1A1Z	Yes		24	CFW500C24P0T2DB20G2	Yes	\$1,427	V1G (V1)
	10	28	CFW080280TDN1A1Z	Yes		28	CFW500D28P0T2DB20G2	Yes	\$1,777	V1G (V1)
						33	CFW500D33P0T2DB20G2	Yes	\$2,146	V1G (V1)
					47	CFW500D47P0T2DB20G2	Yes	\$2,910	V1G (V1)	
<b>Input Power Supply: Three-Phase 460 Vac</b>										
460 Vac	1/4 - 1/3	1.0	CFW080010TGN1A1Z	No		1.0	CFW500A01P0T4NB20G2	No	\$582	V1G (V1)
	3/4	1.6	CFW080016TGN1A1Z	No		1.6	CFW500A01P6T4NB20G2	No	\$604	V1G (V1)
	1	2.6	CFW080026TGN1A1Z	No		2.6	CFW500A02P6T4NB20G2	No	\$649	V1G (V1)
	1	2.7	CFW080027TGN1A1Z	Yes		2.6	CFW500B02P6T4DB20G2	Yes	\$708	V1G (V1)
	2	4.0	CFW080040TGN1A1Z	No		4.3	CFW500A04P3T4NB20G2	No	\$799	V1G (V1)
	2	4.3	CFW080043TGN1A1Z	Yes		4.3	CFW500B04P3T4DB20G2	Yes	\$892	V1G (V1)
	3	6.5	CFW080065TGN1A1Z	Yes		6.5	CFW500B06P5T4DB20G2	Yes	\$1,067	V1G (V1)
	5	10	CFW080100TGN1A1Z	Yes		10	CFW500B10P0T4DB20G2	Yes	\$1,207	V1G (V1)
	7 1/2	13	CFW080130TGN1A1Z	Yes		14	CFW500C14P0T4DB20G2	Yes	\$1,495	V1G (V1)
	10	16	CFW080160TGN1A1Z	Yes		16	CFW500C16P0T4DB20G2	Yes	\$1,684	V1G (V1)
	15	24	CFW080240TGN1A1Z	Yes		24	CFW500D24P0T4DB20G2	Yes	\$2,229	V1G (V1)
	20	30	CFW080300TGN1A1Z	Yes		31	CFW500D31P0T4DB20G2	Yes	\$2,783	V1G (V1)
	<b>Input Power Supply: Three-Phase 575 Vac</b>									
575 Vac <sup>4</sup>	1	1.7	CFW080017THN1A1Z	Yes		1.7	CFW500C01P7T5DB20	Yes	\$910	V1G (V1)
	2	3.0	CFW080030THN1A1Z	Yes		3.0	CFW500C03P0T5DB20	Yes	\$954	V1G (V1)
	3	4.3	CFW080043THN1A1Z	Yes		4.3	CFW500C04P3T5DB20	Yes	\$1,073	V1G (V1)
	5	7.0	CFW080070THN1A1Z	Yes		7.0	CFW500C07P0T5DB20	Yes	\$1,276	V1G (V1)
	7 1/2	10	CFW080100THN1A1Z	Yes		10	CFW500C10P0T5DB20	Yes	\$1,621	V1G (V1)
	10	12	CFW080120THN1A1Z	Yes		12	CFW500C12P0T5DB20	Yes	\$1,813	V1G (V1)

NOTES:

- 1) "HP" rating based on "average FLA values". Use as a guide only.
  - 2) Motor FLA may vary with speed and manufacturer. ALWAYS compare motor FLA to Nominal AMPS of drive.
  - 3) CFW08 Plus NEMA1 drives are non-stocked items. Consult WEG for availability.
  - 4) All 575 Vac drives are non-stocked items. Consult WEG for availability.
- For other technical data please refer to WEG product manual.

CFW09  
NEMA 1 Enclosure

→ Replace with

→ CFW11 (NEMA 1) Enclosure

Motor Voltage	ND / VT <sup>1</sup>		HD / CT <sup>1</sup>		CFW09 Catalog Number	Braking Transistor	ND / VT <sup>1</sup>	HD / CT <sup>1</sup>	CFW11 Catalog Number	Braking Transistor	List Price	Multiplier New (Old)
	Motor HP <sup>2</sup>	Drive Amps <sup>3</sup>	Motor HP <sup>2</sup>	Drive Amps <sup>3</sup>								
230 Vac	<b>Input Power Supply: Single or Three-Phase 200-240 Vac with Dynamic Braking Transistor</b>											
	1 1/2	6.0	1 1/2	6.0	CFW-090006TDZ	Yes	6.0	5.0	CFW110006B20N1Z	Yes	\$1,644	V1P (V1)
	2	7.0	2	7.0	CFW-090007TDZ	Yes	7.0	7.0	CFW110007B20N1Z	Yes	\$1,716	V1P (V1)
	<b>Input Power Supply: Three-Phase 200-240 Vac with Dynamic Braking Transistor</b>											
	3	10	3	10	CFW-090010TDZ	Yes	13	11	CFW110013T20N1Z	Yes	\$1,728	V1P (V1)
	3	13	3	13	CFW-090013TDZ	Yes	16	13	CFW110016T20N1Z	Yes	\$1,850	V1P (V1)
	5	16	5	16	CFW-090016TDZ	Yes	24	20	CFW110024T20N1Z	Yes	\$2,424	V1P (V1)
	7 1/2	24	7 1/2	24	CFW-090024TDZ	Yes	28	24	CFW110028T20N1Z	Yes	\$2,641	V1P (V1)
	10	28	10	28	CFW-090028TDZ	Yes	33.5	28	CFW110033T20N1Z	Yes	\$3,190	V1P (V1)
	15	45	15	45	CFW-090045TDZ	Yes	54	45	CFW110054T20N1Z	Yes	\$4,400	V1P (V1)
	25	68	20	54	CFW-090054TDDBZ	Yes	70	56	CFW110070T20N1Z	Yes	\$6,600	V1P (V1)
	30	86	25	70	CFW-090070TDDBZ	Yes	86	70	CFW110086T20N1Z	Yes	\$7,222	V1P (V1)
	40	105	30	86	CFW-090086TDDBZ	Yes	105	86	CFW110105T20N1Z	Yes	\$9,000	V1P (V1)
	50	130	40	105	CFW-090105TDDBZ	Yes	142	115	CFW110142T20N1DBZ	Yes	\$12,720	V1P (V1)
	50	150	50	130	CFW-090130TDDBZ	Yes	180	142	CFW110180T20N1DBZ	Yes	\$17,555	V1P (V1)
	60	174	50	142	CFW-090142TDDBZ	Yes	211	180	CFW110211T20N1DBZ	Yes	\$24,380	V1P (V1)
	<b>Input Power Supply: Three-Phase 200-240 Vac without Dynamic Braking Transistor</b>											
	25	68	20	54	CFW-090054TDZ	No	70	56	CFW110070T20N1Z	Yes	\$6,600	V1P (V1)
	30	86	25	70	CFW-090070TDZ	No	86	70	CFW110086T20N1Z	Yes	\$7,222	V1P (V1)
40	105	30	86	CFW-090086TDZ	No	105	86	CFW110105T20N1Z	Yes	\$9,000	V1P (V1)	
50	130	40	105	CFW-090105TDZ	No	142	115	CFW110142T20N1Z	No	\$11,649	V1P (V1)	
50	150	50	130	CFW-090130TDZ	No	180	142	CFW110180T20N1Z	No	\$15,125	V1P (V1)	
60	174	50	142	CFW-090142TDZ	No	180	142	CFW110180T20N1Z	No	\$15,125	V1P (V1)	
60	180	60	180	CFW-090180TDZ	No	211	180	CFW110211T20N1Z	No	\$21,560	V1P (V1)	
75	240	75	240	CFW-090240TDZ	No							
460 Vac	<b>Input Power Supply: Three-Phase 380-480 Vac with Dynamic Braking Transistor</b>											
	2	3.6	1.5	3.6	CFW-090003TGZ	Yes	3.6	3.6	CFW110003T40N1Z	Yes	\$1,616	V1P (V1)
	2	4.0	2	4.0	CFW-090004TGZ	Yes	5.0	5.0	CFW110005T40N1Z	Yes	\$1,650	V1P (V1)
	3	5.5	3	5.5	CFW-090005TGZ	Yes	7.0	5.5	CFW110007T40N1Z	Yes	\$1,712	V1P (V1)
	5	9.0	5	9.0	CFW-090009TGZ	Yes	10	10	CFW110010T40N1Z	Yes	\$1,969	V1P (V1)
	7.5	13	7.5	13	CFW-090013TGZ	Yes	17	13.5	CFW110017T40N1Z	Yes	\$2,530	V1P (V1)
	10	16	10	16	CFW-090016TGZ	Yes	24	19	CFW110024T40N1Z	Yes	\$2,992	V1P (V1)
	15	24	15	24	CFW-090024TGZ	Yes	31	25	CFW110031T40N1Z	Yes	\$3,873	V1P (V1)
	25	36	20	30	CFW-090030TGZ	Yes	38	33	CFW110038T40N1Z	Yes	\$4,300	V1P (V1)
	30	45	25	38	CFW-090038TGDBZ	Yes	45	38	CFW110045T40N1Z	Yes	\$5,400	V1P (V1)
	40	54	30	45	CFW-090045TGDBZ	Yes	58.5	47	CFW110058T40N1Z	Yes	\$6,633	V1P (V1)
	50	70	40	60	CFW-090060TGDBZ	Yes	70.5	61	CFW110070T40N1Z	Yes	\$7,500	V1P (V1)
	60	86	50	70	CFW-090070TGDBZ	Yes	88	73	CFW110088T40N1Z	Yes	\$8,900	V1P (V1)
	75	105	60	86	CFW-090086TGDBZ	Yes	105	88	CFW110105T40N1DBZ	Yes	\$13,600	V1P (V1)
100	130	75	105	CFW-090105TGDBZ	Yes	142	115	CFW110142T40N1DBZ	Yes	\$15,900	V1P (V1)	
150	174	100	142	CFW-090142TGDBZ	Yes	180	142	CFW110180T40N1DBZ	Yes	\$23,115	V1P (V1)	

continued on next page



CFW09  
NEMA 1 Enclosure



Replace with



CFW11 (NEMA 1) Enclosure

	ND / VT <sup>1</sup>		HD / CT <sup>1</sup>		CFW09 Catalog Number	Braking Transistor	ND / VT <sup>1</sup> Drive Amps <sup>3</sup>	HD / CT <sup>1</sup> Drive Amps <sup>3</sup>	CFW11 Catalog Number	Braking Transistor	List Price	Multiplier New (Old)
	Motor HP <sup>2</sup>	Drive Amps <sup>3</sup>	Motor HP <sup>2</sup>	Drive Amps <sup>3</sup>								
460 Vac	Input Power Supply: Three-Phase 380-480 Vac without Dynamic Braking Transistor											
	30	45	25	30	CFW-090038TGZ	No	38	33	CFW110038T40N1Z	Yes	\$4,300	V1P (V1)
	40	54	30	40	CFW-090045TGZ	No	45	38	CFW110045T40N1Z	Yes	\$5,400	V1P (V1)
	50	70	40	50	CFW-090060TGZ	No	70.5	61	CFW110070T40N1Z	Yes	\$7,500	V1P (V1)
	60	86	50	60	CFW-090070TGZ	No	70.5	61	CFW110070T40N1Z	Yes	\$7,500	V1P (V1)
	75	105	60	75	CFW-090086TGZ	No	105	88	CFW110105T40N1Z	No	\$10,650	V1P (V1)
	100	130	75	100	CFW-090105TGZ	No	142	115	CFW110142T40N1Z	No	\$12,500	V1P (V1)
	125	174	100	125	CFW-090142TGZ	No	180	142	CFW110180T40N1Z	No	\$17,500	V1P (V1)
	150	180	150	180	CFW-090180TGZ	No	211	180	CFW110211T40N1Z	No	\$21,000	V1P (V1)
	150	211	150	211	CFW-090211TGZ	No	312	242	CFW110312T4SZ <sup>5</sup>	No	\$29,366	V1P (V1)
	200	240	200	240	CFW-090240TGZ	No	312	242	CFW110312T4SZ <sup>5</sup>	No	\$29,366	V1P (V1)
	250	312	250	312	CFW-090312TGZ	No	370	312	CFW110370T4SZ <sup>5</sup>	No	\$31,314	V1P (V1)
	300	361	300	361	CFW-090361TGZ	No	477	370	CFW110477T4SZ <sup>5</sup>	No	\$41,027	V1P (V1)
	350	450	350	450	CFW-090450TGZ	No	515	477	CFW110515T4SZ <sup>5</sup>	No	\$43,970	V1P (V1)
	400	515	400	515	CFW-090515TGZ	No	601	515	CFW110601T4SZ <sup>5</sup>	No	\$50,088	V1P (V1)
	500	600	500	600	CFW-090600TGZ	No	720	560	CFW110720T4SZ <sup>5</sup>	No	\$59,330	V1P (V1)
575 Vac <sup>4</sup>	Input Power Supply: Three-Phase 500-600 Vac with Dynamic Braking Transistor											
	3	4.2	2	2.9	CFW-090002THZ	Yes	4.2	3.8	CFW110004T50N1NFZ	Yes	\$2,360	V1P (V1)
	5	7.0	3	4.2	CFW-090004THZ	Yes	7.0	6.5	CFW110007T50N1NFZ	Yes	\$2,516	V1P (V1)
	7 1/2	10	5	7.0	CFW-090007THZ	Yes	10	9.0	CFW110010T50N1NFZ	Yes	\$2,850	V1P (V1)
	10	12	7 1/2	10	CFW-090010THZ	Yes	12	10	CFW110012T50N1NFZ	Yes	\$2,998	V1P (V1)
	15	14	10	12	CFW-090012THZ	Yes	17	17	CFW110017T50N1NFZ	Yes	\$3,145	V1P (V1)
	15	14	15	14	CFW-090014THZ	Yes	17	17	CFW110017T50N1NFZ	Yes	\$3,145	V1P (V1)
	25	27	20	32	CFW-090022THDBZ	Yes	27	22	CFW110027T50N1NFZ	Yes	\$5,023	V1P (V1)
	30	32	25	27	CFW-090027THDBZ	Yes	32	27	CFW110032T50N1NFZ	Yes	\$5,803	V1P (V1)
	30	32	30	32	CFW-090032THDBZ	Yes	44	36	CFW110044T50N1NFZ	Yes	\$7,175	V1P (V1)
	50	53	40	44	CFW-090044THDBZ	Yes	53	44	CFW110053T60N1YZ	Yes	\$12,166	V1P (V1)
	60	63	50	53	CFW-090053THDBZ	Yes	63	53	CFW110063T60N1YZ	Yes	\$12,932	V1P (V1)
	75	79	60	63	CFW-090063THDBZ	Yes	80	66	CFW110080T60N1YZ	Yes	\$13,979	V1P (V1)
	100	99	75	79	CFW-090079THDBZ	Yes	107	90	CFW110107T60N1YZ	Yes	\$23,951	V1P (V1)
	Input Power Supply: Three-Phase 500-600 Vac without Dynamic Braking Transistor											
	25	27	20	22	CFW-090022THZ	No	27	22	CFW110027T50N1NFZ	No	\$5,023	V1P (V1)
	30	32	25	27	CFW-090027THZ	No	32	27	CFW110032T50N1NFZ	No	\$5,803	V1P (V1)
	30	32	30	32	CFW-090032THZ	No	44	36	CFW110044T50N1NFZ	No	\$7,175	V1P (V1)
	50	53	40	44	CFW-090044THZ	No	53	44	CFW110053T60N1NBYZ	No	\$9,887	V1P (V1)
	60	63	50	53	CFW-090053THZ	No	63	53	CFW110063T60N1NBYZ	No	\$10,510	V1P (V1)
75	79	60	63	CFW-090063THZ	No	80	66	CFW110080T60N1NBYZ	No	\$11,358	V1P (V1)	
100	99	75	79	CFW-090079THZ	No	107	90	CFW110107T60N1NBYZ	No	\$19,458	V1P (V1)	
150	147	100	107	CFW-090107THZ	No	150	122	CFW110150T60N1NBYZ	No	\$30,080	V1P (V1)	
200	196	150	147	CFW-090147THZ	No	216	180	CFW110216T60YZ	No	\$40,206	V1P (V1)	
200	211	200	211	CFW-090211THZ	No	289	240	CFW110289T60YZ	No	\$48,913	V1P (V1)	
300	315	250	247	CFW-090247THZ	No	315	289	CFW110315T60YZ	No	\$54,936	V1P (V1)	
350	343	300	315	CFW-090315THZ	No	365	315	CFW110365T60YZ	No	\$71,061	V1P (V1)	
400	418	350	343	CFW-090343THZ	No	435	357	CFW110435T60YZ	No	\$76,125	V1P (V1)	
500	472	400	418	CFW-090418THZ	No	584	504	CFW110584T60YZ	No	Contact Factory		
600	555	500	472	CFW-090472THZ	No	584	504	CFW110584T60YZ	No	Contact Factory		

NOTES:

- 1) "HP" rating based on "average FLA values". Use as a guide only.
- 2) Motor FLA may vary with speed and manufacturer. ALWAYS compare motor FLA to Nominal AMPS of drive.

3) CFW08 Plus NEMA1 drives are non-stocked items. Consult WEG for availability.

4) All 575 Vac drives are non-stocked items. Consult WEG for availability.  
For other technical data please refer to WEG product manual.



CFW08 NEMA4X Enclosure ➔ Replace with ➔ CFW500-G2 IP66/NEMA4X Enclosure



HP	AMPS	CFW08-N4X CATALOG NUMBER		CFW500-IP66/N4X W/O DISCONNECT		CFW500-IP66/N4X WITH DISCONNECT		MULTIPLIER New (Old)
				Catalog Number	List Price	Catalog Number	List Price	
<b>Input Power Suply: 1 OR 3/200-240VAC</b>								
1/3	1.6	-	-	CFW500A01P6B2DB66G2	\$775	CFW500A01P6B2DB66DSG2	\$895	V1W (V1)
3/4	2.6	-	-	CFW500A02P6B2DB66G2	\$800	CFW500A02P6B2DB66DSG2	\$920	V1W (V1)
1-1/2	4.3	-	-	CFW500A04P3B2DB66G2	\$850	CFW500A04P3B2DB66DSG2	\$980	V1W (V1)
2	7.3	CFW080073BDN4A1Z	USCFW080073B2024EON4A1Z	CFW500A07P3B2DB66G2	\$1,015	CFW500A07P3B2DB66DSG2	\$1,170	V1W (V1)
3	10	CFW080100BDN4A1Z	USCFW080100B2024EON4A1Z	CFW500A10P0B2DB66G2	\$1,095	CFW500A10P0B2DB66DSG2	\$1,255	V1W (V1)
<b>Input Power Suply: 3/200-240VAC</b>								
5	16	CFW080160TDN4A1Z	USCFW080160T2024EON4A1Z	CFW500A16P0T2DB66G2	\$1,350	CFW500A16P0T2DB66DSG2	\$1,555	V1W (V1)
7-1/2	22	CFW080220TDN4A1Z	USCFW080220T2024EON4A1Z	CFW500B24P0T2DB66G2	\$1,950	CFW500B24P0T2DB66DSG2	\$2,245	V1W (V1)
10	28	CFW080280TDN4A1Z	USCFW080280T2024EON4A1Z	CFW500B28P0T2DB66G2	\$2,275	CFW500B28P0T2DB66DSG2	\$2,620	V1W (V1)
10	33	CFW080330TDN4A1Z	USCFW080330T2024EON4A1Z	CFW500B33P0T2DB66G2	\$2,675	CFW500B33P0T2DB66DSG2	\$3,080	V1W (V1)
<b>Input Power Suply: 3/380-480VAC</b>								
1/2	1	-	-	CFW500A01P0T4DB66G2	\$950	CFW500A01P0T4DB66DSG2	\$1,095	V1W (V1)
1	1.6	-	-	CFW500A01P6T4DB66G2	\$975	CFW500A01P6T4DB66DSG2	\$1,125	V1W (V1)
2	2.7	CFW080027TGN4A1Z	USCFW080027T3848EON4A1Z	CFW500A02P6T4DB66G2	\$990	CFW500A02P6T4DB66DSG2	\$1,140	V1W (V1)
3	4.3	CFW080043TGN4A1Z	USCFW080043T3848EON4A1Z	CFW500A04P3T4DB66G2	\$1,175	CFW500A04P3T4DB66DSG2	\$1,350	V1W (V1)
5	6.5	CFW080065TGN4A1Z	USCFW080065T3848EON4A1Z	CFW500A06P5T4DB66G2	\$1,400	CFW500A06P5T4DB66DSG2	\$1,610	V1W (V1)
7-1/2	10	CFW080100TGN4A1Z	USCFW080100T3848EON4A1Z	CFW500A10P0T4DB66G2	\$1,650	CFW500A10P0T4DB66DSG2	\$1,900	V1W (V1)
10	14	CFW080130TGN4A1Z	USCFW080130T3848EON4A1Z	CFW500B14P0T4DB66G2	\$2,050	CFW500B14P0T4DB66DSG2	\$2,360	V1W (V1)
10	16	CFW080160TGN4A1Z	USCFW080160T3848EON4A1Z	CFW500B16P0T4DB66G2	\$2,275	CFW500B16P0T4DB66DSG2	\$2,620	V1W (V1)
15	24	CFW080240TGN4A1Z	USCFW080240T3848EON4A1Z	CFW500B24P0T4DB66G2	\$3,025	CFW500B24P0T4DB66DSG2	\$3,480	V1W (V1)
25	30	CFW080300TGN4A1Z	USCFW080300T3848EON4A1Z	CFW500B31P0T4DB66G2	\$3,650	CFW500B31P0T4DB66DSG2	\$4,200	V1W (V1)
<b>Input Power Suply: 3/500-600VAC</b>								
1-1/2	1.7	CFW080017THN4A1Z	USCFW080017T5060EON4A1Z	CFW500B01P7T5DB66	\$1,590	CFW500B01P7T5DB66DS	\$1,830	V1W (V1)
3	3	CFW080030THN4A1Z	USCFW080030T5060EON4A1Z	CFW500B03P0T5DB66	\$1,670	CFW500B03P0T5DB66DS	\$1,925	V1W (V1)
3	4.3	CFW080043THN4A1Z	USCFW080043T5060EON4A1Z	CFW500B04P3T5DB66	\$1,890	CFW500B04P3T5DB66DS	\$2,175	V1W (V1)
7-1/2	7	CFW080070THN4A1Z	USCFW080070T5060EON4A1Z	CFW500B07P0T5DB66	\$2,115	CFW500B07P0T5DB66DS	\$2,435	V1W (V1)
10	10	CFW080100THN4A1Z	USCFW080100T5060EON4A1Z	CFW500B10P0T5DB66	\$2,330	CFW500B10P0T5DB66DS	\$2,680	V1W (V1)
10	12	CFW080120THN4A1Z	USCFW080120T5060EON4A1Z	CFW500B12P0T5DB66	\$2,615	CFW500B12P0T5DB66DS	\$3,005	V1W (V1)



CFW700  
IP20 ENCLOSURE



CFW500-G2 (IP20) OR CFW11  
(NEMA1) ENCLOSURE

Motor Voltage	ND/VT <sup>1</sup>		HD/CT <sup>1</sup>		CFW700-IP20 CATALOG NUMBER <sup>4</sup>	CFW500-G2 (IP20)			CFW11 (NEMA1) <sup>5</sup>			
	Motor HP <sup>2</sup>	Drive Amps <sup>3</sup>	Motor HP <sup>2</sup>	Drive Amps <sup>3</sup>		Catalog Number	List Price	Multiplier New (Old)	Catalog Number	List Price	Multiplier New (Old)	
3/230VAC	<b>Input Power Supply: 1 OR 3/200-240VAC with Dynamic Braking Transistor</b>											
	1 1/2	6	1 1/2	5	CFW700A06P0B2DB20	CFW500B07P3B2DB20G2	\$678	V1G (V1)	CFW110006B20N1Z	\$1,644	V1P (V1)	
	2	7	2	7	CFW700A07P0B2DB20	CFW500B07P3B2DB20G2	\$678	V1G (V1)	CFW110007B20N1Z	\$1,716	V1P (V1)	
	<b>Input Power Supply: 1/200-240VAC with Dynamic Braking Transistor</b>											
	3	10	3	10	CFW700A10P0S2DB20	CFW500B10P0B2DB20G2	\$789	V1G (V1)	CFW110010S20N1Z	\$1,812	V1P (V1)	
	<b>Input Power Supply: 3/200-240VAC with Dynamic Braking Transistor</b>											
	2	7.0	1 1/2	5.5	CFW700A07P0T2DB20	CFW500A07P0T2NB20G2	\$628	V1G (V1)	CFW110007T20N1Z	\$1,620	V1P (V1)	
	3	10	2	8.0	CFW700A10P0T2DB20	CFW500A09P6T2NB20G2	\$773	V1G (V1)	CFW110010T20N1Z	\$1,692	V1P (V1)	
	5	13	3	11	CFW700A13P0T2DB20	CFW500B16P0T2DB20G2	\$842	V1G (V1)	CFW110013T20N1Z	\$1,728	V1P (V1)	
	5	16	5	13	CFW700A16P0T2DB20	CFW500B16P0T2DB20G2	\$842	V1G (V1)	CFW110016T20N1Z	\$1,850	V1P (V1)	
	7 1/2	24	7 1/2	20	CFW700B24P0T2DB20	CFW500C24P0T2DB20G2	\$1,427	V1G (V1)	CFW110024T20N1Z	\$2,424	V1P (V1)	
	10	28	10	24	CFW700B28P0T2DB20	CFW500D28P0T2DB20G2	\$1,777	V1G (V1)	CFW110028T20N1Z	\$2,641	V1P (V1)	
	10	34	10	28	CFW700B33P5T2DB20	CFW500D33P0T2DB20G2	\$2,146	V1G (V1)	CFW110033T20N1Z	\$3,190	V1P (V1)	
	15	45	15	36	CFW700C45P0T2DB20	CFW500D47P0T2DB20G2	\$2,910	V1G (V1)	CFW110045T20N1Z	\$3,641	V1P (V1)	
	20	54	20	45	CFW700C54P0T2DB20	CFW500E56P0T2DB20G2	\$3,380	V1G (V1)	CFW110054T20N1Z	\$4,400	V1P (V1)	
	25	70	20	56	CFW700C70P0T2DB20	CFW500F77P0T2DB20G2	\$4,150	V1G (V1)	CFW110070T20N1Z	\$6,600	V1P (V1)	
	30	86	25	70	CFW700D86P0T2DBN1	CFW500F88P0T2DB20G2	\$5,200	V1G (V1)	CFW110086T20N1Z	\$7,222	V1P (V1)	
	40	105	30	86	CFW700D105T2DBN1	CFW500F0105T2DB20G2	\$7,050	V1G (V1)	CFW110105T20N1Z	\$9,000	V1P (V1)	
	50	142	40	115	CFW700E142T2DB20C3	CFW500G0145T2DB20G2	\$9,095	V1G (V1)	CFW110142T20N1DBZ	\$12,720	V1P (V1)	
	60	180	50	142	CFW700E180T2DB20C3	CFW500G0180T2DB20G2	\$10,965	V1G (V1)	CFW110180T20N1DBZ	\$17,555	V1P (V1)	
	75	211	60	180	CFW700E211T2DB20C3	CFW500G0211T2DB20G2	\$14,445	V1G (V1)	CFW110211T20N1DBZ	\$24,380	V1P (V1)	
<b>Input Power Supply: 3/200-240VAC without Dynamic Braking Transistor</b>												
50	142	40	115	CFW700E142T2NB20C3	CFW500G0145T2NB20G2	\$8,500	V1G (V1)	CFW110142T20N1Z	\$11,649	V1P (V1)		
60	180	50	142	CFW700E180T2NB20C3	CFW500G0180T2NB20G2	\$10,250	V1G (V1)	CFW110180T20N1Z	\$15,125	V1P (V1)		
75	211	60	180	CFW700E211T2NB20C3	CFW500G0211T2NB20G2	\$13,500	V1G (V1)	CFW110211T20N1Z	\$21,560	V1P (V1)		
3/460VAC	<b>Input Power Supply: 3/380-480VAC with Dynamic Braking Transistor</b>											
	2	3.6	2	3.6	CFW700A03P6T4DB20	CFW500B04P3T4DB20G2	\$892	V1G (V1)	CFW110003T40N1Z	\$1,616	V1P (V1)	
	3	5	3	5	CFW700A05P0T4DB20	CFW500B06P5T4DB20G2	\$1,067	V1G (V1)	CFW110005T40N1Z	\$1,650	V1P (V1)	
	5	7	3	5.5	CFW700A07P0T4DB20	CFW500B10P0T4DB20G2	\$1,207	V1G (V1)	CFW110007T40N1Z	\$1,712	V1P (V1)	
	7 1/2	10	5	10	CFW700A10P0T4DB20	CFW500B10P0T4DB20G2	\$1,207	V1G (V1)	CFW110010T40N1Z	\$1,969	V1P (V1)	
	10	13.5	7 1/2	11	CFW700A13P5T4DB20	CFW500C14P0T4DB20G2	\$1,495	V1G (V1)	CFW110013T40N1Z	\$2,068	V1P (V1)	
	10	17	10	13.5	CFW700B17P0T4DB20	CFW500C16P0T4DB20G2	\$1,684	V1G (V1)	CFW110017T40N1Z	\$2,530	V1P (V1)	
	15	24	10	19	CFW700B24P0T4DB20	CFW500D24P0T4DB20G2	\$2,229	V1G (V1)	CFW110024T40N1Z	\$2,992	V1P (V1)	
	20	31	15	25	CFW700B31P0T4DB20	CFW500D31P0T4DB20G2	\$2,783	V1G (V1)	CFW110031T40N1Z	\$3,873	V1P (V1)	
	25	38	20	33	CFW700C38P0T4DB20	CFW500E39P0T4DB20G2	\$3,346	V1G (V1)	CFW110038T40N1Z	\$4,300	V1P (V1)	
	30	45	25	38	CFW700C45P0T4DB20	CFW500E39P0T4DB20G2 <sup>6</sup>	\$3,346	V1G (V1)	CFW110045T40N1Z	\$5,400	V1P (V1)	
	40	58.5	30	47	CFW700C58P5T4DB20	CFW500E49P0T4DB20G2 <sup>6</sup>	\$4,214	V1G (V1)	CFW110058T40N1Z	\$6,633	V1P (V1)	
	50/60	70.5	40	61	CFW700D70P5T4DBN1	CFW500F77P0T4DB20G2	\$5,700	V1G (V1)	CFW110070T40N1Z	\$7,500	V1P (V1)	
	60/75	88	50	73	CFW700D88P0T4DBN1	CFW500F88P0T4DB20G2	\$7,300	V1G (V1)	CFW110088T40N1Z	\$8,900	V1P (V1)	
	75	105	75	88	CFW700E0105T4DB20C3	CFW500F0105T4DB20G2	\$8,900	V1G (V1)	CFW110105T40N1DBZ	\$13,600	V1P (V1)	
	100/125	142	75	115	CFW700E0142T4DB20C3	CFW500G0142T4DB20G2	\$10,915	V1G (V1)	CFW110142T40N1DBZ	\$15,900	V1P (V1)	

NOTES:

- 1) ND (Normal Duty) / VT (Variable Torque): 110% Overload / 60 Sec; HD (Heavy Duty) / CT (Constant Torque): 150% Overload / 60 Sec.
- 2) "HP" rating based on WEG W22 motors "average FLA values". Use as a guide only.
- 3) Motor FLA may vary with speed and manufacturer. ALWAYS compare motor FLA to Nominal AMPS of drive.
- 4) A careful consideration must be given to the application requirements when selecting the replacement drive.
- 5) CFW11 VFDs are direct mechanical replacement for the corresponding CFW700 VFDs. The position of control terminal blocks may differ from CFW700 to CFW11.
- 6) 40°C max. ambient temp. surrounding the VFD.

**CFW700  
IP20 ENCLOSURE**



**CFW500-G2 (IP20) OR CFW11  
(NEMA1) ENCLOSURE**

Motor Voltage	ND/VT <sup>1</sup>		HD/CT <sup>1</sup>		CFW700-IP20 CATALOG NUMBER <sup>4</sup>	CFW500-G2 (IP20)			CFW11 (NEMA1) <sup>5</sup>			
	Motor HP <sup>2</sup>	Drive Amps <sup>3</sup>	Motor HP <sup>2</sup>	Drive Amps <sup>3</sup>		Catalog Number	List Price	Multiplier New (Old)	Catalog Number	List Price	Multiplier New (Old)	
3/460VAC	150	180	100	142	CFW700E0180T4DB20C3	CFW500G0180T4DB20G2	\$13,375	V1G (V1)	CFW110180T40N1DBZ	\$23,115	V1P (V1)	
	175	211	150	180	CFW700E0211T4DB20C3	CFW500G0211T4DB20G2	\$15,515	V1G (V1)	CFW110211T40N1DBZ	\$27,020	V1P (V1)	
	Input Power Supply: 3/380-480VAC without Dynamic Braking Transistor											
	75	105	75	88	CFW700E0105T4NB1C3	CFW500F0105T4DB20G2	\$8,900	V1G (V1)	CFW110105T40N1Z	\$10,650	V1P (V1)	
	100/125	142	75	115	CFW700E0142T4NB1C3	CFW500G0142T4NB20G2	\$10,200	V1G (V1)	CFW110142T40N1Z	\$12,500	V1P (V1)	
	150	180	100	142	CFW700E0180T4NB1C3	CFW500G0180T4NB20G2	\$12,500	V1G (V1)	CFW110180T40N1Z	\$17,500	V1P (V1)	
3/575VAC <sup>7</sup>	175	211	150	180	CFW700E0211T4NB1C3	CFW500G0211T4NB20G2	\$14,500	V1G (V1)	CFW110211T40N1Z	\$21,000	V1P (V1)	
	Input Power Supply: 3/500-600VAC with Dynamic Braking Transistor											
	2	2.9	2	2.7	CFW700B02P9T5DB20	CFW500C03P0T5DB20	\$954	V1G (V1)	CFW110002T50N1NFZ	\$2,393	V1P (V1)	
	3	4.2	3	3.8	CFW700B04P2T5DB20	CFW500C04P3T5DB20	\$1,073	V1G (V1)	CFW110004T50N1NFZ	\$2,360	V1P (V1)	
	7 1/2	7	5	6.5	CFW700B07P0T5DB20	CFW500C07P0T5DB20	\$1,276	V1G (V1)	CFW110007T50N1NFZ	\$2,516	V1P (V1)	
	10	10	7 1/2	9	CFW700B10P0T5DB20	CFW500C10P0T5DB20	\$1,621	V1G (V1)	CFW110010T50N1NFZ	\$2,850	V1P (V1)	
	10	12	10	10	CFW700B12P0T5DB20	CFW500C12P0T5DB20	\$1,813	V1G (V1)	CFW110012T50N1NFZ	\$2,998	V1P (V1)	
	15	17	15	17	CFW700B17P0T5DB20	-	-	-	CFW110017T50N1NFZ	\$3,145	V1P (V1)	
	20	22	20	19	CFW700C22P0T5DB20	-	-	-	CFW110022T50N1NFZ	\$4,748	V1P (V1)	
	25	27	20	22	CFW700C27P0T5DB20	-	-	-	CFW110027T50N1NFZ	\$5,023	V1P (V1)	
	30	32	25	27	CFW700C32P0T5DB20	-	-	-	CFW110032T50N1NFZ	\$5,803	V1P (V1)	
	40	44	30	36	CFW700C44P0T5DB20	-	-	-	CFW110044T50N1NFZ	\$7,175	V1P (V1)	
	50	53	40	44	CFW700E53P0T5DB20C3	-	-	-	CFW110053T60N1YZ	\$12,166	V1P (V1)	
	60	63	50	53	CFW700E63P0T5DB20C3	-	-	-	CFW110063T60N1YZ	\$12,932	V1P (V1)	
	75	80	75	66	CFW700E80P0T5DB20C3	-	-	-	CFW110080T60N1YZ	\$13,979	V1P (V1)	
	100	107	100	90	CFW700E107T5DB20C3	-	-	-	CFW110107T60N1YZ	\$23,951	V1P (V1)	
	125	125	100	107	CFW700E125T5DB20C3	-	-	-	CFW110125T60N1YZ	\$29,042	V1P (V1)	
	150	150	125	122	CFW700E150T5DB20C3	-	-	-	CFW110150T60N1YZ	\$33,010	V1P (V1)	
	Input Power Supply: 3/500-600VAC without Dynamic Braking Transistor											
	20	22	20	19	CFW700D22P0T5NBN1	-	-	-	CFW110022T50N1NFZ <sup>6</sup>	\$4,748	V1P (V1)	
	25	27	20	22	CFW700D27P0T5NBN1	-	-	-	CFW110027T50N1NFZ <sup>6</sup>	\$5,023	V1P (V1)	
30	32	25	27	CFW700D32P0T5NBN1	-	-	-	CFW110032T50N1NFZ <sup>6</sup>	\$5,803	V1P (V1)		
40	44	30	36	CFW700D44P0T5NBN1	-	-	-	CFW110044T50N1NFZ <sup>6</sup>	\$7,175	V1P (V1)		
50	53	40	44	CFW700E53P0T5NB20C3	-	-	-	CFW110053T60N1NBYZ	\$9,887	V1P (V1)		
60	63	50	53	CFW700E63P0T5NB20C3	-	-	-	CFW110063T60N1NBYZ	\$10,510	V1P (V1)		
75	80	75	66	CFW700E80P0T5NB20C3	-	-	-	CFW110080T60N1NBYZ	\$11,358	V1P (V1)		
100	107	100	90	CFW700E107T5NB20C3	-	-	-	CFW110107T60N1NBYZ	\$19,458	V1P (V1)		
125	125	100	107	CFW700E125T5NB20C3	-	-	-	CFW110125T60N1NBYZ	\$23,589	V1P (V1)		
150	150	125	122	CFW700E150T5NB20C3	-	-	-	CFW110150T60N1NBYZ	\$30,080	V1P (V1)		

**NOTES:**

- 1) ND (Normal Duty) / VT (Variable Torque): 110% Overload / 60 Sec; HD (Heavy Duty) / CT (Constant Torque): 150% Overload / 60 Sec.
- 2) "HP" rating based on WEG W22 motors "average FLA values". Use as a guide only.
- 3) Motor FLA may vary with speed and manufacturer. ALWAYS compare motor FLA to Nominal AMPS of drive.
- 4) A careful consideration must be given to the application requirements when selecting the replacement drive.
- 5) CFW11 VFDs are direct mechanical replacement for the corresponding CFW700 VFDs. The position of control terminal blocks may differ from CFW700 to CFW11.
- 6) Not a direct mechanical replacement for corresponding CFW700 drives.
- 7) All 575V drives are non-stocked items, consult WEG for availability.



CFW701 NEMA1 ENCLOSURE → Replace With → CFW501 (IP20) OR CFW500-G2 (IP20) OR CFW11 (NEMA1) ENCL.

Motor Voltage	ND/VT <sup>1</sup>		HD/CT <sup>1</sup>		CFW701 (NEMA1) CATALOG NUMBER <sup>4</sup>	CFW501 (IP20) CATALOG NUMBER	CFW500-G2 (IP20) CATALOG NUMBER <sup>5</sup>	CFW11 (NEMA1) CATALOG NUMBER <sup>6</sup>	
	Motor HP <sup>2</sup>	Drive Amps <sup>3</sup>	Motor HP <sup>2</sup>	Drive Amps <sup>3</sup>					
3/230VAC	Input Power Supply: 1 OR 3/200-240VAC with Dynamic Braking Transistor								
	1 1/2	6	1 1/2	5	CFW701A06P0B2DBN1C3	-	CFW500B07P3B2DB20G2	CFW110006B20N1Z	
	2	7	2	7	CFW701A07P0B2DBN1C3	-	CFW500B07P3B2DB20G2	CFW110007B20N1Z	
	Input Power Supply: 1/200-240VAC with Dynamic Braking Transistor								
	3	10	3	10	CFW701A10P0S2DBN1C3	-	CFW500B10P0B2DB20G2	CFW110010S20N1Z	
	Input Power Supply: 3/200-240VAC with Dynamic Braking Transistor								
	2	7.0	1 1/2	5.5	CFW701A07P0T2DBN1C3	CFW501A07P0T2NB20C3 <sup>7</sup>	CFW500A07P0T2NB20G2	CFW110007T20N1Z	
	3	10	2	8.0	CFW701A10P0T2DBN1C3	CFW501A09P6T2NB20C3 <sup>7</sup>	CFW500A09P6T2NB20G2	CFW110010T20N1Z	
	5	13	3	11	CFW701A13P0T2DBN1C3	CFW501A12P2T2NB20C3 <sup>7</sup>	CFW500B16P0T2DB20G2	CFW110013T20N1Z	
	5	16	5	13	CFW701A16P0T2DBN1C3	CFW501B16P0T2DB20C3	CFW500B16P0T2DB20G2	CFW110016T20N1Z	
	7 1/2	24	7 1/2	20	CFW701B24P0T2DBN1C3	CFW501C24P0T2DB20C3	CFW500C24P0T2DB20G2	CFW110024T20N1Z	
	10	28	10	24	CFW701B28P0T2DBN1C3	-	CFW500D28P0T2DB20G2	CFW110028T20N1Z	
	10	34	10	28	CFW701B33P5T2DBN1C3	-	CFW500D33P0T2DB20G2	CFW110033T20N1Z	
	15	45	15	36	CFW701C45P0T2DBN1C3	-	CFW500D47P0T2DB20G2	CFW110045T20N1Z	
	20	54	20	45	CFW701C54P0T2DBN1C3	-	CFW500E56P0T2DB20G2	CFW110054T20N1Z	
	25	70	20	56	CFW701C70P0T2DBN1C3	-	CFW500F77P0T2DB20G2	CFW110070T20N1Z	
	30	86	25	70	CFW701D86P0T2DBN1C3	-	CFW500F88P0T2DB20G2	CFW110086T20N1Z	
	40	105	30	86	CFW701D0105T2DBN1C3	-	CFW500F0105T2DB20G2	CFW110105T20N1Z	
	Input Power Supply: 3/200-240VAC without Dynamic Braking Transistor								
	50	142	40	115	CFW701E0142T2NBN1C3	-	CFW500G0145T2NB20G2	CFW110142T20N1Z	
60	180	50	142	CFW701E0180T2NBN1C3	-	CFW500G0180T2NB20G2	CFW110180T20N1Z		
75	211	60	180	CFW701E0211T2NBN1C3	-	CFW500G0211T2NB20G2	CFW110211T20N1Z		
3/460VAC	Input Power Supply: 3/380-480VAC with Dynamic Braking Transistor								
	2	3.6	2	3.6	CFW701A03P6T4DBN1C3	CFW501B04P3T4DB20C3	CFW500B04P3T4DB20G2	CFW110003T40N1Z	
	3	5	3	5	CFW701A05P0T4DBN1C3	CFW501B06P5T4DB20C3	CFW500B06P5T4DB20G2	CFW110005T40N1Z	
	5	7	3	5.5	CFW701A07P0T4DBN1C3	CFW501B10P0T4DB20C3	CFW500B10P0T4DB20G2	CFW110007T40N1Z	
	7 1/2	10	5	10	CFW701A10P0T4DBN1C3	CFW501B10P0T4DB20C3	CFW500B10P0T4DB20G2	CFW110010T40N1Z	
	10	13.5	7 1/2	11	CFW701A13P5T4DBN1C3	CFW501C14P0T4DB20C2	CFW500C14P0T4DB20G2	CFW110013T40N1Z	
	10	17	10	13.5	CFW701B17P0T4DBN1C3	CFW501C16P0T4DB20C2	CFW500C16P0T4DB20G2	CFW110017T40N1Z	
	15	24	10	19	CFW701B24P0T4DBN1C3	CFW501D24P0T4DB20C3	CFW500D24P0T4DB20G2	CFW110024T40N1Z	
	20	31	15	25	CFW701B31P0T4DBN1C3	CFW501D31P0T4DB20C3	CFW500D31P0T4DB20G2	CFW110031T40N1Z	
	25	38	20	33	CFW701C38P0T4DBN1C3	-	CFW500E39P0T4DB20G2	CFW110038T40N1Z	
	30	45	25	38	CFW701C45P0T4DBN1C3	-	CFW500E39P0T4DB20G2 <sup>8</sup>	CFW110045T40N1Z	
	40	58.5	30	47	CFW701C58P5T4DBN1C3	-	CFW500E49P0T4DB20G2 <sup>8</sup>	CFW110058T40N1Z	
	50/60	70.5	40	61	CFW701D70P5T4DBN1C3	-	CFW500F77P0T4DB20G2	CFW110070T40N1Z	
	60/75	88	50	73	CFW701D88P0T4DBN1C3	-	CFW500F88P0T4DB20G2	CFW110088T40N1Z	

NOTES:

- 1) ND (Normal Duty) / VT (Variable Torque): 110% Overload / 60 Sec; HD (Heavy Duty) / CT (Constant Torque): 150% Overload / 60 Sec.
- 2) "HP" rating based on WEG W22 motors "average FLA values". Use as a guide only.
- 3) Motor FLA may vary with speed and manufacturer. ALWAYS compare motor FLA to Nominal AMPS of drive.
- 4) A careful consideration must be given to the application requirements when selecting the replacement drive.
- 5) The CFW500 (230VAC & 460VAC) is General Purpose/Machinery/Industrial drive with BACnet com. capability. The CFW500 - 575VAC drives do not have BACnet communication.
- 6) The CFW11 VFDs are direct mechanical replacement for the corresponding CFW701 VFDs. The position of control terminal blocks may differ from CFW701 to CFW11. The CFW11 is standard industrial drive with BACnet com. capability with special FM.
- 7) These drives do not have built in dynamic braking transistor.
- 8) 40°C max. ambient temp. surrounding the VFD.

CFW701 NEMA1 ENCLOSURE → Replace With → CFW501 (IP20) OR CFW500-G2 (IP20) OR CFW11 (NEMA1) ENCL.

Motor Voltage	ND/VT <sup>1</sup>		HD/CT <sup>1</sup>		CFW701 (NEMA1) CATALOG NUMBER <sup>4</sup>	CFW501 (IP20) CATALOG NUMBER	CFW500-G2 (IP20) CATALOG NUMBER <sup>5</sup>	CFW11 (NEMA1) CATALOG NUMBER <sup>6</sup>	
	Motor HP <sup>2</sup>	Drive Amps <sup>3</sup>	Motor HP <sup>2</sup>	Drive Amps <sup>3</sup>					
3/460VAC	Input Power Supply: 3/380-480VAC without Dynamic Braking Transistor								
	75	105	75	88	CFW701E0105T4NBN1C3	-	CFW500F0105T4DB20G2	CFW110105T40N1Z	
	100/125	142	75	115	CFW701E0142T4NBN1C3	-	CFW500G0142T4NB20G2	CFW110142T40N1Z	
	150	180	100	142	CFW701E0180T4NBN1C3	-	CFW500G0180T4NB20G2	CFW110180T40N1Z	
	175	211	150	180	CFW701E0211T4NBN1C3	-	CFW500G0211T4NB20G2	CFW110211T40N1Z	
3/575VAC <sup>8</sup>	Input Power Supply: 3/500-600VAC with Dynamic Braking Transistor								
	2	2.9	2	2.7	CFW701B02P9T5DBN1C3	-	CFW500C03P0T5DB20	CFW110002T50N1NFZ	
	3	4.2	3	3.8	CFW701B04P2T5DBN1C3	-	CFW500C04P3T5DB20	CFW110004T50N1NFZ	
	7 1/2	7	5	6.5	CFW701B07P0T5DBN1C3	-	CFW500C07P0T5DB20	CFW110007T50N1NFZ	
	10	10	7 1/2	9	CFW701B10P0T5DBN1C3	-	CFW500C10P0T5DB20	CFW110010T50N1NFZ	
	10	12	10	10	CFW701B12P0T5DBN1C3	-	CFW500C12P0T5DB20	CFW110012T50N1NFZ	
	15	17	15	17	CFW701B17P0T5DBN1C3	-	-	CFW110017T50N1NFZ	
	Input Power Supply: 3/500-600VAC without Dynamic Braking Transistor								
	20	22	20	19	CFW701D22P0T5NBN1C3	-	-	CFW110022T50N1NFZ <sup>7</sup>	
	25	27	20	22	CFW701D27P0T5NBN1C3	-	-	CFW110027T50N1NFZ <sup>7</sup>	
	30	32	25	27	CFW701D32P0T5NBN1C3	-	-	CFW110032T50N1NFZ <sup>7</sup>	
	40	44	30	36	CFW701D44P0T5NBN1C3	-	-	CFW110044T50N1NFZ <sup>7</sup>	
	50	53	40	44	CFW701E53P0T5NBN1C3	-	-	CFW110053T60N1NBYZ	
	60	63	50	53	CFW701E63P0T5NBN1C3	-	-	CFW110063T60N1NBYZ	
	75	80	75	66	CFW701E80P0T5NBN1C3	-	-	CFW110080T60N1NBYZ	
100	107	100	90	CFW701E0107T5NBN1C3	-	-	CFW110107T60N1NBYZ		
125	125	100	107	CFW701E0125T5NBN1C3	-	-	CFW110125T60N1NBYZ		
150	150	125	122	CFW701E0150T5NBN1C3	-	-	CFW110150T60N1NBYZ		

NOTES:

- 1) ND (Normal Duty) / VT (Variable Torque); 110% Overload / 60 Sec; HD (Heavy Duty) / CT (Constant Torque); 150% Overload / 60 Sec.
- 2) "HP" rating based on WEG W22 motors "average FLA values". Use as a guide only.
- 3) Motor FLA may vary with speed and manufacturer. ALWAYS compare motor FLA to Nominal AMPS of drive.
- 4) A careful consideration must be given to the application requirements when selecting the replacement drive.
- 5) The CFW500 (230VAC & 460VAC) is General Purpose/Machinery/Industrial drive with BACnet com. capability. The CFW500 - 575VAC drives do not have BACnet communication.
- 6) The CFW11 VFDs are direct mechanical replacement for the corresponding CFW701 VFDs. The position of control terminal blocks may differ from CFW701 to CFW11. The CFW11 is standard industrial drive with BACnet com. capability with special FM.
- 7) Not a direct mechanical replacement for corresponding CFW701 drives.
- 8) All 575V drives are non-stocked items, consult WEG for availability.



SSW06 Soft Starters

SSW900 Soft Starters

Motor Voltage	Motor HP <sup>1</sup>	Starter Amps <sup>2</sup>	Duty Cycle	SSW06 Catalog Number	Motor HP <sup>1</sup>	Starter Amps <sup>2</sup>	Duty Cycle	SSW900 Catalog Number	List Price	Multiplier New (Old)
<b>Input Power Supply: Three-Phase 200-240 Vac</b>										
3-Ph, 230VAC	3	10	300%, 30 s, 10 Starts/hr, 55°C	SSW060010T2257ESZ	3	10	300%, 30 s, 10 Starts/hr, 55°C	SSW900A0010T5E2B	\$1,386	E19 (E1)
	5	16		SSW060016T2257ESZ	5	17		SSW900A0017T5E2B	\$1,429	E19 (E1)
	7.5	23		SSW060023T2257ESZ	7.5	24		SSW900A0024T5E2B	\$1,572	E19 (E1)
	10	30		SSW060030T2257ESZ	10	30		SSW900A0030T5E2B	\$1,703	E19 (E1)
	15	45		SSW060045T2257ESZ	15	45		SSW900B0045T5E2B <sup>3</sup>	\$1,976	E19 (E1)
	20	60		SSW060060T2257ESZ	20	61		SSW900B0061T5E2B <sup>3</sup>	\$2,181	E19 (E1)
	25 / 30	85		SSW060085T2257ESZ	25 / 30	85		SSW900B0085T5E2B <sup>3</sup>	\$2,771	E19 (E1)
	-	-		-	40	105		SSW900B0105T5E2B <sup>3</sup>	\$3,160	E19 (E1)
	50	130		SSW060130T2257ESZ	50	130		SSW900C0130T5E2B <sup>3</sup>	\$3,547	E19 (E1)
	60	170		SSW060170T2257ESZ	60	171		SSW900C0171T5E2B <sup>3</sup>	\$4,270	E19 (E1)
	75	205	SSW060205T2257ESZ	75	200	SSW900C0200T5E2B <sup>3</sup>	\$5,354	E19 (E1)		
	100	255	SSW060255T2257ESZ	100	255	SSW900D0255T5E3B	\$7,188	E19 (E1)		
	125	312	SSW060312T2257ESZ	125	312	SSW900D0312T5E3B	\$7,896	E19 (E1)		
	150	365	SSW060365T2257ESZ	150	365	SSW900D0365T5E3B	\$8,721	E19 (E1)		
	150	412	SSW060412T2257ESZ	150	412	SSW900D0412T5E3B	\$9,465	E19 (E1)		
	200	480	SSW060480T2257ESZ	200	480	SSW900E0480T5E3B <sup>4</sup>	\$11,730	E19 (E1)		
	250	604	SSW060604T2257ESZ	250	604	SSW900E0604T5E3B <sup>4</sup>	\$13,082	E19 (E1)		
	250	670	SSW060670T2257ESZ	250	670	SSW900E0670T5E3B <sup>4</sup>	\$14,878	E19 (E1)		
	350	820	SSW060820T2257ESZ	350	820	SSW900F0820T5E3B <sup>4</sup>	\$17,573	E19 (E1)		
	400	950	SSW060950T2257ESH1Z	400	950	SSW900F0950T5E3B	\$26,592	E19 (E1)		
450	1100	SSW061100T2257ESH2Z	450	1100	SSW900G1100T5E3B	\$33,351	E19 (E1)			
550	1400	SSW061400T2257ESH2Z	550	1400	SSW900G1400T5E3B	\$42,863	E19 (E1)			
<b>Input Power Supply: Three-Phase 460 Vac</b>										
3-Ph, 460VAC	5	10	300%, 30 s, 10 Starts/hr, 55°C	SSW060010T2257ESZ	5	10	300%, 30 s, 10 Starts/hr, 55°C	SSW900A0010T5E2B	\$1,386	E19 (E1)
	10	16		SSW060016T2257ESZ	10	17		SSW900A0017T5E2B	\$1,429	E19 (E1)
	15	23		SSW060023T2257ESZ	15	24		SSW900A0024T5E2B	\$1,572	E19 (E1)
	20	30		SSW060030T2257ESZ	20	30		SSW900A0030T5E2B	\$1,703	E19 (E1)
	30	45		SSW060045T2257ESZ	30	45		SSW900B0045T5E2B <sup>3</sup>	\$1,976	E19 (E1)
	40	60		SSW060060T2257ESZ	40	61		SSW900B0061T5E2B <sup>3</sup>	\$2,181	E19 (E1)
	50/60/75	85		SSW060085T2257ESZ	50/60/75	85		SSW900B0085T5E2B <sup>3</sup>	\$2,771	E19 (E1)
	-	-		-	75	105		SSW900B0105T5E2B <sup>3</sup>	\$3,160	E19 (E1)
	100	130		SSW060130T2257ESZ	100	130		SSW900C0130T5E2B <sup>3</sup>	\$3,547	E19 (E1)
	125	170		SSW060170T2257ESZ	125	171		SSW900C0171T5E2B <sup>3</sup>	\$4,270	E19 (E1)
	150	205	SSW060205T2257ESZ	150	200	SSW900C0200T5E2B <sup>3</sup>	\$5,354	E19 (E1)		
	200	255	SSW060255T2257ESZ	200	255	SSW900D0255T5E3B	\$7,188	E19 (E1)		
	250	312	SSW060312T2257ESZ	250	312	SSW900D0312T5E3B	\$7,896	E19 (E1)		
	300	365	SSW060365T2257ESZ	300	365	SSW900D0365T5E3B	\$8,721	E19 (E1)		
	350	412	SSW060412T2257ESZ	350	412	SSW900D0412T5E3B	\$9,465	E19 (E1)		
	400	480	SSW060480T2257ESZ	400	480	SSW900E0480T5E3B <sup>4</sup>	\$11,730	E19 (E1)		
	500	604	SSW060604T2257ESZ	500	604	SSW900E0604T5E3B <sup>4</sup>	\$13,082	E19 (E1)		
	550	670	SSW060670T2257ESZ	550	670	SSW900E0670T5E3B <sup>4</sup>	\$14,878	E19 (E1)		
	700	820	SSW060820T2257ESZ	700	820	SSW900F0820T5E3B <sup>4</sup>	\$17,573	E19 (E1)		
	800	950	SSW060950T2257ESH1Z	800	950	SSW900F0950T5E3B	\$26,592	E19 (E1)		
900	1100	SSW061100T2257ESH2Z	900	1100	SSW900G1100T5E3B	\$33,351	E19 (E1)			
1200	1400	SSW061400T2257ESH2Z	1200	1400	SSW900G1400T5E3B	\$42,863	E19 (E1)			

NOTES:

- 1) "HP" rating based on FLA values from WEG W22, 2 and 4 pole, NEMA Premium motors.
- 2) Motor FLA may vary with speed and manufacturer. ALWAYS compare motor FLA to Nominal AMPS of the starter.
- 3) Must be used with ventilation kit.
- 4) Please note duty cycle and ambient temperature rating difference between SSW06 and SSW900 models. The SSW06 is rated for 300%, 30s, 10 starts/hr @ 55°C and SSW900 is rated for 300%, 30s, 5 starts/hr @ 40°C

SSW06 Soft Starters

SSW900 Soft Starters

Motor Voltage	Motor HP <sup>1</sup>	Starter Amps <sup>2</sup>	Duty Cycle	SSW06 Catalog Number	Motor HP <sup>1</sup>	Starter Amps <sup>2</sup>	Duty Cycle	SSW900 Catalog Number	List Price	Multiplier New (Old)
<b>Input Power Supply: Three-Phase 575 Vac</b>										
3-Ph, 575VAC	7.5	10	300%, 30 s, 10 Starts/hr, 55°C	SSW060010T2257ESZ	7.5	10	300%, 30 s, 10 Starts/hr, 55°C	SSW900A0010T5E2B	\$1,386	E19 (E1)
	15	16		SSW060016T2257ESZ	15	17		SSW900A0017T5E2B	\$1,429	E19 (E1)
	20	23		SSW060023T2257ESZ	20	24		SSW900A0024T5E2B	\$1,572	E19 (E1)
	30	30		SSW060030T2257ESZ	30	30		SSW900A0030T5E2B	\$1,703	E19 (E1)
	40	45		SSW060045T2257ESZ	40	45		SSW900B0045T5E2B <sup>3</sup>	\$1,976	E19 (E1)
	60	60		SSW060060T2257ESZ	60	61		SSW900B0061T5E2B <sup>3</sup>	\$2,181	E19 (E1)
	75	85		SSW060085T2257ESZ	75	85		SSW900B0085T5E2B <sup>3</sup>	\$2,771	E19 (E1)
	-	-		-	100	105		SSW900B0105T5E2B <sup>3</sup>	\$3,160	E19 (E1)
	125	130		SSW060130T2257ESZ	125	130		SSW900C0130T5E2B <sup>3</sup>	\$3,547	E19 (E1)
	150	170		SSW060170T2257ESZ	150	171		SSW900C0171T5E2B <sup>3</sup>	\$4,270	E19 (E1)
	200	205		SSW060205T2257ESZ	200	200		SSW900C0200T5E2B <sup>3</sup>	\$5,354	E19 (E1)
	250	255		SSW060255T2257ESZ	250	255		SSW900D0255T5E3B	\$7,188	E19 (E1)
	300	312		SSW060312T2257ESZ	300	312		SSW900D0312T5E3B	\$7,896	E19 (E1)
	350	365		SSW060365T2257ESZ	350	365		SSW900D0365T5E3B	\$8,721	E19 (E1)
	450	412		SSW060412T2257ESZ	450	412		SSW900D0412T5E3B	\$9,465	E19 (E1)
	500	480		SSW060480T2257ESZ	500	480		SSW900E0480T5E3B <sup>5</sup>	\$11,730	E19 (E1)
	650	604		SSW060604T2257ESZ	650	604		SSW900E0604T5E3B <sup>5</sup>	\$13,082	E19 (E1)
	750	670		SSW060670T2257ESZ	750	670		SSW900E0670T5E3B <sup>5</sup>	\$14,878	E19 (E1)
	850	820	SSW060820T2257ESZ	850	820	SSW900F0820T5E3B <sup>5</sup>	\$17,573	E19 (E1)		
	1050	950	SSW060950T2257ESH1Z	1050	950	SSW900F0950T5E3B	\$26,592	E19 (E1)		
1200	1100	SSW061100T2257ESH2Z	1200	1100	SSW900G1100T5E3B	\$33,351	E19 (E1)			
1500	1400	SSW061400T2257ESH2Z	1500	1400	SSW900G1400T5E3B	\$42,863	E19 (E1)			
<b>Input Power Supply: Three-Phase 690 Vac</b>										
3-Ph, 690VAC <sup>4</sup>	50	45	300%, 30 s, 10 Starts/hr, 55°C	SSW060045T5769ESZ	-	-	300%, 30 s, 10 Starts/hr, 55°C	-	-	-
	75	60		SSW060060T5769ESZ	-	-		-	-	-
	100	85		SSW060085T5769ESZ	-	-		-	-	-
	150	130		SSW060130T5769ESZ	150	130		SSW900C0130T6E2B <sup>3</sup>	\$4,529	E19 (E1)
	200	170		SSW060170T5769ESZ	200	171		SSW900C0171T6E2B <sup>3</sup>	\$5,705	E19 (E1)
	250	205		SSW060205T5769ESZ	250	200		SSW900C0200T6E2B <sup>3</sup>	\$7,172	E19 (E1)
	300	255		SSW060255T5769ESZ	300	255		SSW900D0255T6E3B	\$8,242	E19 (E1)
	400	312		SSW060312T5769ESZ	400	312		SSW900D0312T6E3B	\$8,948	E19 (E1)
	450	365		SSW060365T5769ESZ	450	365		SSW900D0365T6E3B	\$9,299	E19 (E1)
	550	412		SSW060412T5769ESZ	550	412		SSW900D0412T6E3B	\$11,181	E19 (E1)
	600	480		SSW060480T5769ESZ	600	480		SSW900E0480T6E3B <sup>5</sup>	\$13,841	E19 (E1)
	750	604		SSW060604T5769ESZ	750	604		SSW900E0604T6E3B <sup>5</sup>	\$15,439	E19 (E1)
	850	670		SSW060670T5769ESZ	850	670		SSW900E0670T6E3B <sup>5</sup>	\$14,932	E19 (E1)
	1000	820		SSW060820T5769ESZ	1000	820		SSW900F0820T6E3B <sup>5</sup>	\$17,646	E19 (E1)
	1200	950	SSW060950T5769ESH1Z	1200	950	SSW900F0950T6E3B	\$28,794	E19 (E1)		
	1400	1100	SSW061100T5769ESH2Z	1400	1100	SSW900G1100T6E3B	\$34,673	E19 (E1)		
	1700	1400	SSW061400T5769ESH2Z	1700	1400	SSW900G1400T6E3B	\$44,509	E19 (E1)		

NOTES:

- 1) "HP" rating based on FLA values from WEG W22, 2 and 4 pole, NEMA Premium motors.
- 2) Motor FLA may vary with speed and manufacturer. ALWAYS compare motor FLA to Nominal AMPS of the starter.
- 3) Must be used with ventilation kit.
- 4) The 690VAC Soft Starters are not "UL Listed" and are non-stocked items. Please consult WEG for availability.
- 5) Please note duty cycle and ambient temperature rating difference between SSW06 and SSW900 models. The SSW06 is rated for 300%, 30s, 10 starts/hr @ 55°C and SSW900 is rated for 300%, 30s, 5 starts/hr @ 40°C.

## Revision Control

Revision	Major Changes
US300.01.2024	<ol style="list-style-type: none"> <li>1. CFW500-G1, CFW700 &amp; CFW701 Drives removed.</li> <li>2. CFW320 &amp; CFW900 Drives added.</li> <li>3. Pump Genius HMIs added.</li> <li>4. Line and load reactors replaced with New Lines of Open Style and enclosed Style Line &amp; Load Reactors.</li> <li>5. Digital Solution offering (MFM) revised with next Generation products and better List Pricing.</li> </ol>
US300.07.2024	Minor Changes





**NOTES:**

Lined area for notes with 25 horizontal lines.

INDEX  
WARRANTY INFO  
CFW100  
CFW300  
CFW320  
CFW500 GZ  
CFW11  
CFW900  
CFW11M  
CFW501  
PUMP GINIUS  
REACTORS  
SSW05  
SSW07  
SSW900  
SSW700  
EDP1  
GPH2  
APSS9  
MFM





**NOTES:**

Handwritten notes area with horizontal lines.

INDEX

WARRANTY  
INFO

CFW100

CFW300

CFW320

CFW500  
GZ

CFW11

CFW900

CFW11M

CFW501

PUMP  
GENIUS

REACTORS

SSW05

SSW07

SSW900

SSW7000

EDP11

GPH2

APS9

MEW