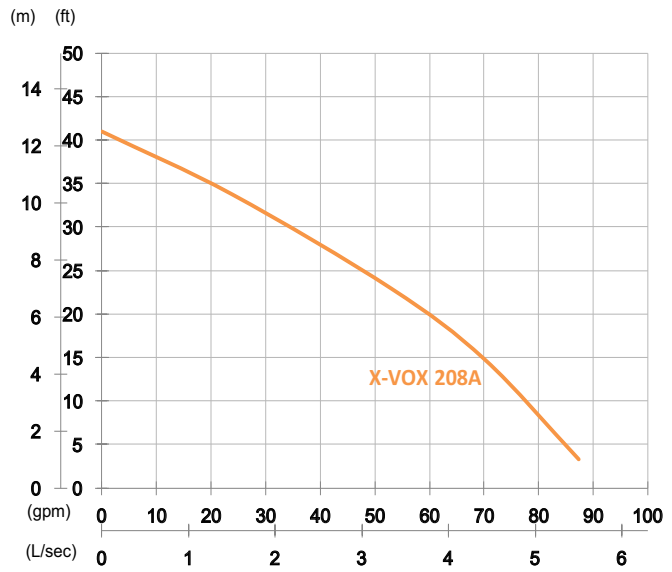


X-VOX 208A

Sewage Vortex Pump

60 Hz

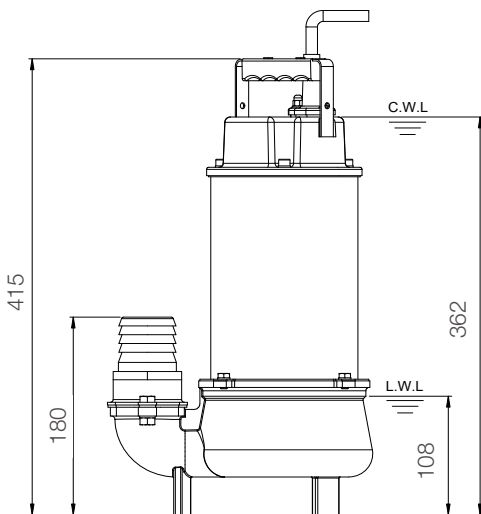
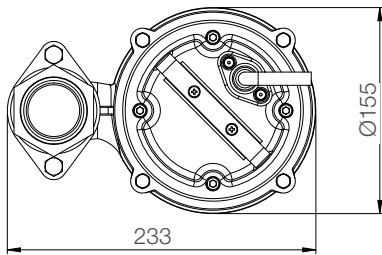


Shaft Speed : 3450 rpm

Outlet : 50mm, 2in

| OUTPUT | HEAD | FLOW |
|---------|-------------------|-------------------------|
| 0.75 kW | Rated : 7m, 23ft | Rated : 3.3 L/s, 53 gpm |
| 1 HP | Max : 12.5m, 41ft | Max : 5.5 L/s, 87 gpm |

Solid Passage : 40mm, 1.6in



unit : mm

Weight : 12kg / 26 lbs

| | | |
|-------------------------|-------------|-------------------------------------|
| Pump Type | | Electric Submersible Pumps |
| | | 1-Phase, 110V OR 220V |
| Motor | Type | Induction Motor |
| | Poles | 2 Pole |
| | Insulation | Class F |
| | Protector | Circle Thermal Protector |
| | Starter | 1-Phase · Capacitor-Run |
| Lubricant | | Food Grade (ISO VG32) |
| Impeller Type | | Vortex |
| Shaft Seal | | Double Mechanical Seal |
| | | Silicon Carbide VS Ceramic / Carbon |
| Bearings | | C3 Shielded ball bearings |
| Cable | | PVC (OSA Certified) / H07RN-F |
| | | 6m (20ft) or longer upon request. |
| Materials | Pump Casing | Stainless Steel |
| | Impeller | Stainless Steel |
| | Motor Frame | Stainless Steel |
| | Motor Shaft | Stainless Steel |
| Max. Liquid Temperature | | 40°C (104°F) |
| Max. Submersion Depth | | 20m (66ft) |
| pH Range | | pH 5 - pH 8 |