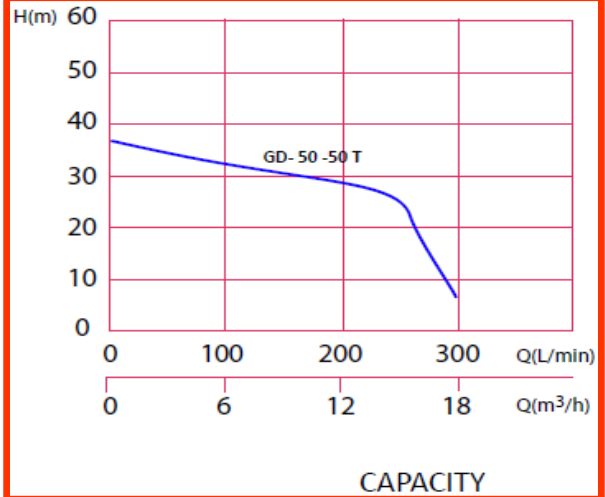


Pump Data

Brand :	Gol Pump		
Model :	GD-50-50-T		
Head Rate :	86 FEET	Flow Rate:	64 GPM
Head Max:	123 FEET	Flow Max:	80 GPM
Head Min:	23 FEET	Flow Min :	5 GPM
RPM :	3450		
Normal Power P1 :	5 HP		
Fluid:	Water		
Fluid Temperature:	at about 25 °C		
Density:	water 997 kg/m ³		
Fluid Viscosity:	8.90 × 10 ⁻⁴ Pa·s		
With Float switch	NONE		
Self Priming	Submersible		
Delivery size	2" NPT		
Suction size	With Strainer		
Made in :	TAIWAN		



Motor Data

Power P2:	*	
Power P1:	3.7 KW	
Phase (PH):	3	
Rate Voltage :	460 V	
Capacitor Need :	*	µF
Ferequency :	60 Hz	
Rated Speed (rpm):	3450 rpm	
Current (A):	5.4 A	
Cos φ :	0.85	
Degree of Protection (IP):	IP 68	
Safety Protection Included:	E	
length of Cable :	10	M
Kind of Plug :	NONE	
Ambient Temp :	40°C = 104°F	

Other Pump Data

Impeller Size (mm) :	*
Pressuer Rating :	PN 16
Min. Fluid Temp :	10°C = 50°F
Max. Fluid Temp :	40°C = 104°F
Ambient Temp :	40°C = 104°F
Humidity % :	100%

Special Specification

Installation status :	Ver
Variable frequency :	NONE
Solid Passage	3 mm

Materials

Pump Body :	FC 200
Support:	FC 200
Impeller	FC 200
Mechanical Seal:	SIC/SIC/NBR
Rubber	SS 41
Pump Shaft:	SUS 410
Strainer	FC 200
outer cover:	FC 200
Motor:	FC 200

Shaft Seal

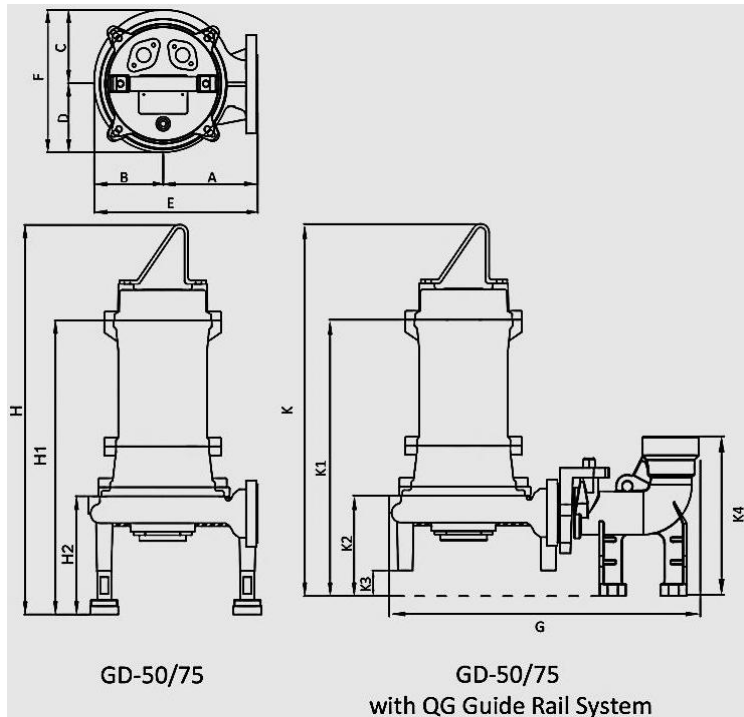
Type:	*
Stationary Part	SUS 410
Rotating Part	SUS 410
Elastomer	FC 200

Pump and Motor specification optional

With Booster System	None
With Complack	None
Special Material	None
Specail Voltage	None

Protection system required

External Flout switch	NONE
Minimum Starter	Starter SWT



Weight : 44 Kg

Standard Approve



Applicant:

Waste Water Treatment Sewage Water Drainage of Waste Water

from Individual Residences Apartment Buildings Recreational

Developments Motels Transferring Waste Water School Federal

State and Local Parks to Transfer Various Waste Water

and Sewage Pulp and Paper Factory Residential Houses

Dimention in

mm

A	164
B	119
C	125
D	114
E	283
F	239
G	500
H	669
H1	509
H2	186
K	637
K1	477
K2	154
K3	29
K4	240