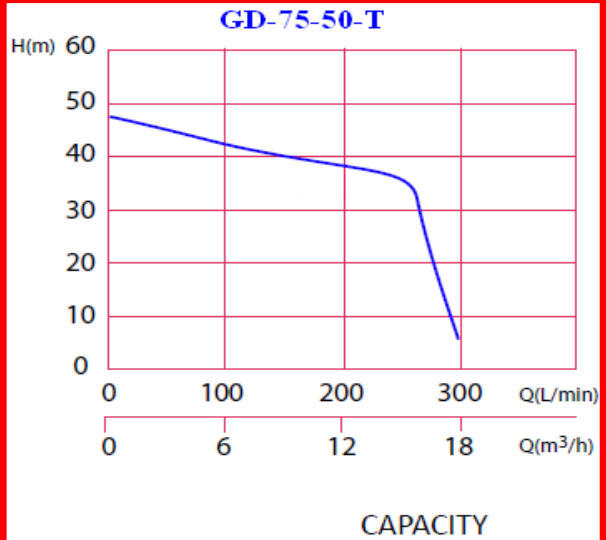


Pump Data

Brand :	Gol Pump		
Model :	GD-75-50-T		
Head Rate :	116 FEET	Flow Rate :	66 GPM
Head Max :	163 FEET	Flow Max :	80 GPM
Head Min :	20 FEET	Flow Min :	5 GPM
RPM :	3450		
Normal Power P1 :	7.5 HP		
Fluid :	Water		
Fluid Temperature :	at about 25 °C		
Density :	water 997 kg/m ³		
Fluid Viscosity :	8.90 × 10 ⁻⁴ Pa·s		
With Float switch	NONE		
Self Priming	Submersible		
Delivery size	2" NPT		
Suction size	With Strainer		
Made in :	TAIWAN		



Motor Data

Power P2:	*	
Power P1:	5.5 KW	
Phase (PH):	3	
Rate Voltage :	460 V	
Capacitor Need :	*	µF
Ferequency :	60 Hz	
Rated Speed (rpm):	3450 rpm	
Current (A):	8 A	
Cos φ :	0.85	
Degree of Protection (IP):	IP 68	
Safety Protection Included:	E	
length of Cable :	10	M
Kind of Plug :	NONE	
Ambient Temp :	40°C = 104°F	

Other Pump Data

Impeller Size (mm) :	*	
Pressuer Rating :	PN 16	
Min. Fluid Temp :	10°C = 50°F	
Max. Fluid Temp :	40°C = 104°F	
Ambient Temp :	40°C = 104°F	
Humidity % :	100%	

Special Specification

Installation status :	Ver	
Variable frequency :	NONE	
Solid Passage	3	mm

Materials

Pump Body :	FC 200
Support:	FC 200
Impeller	FC 200
Mechanical Seal:	SIC/SIC/NBR
Rubber	SS 41
Pump Shaft:	SUS 410
Strainer	FC 200
outer cover:	FC 200
Motor:	FC 200

Shaft Seal

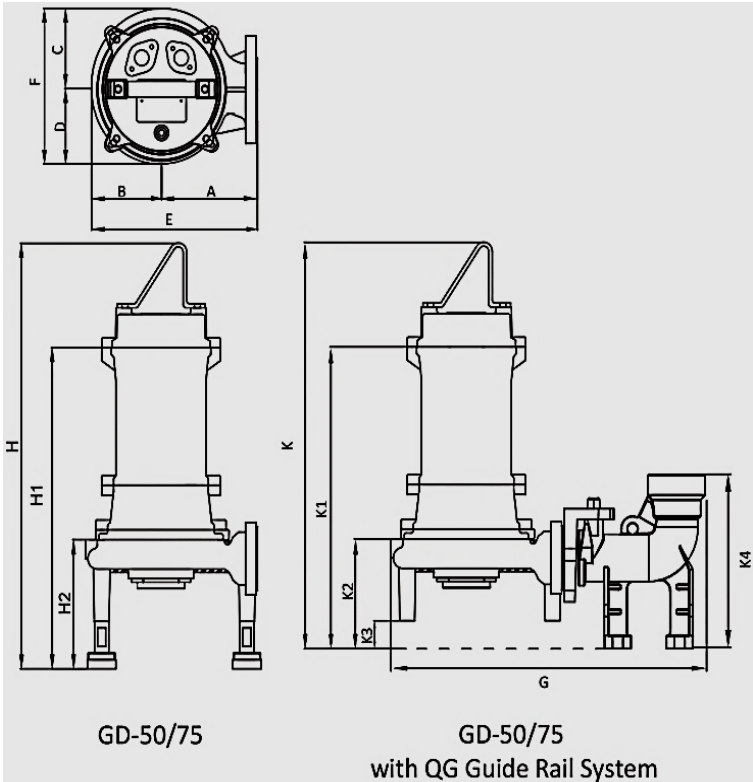
Type:	*	
Stationary Part	SUS 410	
Rotating Part	SUS 410	
Elastomer	FC 200	

Pump and Motor specification optional

With Booster System	None
With Complack	None
Special Material	None
Specail Voltage	None

Protection system required

External Flout switch	NONE
Minimum Starter	Starter SWT



Weight : 49 Kg

Standard Approve



Applicant:

Waste Water Treatment Sewage Water Drainage of Waste Water
 from Individual Residences Apartment Buildings Recreational
 Developments Motels Transferring Waste Water School Federal
 State and Local Parks to Transfer Various Waste Water
 and Sewage Pulp and Paper Factory Residential Houses

Dimention in

mm

A	164
B	119
C	125
D	114
E	283
F	239
G	500
H	709
H1	549
H2	186
K	677
K1	517
K2	154
K3	29
K4	240