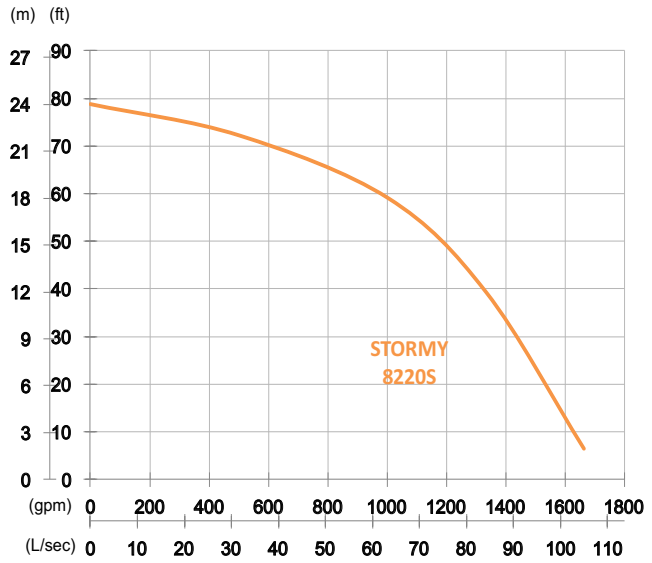


STORMY 8220S

Strainer and Agitator Pump

60 Hz

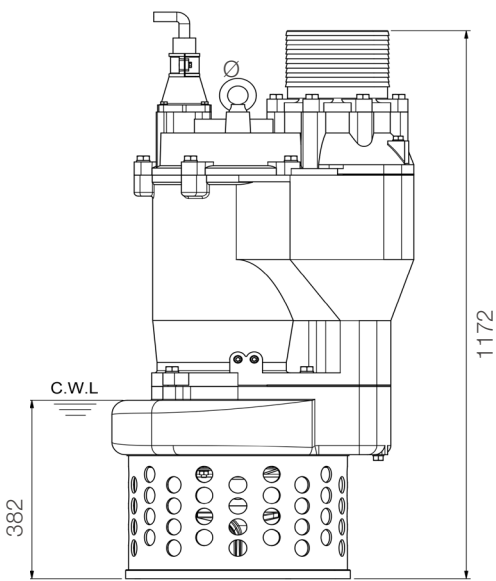
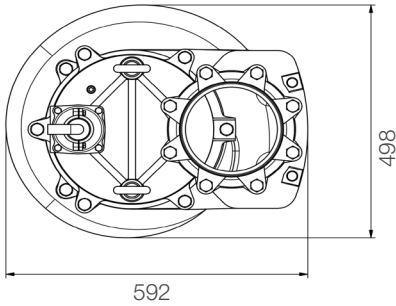


Shaft Speed : 1750 rpm

Outlet : 200mm, 8in

OUTPUT	HEAD	FLOW
22 kW	Rated : 18m, 59ft	Rated : 63.3 L/s, 1004 gpm
30 HP	Max : 24m, 79ft	Max : 105 L/s, 1664 gpm

Solid Passage : 35mm, 1.4in



unit : mm

Weight : 367kg / 809 lbs

Pump Type		Electric Submersible Pumps
		3-Phase, 460V
Motor	Type	Induction Motor
	Poles	4 Pole
	Insulation	Class F
	Protector	Circle Thermal Protector
	Starter	3-Phase · D.O.L.
Lubricant		Food Grade (ISO VG32)
Impeller Type		Opened
Shaft Seal		Double Mechanical Seal
		Silicon Carbide VS Ceramic / Carbon
Bearings		C3 Shielded ball bearings
Cable		PVC (CSA Certified) / H07BQ-F
		10m (33ft) or longer upon request.
Materials	Pump Casing	Ductile Iron
	Impeller	Chromium Iron
	Motor Frame	Gray Iron
	Motor Shaft	Stainless Steel
	Wear Plate	Chromium Iron
	Agitator	Chromium Iron
	Strainer	Carbon Steel
Max. Liquid Temperature		40°C (104°F)
Max. Submersion Depth		20m (66ft)
pH Range		pH 5 - pH 8