



Technical Data

Sand Gravel Pump - AMG 6/4D

Revision no.

 Page:
1

Receiver

From

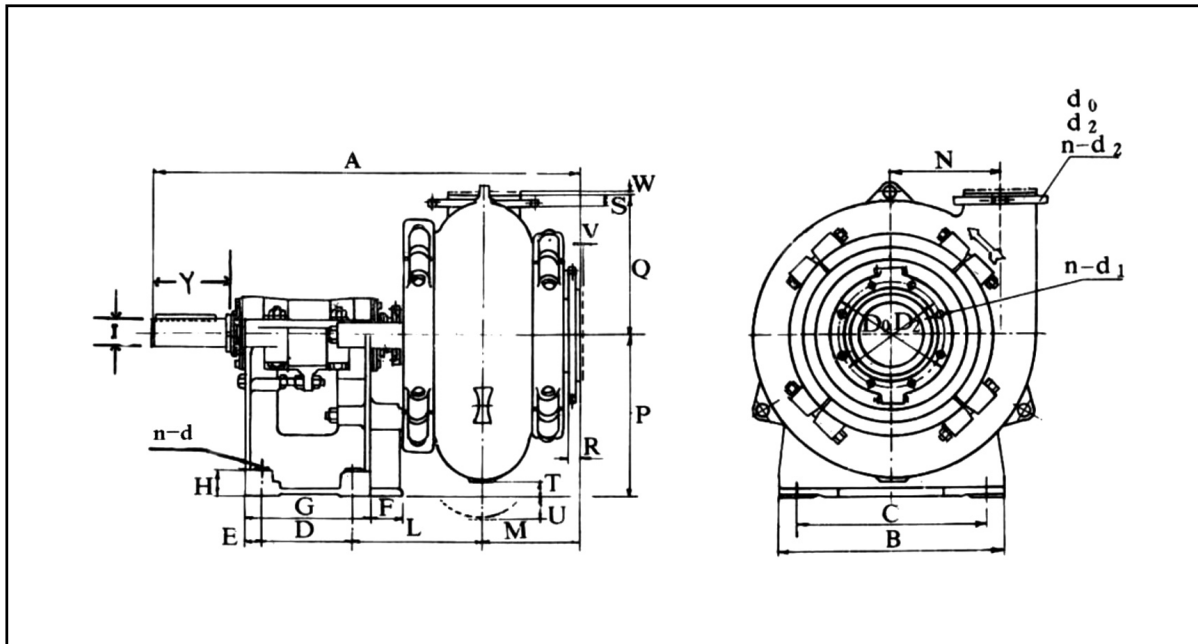
 Company name
 Respons. Department
 Person in charge
 Phone number
 Fax no
 E-mail address



Brand: Gol Pumps
Model: AMG 6/4D

Inlet	Outlet	Weight
in.	in.	lb.
6	4	1012

Dimensions:



Pump Installation Size (inch)

Base Dimensions										H.D Bolt Holes	Head		
A	B	C	D	E	F	G	H	Y	I	n-d	L	M	N
40	19	17	8	1	3	11	2	6	3	4-Ø0.9	13	8	10

Head					Joint		Intake Flange			Discharge Flange			
P	Q	R	S	T	U	V	W	D ₀	D ₂	n-d ₁	d ₀	d ₂	n-d ₂
13	14	1	1	0.6	-	0.3	0.2	12	10	8-Ø0.7	10	8	4-Ø0.7

Project

Project ID

Created by

Created on

Last update



Performance Curves

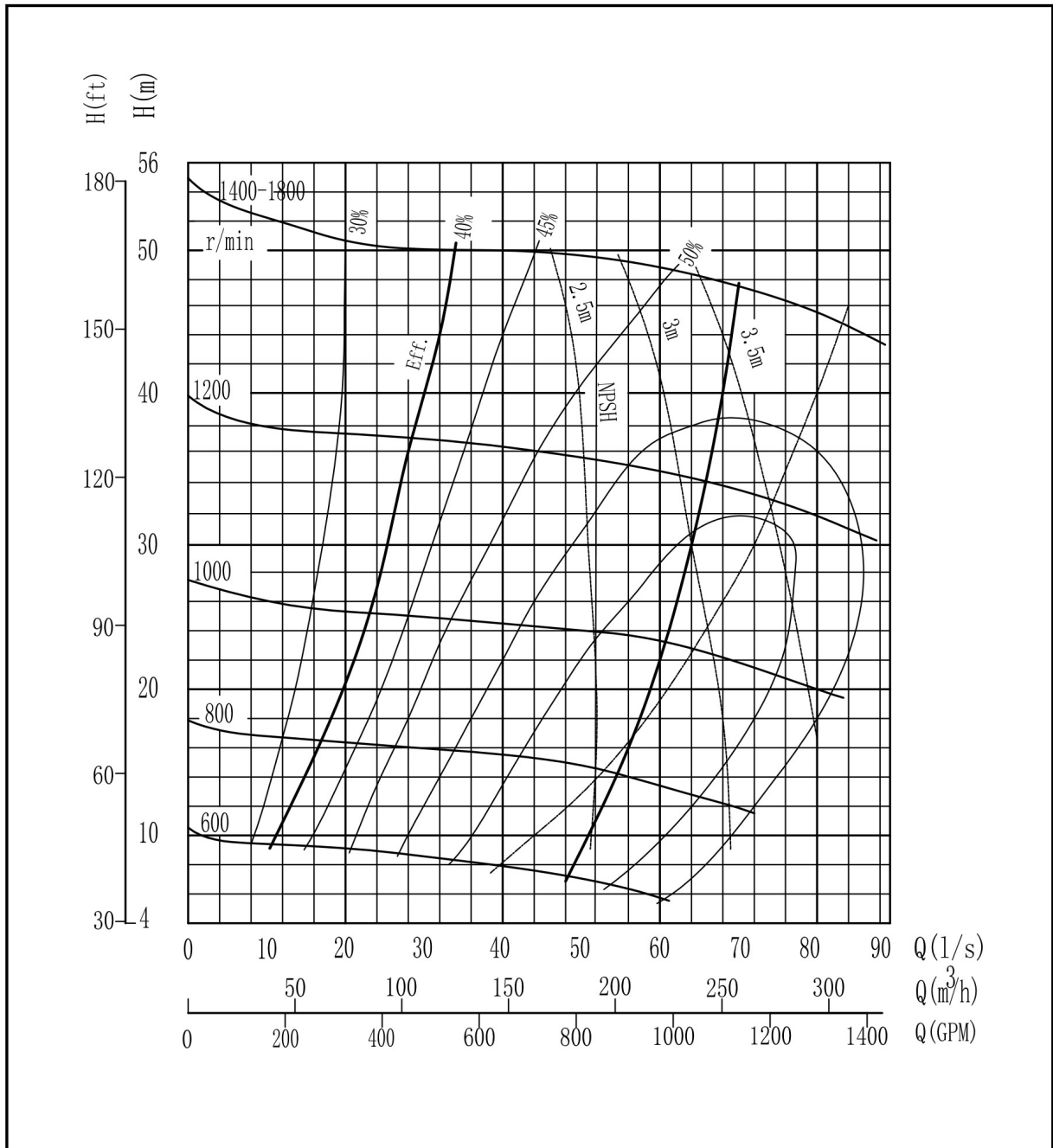
Sand Gravel Pump - AMG 6/4D

Revision no. Page: 2

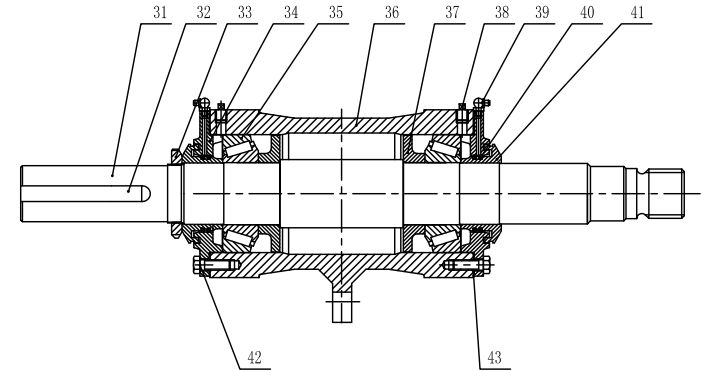
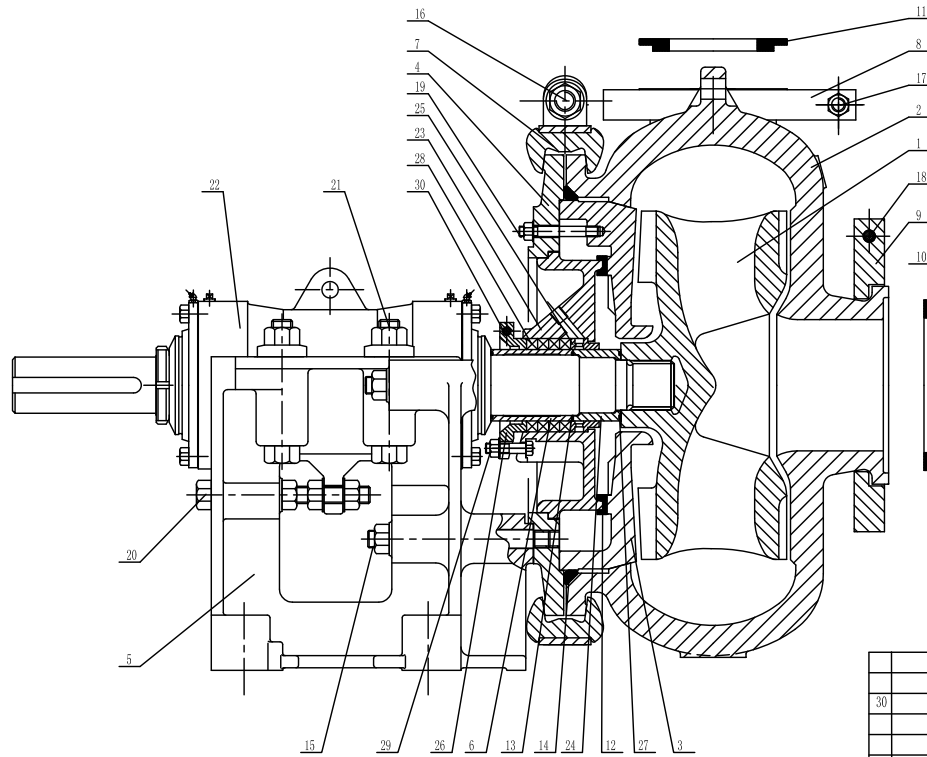
Receiver	From

Company name
 Respons. Department
 Person in charge
 Phone number
 Fax no
 E-mail address

Pump Model	Inlet	Outlet	Max. Power		Max. Solid Passing	RPM
	in.	in.	hp	kW	in.	
AMG 6/4D	6	4	80	60	3	1750



Project	Project ID	Created by	Created on	Last update
---------	------------	------------	------------	-------------



43	D212	End Cover Gasket	1Set						
42		Bolts	8						
41	D205	Labyrinth	2	HT250					
40	D212	Piston Ring	4	HT250					
39	D114	Grease Cup	2						
38		Plug	2						
37	D204	Grease Retainer	2	HT200					
36	D202N	Bearing House	1	HT250					
35	D211	Bearing	2						
34	D203	End Cover	2	HT250					
33	DC207	Lock Nut	1						
32	DC208	Key	1						
31	DM201M	Shaft	1						
tem	Parts No.	Parts Name	QTY	Material					

		Nuts	2						
		Bolts	2						
30	D622	Stuffing Gland Joint Bolts	2Set						
		Washers	2						
		Nuts	2						
		Bolts	2						
29	D607	Stuffing Gland Bolt	2Set						
28	D113	Packing	4						
27	D405	O Ring	1						
26	D107	Stuffing Gland	1	HT250					
25	D104	Lantern Restrictor	1						
24	DAM110	Shaft Spacer	1	3Cr13					
23	DAM101	Stuffing Box	1	HT250					
22	DAM200M	Bearing Assembly	1Set						
	D606	Clamp Washers	4						
		Nuts	4						
		Bolts	4						
21	D605	Clamp Bolts	4Set						
		Washers	2						
		Nuts	3						
		Bolt	1						
20	D604	Adjusting Bolts	1Set						
tem	Parts No.	Parts Name	QTY	Material					

		Nuts	4						
		Studs	4						
19	DG609	Back Liner Studs	4Set						
		Nuts	2						
		Bolts	2						
18	DG636	Incharge Flange Bolts	2Set						
		Nuts	2						
		Bolts	2						
17	DG635	Discharge Flange Bolts	2Set						
		Nuts	4						
		Bolts	4						
16	DG634	Clamp Bolts	4Set						
		Nuts	3						
		Studs	3						
15	DG603	Adaptor Plate Studs	3Set						
14	E66403	Bowl Ring	1						
13	D405	O Ring	1						
12	E404	Back Liner Seal	1						
11	E4402	Discharge Joint Ring	1						
10	F6402	Intake Joint Ring	1						
9	E6811	Incharge Flange	1						
8	D4810	Discharge Flange	1						
7	E6616	Clamp Ring	1Set						
6	D108	Shaft Sleeve	1						
5	D800M	Base	1	HT250					
4	DG4006M	Adaptor Plate	1	HT250					
3	DC4004	Back Liner	1	C27W					
2	DG4002	Bowl	1	C27W					
1	DC4001	Impeller	1	C27W					
tem	Parts No.	Parts Name	QTY	Material					

6/4D-GAMC

Composition Drawing