



Technical Data

Sand Gravel Pump - AMG 8/6E

Revision no.

Page:
 1

| Receiver | From |
|----------|------|
| | |
| | |
| | |
| | |
| | |
| | |

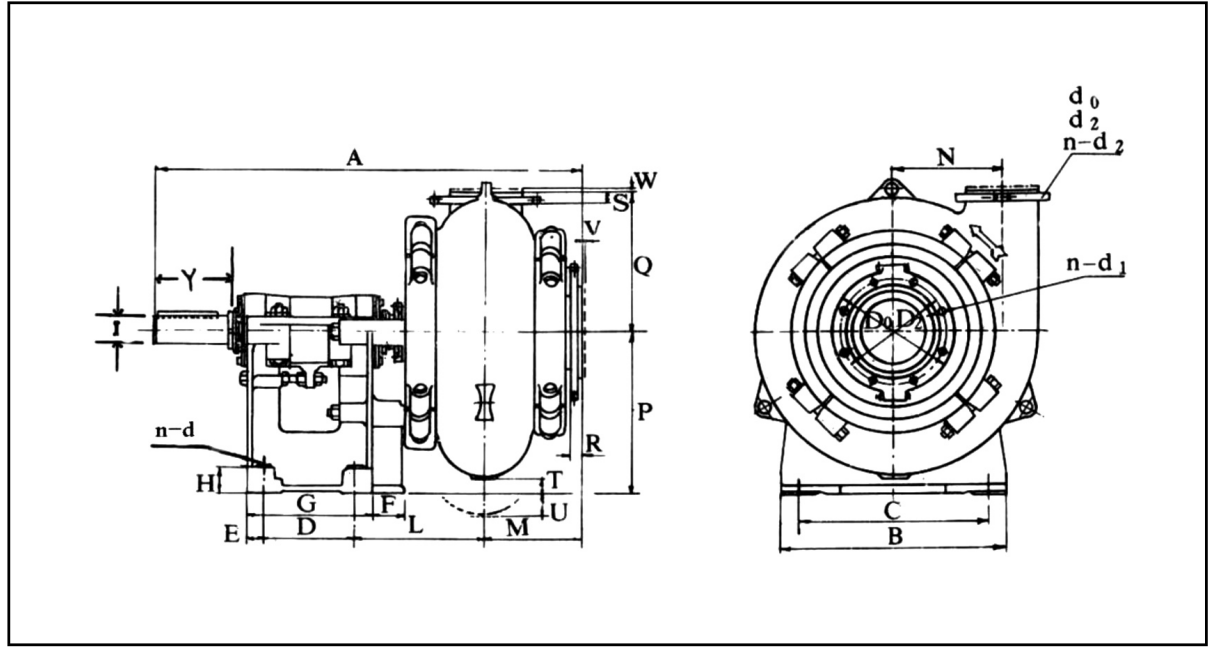
Company name
 Respons. Department
 Person in charge
 Phone number
 Fax no
 E-mail address



Brand: Gol Pumps
Model: AMG 8/6E

| Inlet | Outlet | Weight |
|-------|--------|--------|
| in. | in. | lb. |
| 8 | 6 | 2464 |

Dimensions:



| Pump Installation Size (inch) | | | | | | | | | | | | | |
|-------------------------------|----|----|----|---|---|----|---|---|---|----------------|------|---|----|
| Base Dimensions | | | | | | | | | | H.D Bolt Holes | Head | | |
| A | B | C | D | E | F | G | H | Y | I | n-d | L | M | N |
| 51 | 24 | 21 | 10 | 2 | 3 | 14 | 3 | 9 | 3 | 4-Ø1 | 13 | 8 | 10 |

| Head | | | Joint | | Intake Flange | | | Discharge Flange | | | | | |
|------|----|---|-------|---|---------------|-----|-----|------------------|----------------|------------------|----------------|----------------|------------------|
| P | Q | R | S | T | U | V | W | D ₀ | D ₂ | n-d ₁ | d ₀ | d ₂ | n-d ₂ |
| 19 | 16 | 1 | 1 | 2 | - | 0.2 | 0.3 | 14 | 13 | 8-Ø0.7 | 12 | 10 | 8-Ø0.7 |

| | | | | |
|---------|------------|------------|------------|-------------|
| Project | Project ID | Created by | Created on | Last update |
|---------|------------|------------|------------|-------------|



Performance Curves

Sand Gravel Pump - AMG 8/6E

Revision no.

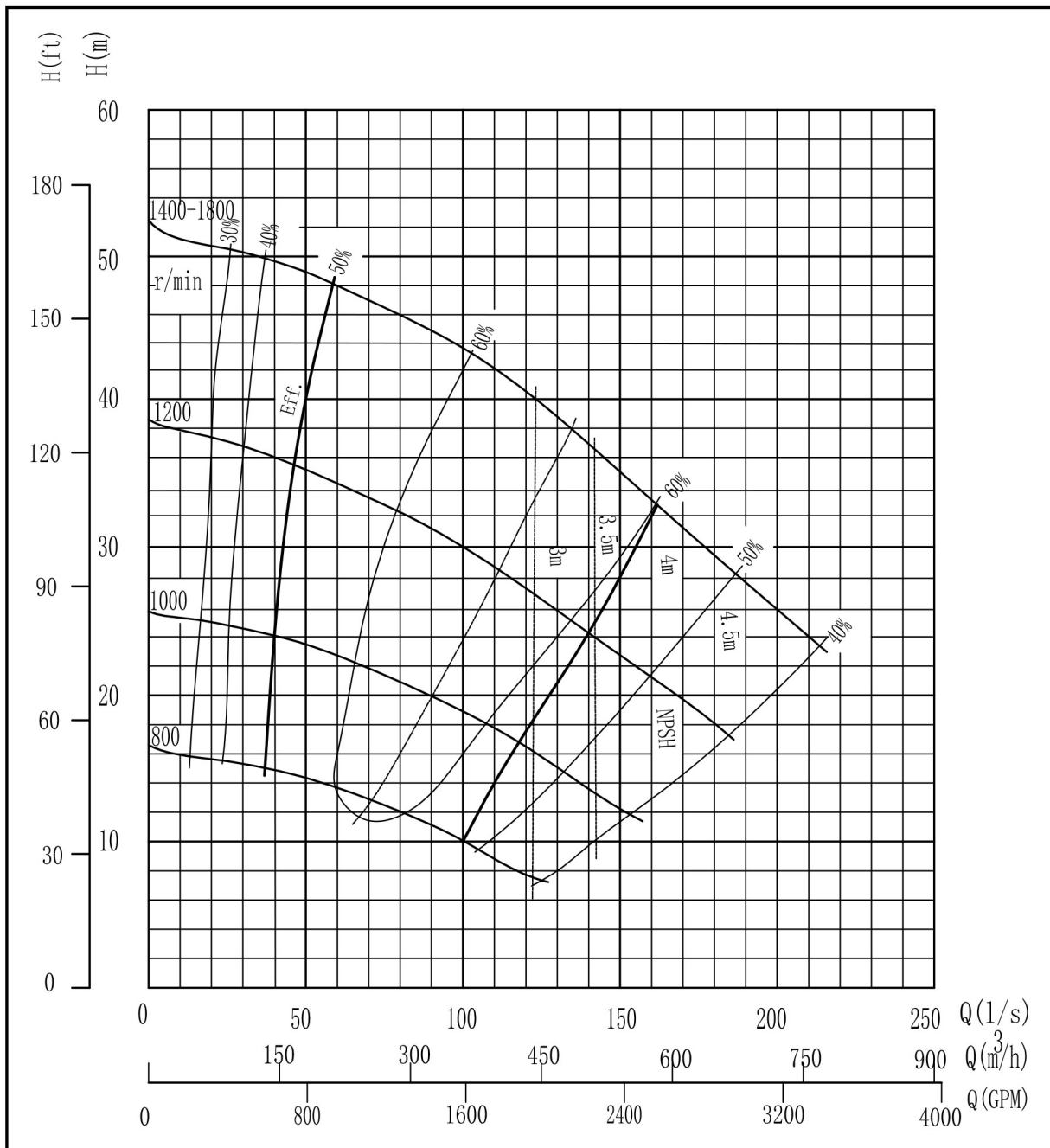
Page:
2

Receiver

From

Company name
Respons. Department
Person in charge
Phone number
Fax no
E-mail address

| Pump Model | Inlet | Outlet | Max. Power | | Max. Solid Passing | RPM |
|------------|-------|--------|------------|-----|--------------------|------|
| | in. | in. | hp | kW | in. | |
| AMG 8/6E | 8 | 6 | 160 | 120 | 5 | 1750 |



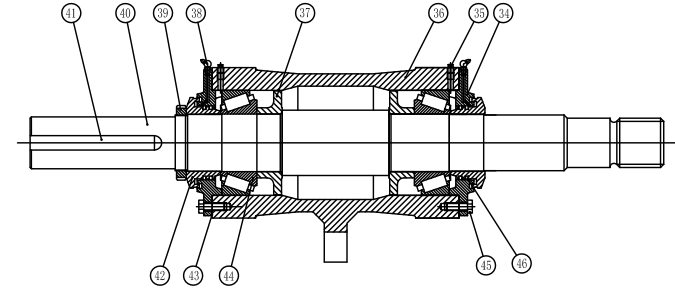
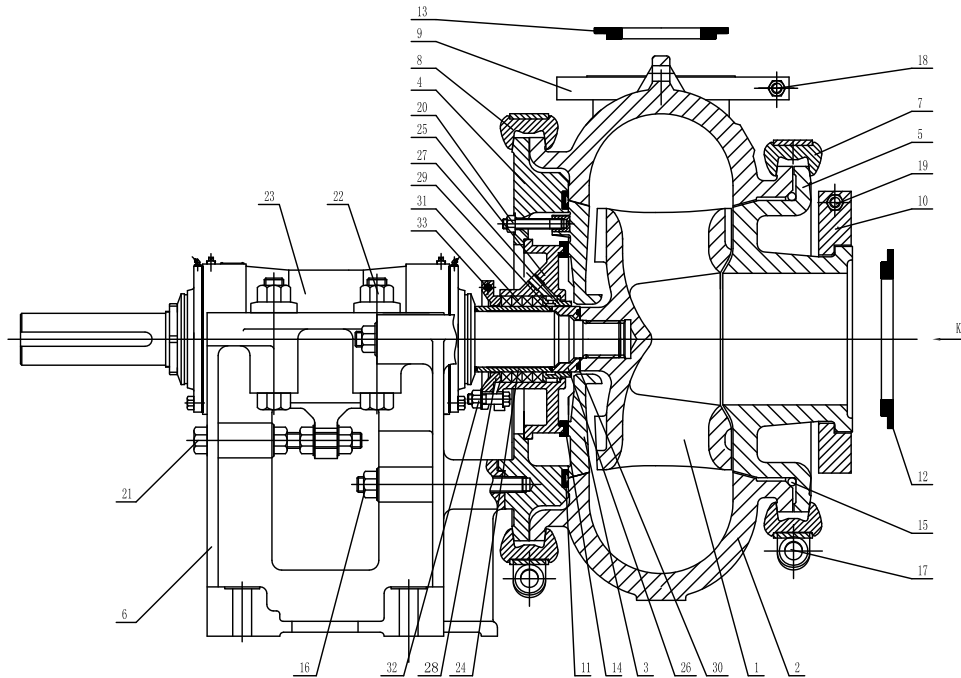
Project

Project ID

Created by

Created on

Last update



| Item | Parts No. | Parts Name | QTY | Material |
|------|-----------|------------------|-----|----------|
| 48 | E212 | Piston Ring | 4 | HT250 |
| 43 | E611 | Bolts | 16 | |
| 44 | E211 | Bearing | 2 | |
| 43 | E212 | End Cover Gasket | 1PC | |
| 42 | E205 | Labrinth | 2 | HT250 |
| 41 | E038 | Key | 1 | |
| 40 | E201M | Shaft | 1 | |
| 38 | E0207 | Lock Nut | 1 | |
| 38 | E114 | Grease Cup | 2 | |
| 37 | E204 | Grease Retainer | 2 | HT250 |
| 36 | E202M | Bearing House | 1 | HT250 |
| 35 | E04 | Plug | 2 | |
| 34 | E203 | End Cover | 2 | HT250 |

| | | | | | | | | | |
|----|-------|----------------------------|---------------|-------|--|--|--|--|--|
| | | Nuts | 2 | | | | | | |
| | | Bolts | 2 | | | | | | |
| 33 | E622 | Stuffing Gland Joint Bolts | 2Set | | | | | | |
| | | Washer | 2 | | | | | | |
| | | Nuts | 2 | | | | | | |
| | | Bolts | 2 | | | | | | |
| 32 | E607 | Stuffing Gland Bolts | 2Set | | | | | | |
| 31 | E113 | Packing | 4 | | | | | | |
| 30 | F406 | O Ring | 1 | | | | | | |
| 29 | E405 | O Ring | 2 | | | | | | |
| 28 | E107 | Stuffing Gland | 1 | HT250 | | | | | |
| 27 | E104 | Lantern Restrictor | 1 | | | | | | |
| 26 | E110 | Shaft Spacer | 1 | 3Cr13 | | | | | |
| 25 | E101 | Stuffing Box | 1 | HT250 | | | | | |
| 24 | E108 | Shaft Sleeve | 1 | | | | | | |
| 23 | E200M | Bearing Assembly | 1Set | | | | | | |
| | | E606 | Clamp Washers | 4 | | | | | |
| | | Nuts | 4 | | | | | | |
| | | Bolts | 4 | | | | | | |
| 22 | E605 | Clamp Bolts | 4Set | | | | | | |
| | | Washers | 2 | | | | | | |
| | | Nuts | 3 | | | | | | |
| | | Bolts | 1 | | | | | | |
| 21 | E604 | Adjusting Bolts | 1Set | | | | | | |

| | | Nuts | 4 | | | | | | |
|------|-----------|------------------------|------|----------|--|--|--|--|--|
| | | Studs | 4 | | | | | | |
| 20 | E6609 | Back Liner Studs | 4Set | | | | | | |
| | | Nuts | 2 | | | | | | |
| | | Bolts | 2 | | | | | | |
| 19 | E6635 | Incharge Flange Bolts | 2Set | | | | | | |
| | | Nuts | 2 | | | | | | |
| | | Bolts | 2 | | | | | | |
| 18 | E6635 | Discharge Flange Bolts | 2Set | | | | | | |
| | | Nuts | 8 | | | | | | |
| | | Bolts | 8 | | | | | | |
| 17 | E6634 | Clamp Bolts | 8Set | | | | | | |
| | | Nuts | 3 | | | | | | |
| | | Studs | 3 | | | | | | |
| 16 | E6603 | Adaptor Plate Studs | 3Set | | | | | | |
| 15 | E66403 | O Ring | 1 | | | | | | |
| 14 | E404 | Back Liner Seal | 1 | | | | | | |
| 13 | F6401 | Discharge Joint Ring | 1 | | | | | | |
| 12 | F6401 | Intake Joint Ring | 1 | | | | | | |
| 11 | E4403 | Volate Liner Seal | 1 | | | | | | |
| 10 | F8810 | Split Discharge Flange | 1 | | | | | | |
| 9 | E6810 | Split Discharge Flange | 1 | | | | | | |
| 8 | E6617 | Clamp Ring | 1Set | | | | | | |
| 7 | E6616 | Clamp Ring | 1Set | | | | | | |
| 6 | E800M | Base | 1 | HT250 | | | | | |
| 5 | E6005 | Door | 1 | Cr27MoNi | | | | | |
| 4 | E6606M | Adaptor Plate | 1 | HT250 | | | | | |
| 3 | E400M | Back Liner | 1 | Cr27MoNi | | | | | |
| 2 | E6602 | Bowl | 1 | Cr27MoNi | | | | | |
| 1 | E686001 | Impeller | 1 | Cr27MoNi | | | | | |
| Item | Parts No. | Parts Name | QTY | Material | | | | | |