



Technical Data

Horizontal Centrifugal Slurry Pump - GAZ40-1-A17

Revision no.

Page:

1

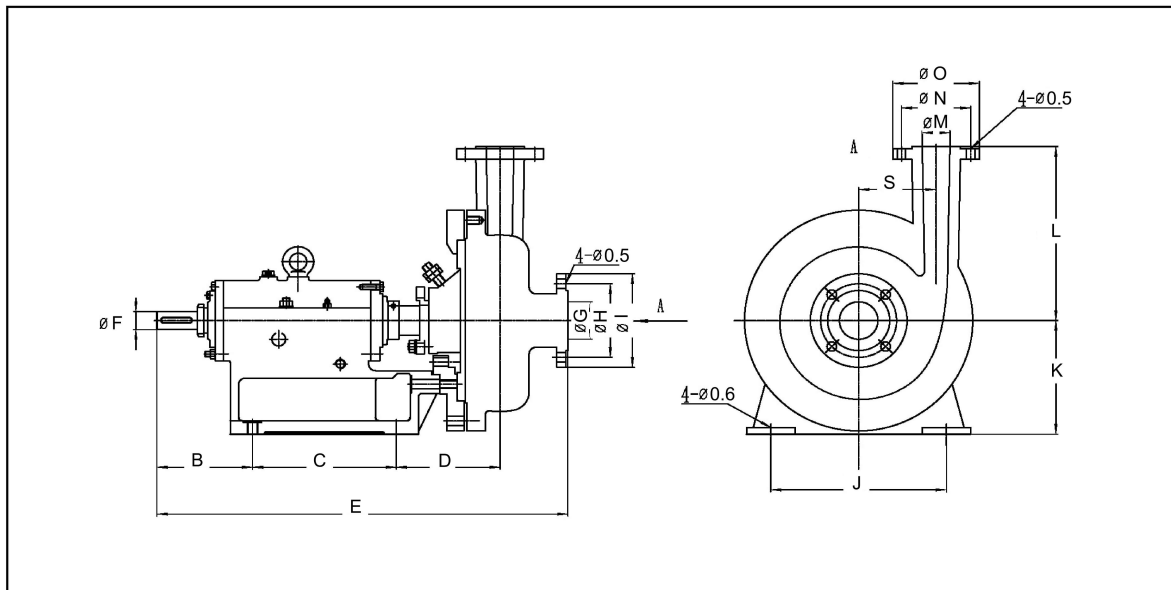
Receiver

From

 Company name
 Respons. Department
 Person in charge
 Phone number
 Fax no
 E-mail address


Brand: Gol Pumps
Model: GAZ40-1-A17

Dimensions:



Flange (inch)	
Inlet	Outlet
1.5	1.5

Pump Installation Size (inch)														
B	C	D	E	F	G	H	I	J	K	L	M	N	S	O
5.6	8.2	5.7	23.3	1	1.6	3.9	4.9	3.9	6.7	7.3	1.6	3.9	3.9	4.9

Project

Project ID

Created by

Created on

Last update



Performance Curve

Horizontal Centrifugal Slurry Pump - GAZ40-1-A17

Revision no.

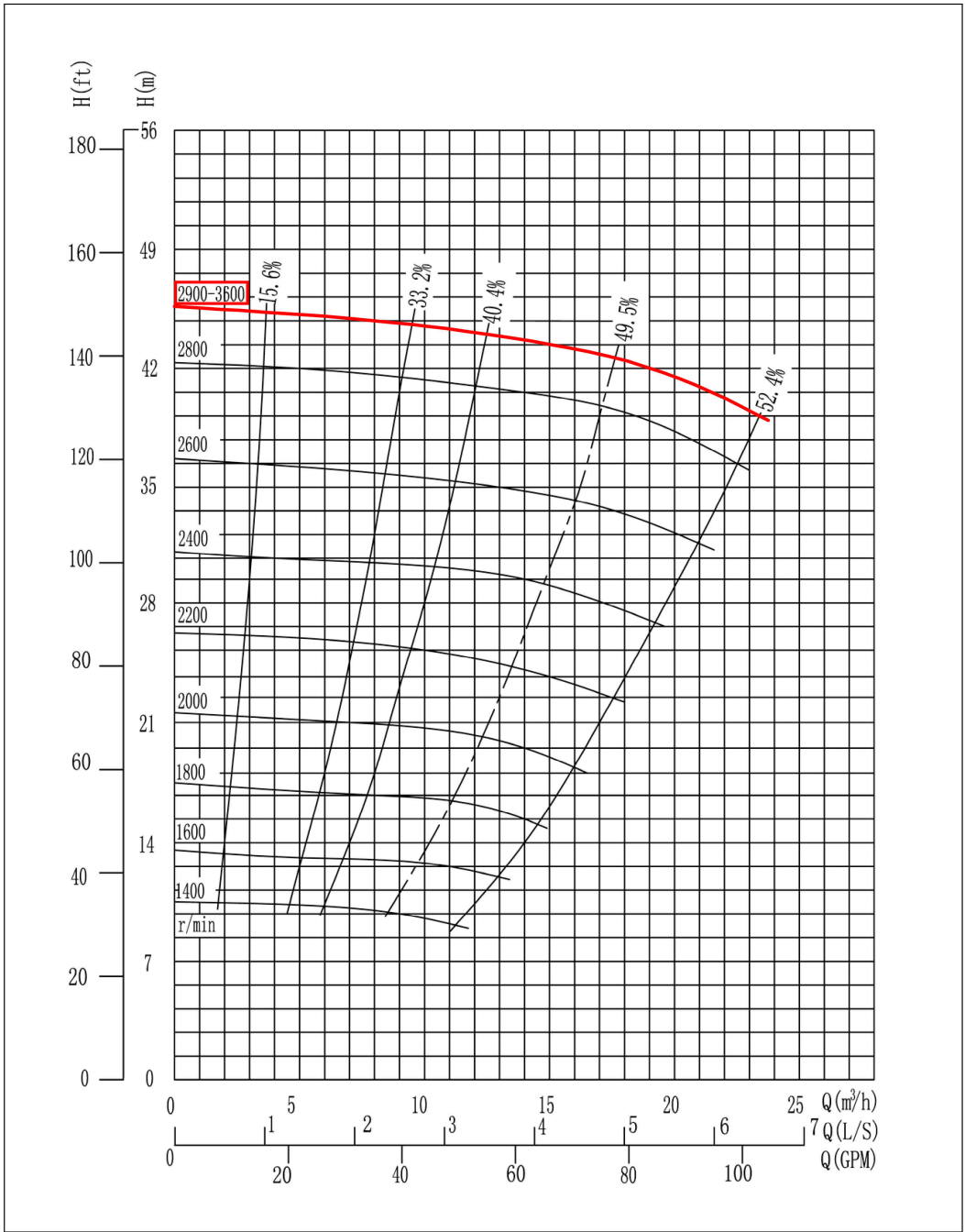
Page:
 2

Receiver

From

Company name
 Respons. Department
 Person in charge
 Phone number
 Fax no
 E-mail address

Model	Inlet	Outlet	Power		Max. Solid Passing	Revolutions
	in	in	hp	kw	in	rpm
GAZ40-1-A17	1.5	1.5	10	7.5	0.4	3600



Project	Project ID	Created by	Created on	Last update
---------	------------	------------	------------	-------------



Pump and Motor

Horizontal Centrifugal Slurry Pump - GAZ40-1-A17

Revision no.

Page:
 3

Receiver

From

Company name
 Respons. Department
 Person in charge
 Phone number
 Fax no
 E-mail address



Motor Type		TEFC
Nominal Voltage	V	230 - 460 - 3ph
Power Factor		0.85
Stator Current	A	20.4 / 12.3
Motor Power	HP	10
Frequency	HZ	60
Efficiency	%	90.2
Speed	RPM	1777
Protection Class	IP	55
Approx. Weight	LB	140
Manufacturer		WEG

Project	Project ID	Created by	Created on	Last update
---------	------------	------------	------------	-------------



Parts and Materials

Horizontal Centrifugal Slurry Pump - GAZ40-1-A17

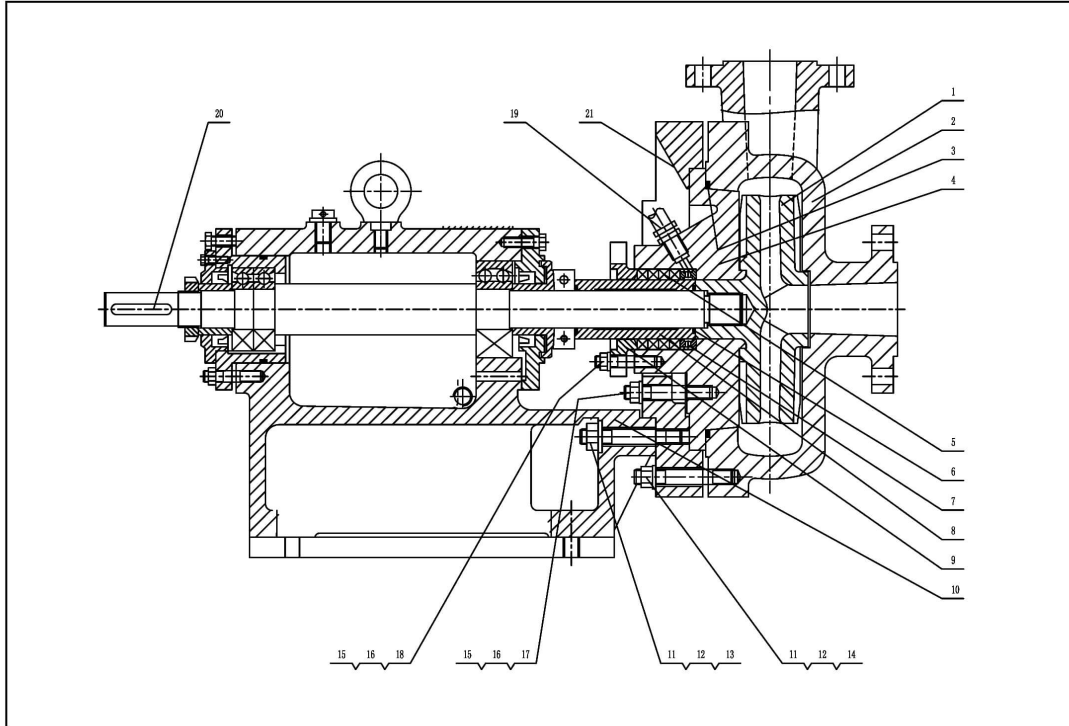
Revision no.

Page:

4

Receiver

From

 Company name
 Respons. Department
 Person in charge
 Phone number
 Fax no
 E-mail address


Item	Parts Name	Qty	Material
1	Impeller	1	Cr27MoNi
2	Volute Liner	1	Cr27MoNi
3	Seal Ring	1	Rubber
4	FPL Insert	1	Cr27MoNi
5	Packing	4	
6	Seal Ring	2	Rubber
7	Lantern Ring	1	
8	Shaft Sleeve	1	
9	Stuffing Gland	1	
10	Frame	1	
11	Washer	8	
12	Nuts	8	
13	Adjust Studs	4	
14	Frame Studs	4	
15	Washer	5	
16	Nuts	5	
17	Studs	3	
18	Studs	2	
19	Nipple	1	
20	Key	1	
21	End Bracket	1	

Project

Project ID

Created by

Created on

Last update