



Technical Data

Thermal Oil Pump - TKF-K 150-200

Revision no.

Page:
 1

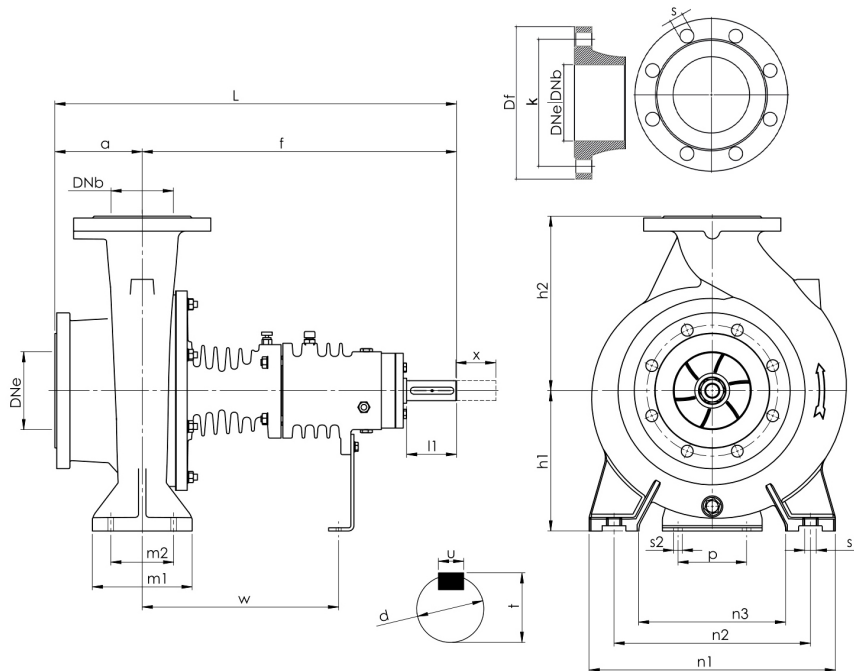
	Receiver	From
Company name		
Respons. Department		
Person in charge		
Phone number		
Fax no		
E-mail address		



Brand: Gol Pumps
Model: TKF-K 150-200

Weight (lb)
304

Dimensions:



Inlet and Outlet PN16 (inch)					
DNe	DNb	Df	k	s	n
7 3/4	6	11	9	0.9	8

Shaft Dimensions (inch)			
d	l1	t	u
1	3	1	0.4

TS EN 1092-2 * n: Number of holes

Pump Installation Size (inch)															
Outside						Supporting Foot								Spacing	
a	f	L	H	h1	h2	m1	m2	n1	n2	n3	s1	p	s2	w	x
6	20	27	25	11	14	8	6	20	16	12	0.9	4	0.6	13	7

* x: Minimum distance between motor and pump shafts to remove rotor from rear.

Project	Project ID	Created by	Created on	Last update
---------	------------	------------	------------	-------------



Performance Curves

Thermal Oil Pump - TKF-K 150-200

Revision no.

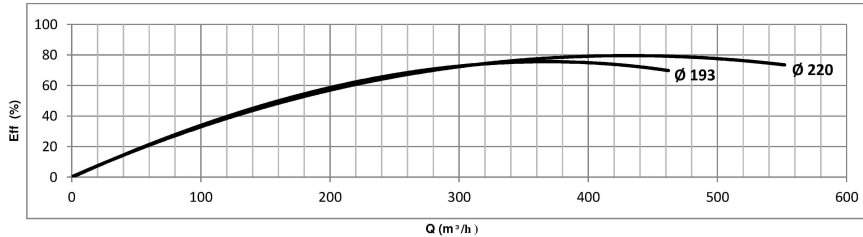
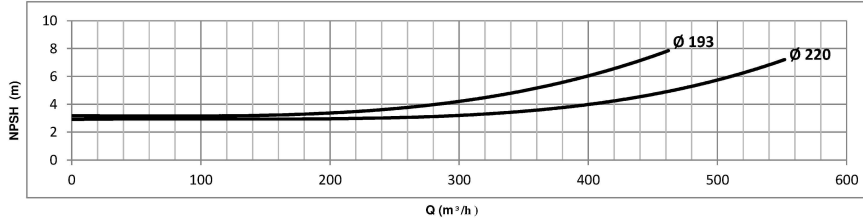
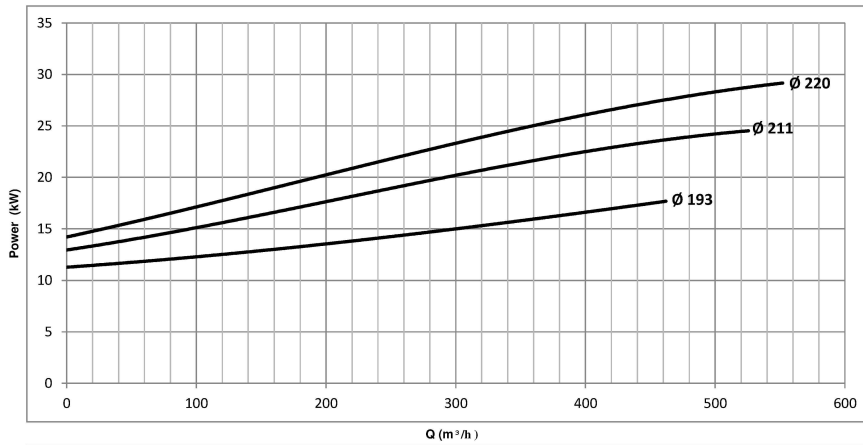
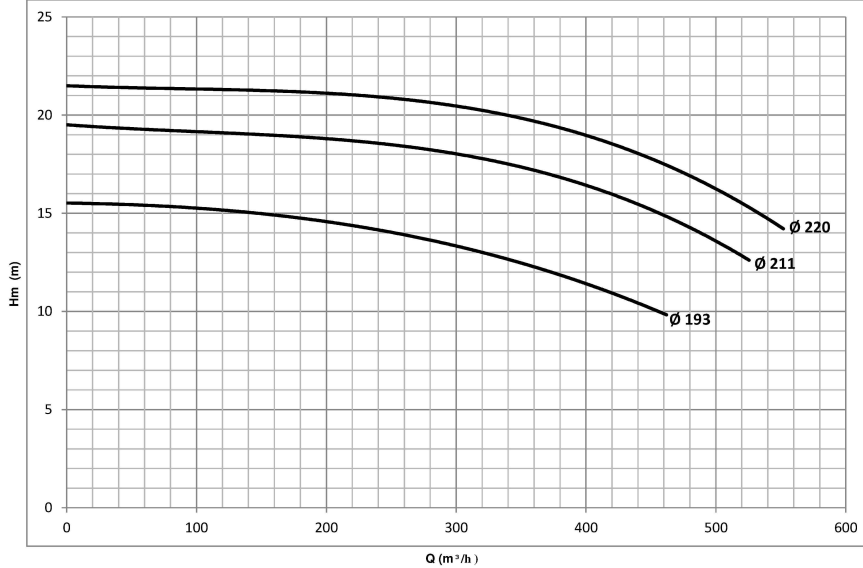
Page:
2

Receiver

From

Company name
Respons. Department
Person in charge
Phone number
Fax no
E-mail address

TKF 150-200 (1800RPM)



Project	Project ID	Created by	Created on	Last update
---------	------------	------------	------------	-------------



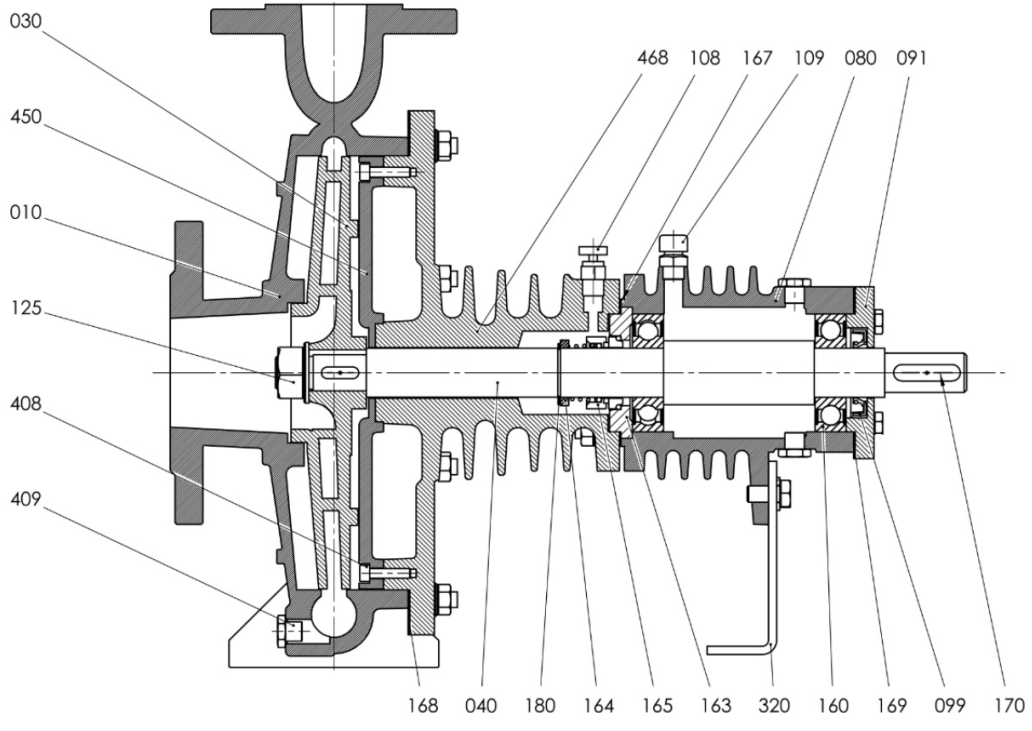
Parts List

Thermal Oil Pump - TKF-K 150-200

Revision no. _____

Page: 3

	Receiver	From
Company name		
Respons. Department		
Person in charge		
Phone number		
Fax no		
E-mail address		



Volute Casing	010
Impeller	030
Shaft	040
Bearing Housing	080
Bearing Cover	091
Oil Seal	099
Air Purge	108
Air Plug	109
Nut	125
Bearing	160
Mechanical Seal Cover	163
Mechanical Seal Setting Sleeve	164

Mechanical Seal	165
Mechanical Seal Gasket	167
Body Seal	168
Bearing Cover Gasket	169
Key	170
Shaft Ring	180
Supporting Feet	320
Bolt	408
Drain Plug	409
Wear Plate	450
Casing Cover	468

Project	Project ID	Created by	Created on	Last update