



# Technical Data

## Thermal Oil Pump - TKF-K 40-200

Revision no.

Page:

1

Receiver

From

 Company name  
 Respons. Department  
 Person in charge  
 Phone number  
 Fax no  
 E-mail address



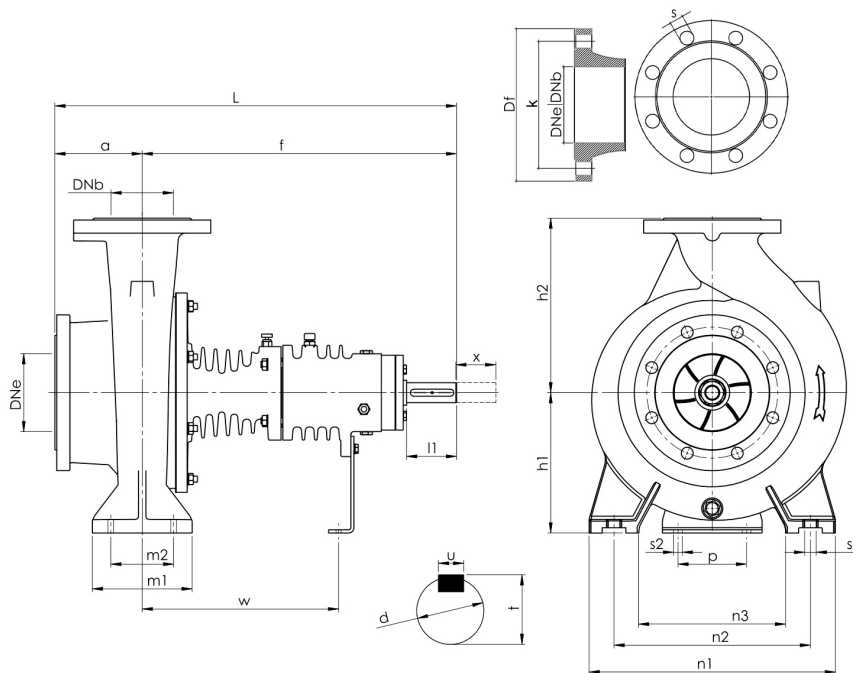


**Brand: Gol Pumps**  
**Model: TKF-K 40-200**

**Weight (lb)**

95

### Dimensions:



Inlet and Outlet PN16 (inch)					
DNe	DNb	Df	k	s	n
2 1/2	1 1/2	6	4	0.7	4

Shaft Dimensions (inch)			
d	l1	t	u
0.9	2	1	0.3

TS EN 1092-2 \* n: Number of holes

Pump Installation Size (inch)															
Outside						Supporting Foot								Spacing	
a	f	L	H	h1	h2	m1	m2	n1	n2	n3	s1	p	s2	w	x
4	15	17	13	6	7	4	3	10	8	6	0.6	4	0.6	10	4

\* x: Minimum distance between motor and pump shafts to remove rotor from rear.

Project

Project ID

Created by

Created on

Last update



# Performance Curves

## Thermal Oil Pump - TKF-K 40-200

Revision no.

Page:  
2

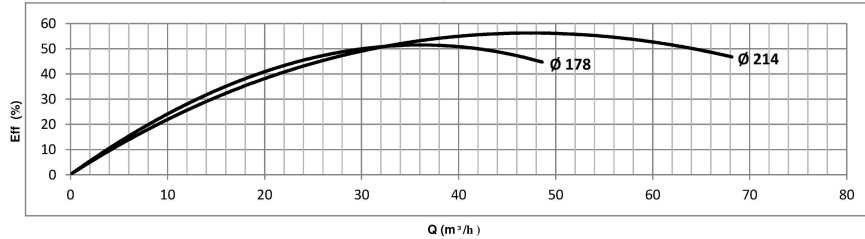
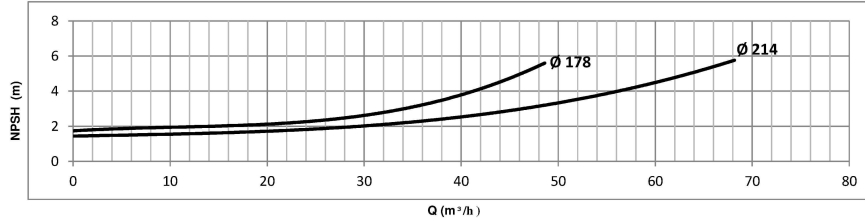
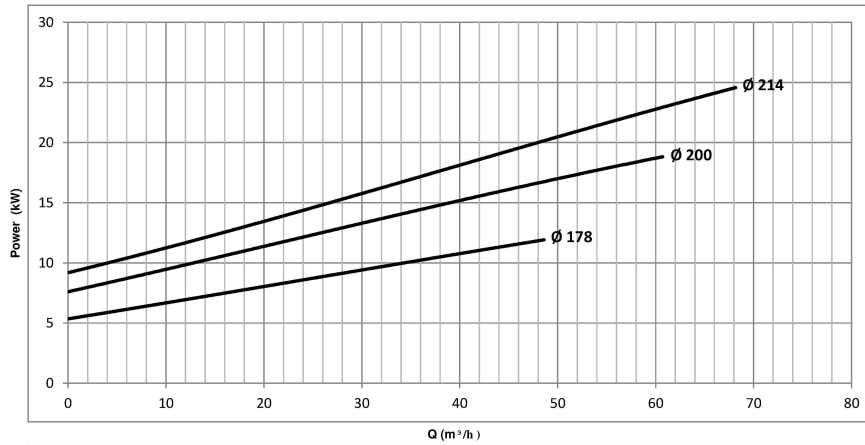
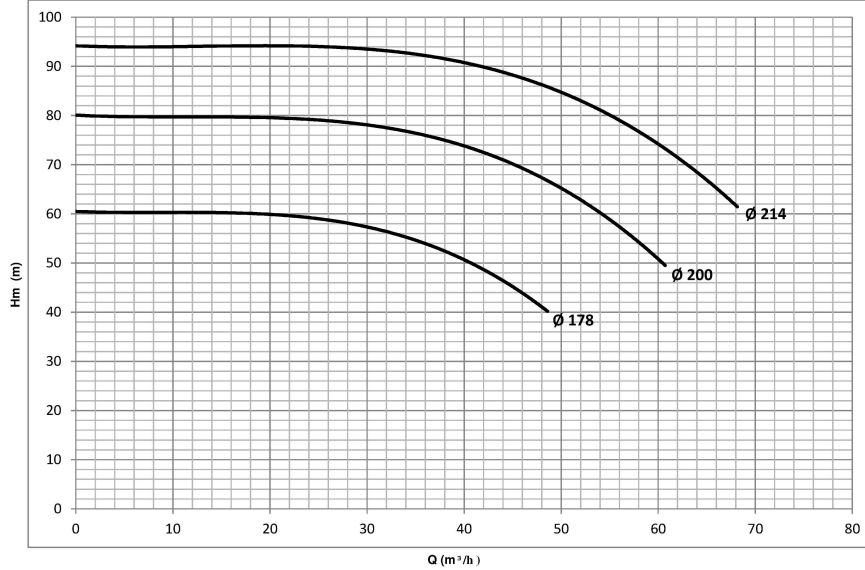
Receiver

From

Company name  
Respons. Department  
Person in charge  
Phone number  
Fax no  
E-mail address



**TKF 40-200 (3600RPM)**



Project

Project ID

Created by

Created on

Last update



# Parts List

## Thermal Oil Pump - TKF-K 40-200

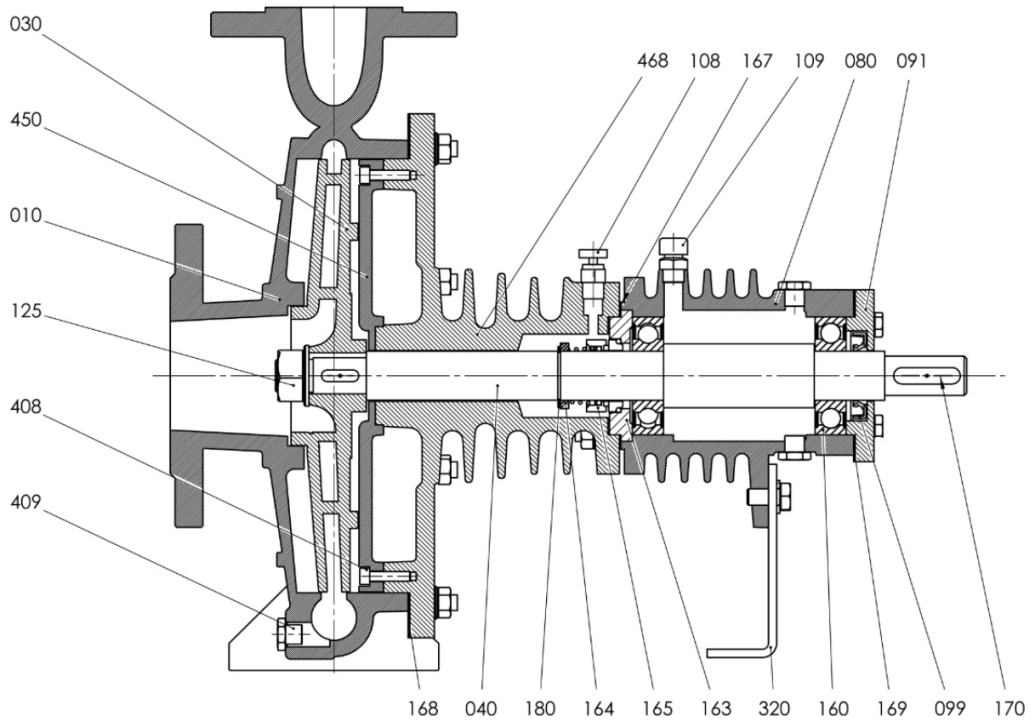
Revision no.

Page:  
3

Receiver

From

Company name  
Respons. Department  
Person in charge  
Phone number  
Fax no  
E-mail address



Volute Casing	010
Impeller	030
Shaft	040
Bearing Housing	080
Bearing Cover	091
Oil Seal	099
Air Purge	108
Air Plug	109
Nut	125
Bearing	160
Mechanical Seal Cover	163
Mechanical Seal Setting Sleeve	164

Mechanical Seal	165
Mechanical Seal Gasket	167
Body Seal	168
Bearing Cover Gasket	169
Key	170
Shaft Ring	180
Supporting Feet	320
Bolt	408
Drain Plug	409
Wear Plate	450
Casing Cover	468

Project

Project ID

Created by

Created on

Last update