



Technical Data

Vertical Multistage - SBI 5-11 Nema

Revision no.

Page:
1

Receiver

From

Company name
Respons. Department
Person in charge
Phone number
Fax no
E-mail address

| |
|--|
| |
| |
| |
| |
| |

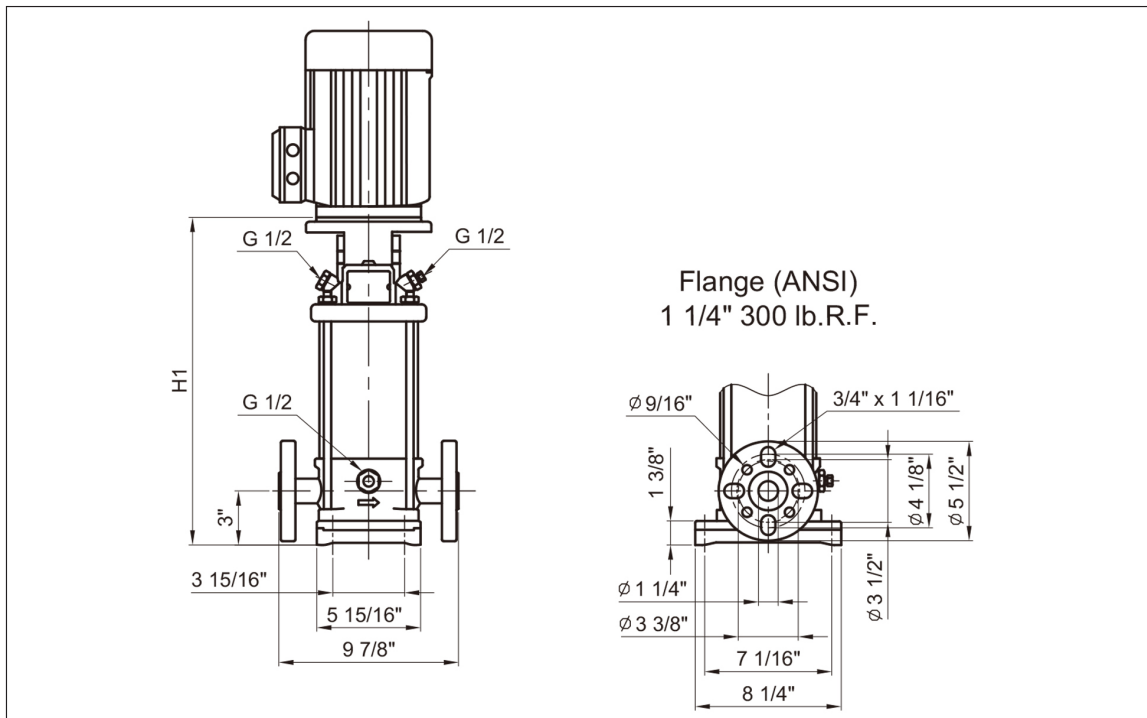
| |
|--|
| |
| |
| |
| |
| |



Brand: Gol Pumps
Model: SBI 5-11 Nema



Dimensions:



| Pump Installation Size (inch) | | | | |
|-------------------------------|-----------|-------|---------------------------|------------|
| ANSI Flange | Port Size | | NEMA Frame TEFC motors | Net Weight |
| | DNA | DNM | | Lb. |
| H1 | 1 1/4 | 1 1/4 | 182TC | 49.5 |

| | | | | |
|---------|------------|------------|------------|-------------|
| Project | Project ID | Created by | Created on | Last update |
|---------|------------|------------|------------|-------------|



Performance Curves

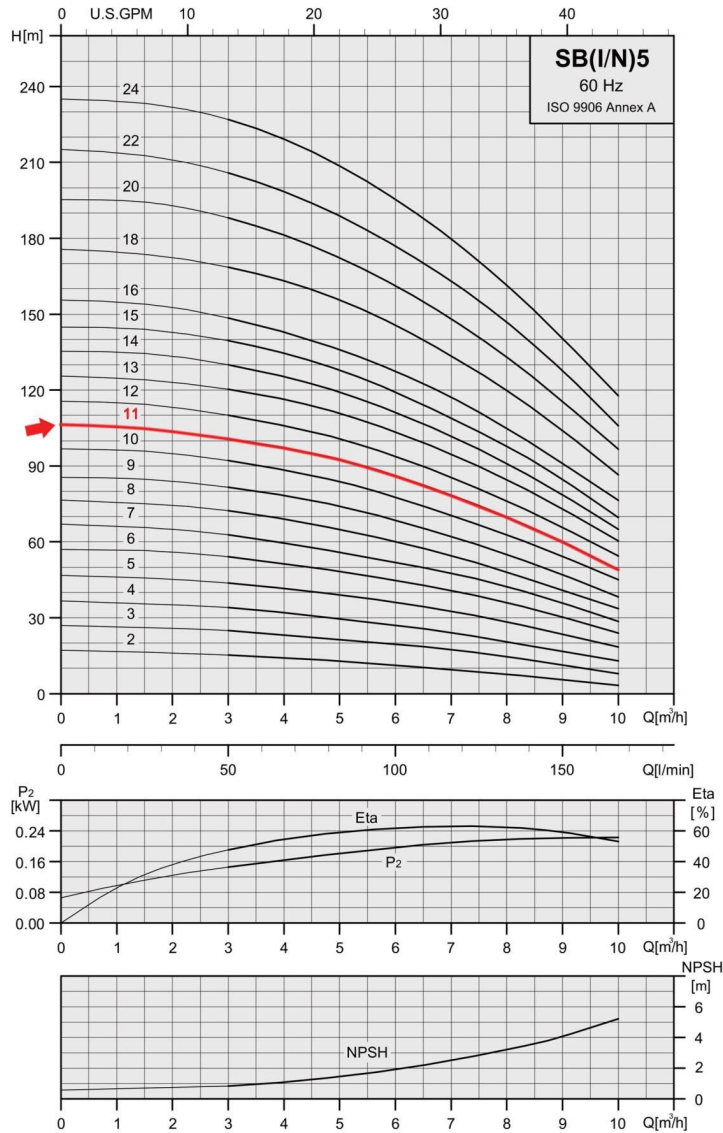
Vertical Multistage - SBI 5-11 Nema

Revision no. _____
 Page: 2

| Receiver | From |
|----------|------|
| | |
| | |
| | |
| | |
| | |
| | |

Company name _____
 Respons. Department _____
 Person in charge _____
 Phone number _____
 Fax no _____
 E-mail address _____

| Model | Port Size (in.) | | Flow | HP | Volts | Amps | Phase | Max. Head | Max. Suction | Max. PSI |
|-----------------|-----------------|-------|------|----|---------|----------|-------|-----------|--------------|----------|
| | DNA | DNM | GPH | | V | I Max. | Ph | Ft. | Ft. | |
| SBI 5-11 | 1 1/4 | 1 1/4 | 2640 | 4 | 220/440 | 11.4/6.1 | Three | 351 | 17 | 155 |



| | | | | |
|---------|------------|------------|------------|-------------|
| Project | Project ID | Created by | Created on | Last update |
|---------|------------|------------|------------|-------------|



Parts and Materials

Vertical Multistage - SBI 5-11 Nema

Revision no.

Page:
 3

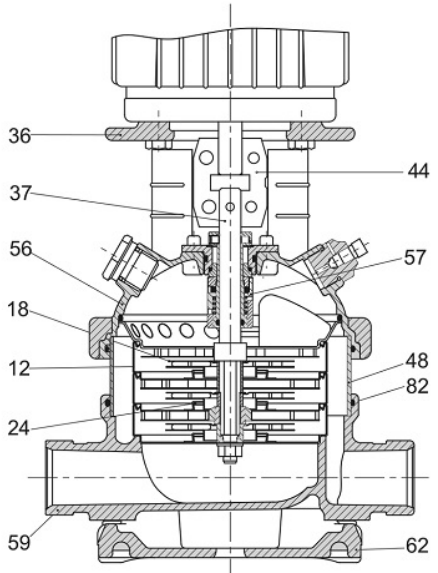
Receiver

From

Company name
 Respons. Department
 Person in charge
 Phone number
 Fax no
 E-mail address

| |
|--|
| |
| |
| |
| |
| |

| |
|--|
| |
| |
| |
| |
| |



| Parts List | Material | Standard |
|----------------------------|-----------------|---------------|
| 36 Pump Head | Cast Iron | ASTM 65-45-12 |
| 56 Pump Head Cover | Stainless Steel | AISI 304 |
| 18 Impeller | Stainless Steel | AISI 304 |
| 37 Shaft | Stainless Steel | AISI 304 |
| 48 Outer Sleeve | Stainless Steel | AISI 304 |
| 82 O-ring for Outer Sleeve | EPDM | |
| 12 Chamber | Stainless Steel | AISI 304 |
| 24 Neck Ring | PTFE | |
| 59 Base | Cast Iron | |
| 62 Base Plate | Cast Iron | ASTM 25B |
| 44 Coupling | Fe-Cu-C | MPIF FC0525 |
| 57 Mechanical Seal | Cartridge Type | |

| | | | | |
|---------|------------|------------|------------|-------------|
| Project | Project ID | Created by | Created on | Last update |
|---------|------------|------------|------------|-------------|