



Technical Data

Vertical Multistage - SBI 5-9 Nema

Revision no.

Page:
1

Receiver

From

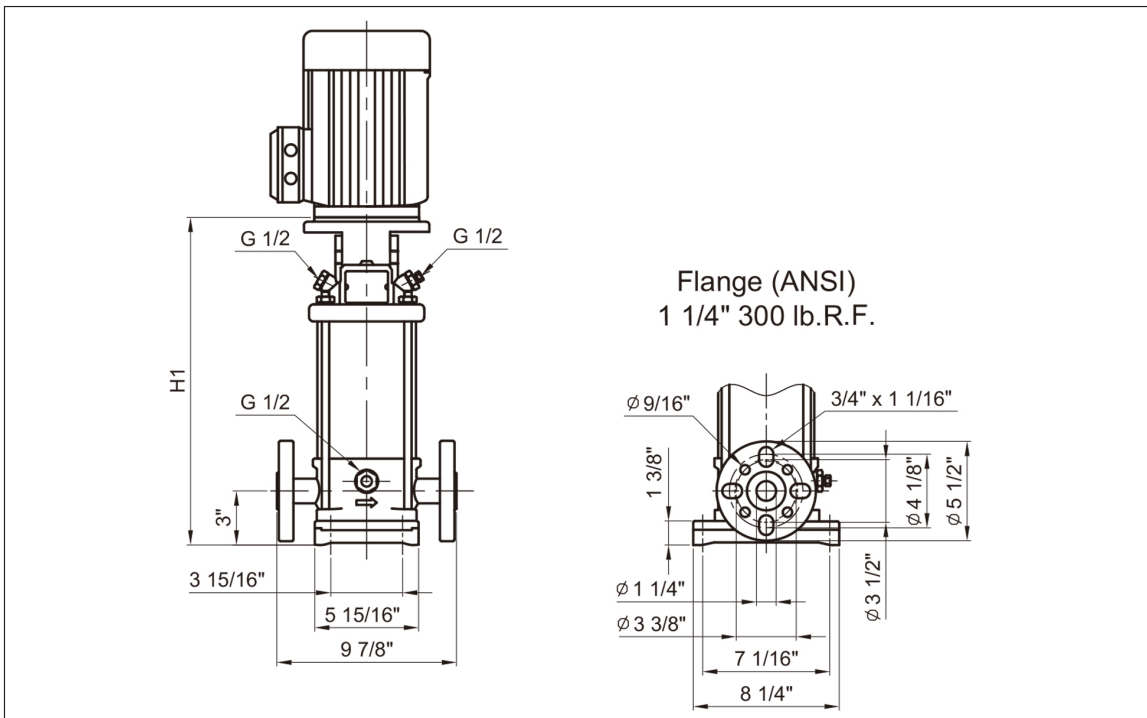
Company name
Respons. Department
Person in charge
Phone number
Fax no
E-mail address



Brand: Gol Pumps
Model: SBI 5-9 Nema



Dimensions:



Pump Installation Size (inch)				
ANSI Flange	Port Size		NEMA Frame TEFC motors	Net Weight
	DNA	DNM		Lb.
H1	1 1/4	1 1/4	182TC	47.1

Project	Project ID	Created by	Created on	Last update
---------	------------	------------	------------	-------------



Performance Curves

Vertical Multistage - SBI 5-9 Nema

Revision no.

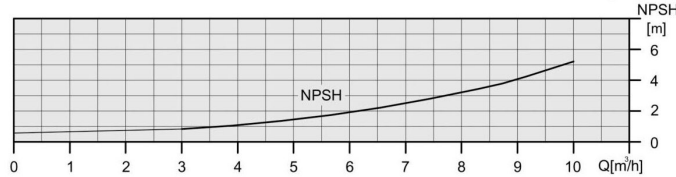
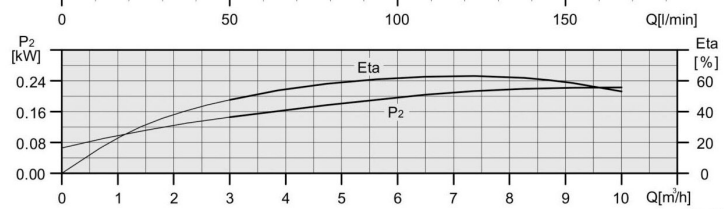
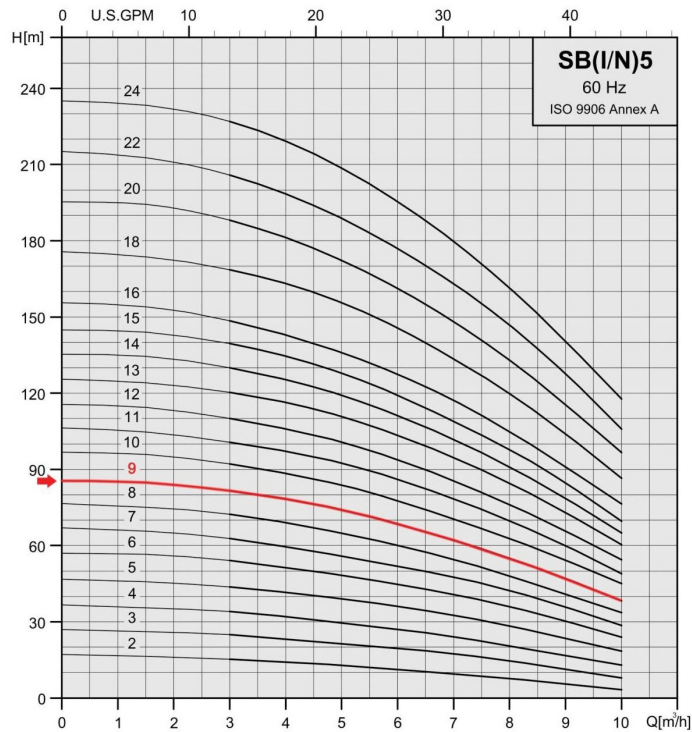
Page:
2

Receiver

From

Company name
Respons. Department
Person in charge
Phone number
Fax no
E-mail address

Model	Port Size (in.)		Flow	HP	Volts	Amps	Phase	Max. Head	Max. Suction	Max. PSI
	DNA	DNM	GPH		V	I Max.	Ph	Ft.	Ft.	
SBI 5-9	1 1/4	1 1/4	2640	3	220/440	8.6/4.6	Three	282	17	124



Project	Project ID	Created by	Created on	Last update
---------	------------	------------	------------	-------------



Parts and Materials

Vertical Multistage - SBI 5-9 Nema

Revision no.

Page:
 3

Receiver

From

Company name
 Respons. Department
 Person in charge
 Phone number
 Fax no
 E-mail address

	Parts List	Material	Standard
	36 Pump Head	Cast Iron	ASTM 65-45-12
	56 Pump Head Cover	Stainless Steel	AISI 304
	18 Impeller	Stainless Steel	AISI 304
	37 Shaft	Stainless Steel	AISI 304
	48 Outer Sleeve	Stainless Steel	AISI 304
	82 O-ring for Outer Sleeve	EPDM	
	12 Chamber	Stainless Steel	AISI 304
	24 Neck Ring	PTFE	
	59 Base	Cast Iron	
	62 Base Plate	Cast Iron	ASTM 25B
	44 Coupling	Fe-Cu-C	MPIF FC0525
	57 Mechanical Seal	Cartridge Type	

Project	Project ID	Created by	Created on	Last update
---------	------------	------------	------------	-------------