



**GoI Pumps Technology Company**  
Supply, Import, Export Water Pumps

# Vortex Impeller Pumps XV Series

**60HZ**



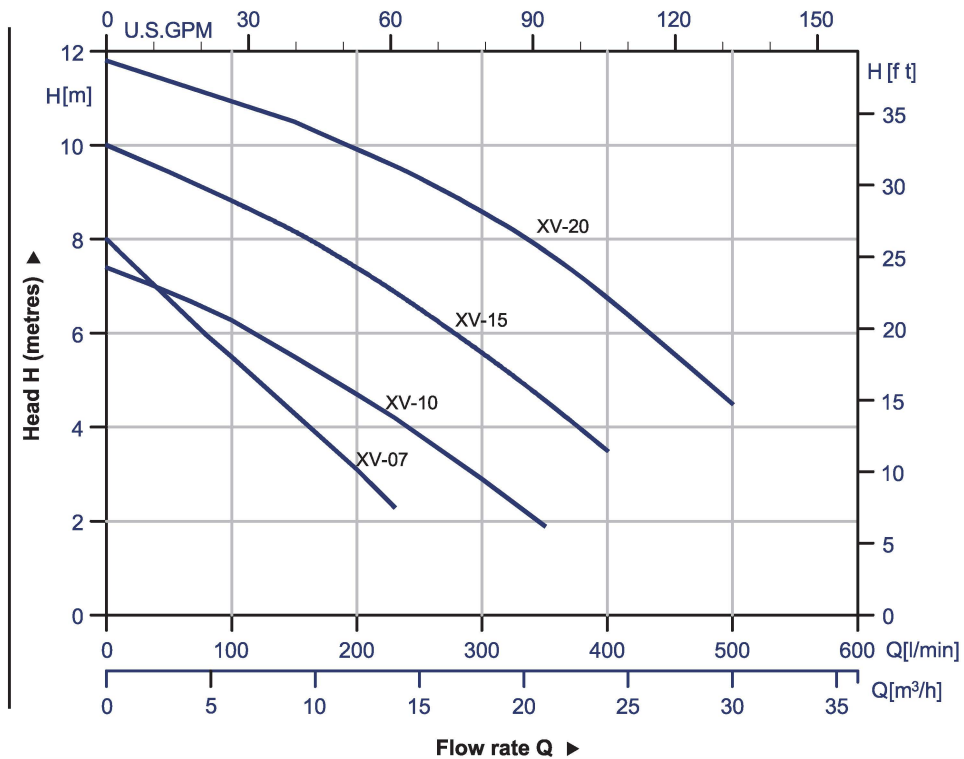
### General Data/Material



<b>Operating Conditions</b>	<b>Applications</b>	Emptying of septic tanks and residential sumps.
	<b>Fluid Temperature</b>	0 to 35°C
<b>Motor</b>	<b>Type</b>	Dry Type
	<b>Pole</b>	2-pole
	<b>Insulation</b>	Class F
	<b>Protection</b>	IP68
	<b>Protection Device</b>	Thermal Protector (single phase)
<b>Pump</b>	<b>Impeller</b>	Vortex Impeller
	<b>Shaft Seal/Material</b>	Double seals
	<b>Bearing</b>	Double-shielded Ball Bearing

Component	Material
Cable	H07RN-F
Handle	AISI 304+Nylon
Motor Cover	AISI 304
Motor Casing	AISI 304
Fixing Ring	AISI 304
Pump Body	AISI 304
Mechanical seal	Sic/Sic/NBR
Impeller	AISI 304
Key	AISI 304
Pump Casing	AISI 304
Oil Seal	NBR
Shaft	AISI 304
V-type Axial Oil Seal	NBR
Suction flange	AISI 304

### Characteristic curves N= 3450 rpm

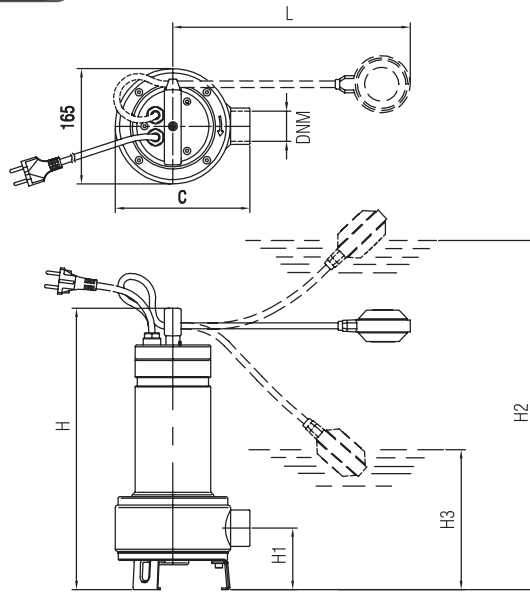


### Specifications

Model	Power HP (kW)	Discharge inch	Phase (Voltage)	Standard		Max		Solid Passage mm	Cable M
				Head M	Capacity LPM	Head M	Capacity LPM		
XV-07	0.75(0.55)	RP1 1/2"	1 $\phi$ 220V-230V/3 $\phi$ 220V-230V/380V-400V	5.9	80	8	230	35	5
XV-10	1.0(0.75)	RP 2"	1 $\phi$ 220V-230V/3 $\phi$ 220V-230V/380V-400V	6.3	100	7.4	350	50	10
XV-15	1.5(1.1)	RP 2"	1 $\phi$ 220V-230V/3 $\phi$ 220V-230V/380V-400V	8.8	100	10	400	50	10
XV-20	2.0(1.5)	RP 2"	3 $\phi$ 220V-230V/380V-400V	10.5	150	11.8	500	50	10

Auto Float Switches are available in Single-phase

### Dimensions and Weights



#### SINGLE-PHASE

Model	Dimension (mm)							
	H	H1	H2	H3	L	C	DNM	N.W. kg
XV-07	403	88	483	185	350	193	RP1 1/2"	11
XV-10	486	111.5	566	268	350	198	RP 2"	14
XV-15	486	111.5	566	268	350	198	RP 2"	15

#### THREE-PHASE

Model	Dimension (mm)				
	H	H1	C	DNM	N.W. kg
XV-07	403	88	193	RP1 1/2"	11
XV-10	436	111.5	198	RP 2"	12
XV-15	486	111.5	198	RP 2"	14
XV-20	486	111.5	198	RP 2"	15



**Gol Pumps Technology Company**  
*Supply, Import, Export Water Pumps*

---

## **Gol Pumps Technology**

[www.golpumpstechnology.com](http://www.golpumpstechnology.com)

**Our Address:** 6520 NW 77th CT, Miami FL 33166, USA

**Sales DPT:** +1 786 615 8984

**After Sales Service:** +1 786 452 9775

**Fax:** +1 786 615 7043

**Email:** [info@golpumps.com](mailto:info@golpumps.com)

