



Technical Data

End Suction Pump - EAZS100/40-75004

Revision no.

Page:

1

Receiver

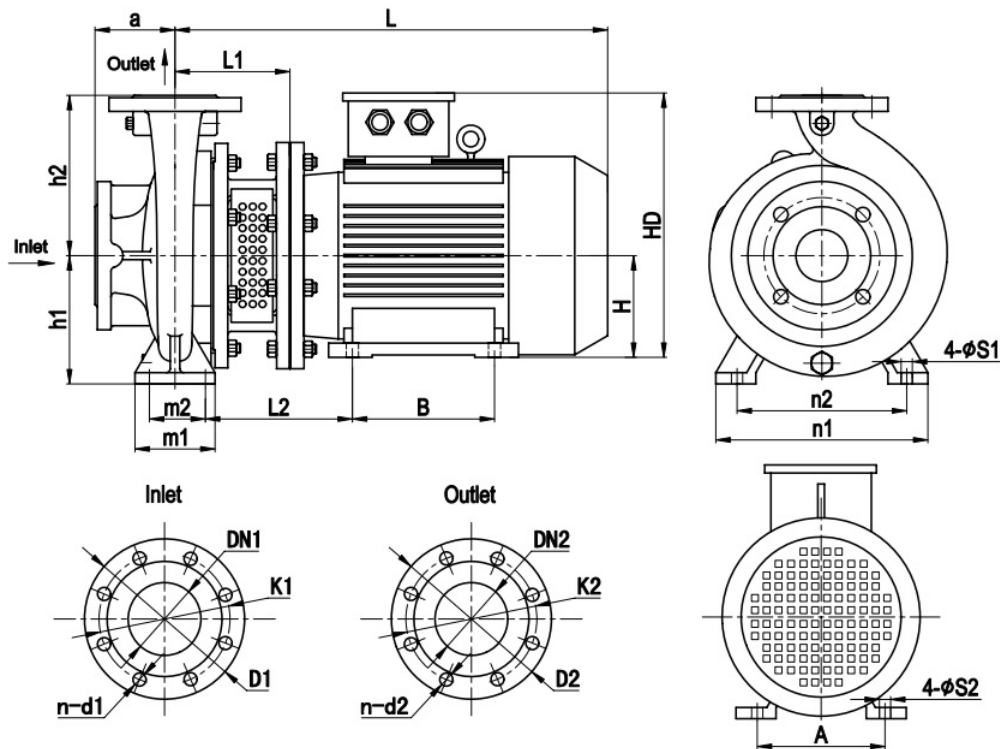
From

 Company name
 Respons. Department
 Person in charge
 Phone number
 Fax no
 E-mail address

Brand: Gol Pumps
Model: EAZS100/40-75004

Motor (B35)	
Model	hp
Y2-280S-4	100

Weight (lb)		
Pump	Motor	Pump & motor
384	1199	1583

Dimensions:


ISO7005.2 DIN2501 PN16 GB/T17241.6 PN1.6									
DN1 / DN2	1.25	1.5	2	2.5	3	4	5	6	8
D1 / D2	5.51	5.91	6.50	7.28	7.87	8.66	9.84	11.22	13.39
K1 / K2	3.94	4.33	4.92	5.71	6.30	7.09	8.27	9.45	11.61
n-d1 / n-d2	4-Ø18	4-Ø18	4-Ø18	4-Ø18	8-Ø18	8-Ø18	8-Ø18	8-Ø22	12-Ø22

Inlet and outlet flange	
DN1	DN2
5	4

Pump installation size (inch)															
a	h1	h2	L1	L2	L	A	B	H	HD	m1	m2	n1	n2	S1	S2
5.51	11.02	13.98	11.18	15.71	44.45	17.99	14.49	11.02	26.77	7.87	5.91	19.69	15.75	0.91	0.94

Project

Project ID

Created by

Created on

Last update



Performance Curves

End Suction Pump - EAZS100/40-75004

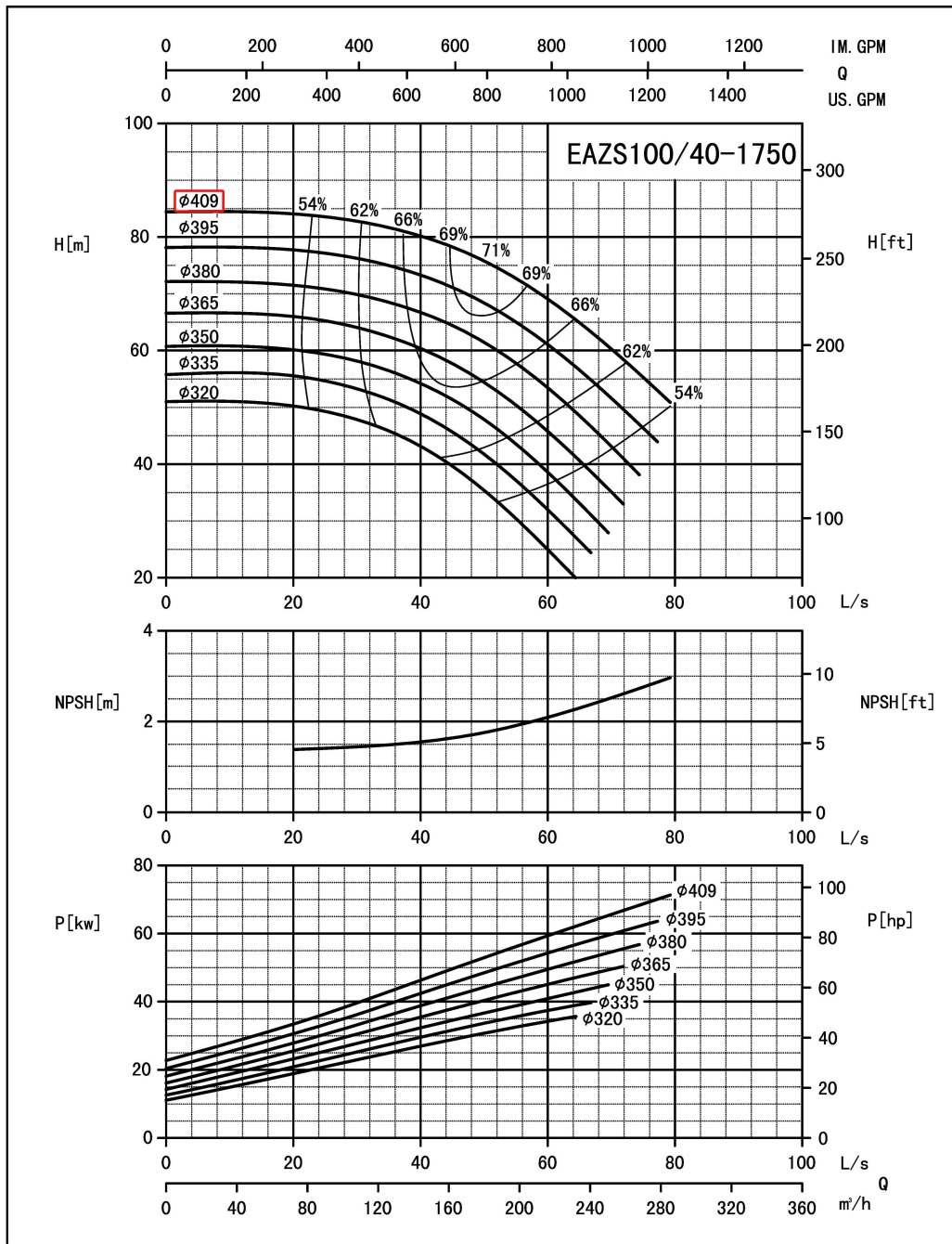
Revision no.

Page:
 2

Receiver From

Company name
 Respons. Department
 Person in charge
 Phone number
 Fax no
 E-mail address

Model	Capacity		Head ft	Speed r/min	Power (kw)		Motor (hp)	Efficiency %	Impeller Diam. inch	(NPSH) r ft
	m ³ /h	gpm			Shaft	Motor				
EAZS100/40-75004	109.5	482.1	271.4	1750	39.8	45	60	62	16.1	4.9
	182.5	803.5	247.5		52.8	75	100	71		5.9
	219	964.1	224.6		60.5	75	100	67.5		6.9



Performance to ISO9906 Grade 2 for clean cold water only

EF•A01/1406

Project	Project ID	Created by	Created on	Last update
---------	------------	------------	------------	-------------